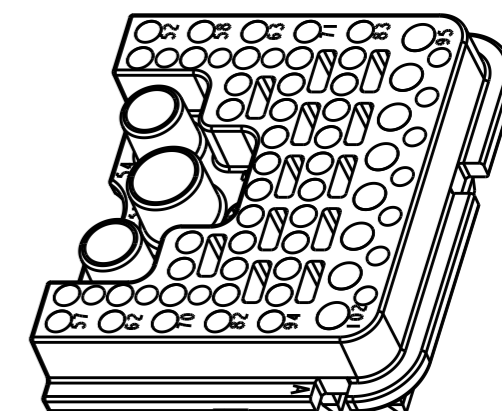
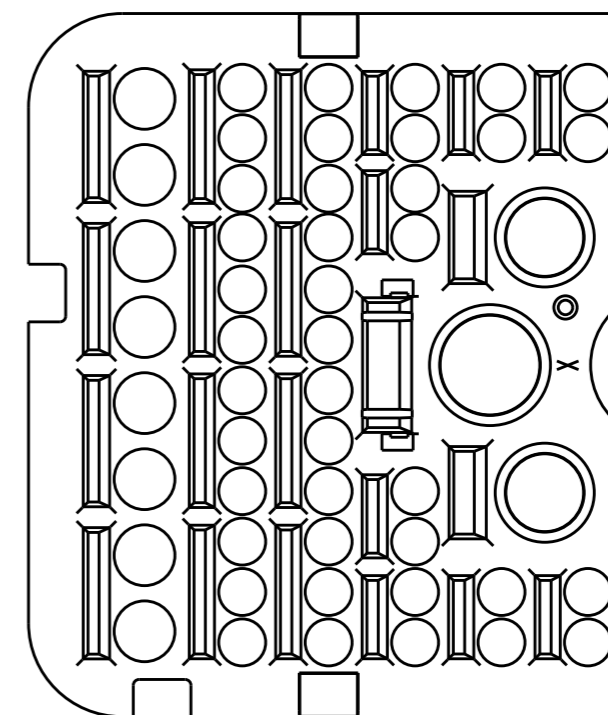
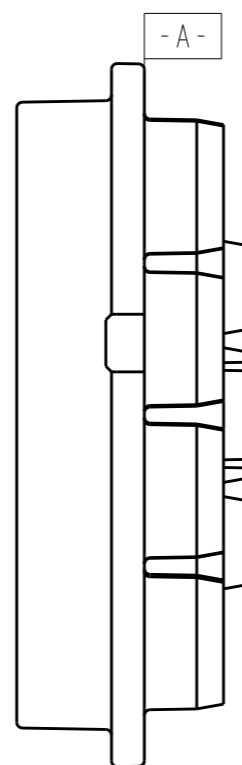
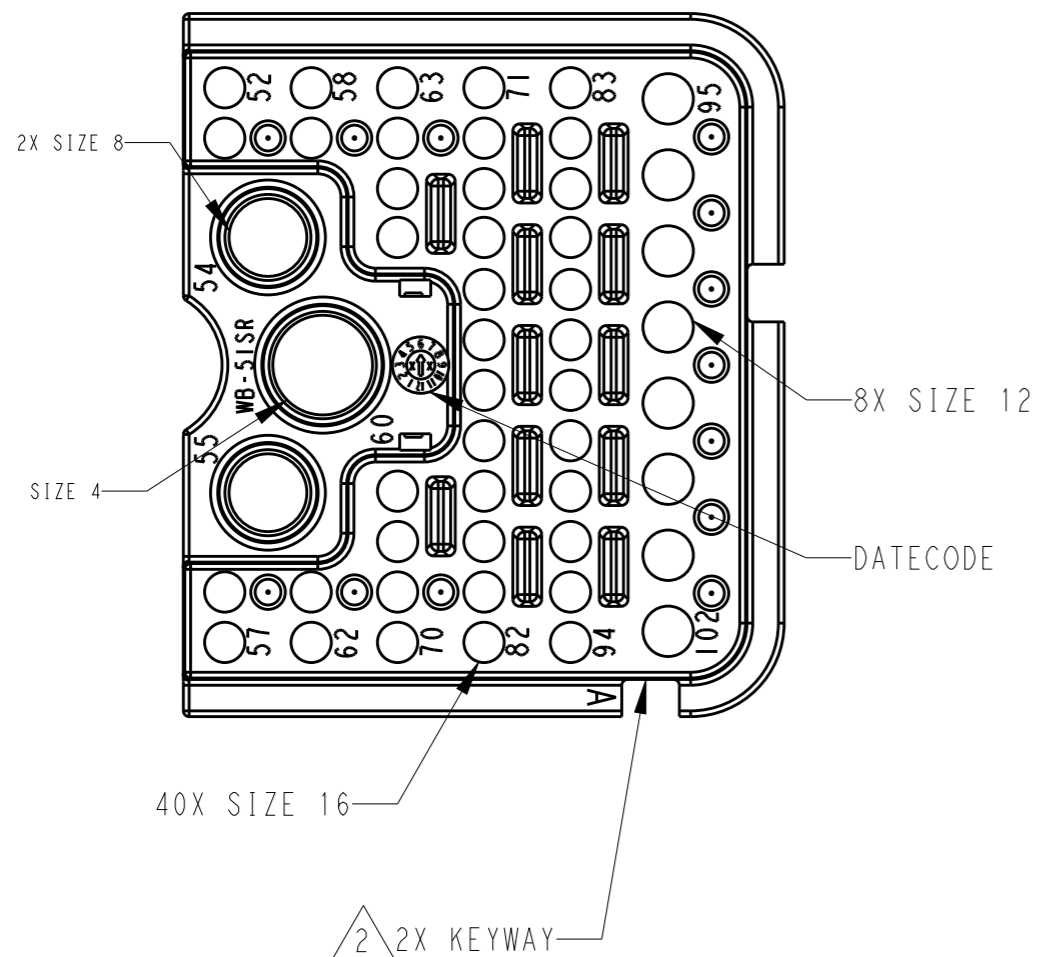



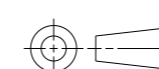
P	LTR	DESCRIPTION	DATE	DWN	APVD
	NC	NEW RELEASE PER E.O. P21196	18NOV2011	JA	RDR
	A	REVISED PER E.O. P21520	18DEC2012	PC	DM
	A1	REVISED PER PCN E-19-016899	21OCT2019	CO	RM



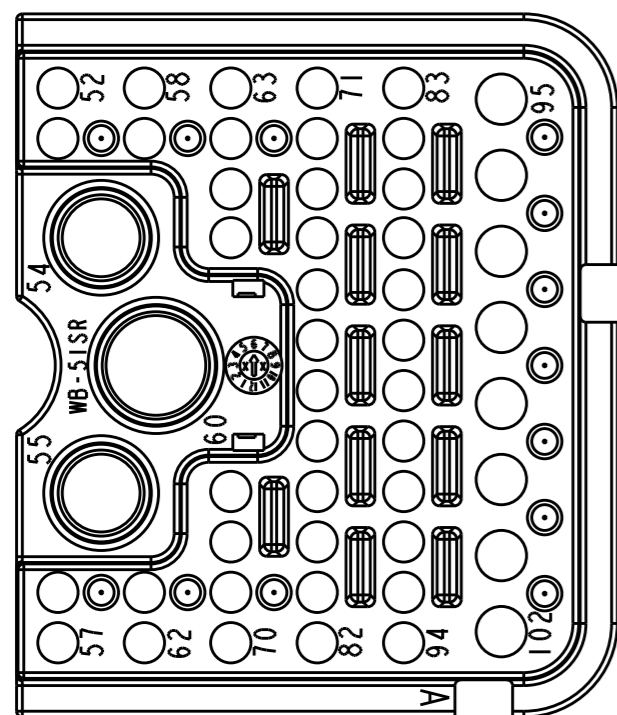
TE INTERNAL PN	DEUTSCH PN	COLOR
WB-51SAR	WB-51SAR	GREY
WB-51SBR	WB-51SBR	BLACK
WB-51SCR	WB-51SCR	GREEN
WB-51SDR	WB-51SDR	BROWN

2 SEE SHEET 2 FOR KEY ARRANGEMENTS.

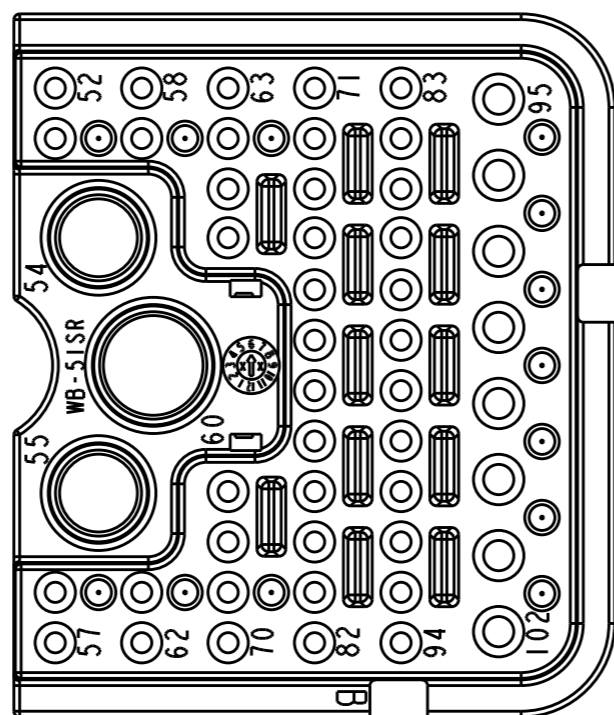
1. THIS WEDGE LOCK MATES WITH DRB16-102S*(N)E-**** PLUG (**** = ALL MODIFICATIONS), *=A,B,C,D KEYS

THIS DRAWING IS A CONTROLLED DOCUMENT.		DWN J. APOSTAL 14DEC2012	 TE Connectivity	
DIMENSIONS: INCHES [mm]		CHK P. CARNAHAN 18DEC2012		
		APVD D. MEYER 18DEC2012	NAME WEDGE LOCK, PLUG, RIGHT A THRU D KEY 51 CONTACTS DRB SERIES	
TOLERANCES UNLESS OTHERWISE SPECIFIED: 0 PLC ±- 1 PLC ±- 2 PLC ±- 3 PLC ±0.025 [0.64] 4 PLC ±- ANGLES ±-		PRODUCT SPEC 108-151021	RESTRICTED TO	
MATERIAL PBT GF30		FINISH -	APPLICATION SPEC -	SIZE A3
		WEIGHT 34 GR	CAGE CODE 11139	DRAWING NO WB-51SXR
		CUSTOMER DRAWING	SCALE 3:2	SHEET 1 OF 2
				REV A1

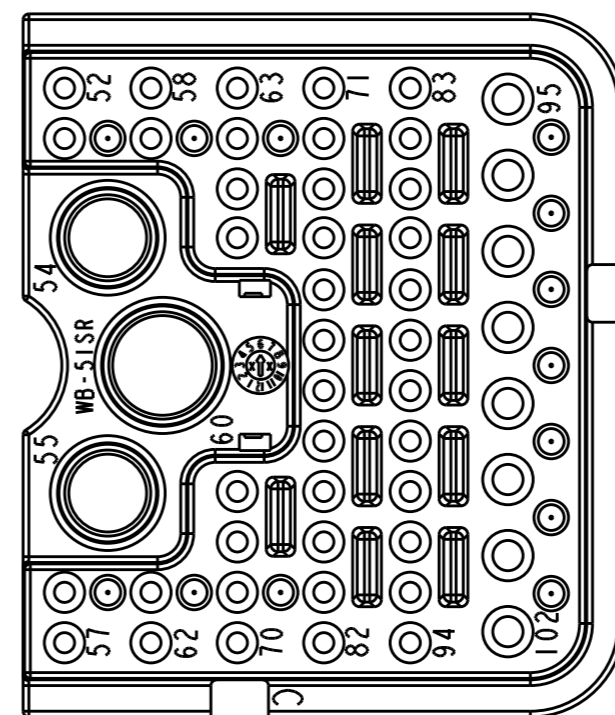
P	LTR	DESCRIPTION	DATE	DWN	APVD
-		SEE SHEET 1	-	-	-



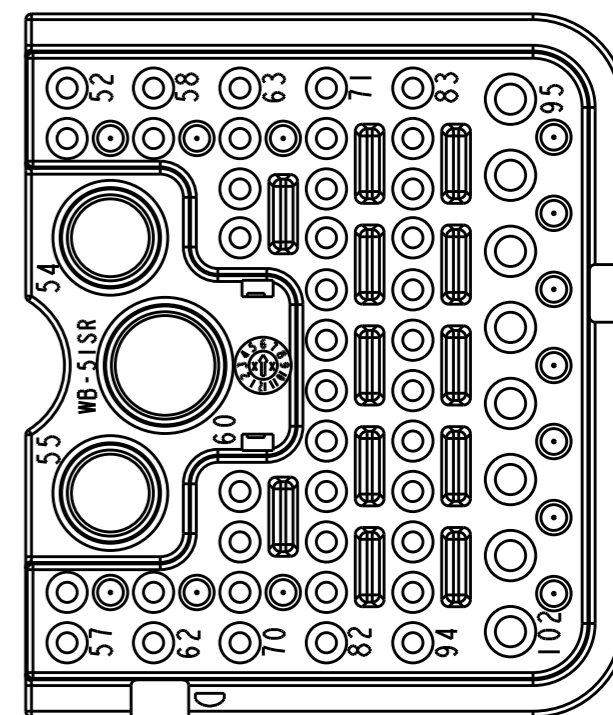
WB-51SAR
KEY: A
GRAY



WB-51SBR
KEY: B
BLACK


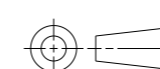


WB-51SCR
KEY: C
GREEN



WB-51SDR
KEY: D
BROWN

NOTE: SEE SHEET 1

THIS DRAWING IS A CONTROLLED DOCUMENT.		DWN J. APOSTAL 14DEC2012			
DIMENSIONS: INCHES [mm]		CHK P. CARNAHAN 18DEC2012			
TOLERANCES UNLESS OTHERWISE SPECIFIED:		APVD D. MEYER 18DEC2012	NAME WEDGE LOCK, PLUG, RIGHT A THRU D KEY 51 CONTACTS DRB SERIES		
		PRODUCT SPEC 108-151021	RESTRICTED TO		
MATERIAL PBT GF30		APPLICATION SPEC -	SIZE A3	CAGE CODE 11139	DRAWING NO WB-51SXR
FINISH -		WEIGHT 34 GR	SCALE 3:2	SHEET 2 OF 2	REV A1
		CUSTOMER DRAWING			

X-ON Electronics

Largest Supplier of Electrical and Electronic Components

Click to view similar products for [Automotive Connectors](#) category:

Click to view products by [TE Connectivity](#) manufacturer:

Other Similar products are found below :

[003-018-000](#) [60403001](#) [60993906-B](#) [M902-2131](#) [M902-2161](#) [72.330.1035.1](#) [73.353.4028.0](#) [F119300-B](#) [F166900](#) [F258300-B](#) [F358300-B](#)
[F407400](#) [F444110](#) [F487000](#) [F509500B-B](#) [827153-1](#) [8N1515-32-24P](#) [9-1326729-8](#) [925474-1](#) [928905-1](#) [964562-4](#) [968782-1](#) [GT17SA-8DS-](#)
[HU](#) [98891-1012](#) [98947-1016](#) [12004147](#) [12004475-L](#) [12010290](#) [12010309-B](#) [12015454](#) [12020219-B](#) [12020308](#) [12041318-B](#) [12052225-L](#)
[12052466](#) [12059125](#) [12064869](#) [12004327-B](#) [12010503-B](#) [12015308](#) [12015384](#) [12015909](#) [1-21030-1](#) [12041254](#) [12041318](#) [12047946-B](#)
[12047957](#) [12047957-L](#) [12059473](#) [12066261](#)