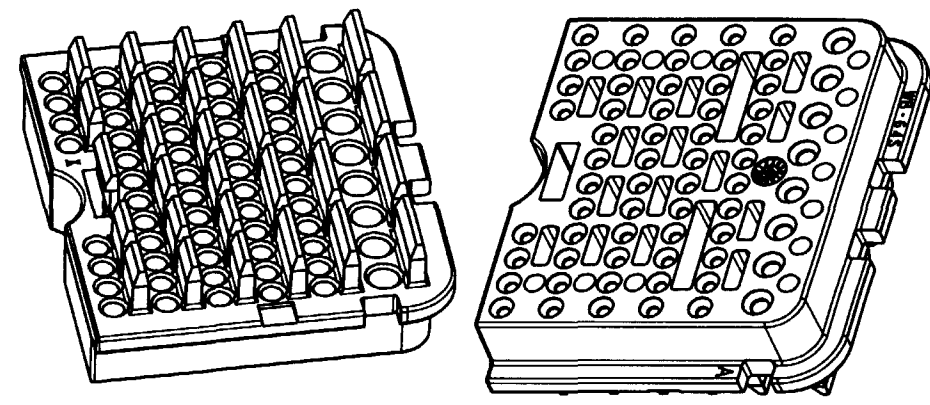
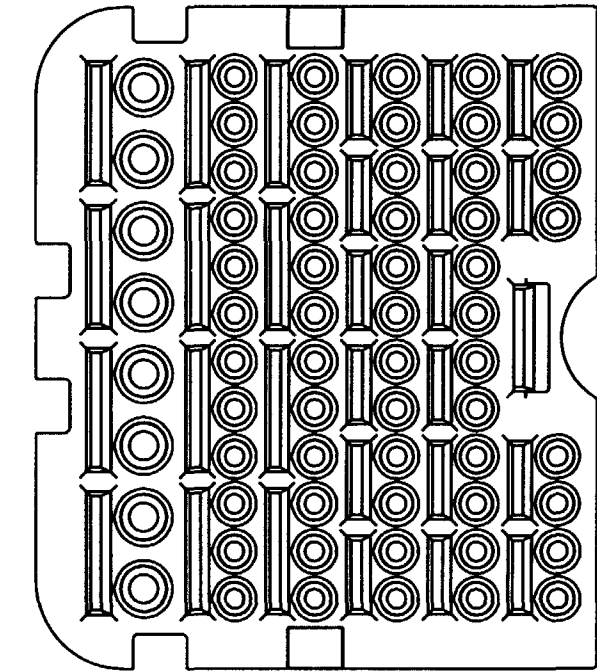
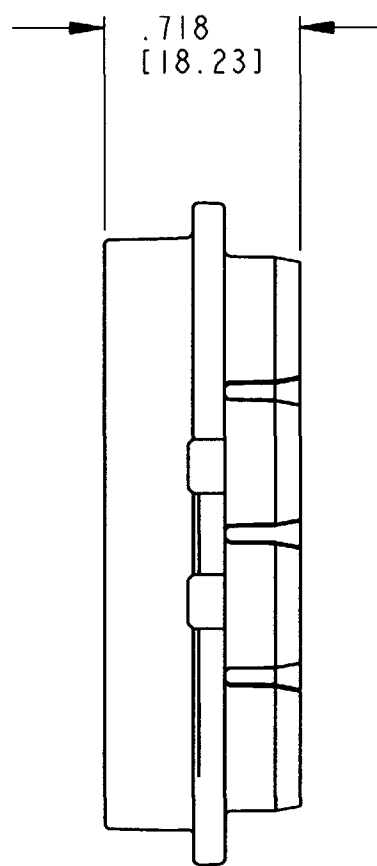
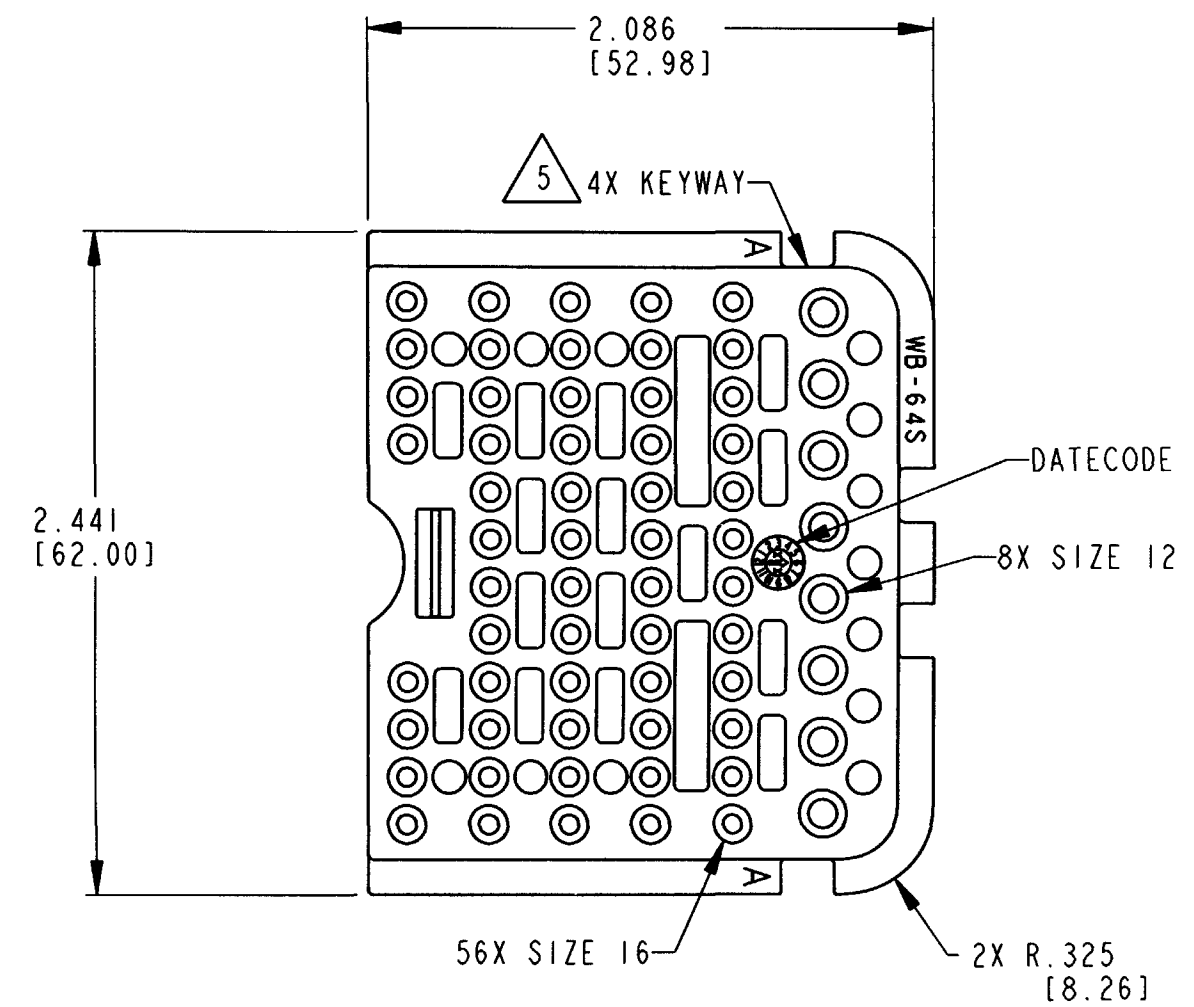


REV
A **WB-64S***

REVISIONS			
SYM	DESCRIPTION	DATE	APPROVED
NC	NEW RELEASE PER E.O. P20345	10/15/09	R.D.R.
A	REVISED PER E.O. P20365	12-15-09	RWR



PART NUMBER	COLOR
WB-64PA	GREY
WB-64PB	BLACK
WB-64PC	GREEN
WB-64PD	BROWN

- 5. SEE SHEET 2 FOR OTHER KEY ARRANGMENTS.
 - 4. MATERIAL: PLASTIC
 - 3. THIS WEDGE LOCK IS USED IN DRB16-128S*(N)E-**** PLUG (*= A,B,C,D KEYS; **** = ALL MODIFICATIONS). CONSULT FACTORY FOR MODS.
 - 2. DIMENSION TOLERANCE: ±.025 [.64].
 - 1. DIMENSIONS ARE IN INCHES [mm].
- NOTES: UNLESS OTHERWISE SPECIFIED.

SIGNATURE & DATE	
DR	P. CARNAHAN 10/8/09
CHK	D. Meyer 12/15/09
PE	Paula Brown 12/3/09
APPD	R. Roe 12-15-09
SCALE NONE	WT

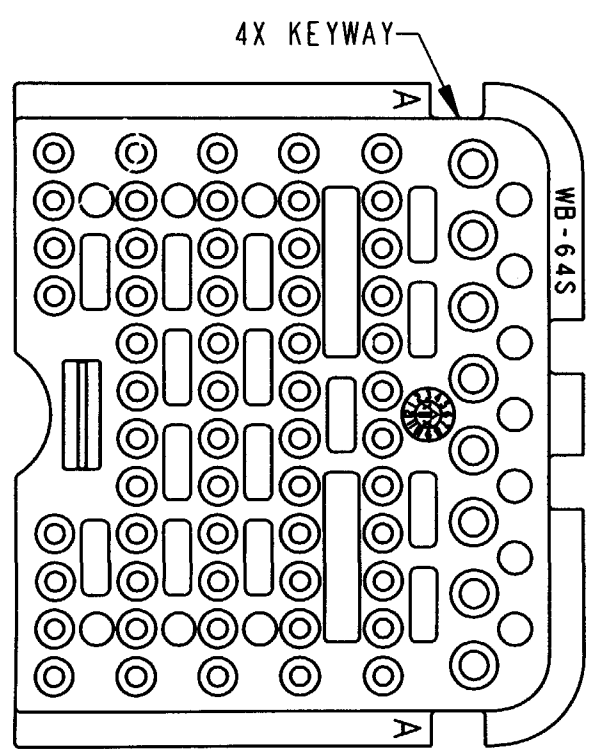
WEDGE LOCK, PLUG
"A THRU D" KEYS
64 CONTACTS
DRB SERIES

ENVELOPE

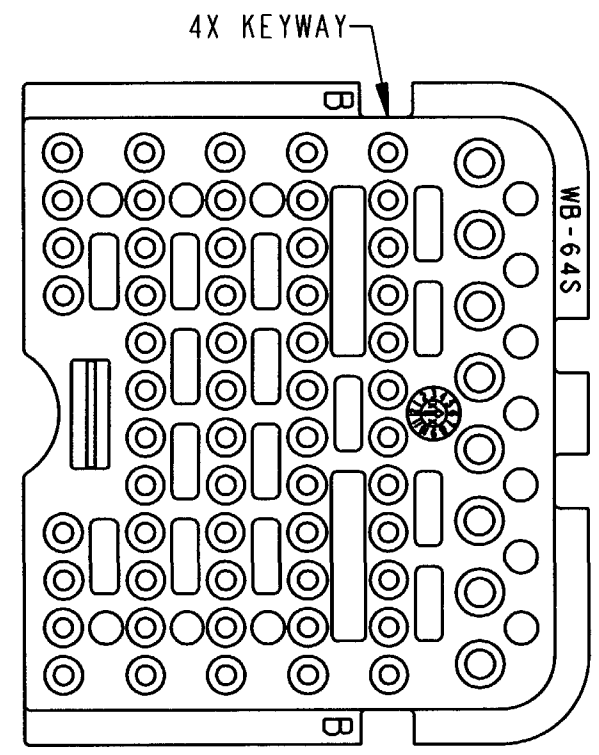
EP	EP 202	MATL. CODE
3850 INDUSTRIAL AVE. HEMET, CA 92545		
B		WB-64S*
DWG SIZE	CODE 11139	SHEET 1 OF 2

REV
A **WB-64S***

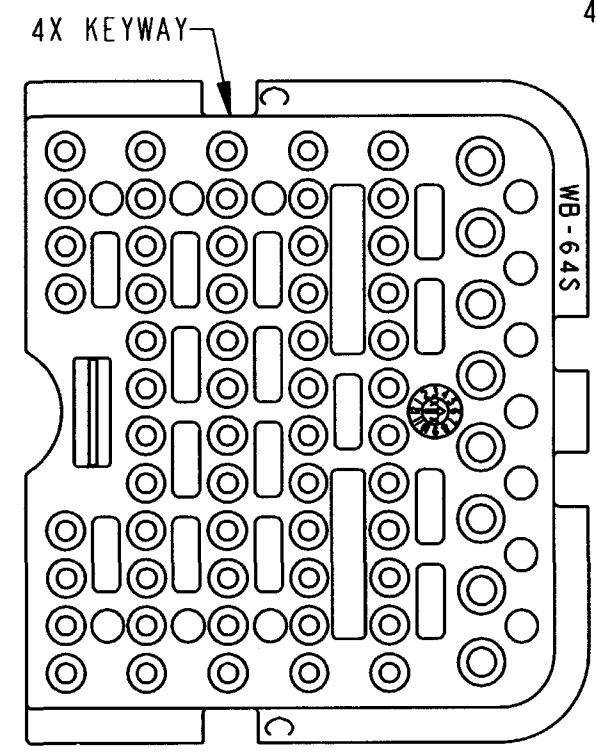
REVISIONS			
SYM	DESCRIPTION	DATE	APPROVED
NC	NEW RELEASE PER E.O. P20345	10/15/09	R.D.R.
A	REVISED PER E.O. P20365	12-15-09	RDR



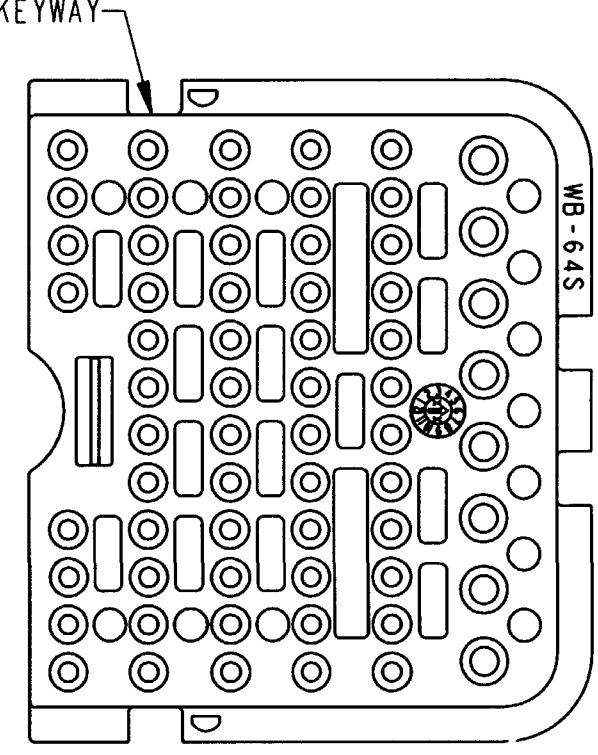
WB-64SA
KEY: A



WB-64SB
KEY: B



WB-64SC
KEY: C




WB-64SD
KEY: D

NOTES: SEE SHEET 1.

SIGNATURE & DATE	
DR	P. CARNAHAN 10/8/09
CHK	<i>[Signature]</i> 12/15/09
PE	<i>[Signature]</i> 12/3/09
APPD	<i>[Signature]</i> 12-15-09
SCALE	NONE
WT	

WEDGE LOCK, PLUG
"A THRU D" KEYS
64 CONTACTS
DRB SERIES

ENVELOPE

EP	EP 202	MATL. CODE	
		3850 INDUSTRIAL AVE. HEMET, CA 92545	
B	WB-64S*	CODE	11139
DWG SIZE		SHEET	2 OF 2

X-ON Electronics

Largest Supplier of Electrical and Electronic Components

Click to view similar products for [Automotive Connectors](#) category:

Click to view products by [TE Connectivity](#) manufacturer:

Other Similar products are found below :

[003-018-000](#) [60403001](#) [60993906-B](#) [M902-2131](#) [M902-2161](#) [M902-2344](#) [72.330.1035.1](#) [73.353.4028.0](#) [F119300-B](#) [F166900](#) [F258300-B](#)
[F358300-B](#) [F407400](#) [F444110](#) [F487000](#) [F509500B-B](#) [827153-1](#) [8N1515-32-24P](#) [9-1326729-8](#) [925474-1](#) [928905-1](#) [964562-4](#) [968782-1](#)
[GT17SA-8DS-HU](#) [98891-1012](#) [98947-1016](#) [12004147](#) [12004475-L](#) [12010290](#) [12010309-B](#) [12015454](#) [12020219-B](#) [12041318-B](#) [12052225-](#)
[L](#) [12052466](#) [12064869](#) [12004327-B](#) [12015308](#) [12015384](#) [12015909](#) [1-21030-1](#) [12041254](#) [12041318](#) [12047946-B](#) [12047957](#) [12047957-L](#)
[12059473](#) [12066261](#) [12110546](#) [12110546-B](#)