

ngskt 01/05/01

| | | | |
|--|-----------------|------------------------|-----------------|
| REV. B | DCO NO. 12970 | EDITED BY | DATE 2001-01-03 |
| SCALE 1:2 DO NOT SCALE DRAWING SHEET 1 OF 1 | | | |
| SIZE A | CAGE CODE 18741 | DWG. NO. 21-00-0900-00 | |
| GROUND DETECTOR INTERFACE | | | |
| DWG. TITLE | | | |
| P.O. Box 4422, Santa Barbara, CA 93140 Phone: (805)684-4560 Fax: (805)684-9679 E-Mail: info@klovac.com Internet: http://www.klovac.com KLOVAC A Division of KIL Technology | | | |
| UNLESS OTHERWISE SPECIFIED, DIMENSIONS ARE IN INCHES. TOLERANCES ARE: FRACTIONS DECIMALS ANGLES ±1/64 .XX = ±.01 .XXX = ±.005 | | | |
| SURFACE FINISH: EXTERNAL 63 INTERNAL 125 SHARP CORNERS: EXTERNAL R/CH .005 MAX INTERNAL R/CH .010 MAX MACHINING STANDARDS, UNLESS OTHERWISE SPECIFIED THIRD ANGLE PROJECTION | | | |

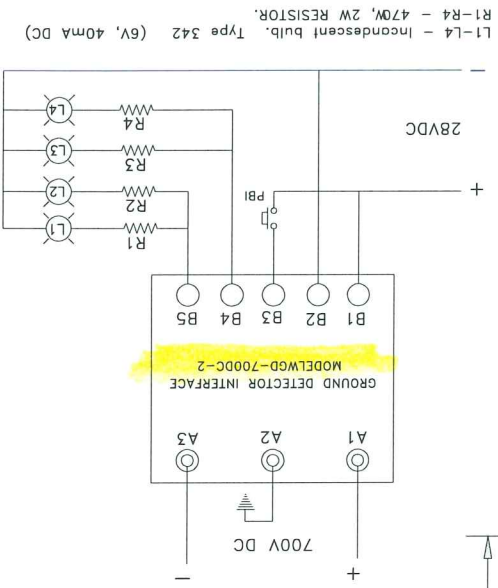
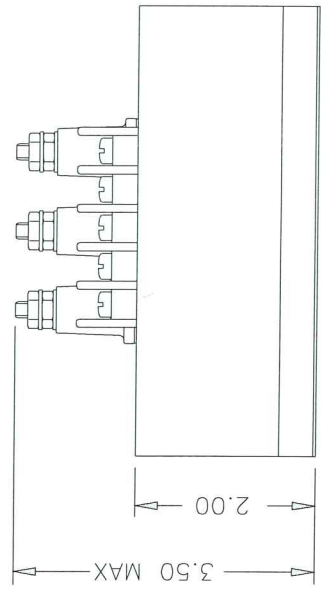
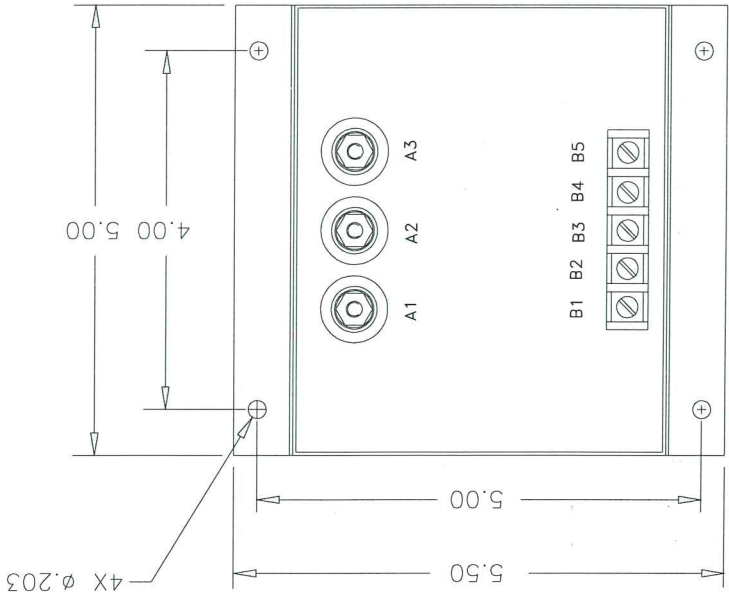
| | |
|--|----------|
| THIS DRAWING PREPARED IN ACCORDANCE WITH ASME/ANSI Y14.5M-1982 | |
| BILL OF MATERIALS | |
| ITEM | DWG. NO. |
| NOMENCLATURE OR DESCRIPTION | |

| | |
|---|--|
| IRON/ LIGHTLY COATED WITH GASTROL VS-4175 CORROSION INHIBITOR OR KLOVAC APPROVED EQUIVALENT | STEEL |
| WORKMAN- UNIFORM, FREE OF CRACKS, BURS AND OTHER DEFECTS | SHIP |
| FEATURES | SURFACE FINISH: EXTERNAL 63 INTERNAL 125 SHARP CORNERS: EXTERNAL R/CH .005 MAX INTERNAL R/CH .010 MAX |

CONSTRUCTION: SOLID STATE, EXCEPT A HIGH VOLTAGE VACUUM POWER RELAY FOR THE CONNECTION OF TERMINAL A2 TO GROUND. ENCLOSED IN A SEALED STEEL HOUSING, PLATED PER MIL-T-10727, TYPE I.

OPERATION: WITH NO LEAKAGE TO GROUND FROM EITHER SIDE OF THE 700VDC BUS, BOTH PAIRS OF LIGHTS WILL ILLUMINATE WITH THE SAME INTENSITY. WHEN A LEAKAGE FROM THE POSITIVE SIDE OCCURS, LAMPS L1, L2 WILL DIM AND L3, L4 WILL INCREASE THEIR LUMINOSITY, WHEN PB IS DEPRESSED. THE LOWER THE RESISTANCE TO GROUND, THE MORE VISIBLE THE EFFECT. THE OPPOSITE WILL HAPPEN WHEN THE LEAKAGE IS FROM THE NEGATIVE SIDE TO GROUND.

- SPECIFICATION**
- SENSING VOLTAGE (INPUT) 700VDC ±20%
 - CONTROL VOLTAGE 28VDC ±20%
 - INPUT/OUTPUT INS. RES. 100 MEGOHMS, MIN.
 - DIELECTRIC, INPUT/OUTPUT 1500 VRMS
 - TO CASE 1500 VRMS
 - LOAD RESISTORS 470 OHMS, 2 WATTS
 - LOAD LAMPS INCANDESCENT TYPE 342 (6V 40 mA)
 - INPUT IMPEDANCE 2.25 MEGOHMS
 - RESPONSE TIME DELAY .035 SEC. TYPICAL
 - OPERATING TEMPERATURE 0 TO +75°C
 - SHOCK MIL-S-901D
 - VIBRATION MIL-STD-167-1



L1-L4 - Incandescent bulb. Type 342 (6V, 40mA DC)
 R1-R4 - 470W, 2W RESISTOR.

THIS DRAWING AND THE DESIGN IT DISCLOSES ARE THE PROPERTY OF KLOVAC CORP., AND IT IS ISSUED IN CONFIDENCE FOR ENGINEERING INFORMATION ONLY. THE DRAWING AND OR DESIGN MAY NOT BE REPRODUCED, DISCLOSED TO OUTSIDERS OR USED FOR ANY OTHER PURPOSE WITHOUT THE PRIOR EXPRESS CONSENT OF KLOVAC. THE DRAWING IS LOANED FOR MUTUAL ASSISTANCE AND IS SUBJECT TO RECALL AT ANY TIME.

M/P: 161819191

X-ON Electronics

Largest Supplier of Electrical and Electronic Components

Click to view similar products for [General Purpose Relays](#) category:

Click to view products by [TE Connectivity](#) manufacturer:

Other Similar products are found below :

[APF30318](#) [JVN1AF-4.5V-F](#) [PCN-105D3MHZ](#) [5JO-10000S-SIL](#) [5JO-1000CD-SIL](#) [5JO-400CD-SIL](#) [LY2S-AC220/240](#) [LYQ20DC12](#)
[6031007G](#) [6131406HQ](#) [6-1393099-3](#) [6-1393099-8](#) [6-1393122-4](#) [6-1393123-2](#) [6-1393767-1](#) [6-1393843-7](#) [6-1415012-1](#) [6-1419102-2](#) [6-](#)
[1423698-4](#) [6-1608051-6](#) [6-1608067-0](#) [6-1616170-6](#) [6-1616248-2](#) [6-1616282-3](#) [6-1616348-2](#) [6-1616350-1](#) [6-1616350-8](#) [6-1616358-7](#) [6-](#)
[1616359-9](#) [6-1616360-9](#) [6-1616931-6](#) [6-1617039-1](#) [6-1617052-1](#) [6-1617090-2](#) [6-1617090-5](#) [6-1617347-5](#) [6-1617353-3](#) [6-1617801-8](#) [6-](#)
[1617802-2](#) [6-1618107-9](#) [6-1618248-4](#) [M83536/1-027M](#) [CX-4014](#) [MAHC-5494](#) [MAVCD-5419-6](#) [703XCX-120A](#) [7-1393100-5](#) [7-1393111-7](#)
[7-1393144-5](#) [7-1393767-8](#)