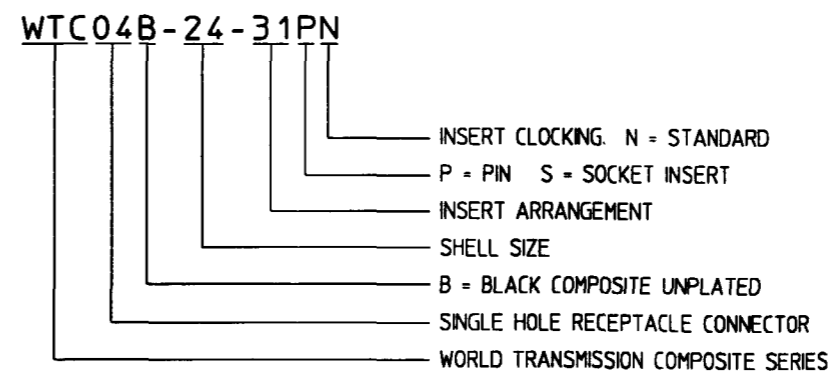
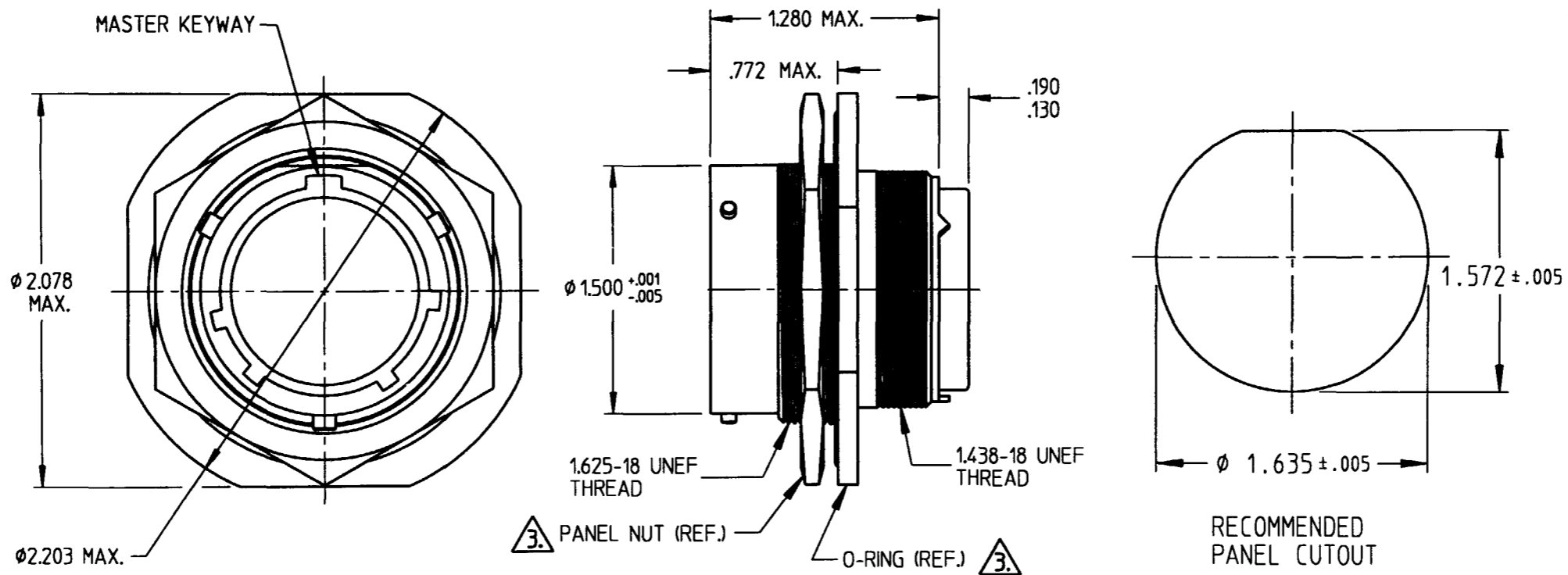


**PROPERTY OF DEUTSCH E.C.D.**  
 This drawing contains proprietary information that shall not be disclosed, duplicated,  
 nor used in whole or in part for any purpose other than to evaluate this drawing.

REVISIONS			
REV	DESCRIPTION	DATE	APPROVED
N/C	NEW RELEASE PER E.O. C2635	1-17-97	BJH



- DIMENSIONS ARE IN INCHES UNLESS OTHERWISE SPECIFIED.
- MATERIALS. SHELL, PANEL NUT - COMPOSITE  
 INSERTS - THERMOPLASTIC, ELASTOMER  
 O-RING - SILICONE
- CONNECTOR IS SHIPPED LESS PANEL NUT, O-RING, BACKSHELL, CONTACTS, SEALING PLUGS, AND INSERTION/REMOVAL TOOLS.
- AVAILABLE INSERT ARRANGEMENTS ARE ILLUSTRATED ON DEUTSCH INFORMATION DRAWING 0925-204-0000. ONLY SIZE 24 SHELLS AND INSERT ARRANGEMENTS ARE CURRENTLY AVAILABLE.

SIGNATURE & DATE		CONNECTOR, RECEPTACLE	CP	MATERIAL CODE
DR	N. CORBO 1-15-97			
CHK	<i>[Signature]</i> 1-17-97	SINGLE HOLE MOUNTING BAYONET COUPLING COMPOSITE SHELL	DEUTSCH ENGINEERED CONNECTING DEVICES 36033 Whittier Ave. Hemet, California	
PE	N. CORBO 1-15-97	WORLD TRANSMISSION COMPOSITE SERIES	A	WTC04B-24-***P/S*
APPD		ENVELOPE		
SCALE	NONE	WT		

WTC04B-24-XXX-SX-ENV-NC

## X-ON Electronics

Largest Supplier of Electrical and Electronic Components

*Click to view similar products for [Circular MIL Spec Connector](#) category:*

*Click to view products by [TE Connectivity](#) manufacturer:*

Other Similar products are found below :

[0025-262-542](#) [0025-264-3014](#) [58-570121-04S](#) [0134-202-1200](#) [0134-207-1206](#) [0134-207-1800](#) [0134-207-2207](#) [0134-213-0806](#) [0134-213-1007](#) [0134-213-1009](#) [0134-213-1208](#) [0134-213-1800](#) [0134-213-2209](#) [0025-258-000](#) [015-9516-002](#) [60-042722-19P](#) [0114-201-1278](#) [602GB06EG24-61SN](#) [0134-201-1207](#) [0134-201-1806](#) [0134-201-2006](#) [0134-201-2007](#) [0134-201-2010](#) [0134-202-1400](#) [0134-207-0809](#) [0134-207-1208](#) [0134-207-2009](#) [0134-213-1006](#) [6104-207-2302](#) [6104-208-1902](#) [6104-215-0902](#) [6131-202-19149P](#) [6131-204-21149P](#) [6131-207-13149P](#) [6131-208-13149P](#) [6131-209-17149P](#) [6131-210-11149P](#) [6131-211-19149P](#) [6131-216-19149P](#) [6131-220-25149P](#) [6131-259-11149P](#) [6131-259-21149P](#) [6131-259-23149P](#) [6131-263-19149P](#) [6131-265-17149P](#) [6131-265-19149P](#) [CS3102A-20-15P](#) [CS3102C18-4P-472](#) [CS3106A-10SL-53S](#) [CS3106A-10SL-64S](#)