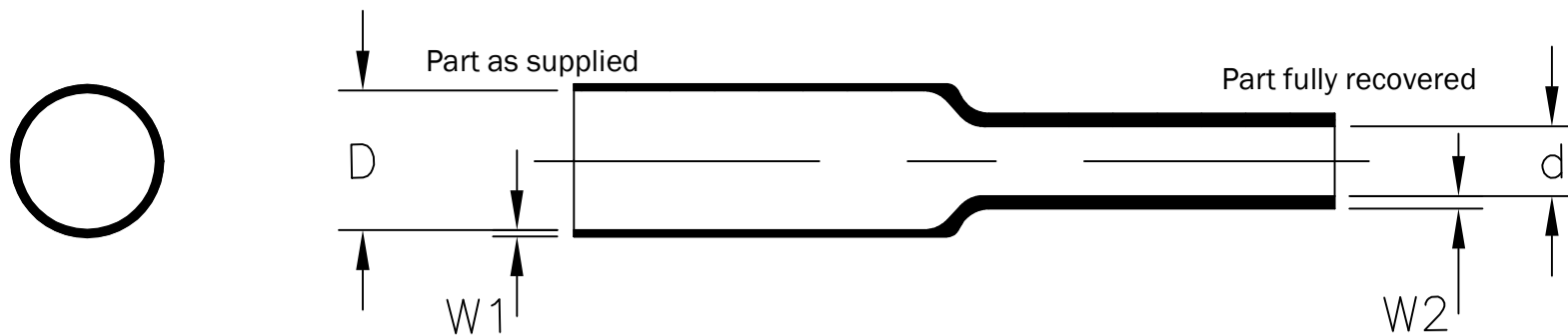


| REVISIONS | | | | |
|-----------|-----|-----------------|-----------|-------|
| P | LTR | DESCRIPTION | DATE | APVD |
| | A | INITIAL RELEASE | 07JAN2019 | RS HD |



TUBING DIMENSIONS METRIC

| Size | As Supplied (mm) | | As Recovered (mm) | |
|------|------------------|----------------|-------------------|----------------|
| | Inside Diameter | Wall Thickness | Inside Diameter | Wall Thickness |
| | D | W1 | d | W2 |
| 1.0 | 1.5 ± 0.2 | 0.2 | 0.5 | 0.44 |
| 1.5 | 2.1 ± 0.2 | 0.2 | 0.75 | 0.44 |
| 2.0 | 2.6 ± 0.2 | 0.25 | 1.0 | 0.44 |
| 2.5 | 3.1 ± 0.2 | 0.25 | 1.25 | 0.44 |
| 3.0 | 3.6 ± 0.2 | 0.25 | 1.5 | 0.44 |
| 3.5 | 4.1 ± 0.3 | 0.25 | 1.75 | 0.46 |
| 4.0 | 4.6 ± 0.3 | 0.25 | 2.0 | 0.46 |
| 5.0 | 5.6 ± 0.3 | 0.3 | 2.5 | 0.56 |
| 6.0 | 6.6 ± 0.3 | 0.3 | 3.0 | 0.56 |
| 7.0 | 7.6 ± 0.3 | 0.3 | 3.5 | 0.56 |
| 8.0 | 8.6 ± 0.3 | 0.3 | 4.0 | 0.56 |
| 9.0 | 9.6 ± 0.3 | 0.3 | 4.5 | 0.56 |
| 10.0 | 10.4 ± 0.3 | 0.3 | 5.0 | 0.56 |
| 11.0 | 11.4 ± 0.3 | 0.3 | 5.5 | 0.56 |
| 12.0 | 12.7 ± 0.3 | 0.3 | 6.0 | 0.56 |
| 16.0 | 16.9 ± 0.4 | 0.35 | 8.0 | 0.69 |
| 18.0 | 19.0 ± 0.4 | 0.4 | 9.0 | 0.77 |
| 20.0 | 21.5 ± 0.5 | 0.4 | 10.0 | 0.77 |
| 25.0 | 27.0 ± 0.6 | 0.45 | 12.5 | 0.77 |
| 30.0 | 32.4 ± 0.8 | 0.45 | 15.0 | 0.89 |

MATERIAL: SWFR X2 is a 125°C, 600 volt, VW-1 rated, UL recognized and CSA certified tubing meeting the requirements of UL 224. It is fabricated from Zerohal flame-retarded crosslinked modified flexible polyolefin.


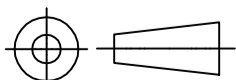
COLOR: Black

RELEASED FOR PUBLICATION APR , 2016.

ALL RIGHTS RESERVED.

THIS DRAWING IS UNPUBLISHED.

© COPYRIGHT 2016 TE Connectivity

| | | | | | | |
|--|---|--------------|---|------|-----------------|------------|
| DIMENSIONS: mm | DWN RS | 07JAN2019 | MATERIAL | - | FINISH | - |
| | CHK HD | 07JAN2019 |  TE Connectivity | | | |
| TOLERANCES UNLESS OTHERWISE SPECIFIED: | APVD HD | 07JAN2019 | | | | |
| | 0 PLC ± - | PRODUCT SPEC | | SIZE | CAGE CODE | DRAWING NO |
| 1 PLC ± - | APPLICATION SPEC | | A4 | | © SWFR_X2_BLACK | - |
| 2 PLC ± - | WEIGHT | | CUSTOMER DRAWING | | | |
| 3 PLC ± - | SCALE | | SHEET | | REV | |
| 4 PLC ± - | NTS | | 1 of 1 | | A | |
| ANGLES ± - |  | | | | | |

X-ON Electronics

Largest Supplier of Electrical and Electronic Components

Click to view similar products for [Heat Shrink Tubing and Sleeves](#) category:

Click to view products by [TE Connectivity](#) manufacturer:

Other Similar products are found below :

[5685710001](#) [CR9960-000](#) [5734012004](#) [607381P039](#) [611112-000](#) [6284592002](#) [CX4711-000](#) [CZ1420-000](#) [D-306-38](#) [770-006S302](#) [770-010Y106W1](#) [770-018S103](#) [770-018S202W1](#) [770-018S205W1](#) [770-020S704W1](#) [770-020S705](#) [MFP-3/64"-Clear](#) [790-3012](#) [MHHT-4-15K2-G-104](#) [8003012003](#) [MIL-LT-1-1/2-4-SP](#) [MIL-LT-1-1/2-9-STK](#) [MIL-LT-1/2-2-STK](#) [MIL-LT-3-0-SP](#) [MIL-LT-3/32-0-SP](#) [MIL-LT-3/32-6-SP](#) [MIL-LT-3/4-4-STK](#) [MIL-LT-3/4-6-SP](#) [839602-000](#) [8423-6](#) [FP301-116-48"-Clear](#) [FP301-12-6"-Clear](#) [FP301-1/4-48"-White-Hdr](#) [FP301-18-48"-Black-Hdr](#) [FP301-1/8-6"-Black](#) [FP301-18-6"-Black-Bulk](#) [FP301-316-48"-Blue-Hdr](#) [912229N002](#) [R280637030](#) [HDCW-5515-1000](#) [HDT-0300-48A-BLACK](#) [HDT-0400-48A-Black](#) [HDT-0800-48A-RED](#) [HDT1100-48A-BLK](#) [HDT1500-48A-BLK](#) [HDT-2000-48A-Black](#) [RHW-70/20-1200/ADH-0](#) [DWP-125-0.450-4-55MM-CS879](#) [156082-000](#) [MT5500-3/8-X-SP](#)