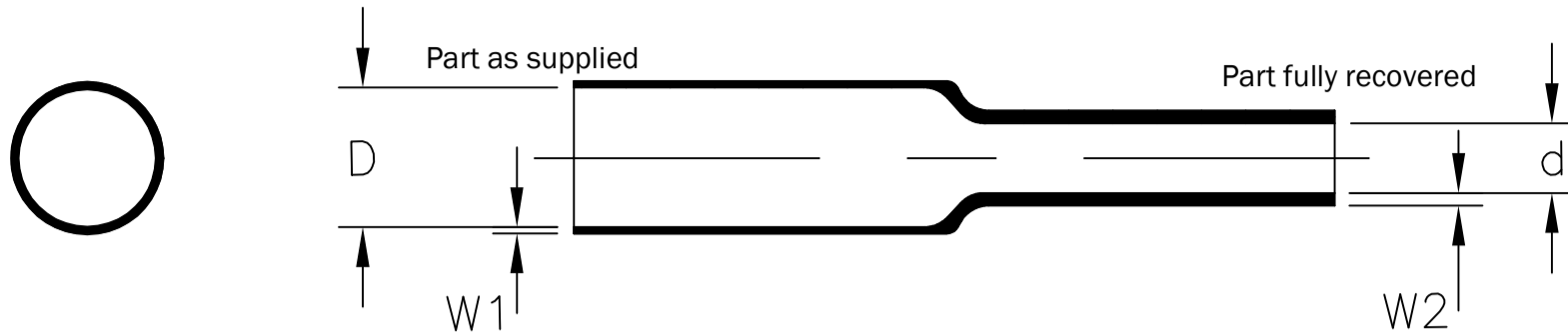


REVISIONS				
P	LTR	DESCRIPTION	DATE	APVD
	A	INITIAL RELEASE	07JAN2019	RS HD



**TUBING DIMENSIONS METRIC**

Size	As Supplied (mm)		As Recovered (mm)	
	Inside Diameter	Wall Thickness	Inside Diameter	Wall Thickness
	<b>D</b>	<b>W1</b>	<b>d</b>	<b>W2</b>
1.0	1.5 ± 0.2	0.2	0.5	0.44
1.5	2.1 ± 0.2	0.2	0.75	0.44
2.0	2.6 ± 0.2	0.25	1.0	0.44
2.5	3.1 ± 0.2	0.25	1.25	0.44
3.0	3.6 ± 0.2	0.25	1.5	0.44
3.5	4.1 ± 0.3	0.25	1.75	0.46
4.0	4.6 ± 0.3	0.25	2.0	0.46
5.0	5.6 ± 0.3	0.3	2.5	0.56
6.0	6.6 ± 0.3	0.3	3.0	0.56
7.0	7.6 ± 0.3	0.3	3.5	0.56
8.0	8.6 ± 0.3	0.3	4.0	0.56
9.0	9.6 ± 0.3	0.3	4.5	0.56
10.0	10.4 ± 0.3	0.3	5.0	0.56
11.0	11.4 ± 0.3	0.3	5.5	0.56
12.0	12.7 ± 0.3	0.3	6.0	0.56
16.0	16.9 ± 0.4	0.35	8.0	0.69
18.0	19.0 ± 0.4	0.4	9.0	0.77
20.0	21.5 ± 0.5	0.4	10.0	0.77
25.0	27.0 ± 0.6	0.45	12.5	0.77
30.0	32.4 ± 0.8	0.45	15.0	0.89

**MATERIAL:** SWFR X2 is a 125°C, 600 volt, VW-1 rated, UL recognized and CSA certified tubing meeting the requirements of UL 224. It is fabricated from Zerohal flame-retarded crosslinked modified flexible polyolefin.


**COLOR:** Black

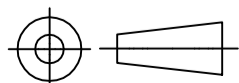
RELEASED FOR PUBLICATION APR , 2016.

ALL RIGHTS RESERVED.

THIS DRAWING IS UNPUBLISHED.

© COPYRIGHT 2016 TE Connectivity

DIMENSIONS: mm	DWN RS	07JAN2019	MATERIAL -	FINISH -			
	CHK HD	07JAN2019	 TE Connectivity				
TOLERANCES UNLESS OTHERWISE SPECIFIED:	APVD HD	07JAN2019			NAME SWFR X2 BLACK SINGLE WALL HEAT SHRINKABLE TUBING		
	PRODUCT SPEC		SIZE A4	CAGE CODE			DRAWING NO C-SWFR_X2_BLACK
0 PLC ± - 1 PLC ± - 2 PLC ± - 3 PLC ± - 4 PLC ± - ANGLES ± -	APPLICATION SPEC		CUSTOMER DRAWING		SCALE NTS	SHEET 1 of 1	REV A



## X-ON Electronics

Largest Supplier of Electrical and Electronic Components

*Click to view similar products for [Heat Shrink Tubing and Sleeves](#) category:*

*Click to view products by [TE Connectivity](#) manufacturer:*

Other Similar products are found below :

[5685710001](#) [CR9960-000](#) [5734012004](#) [607381P039](#) [611112-000](#) [6284592002](#) [CX4711-000](#) [CZ1420-000](#) [D-306-38](#) [770-006S302](#) [770-010Y106W1](#) [770-018S103](#) [770-018S202W1](#) [770-018S205W1](#) [770-020S704W1](#) [770-020S705](#) [MFP-3/64"-Clear](#) [790-3012](#) [MHHT-4-15K2-G-104](#) [8003012003](#) [MIL-LT-1-1/2-4-SP](#) [MIL-LT-1-1/2-9-STK](#) [MIL-LT-1/2-2-STK](#) [MIL-LT-3-0-SP](#) [MIL-LT-3/32-0-SP](#) [MIL-LT-3/32-6-SP](#) [MIL-LT-3/4-4-STK](#) [MIL-LT-3/4-6-SP](#) [839602-000](#) [8423-6](#) [FP301-116-48"-Clear](#) [FP301-12-6"-Clear](#) [FP301-1/4-48"-White-Hdr](#) [FP301-18-48"-Black-Hdr](#) [FP301-1/8-6"-Black](#) [FP301-18-6"-Black-Bulk](#) [FP301-316-48"-Blue-Hdr](#) [912229N002](#) [R280637030](#) [HDCW-5515-1000](#) [HDT-0300-48A-BLACK](#) [HDT-0400-48A-Black](#) [HDT-0800-48A-RED](#) [HDT1100-48A-BLK](#) [HDT1500-48A-BLK](#) [HDT-2000-48A-Black](#) [RHW-70/20-1200/ADH-0](#) [DWP-125-0.450-4-55MM-CS879](#) [156082-000](#) [MT5500-3/8-X-SP](#)