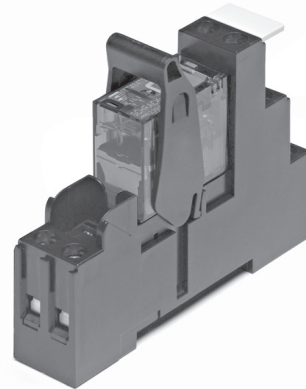


Relay Package XT

- Relay package consisting of XT relay, DIN-rail socket, plastic retaining clip and marking tag
- 1 CO with 16 A or 2 CO with 8 A rated load
- Sensitive DC- or AC coil
- Reinforced insulation (protection class II / VDE 0700), safe separation to VDE 0160
- Jumper bars for interconnection
- Further accessories see Accessories XT
- Manual test tab, optionally lockable
- Mechanical and electrical indicators



F0288-DP



Approvals

Relay: VDE Cert. No. 40017832, cULus E214025, Lloyds 08/20067 (E2)
Socket: VDE Cert. No. 40017832, cULus E135149

Technical data of approved types on request

| Contact data | 1-pole | 2-pole |
|---|---------------------------|---------------|
| Contact configuration | 1 CO | 2 CO |
| Contact set | single contact | |
| Type of interruption | micro disconnection | |
| Rated voltage/max. switching voltage AC | 240/400 VAC | |
| Rated current | 16 A*) | 8 A |
| Limiting continuous current | 16 A*) | 8 A, UL: 10 A |
| Maximum breaking capacity AC | 4000 VA | 2000 VA |
| Limiting making capacity, max. 4 s, duty factor 10% | 30 A | 15 A |
| Contact material | AgNi 90/10 | |
| Rated frequency of operation with/without load | 6 / 600 min ⁻¹ | |

*) For full load current (16 A) the relay terminals 11-21, 12-22 and 14-24 have to be bridged

Contact ratings

For contact ratings see datasheet Interface Plug-in Relay XT

Coil data

| | |
|----------------------------------|------------------|
| Rated coil voltage range DC coil | 24 VDC |
| AC coil | 24, 115, 230 VAC |
| Operative range to IEC 61810 | 2 |

Coil versions, DC coil

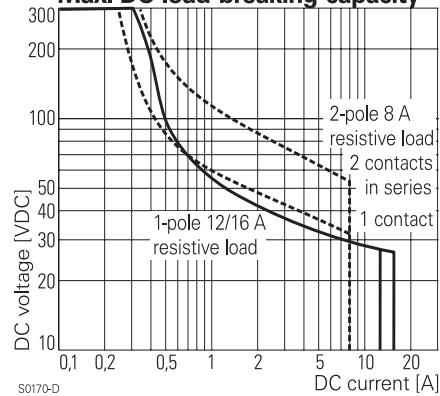
| Coil code | Rated voltage VDC | Operate voltage VDC | Release voltage VDC | Coil resistance Ω±10% | Rated coil power mW |
|-----------|-------------------|---------------------|---------------------|-----------------------|---------------------|
| LC4 | 24 | 16.8 | 2.4 | 1440 | 419 |

Coil versions, AC coil 50 Hz

| Coil code | Rated voltage VAC | Operate voltage 50 Hz VAC | Release voltage 50 Hz VAC | Coil resistance Ω | Rated coil power 50 Hz VA |
|-----------|-------------------|---------------------------|---------------------------|-------------------|---------------------------|
| R24 | 24 | 18.0 | 3.6 | 350±10% | 0.77 |
| S15 | 115 | 86.3 | 17.3 | 8100±15% | 0.81 |
| T30 | 230 | 172.5 | 34.5 | 32500±15% | 0.81 |

All figures are given for coil without preenergization, at ambient temperature +23°C
Other coil voltages on request.

Max. DC load breaking capacity



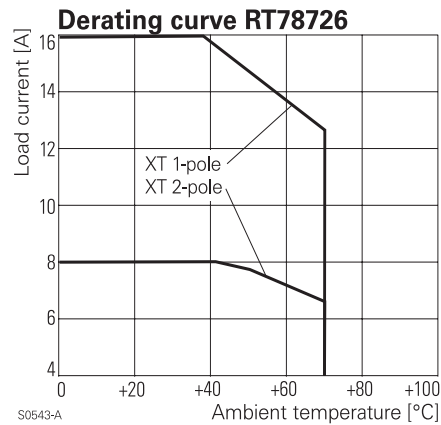
S0170-D

Insulation

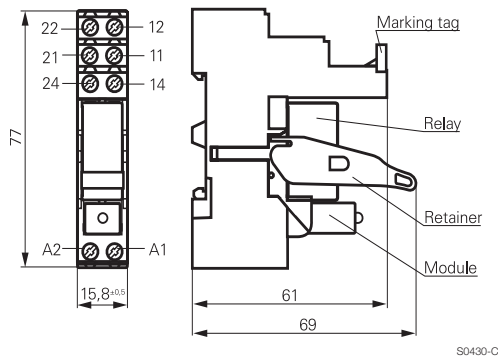
| | 1-pole | 2-pole |
|---|-----------------------|-------------|
| Dielectric strength | | |
| coil-contact circuit | 5000 V _{rms} | |
| open contact circuit | 1000 V _{rms} | |
| adjacent contact circuits | 2500 V _{rms} | |
| Clearance / creepage coil-contact circuit | ≥ 8 / 8 mm | |
| Material group of insulation parts | IIIa | |
| Tracking index of relay base | PTI 175 V | |
| Insulation to IEC 60664-1 | | |
| Type of insulation coil-contact circuit | reinforced | |
| open contact circuit | micro disconnection | |
| adjacent contact circuits | basic | |
| Rated insulation voltage | 250 V | |
| Pollution degree | 3 | 2 |
| Rated voltage system | 240 V | 230 / 400 V |
| Overvoltage category | III | |

Relay Package XT (Continued)

| Other data | 1-pole | 2-pole |
|---|----------------------------------|--------|
| Mechanical endurance DC coil | > 10 x 10 ⁶ cycles | |
| AC coil | > 5 x 10 ⁶ cycles | |
| Material compliance: EU RoHS/ELV, China RoHS, REACH, Halogen content refer to the Product Compliance Support Center at www.te.com/customer-support/rohssupportcenter | | |
| Ambient temperature range for mounting/handling | -20...+70°C | |
| in operation | -40...+70°C | |
| Processing | | |
| Terminals | screw | |
| Terminal screw torque acc. IEC 61984 max. | 0.5 Nm | |
| | 0.7 Nm | |
| Wire cross section | | |
| single wire | 2 x 2.5 mm ² | |
| fine wire | 2 x 2.5 mm ² | |
| with bootlace crimp (DIN 46228/1) | 2 x 1.5 mm ² | |
| Insertion cycles | A (10) | |
| Max. Insertion Force total | 100 N | |
| Mounting distance | ≥ 0 mm, dense packing of sockets | |
| Weight | 56 g | |
| Packaging unit | 10 pcs | |



Dimensions



Product code structure

Typical product code **XT 4S 4 T30**

Type

XT Relay Package XT

Version

3S Relay set: XT 1-pole CO (1 form C), 16 A, red LED
4S Relay set: XT 2-pole CO (2 form C), 8 A, red LED

Contact material

4 AgNI 90/10, CO contact

Coil

LC4 24 VDC **R24** 24 VAC
S15 115 VAC **T30** 230 VAC

| Product code | Socket | Retainer | Marking tag | Relay | Coil | Part Number |
|--------------|---------|----------|-------------|----------|--------|-------------|
| XT3S4LC4 | RT78726 | XT17017 | RT17040 | XT374LC4 | 24VDC | 4-1415540-1 |
| XT3S4R24 | | | | XT374R24 | 24VAC | 4-1415540-2 |
| XT3S4S15 | | | | XT374S15 | 115VAC | 4-1415540-3 |
| XT3S4T30 | | | | XT374T30 | 230VAC | 4-1415540-4 |
| XT4S4LC4 | | | | XT484LC4 | 24VDC | 4-1415540-5 |
| XT4S4R24 | | | | XT484R24 | 24VAC | 4-1415540-6 |
| XT4S4S15 | | | | XT484S15 | 115VAC | 4-1415540-7 |
| XT4S4T30 | | | | XT484T30 | 230VAC | 4-1415540-8 |

X-ON Electronics

Largest Supplier of Electrical and Electronic Components

Click to view similar products for [Industrial Relays](#) category:

Click to view products by [TE Connectivity](#) manufacturer:

Other Similar products are found below :

[6-1617801-8](#) [6-1618107-9](#) [7-1618273-3](#) [EV250-4A-02](#) [EV250-6A-01](#) [FCA-125-CX8](#) [FCA-325-159](#) [FCA-410-138](#) [8000-S3121](#) [8-1618273-6](#)
[8-1618393-1](#) [GCA63A220VAC60HZ](#) [GCA63A277VAC60HZ](#) [GCA63A600VAC60HZ](#) [1-1672275-3](#) [1-1833005-4](#) [H-16/S1](#) [A711Z](#) [H-8C](#)
[H-8/S11](#) [H-8/S68](#) [ACC530U20](#) [ACC730U30](#) [RF303ZM4-12](#) [DH18DA](#) [1423675-8](#) [AR4-15F13-C01](#) [AR7-41F11](#) [AVR907](#) [15732A200](#)
[B07B032AC1-0329](#) [B329](#) [B490A](#) [1618279-1](#) [BHR124Y](#) [1810DDB-SX](#) [N417](#) [P30C42A12D1-120](#) [2-1617748-6](#) [2-1618375-1](#) [2-1618396-6](#)
[2-1618398-1](#) [JMAPD-5XL](#) [JMGACD-5M](#) [JMGSC-5LW](#) [JMGSCD-5L](#) [PBO-18A1218](#) [PBO-40A3040](#) [K8DSPH1200480VAC](#) [KA-3C-12A](#)