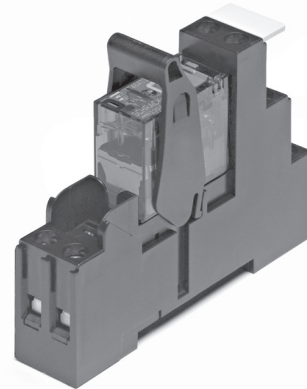


Relay Package XT

- Relay package consisting of XT relay, DIN-rail socket, plastic retaining clip and marking tag
- 1 CO with 16 A or 2 CO with 8 A rated load
- Sensitive DC- or AC coil
- Reinforced insulation (protection class II / VDE 0700), safe separation to VDE 0160
- Jumper bars for interconnection
- Further accessories see Accessories XT
- Manual test tab, optionally lockable
- Mechanical and electrical indicators



F0288-DP



Approvals

Relay: VDE Cert. No. 40017832, cULus E214025, Lloyds 08/20067 (E2)
Socket: VDE Cert. No. 40017832, cULus E135149

Technical data of approved types on request

Contact data	1-pole	2-pole
Contact configuration	1 CO	2 CO
Contact set	single contact	
Type of interruption	micro disconnection	
Rated voltage/max. switching voltage AC	240/400 VAC	
Rated current	16 A*)	8 A
Limiting continuous current	16 A*)	8 A, UL: 10 A
Maximum breaking capacity AC	4000 VA	2000 VA
Limiting making capacity, max. 4 s, duty factor 10%	30 A	15 A
Contact material	AgNi 90/10	
Rated frequency of operation with/without load	6 / 600 min ⁻¹	

*) For full load current (16 A) the relay terminals 11-21, 12-22 and 14-24 have to be bridged

Contact ratings

For contact ratings see datasheet Interface Plug-in Relay XT

Coil data

Rated coil voltage range DC coil	24 VDC
AC coil	24, 115, 230 VAC
Operative range to IEC 61810	2

Coil versions, DC coil

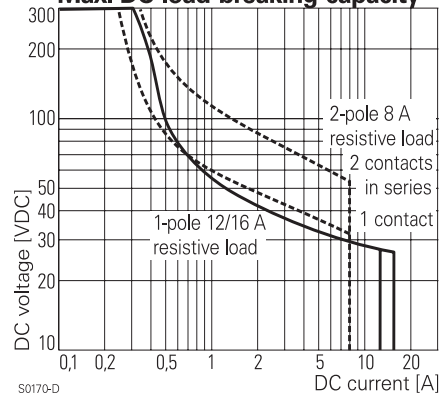
Coil code	Rated voltage VDC	Operate voltage VDC	Release voltage VDC	Coil resistance Ω±10%	Rated coil power mW
LC4	24	16.8	2.4	1440	419

Coil versions, AC coil 50 Hz

Coil code	Rated voltage VAC	Operate voltage 50 Hz VAC	Release voltage 50 Hz VAC	Coil resistance Ω	Rated coil power 50 Hz VA
R24	24	18.0	3.6	350±10%	0.77
S15	115	86.3	17.3	8100±15%	0.81
T30	230	172.5	34.5	32500±15%	0.81

All figures are given for coil without preenergization, at ambient temperature +23°C
Other coil voltages on request.

Max. DC load breaking capacity



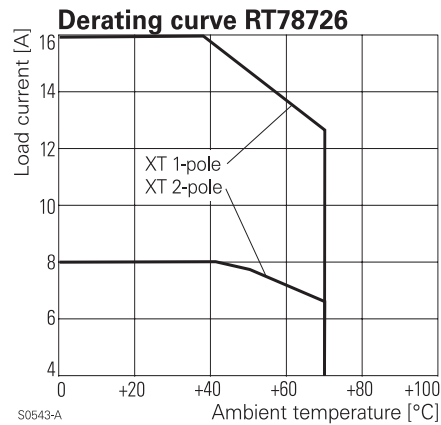
S0170-D

Insulation

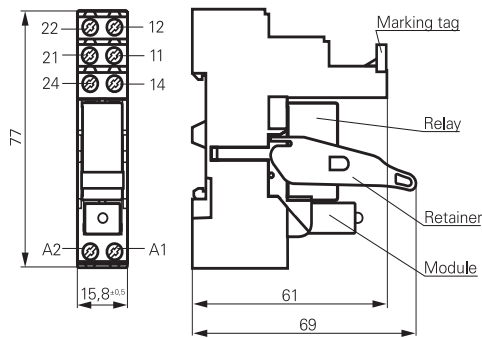
	1-pole	2-pole
Dielectric strength		
coil-contact circuit	5000 V _{rms}	
open contact circuit	1000 V _{rms}	
adjacent contact circuits	2500 V _{rms}	
Clearance / creepage coil-contact circuit	≥ 8 / 8 mm	
Material group of insulation parts	IIIa	
Tracking index of relay base	PTI 175 V	
Insulation to IEC 60664-1		
Type of insulation coil-contact circuit	reinforced	
open contact circuit	micro disconnection	
adjacent contact circuits	basic	
Rated insulation voltage	250 V	
Pollution degree	3	2
Rated voltage system	240 V	230 / 400 V
Overvoltage category	III	

Relay Package XT (Continued)

Other data	1-pole	2-pole
Mechanical endurance DC coil	> 10 x 10 ⁶ cycles	
AC coil	> 5 x 10 ⁶ cycles	
Material compliance: EU RoHS/ELV, China RoHS, REACH, Halogen content refer to the Product Compliance Support Center at www.te.com/customer-support/rohssupportcenter		
Ambient temperature range for mounting/handling	-20...+70°C	
in operation	-40...+70°C	
Processing		
Terminals	screw	
Terminal screw torque acc. IEC 61984 max.	0.5 Nm	
	0.7 Nm	
Wire cross section		
single wire	2 x 2.5 mm ²	
fine wire	2 x 2.5 mm ²	
with bootlace crimp (DIN 46228/1)	2 x 1.5 mm ²	
Insertion cycles	A (10)	
Max. Insertion Force total	100 N	
Mounting distance	≥ 0 mm, dense packing of sockets	
Weight	56 g	
Packaging unit	10 pcs	



Dimensions



Product code structure

Typical product code **XT 4S 4 T30**

Type

XT Relay Package XT

Version

3S Relay set: XT 1-pole CO (1 form C), 16 A, red LED
4S Relay set: XT 2-pole CO (2 form C), 8 A, red LED

Contact material

4 AgNI 90/10, CO contact

Coil

LC4 24 VDC **R24** 24 VAC
S15 115 VAC **T30** 230 VAC

Product code	Socket	Retainer	Marking tag	Relay	Coil	Part Number
XT3S4LC4	RT78726	XT17017	RT17040	XT374LC4	24VDC	4-1415540-1
XT3S4R24				XT374R24	24VAC	4-1415540-2
XT3S4S15				XT374S15	115VAC	4-1415540-3
XT3S4T30				XT374T30	230VAC	4-1415540-4
XT4S4LC4				XT484LC4	24VDC	4-1415540-5
XT4S4R24				XT484R24	24VAC	4-1415540-6
XT4S4S15				XT484S15	115VAC	4-1415540-7
XT4S4T30				XT484T30	230VAC	4-1415540-8

X-ON Electronics

Largest Supplier of Electrical and Electronic Components

Click to view similar products for [Industrial Relays](#) category:

Click to view products by [TE Connectivity](#) manufacturer:

Other Similar products are found below :

[6-1617801-8](#) [6-1618107-9](#) [7-1618273-3](#) [EV250-4A-02](#) [EV250-6A-01](#) [FCA-125-CX8](#) [FCA-325-159](#) [FCA-410-138](#) [8000-S3121](#) [8-1618273-6](#)
[8-1618393-1](#) [GCA63A220VAC60HZ](#) [GCA63A277VAC60HZ](#) [GCA63A600VAC60HZ](#) [1-1672275-3](#) [1-1833005-4](#) [H-16/S1](#) [A711Z](#) [H-8C](#)
[H-8/S11](#) [H-8/S68](#) [ACC530U20](#) [ACC730U30](#) [RF303ZM4-12](#) [DH18DA](#) [1423675-8](#) [AR4-15F13-C01](#) [AR7-41F11](#) [AVR907](#) [15732A200](#)
[B07B032AC1-0329](#) [B329](#) [B490A](#) [1618279-1](#) [BHR124Y](#) [1810DDB-SX](#) [N417](#) [P30C42A12D1-120](#) [2-1617748-6](#) [2-1618375-1](#) [2-1618396-6](#)
[2-1618398-1](#) [JMAPD-5XL](#) [JMGACD-5M](#) [JMGSC-5LW](#) [JMGSCD-5L](#) [PBO-18A1218](#) [PBO-40A3040](#) [K8DSPH1200480VAC](#) [KA-3C-12A](#)