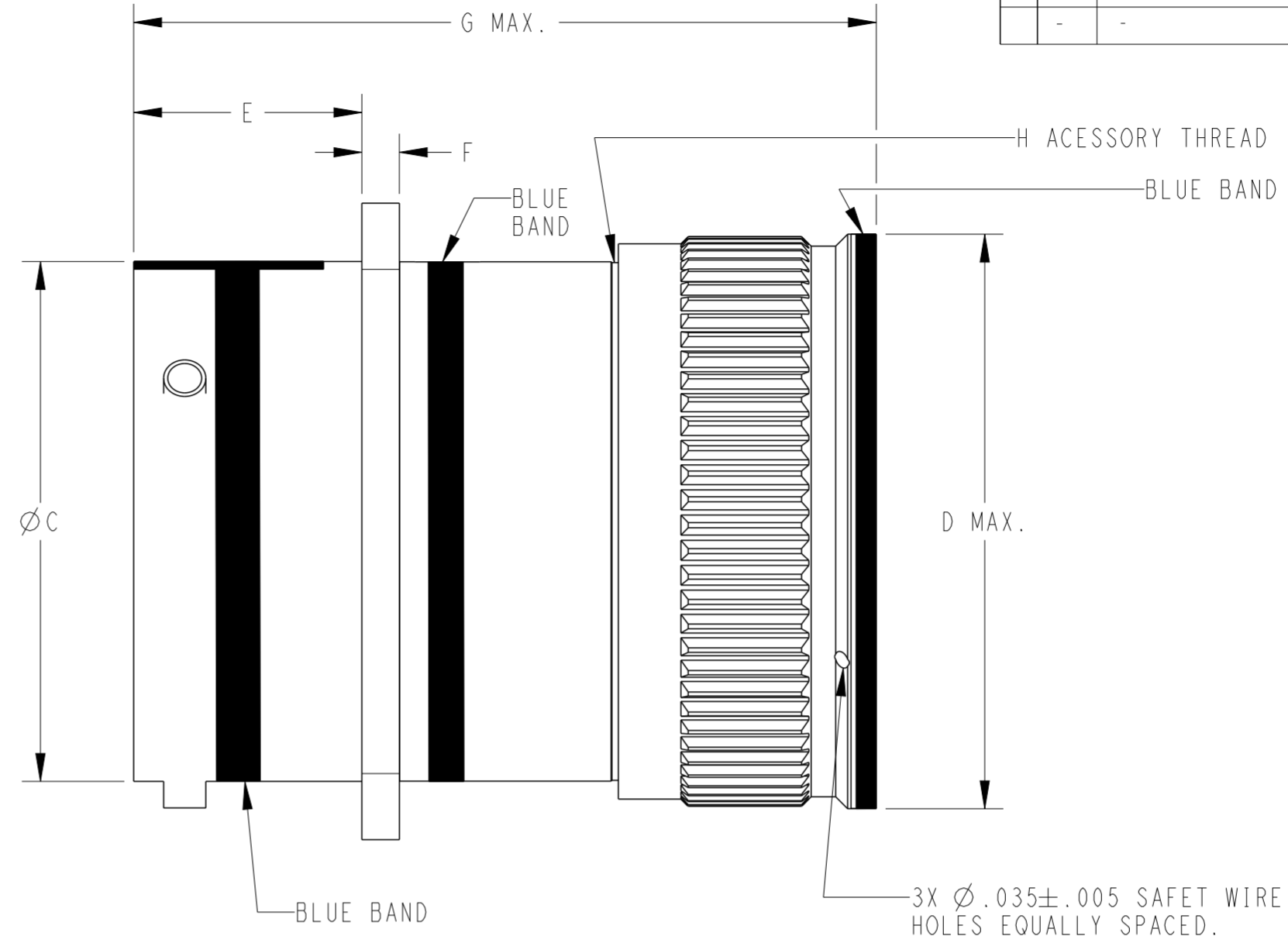
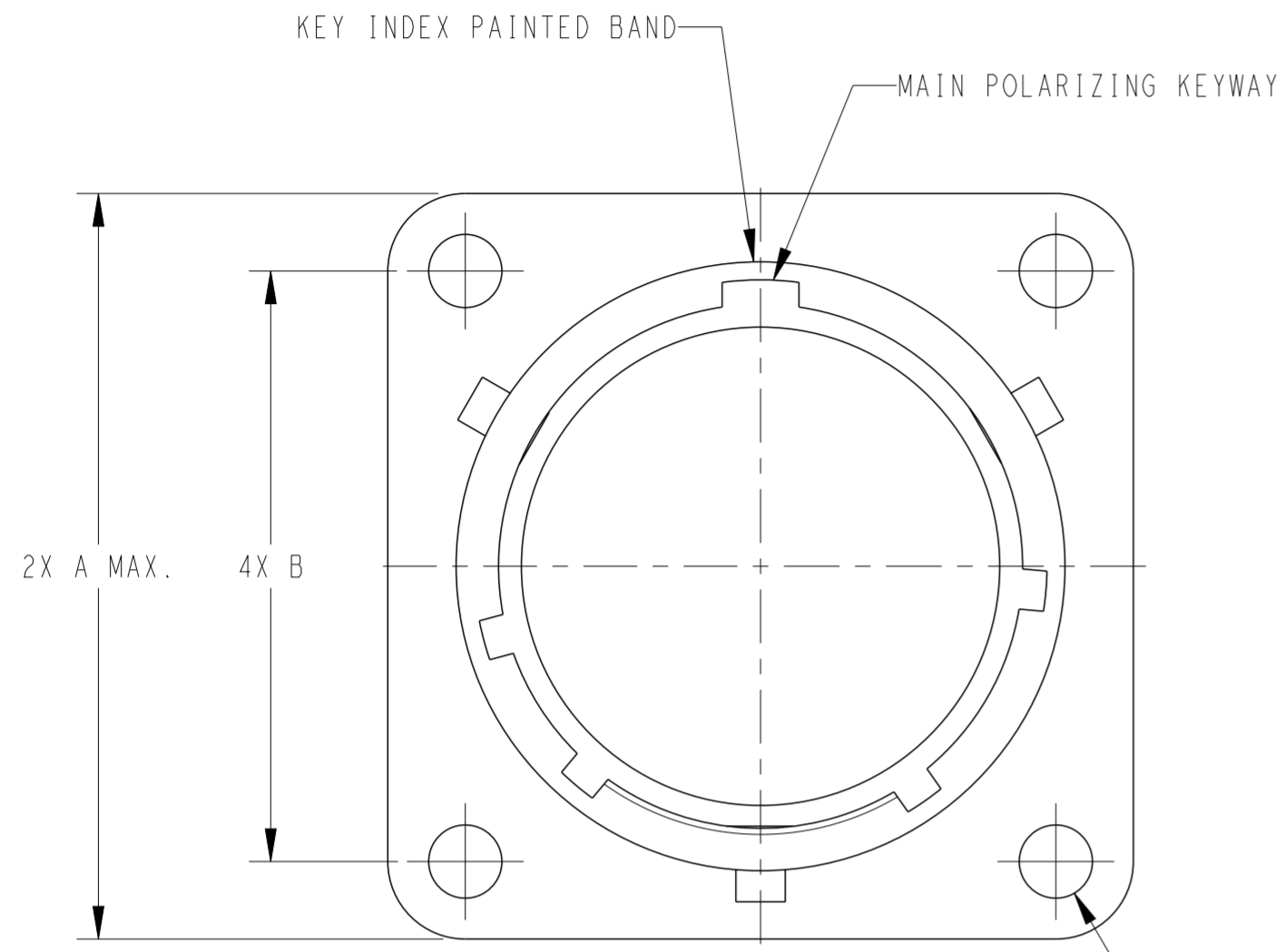


THIS DRAWING IS UNPUBLISHED. 2021 TE Connectivity. All Rights Reserved. RELEASED FOR PUBLICATION ALL RIGHTS RESERVED.

P		LTR	DESCRIPTION	DATE	DWN	APVD
	F		REVISED PER E.O. C4087	990722	NA	MK
	G		REVISED PER ECO-21-000428	210115	IF	AR
	-		-	-	-	-
	-		-	-	-	-



4X MOUNTING HOLE Ø.120±.005 FOR SIZES 8 THRU 22 AND Ø.147±.005 HOLE FOR SIZE 24

PART NUMBER	A MAX	B ±.005	C +.001 -.005	D MAX	E +.031 -.000	F±.015	G MAX	H THREAD	MAX. WEIGHT IN LBS	
									PIN	SOC
AFD50-8-xxP/Sx	.828	.594	.473	.617	.431	.062	1.492	.500-20UNF	.0207	.0227
AFD50-10-xxP/Sx	.954	.719	.590	.734	.431	.062	1.492	.625-24UNEF	.0306	.0317
AFD50-12-xxP/Sx	1.047	.812	.750	.858	.431	.062	1.492	.750-20-UNEF	.0406	.0453
AFD50-14-xxP/Sx	1.141	.906	.875	.984	.431	.062	1.492	.875-20UNEF	.0503	.0555
AFD50-16-xxP/Sx	1.234	.969	1.000	1.112	.431	.062	1.492	1.000-20UNEF	.0632	.0715
AFD50-18-xxP/Sx	1.328	1.062	1.125	1.218	.431	.062	1.492	1.0625-18UNEF	.0716	.0770
AFD50-20-xxP/Sx	1.453	1.156	1.250	1.345	.556	.094	1.552	1.1875-18UNEF	.0893	.0902
AFD50-22-xxP/Sx	1.578	1.250	1.375	1.468	.556	.094	1.552	1.3125-18UNEF	.1018	.1128
AFD50-24-xxP/Sx	1.703	1.375	1.500	1.593	.589	.094	1.552	1.4375-18UNEF	.1214	.1352

- CONNECTOR FINISH: ELECTROLESS NICKEL PER MIL-C-26074, CLASS 3 GRADE A.
- CONNECTOR WEIGHTS ARE SHOWN LESS CONTACTS.
- FOR BACKSHELL WITH STRAIGHT STRAIN RELIEF OR 90° STRAIN RELIEF, CONSULT FACTORY.
- THE CONNECTOR IS DESIGNED TO MEET THE PERFORMANCE AND DIMENSIONAL REQUIREMENTS OF MIL-C-26482 CLASS R. AND IS SUPPLIED WITH BACKSHELL.
- FOR AVAILABLE CONTACT ARRANGEMENTS AND ALTERNATE INSERT POSITIONS, SEE INFORMATION DRAWING 0925-209-0000.

NOTES UNLESS OTHERWISE SPECIFIED:

THIS DRAWING IS A CONTROLLED DOCUMENT.		DWN D. WHITACRE 940630	TE Connectivity		
DIMENSIONS: IN		CHK J. POWELL 940706			
TOLERANCES UNLESS OTHERWISE SPECIFIED:		APVD B. HARRINGTON 940630	NAME RECEPTACLE SQUARE FLANGE MTG. BAYONET COUPLING CONNECTOR MIL-C-26482 TYPE		
0 PLC ±- 1 PLC ±.1 2 PLC ±.01 3 PLC ±.001 4 PLC ±.0001 ANGLES ±		PRODUCT SPEC MIL-C-26482	SIZE A2	CAGE CODE 11139	DRAWING NO AFD50-xx-xxP/Sx
MATERIAL -		FINISH -	WEIGHT -	RESTRICTED TO -	SCALE 7:2
SEE NOTES		CUSTOMER DRAWING	SHEET 1	OF 1	REV G

X-ON Electronics

Largest Supplier of Electrical and Electronic Components

Click to view similar products for [Circular MIL Spec Connector](#) category:

Click to view products by [TE Connectivity](#) manufacturer:

Other Similar products are found below :

[0025-262-542](#) [0025-264-3014](#) [58-570121-04S](#) [0134-202-1200](#) [0134-207-1206](#) [0134-207-1800](#) [0134-207-2207](#) [0134-213-0806](#) [0134-213-1007](#) [0134-213-1009](#) [0134-213-1208](#) [0134-213-1800](#) [0134-213-2209](#) [0025-258-000](#) [015-9516-002](#) [60-042722-19P](#) [0114-201-1278](#) [602GB06EG24-61SN](#) [0134-201-1207](#) [0134-201-1806](#) [0134-201-2006](#) [0134-201-2007](#) [0134-201-2010](#) [0134-202-1400](#) [0134-207-0809](#) [0134-207-1208](#) [0134-207-2009](#) [0134-213-1006](#) [6104-207-2302](#) [6104-208-1902](#) [6104-215-0902](#) [6131-202-19149P](#) [6131-204-21149P](#) [6131-207-13149P](#) [6131-208-13149P](#) [6131-209-17149P](#) [6131-210-11149P](#) [6131-211-19149P](#) [6131-216-19149P](#) [6131-220-25149P](#) [6131-259-11149P](#) [6131-259-21149P](#) [6131-259-23149P](#) [6131-263-19149P](#) [6131-265-17149P](#) [6131-265-19149P](#) [CS3102A-20-15P](#) [CS3102C18-4P-472](#) [CS3106A-10SL-53S](#) [CS3106A-10SL-64S](#)