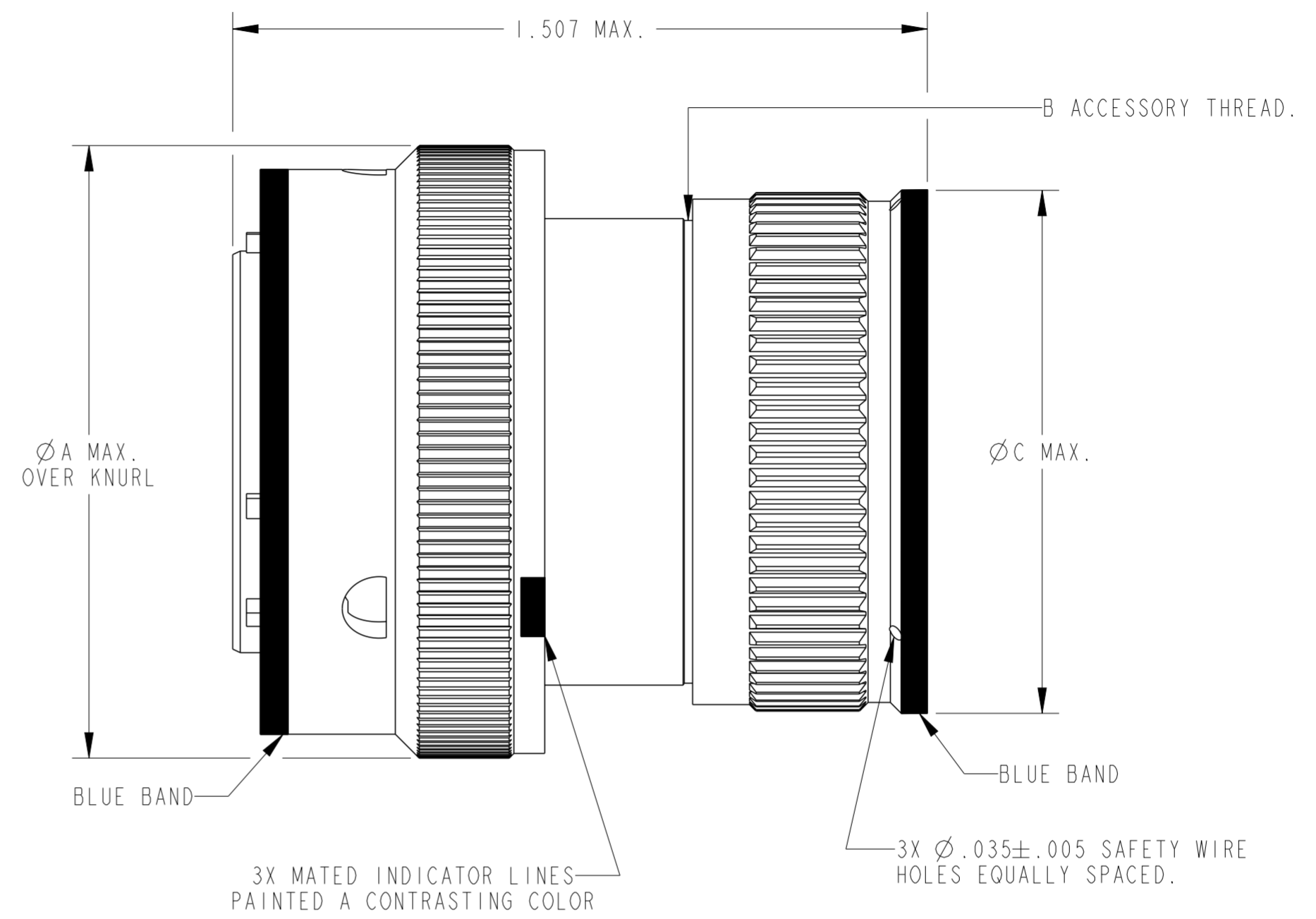
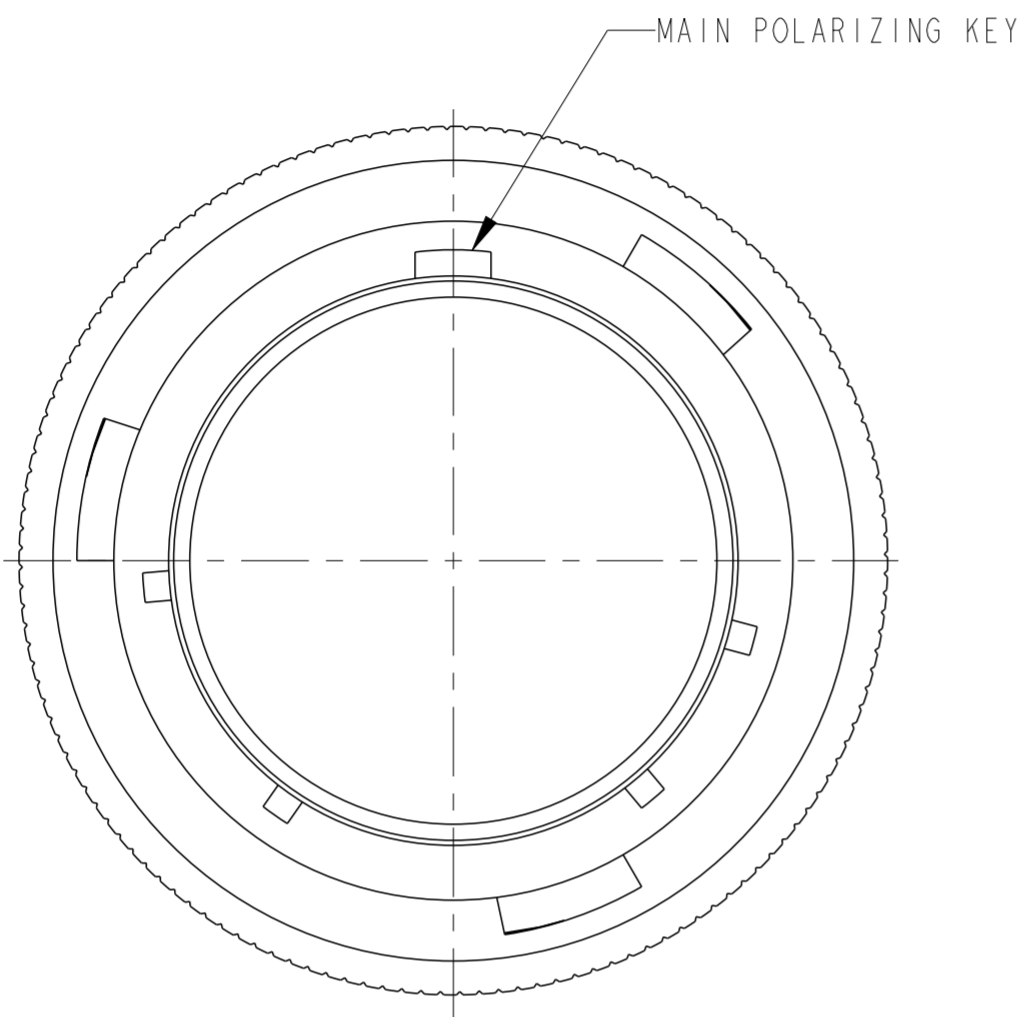


THIS DRAWING IS UNPUBLISHED  
 2021 TE Connectivity. All Rights Reserved  
 RELEASED FOR PUBLICATION  
 ALL RIGHTS RESERVED.

| LOC |     | DIST                      |        | REVISIONS |      |  |  |
|-----|-----|---------------------------|--------|-----------|------|--|--|
| P   | LTR | DESCRIPTION               | DATE   | DWN       | APVD |  |  |
| D   |     | REVISED PER E.O. C4087    | 990722 | -         | MK   |  |  |
| E   |     | REVISED PER ECO-21-000428 | 210113 | IF        | AR   |  |  |
| -   | -   | -                         | -      | -         | -    |  |  |
| -   | -   | -                         | -      | -         | -    |  |  |



| PART NUMBER     | A MAX | B THREAD       | C MAX | MAX. WEIGHT IN LBS |       |
|-----------------|-------|----------------|-------|--------------------|-------|
|                 |       |                |       | PIN                | SOC   |
| AFD56-8-xxP/Sx  | .782  | .500-20 UNF    | .617  | .0260              | .0271 |
| AFD56-10-xxP/Sx | .926  | .625-24 UNEF   | .734  | .0359              | .0383 |
| AFD56-12-xxP/Sx | 1.043 | .750-20 UNEF   | .858  | .0521              | .0554 |
| AFD56-14-xxP/Sx | 1.183 | .875-20 UNEF   | .984  | .0673              | .0751 |
| AFD56-16-xxP/Sx | 1.305 | 1.000-20 UNEF  | 1.112 | .0798              | .0883 |
| AFD56-18-xxP/Sx | 1.391 | 1.0625-18 UNEF | 1.218 | .0951              | .1037 |
| AFD56-20-xxP/Sx | 1.531 | 1.1875-18 UNEF | 1.345 | .1102              | .1213 |
| AFD56-22-xxP/Sx | 1.656 | 1.3125-18 UNEF | 1.468 | .1318              | .1463 |
| AFD56-24-xxP/Sx | 1.777 | 1.4375-18 UNEF | 1.593 | .1471              | .1627 |

1. CONNECTOR FINISH: ELECTROLESS NICKEL PER MIL-C-26074, CLASS 3 GRADE A.
  2. CONNECTOR WEIGHTS ARE SHOWN LESS CONTACTS.
  3. FOR BACKSHELL WITH STRAIGHT STRAIN RELIEF OR 90° STRAIN RELIEF, CONSULT FACTORY.
  4. THE CONNECTOR IS DESIGNED TO MEET THE PERFORMANCE AND DIMENSIONAL REQUIREMENTS OF MIL-C-26482 CLASS R. AND IS SUPPLIED WITH BACKSHELL.
  5. FOR AVAILABLE CONTACT ARRANGEMENTS AND ALTERNATE INSERT POSITIONS, SEE INFORMATION DRAWING 0925-209-0000.
- NOTES UNLESS OTHERWISE SPECIFIED:

|   |  |                              |                                   |                     |
|---|--|------------------------------|-----------------------------------|---------------------|
| THIS DRAWING IS A CONTROLLED DOCUMENT.  |  | DWN<br>D. WHITACRE 940630    | TE Connectivity                   |                     |
| DIMENSIONS:<br>IN   |  | CHK<br>J. POWELL 940607      |                                   |                     |
| TOLERANCES UNLESS OTHERWISE SPECIFIED:  |  | APVD<br>B. HARRINGTON 940630 | NAME<br>CONNECTOR, PLUG           |                     |
| 0 PLC ±.1<br>1 PLC ±.02<br>2 PLC ±.005<br>3 PLC ±.005<br>4 PLC ±.0005<br>ANGLES ±.1<br>FINISH - |  | PRODUCT SPEC<br>-            | BAYONET COUPLING MIL-C-26482 TYPE |                     |
| MATERIAL<br>-   |  | APPLICATION SPEC<br>-        | SIZE<br>A2                        | CAGE CODE<br>111139 |
| SEE NOTES   |  | WEIGHT<br>-                  | DRAWING NO<br>AFD56-xx-xxP/Sx     | RESTRICTED TO<br>-  |
|   |  | CUSTOMER DRAWING             | SCALE<br>1:1                      | SHEET<br>1 OF 1     |
|   |  |                              |                                   | REV<br>E            |

## X-ON Electronics

Largest Supplier of Electrical and Electronic Components

*Click to view similar products for [Circular MIL Spec Connector](#) category:*

*Click to view products by [TE Connectivity](#) manufacturer:*

Other Similar products are found below :

[0025-262-542](#) [0025-264-3014](#) [58-570121-04S](#) [0134-202-1200](#) [0134-207-1206](#) [0134-207-1800](#) [0134-207-2207](#) [0134-213-0806](#) [0134-213-1007](#) [0134-213-1009](#) [0134-213-1208](#) [0134-213-1800](#) [0134-213-2209](#) [0025-258-000](#) [015-9516-002](#) [60-042217-10P](#) [60-042722-19P](#) [0114-201-1278](#) [602GB06EG24-61SN](#) [0134-201-1207](#) [0134-201-1806](#) [0134-201-2006](#) [0134-201-2007](#) [0134-201-2010](#) [0134-202-1400](#) [0134-207-0809](#) [0134-207-1208](#) [0134-207-2009](#) [0134-213-1006](#) [6104-207-2302](#) [6104-208-1902](#) [6131-202-19149P](#) [6131-204-21149P](#) [6131-207-13149P](#) [6131-208-13149P](#) [6131-209-17149P](#) [6131-210-11149P](#) [6131-211-19149P](#) [6131-216-19149P](#) [6131-220-25149P](#) [6131-259-11149P](#) [6131-259-21149P](#) [6131-259-23149P](#) [6131-263-19149P](#) [6131-265-17149P](#) [6131-265-19149P](#) [CS3102A-20-15P](#) [CS3102A-20-15S](#) [CS3102A-28-15S](#) [CS3106A-10SL-53S](#)