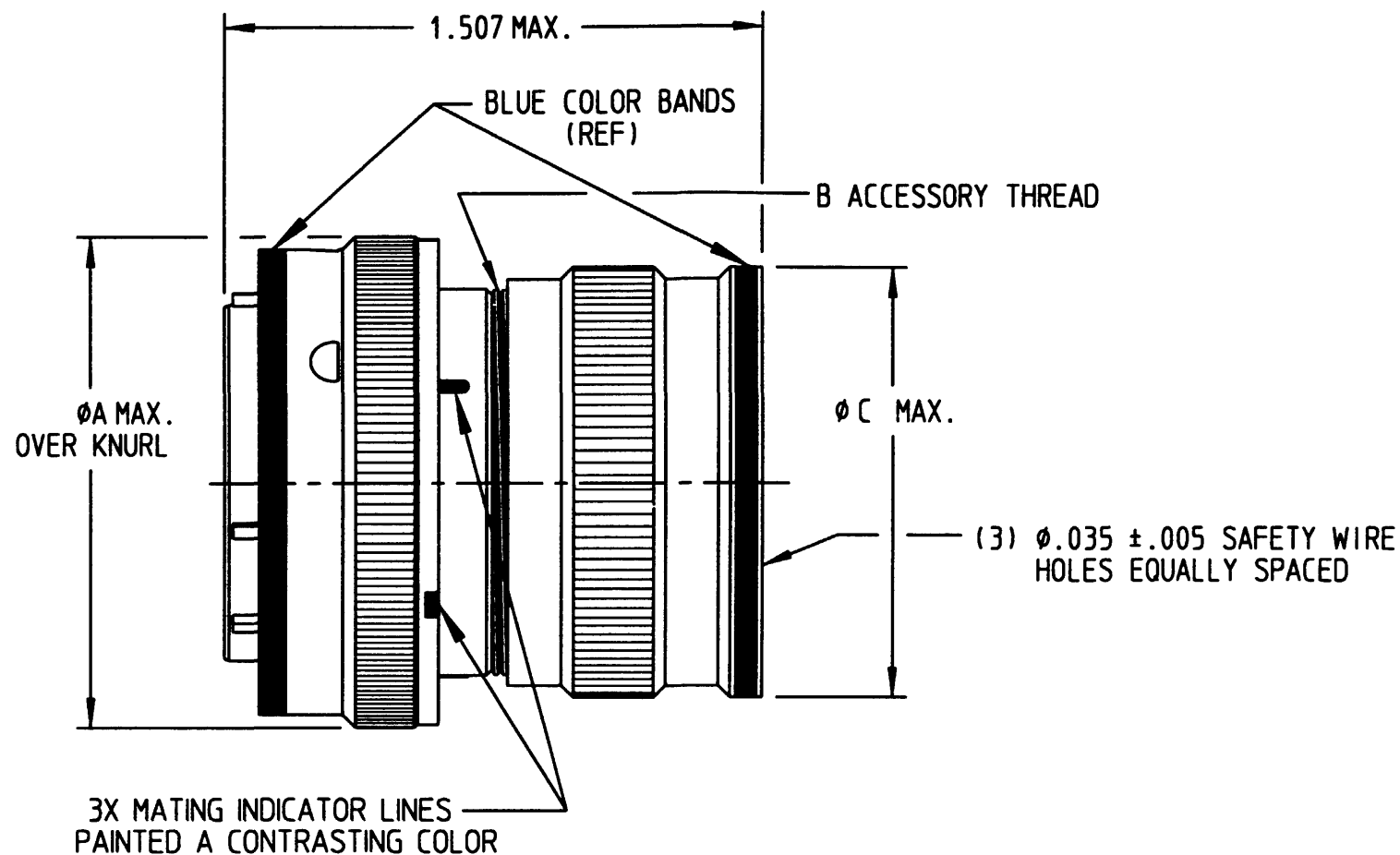
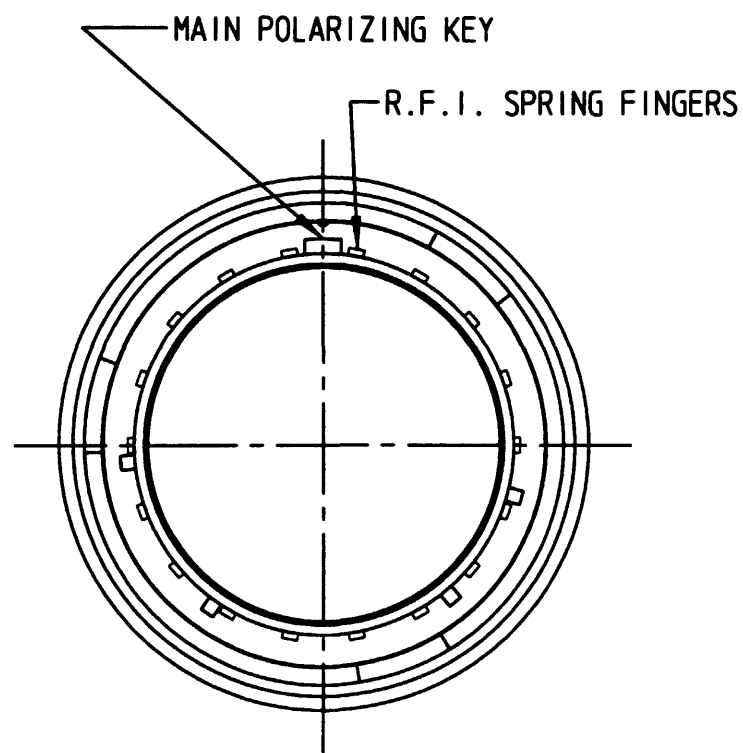


PROPERTY OF DEUTSCH E.C.D.

This drawing contains proprietary information that shall not be disclosed, duplicated, nor used in whole or in part for any purpose other than to evaluate this drawing.

| | | | | |
|---|-----------------|--------------------------------|-------------|------|
| F | AFD57-**-**P/S* | REVISIONS | | |
| | | REV | DESCRIPTION | DATE |
| F | | CHANGED PER E.O. C4087 / C4624 | 7/25/99 | M.K. |



8. DURABILITY 100 CYCLES MINIMUM.
7. FOR CONNECTOR MATING AND UNMATING FORCES SEE TABLE.
6. FOR AVAILABLE CONTACT ARRANGEMENTS AND ALTERNATE INSERT POSITIONS, SEE 38500 B SHEETS IN DBA CATALOG SECTION.
5. THE CONNECTOR IS DESIGNED TO MEET THE PERFORMANCE AND DIMENSIONAL REQUIREMENTS OF MIL-C-26482 CLASS R AND IS SUPPLIED WITH BACKSHELL.
4. FOR BACKSHELL WITH STRAIGHT STRAIN RELIEF OR 90° STRAIN RELIEF, CONSULT FACTORY.
3. CONNECTOR WEIGHTS ARE SHOWN LESS CONTACTS.
2. CONNECTOR FINISH: ELECTROLESS NICKEL PER MIL-C-26074, CLASS 3, GRADE A.
1. DIMENSIONS ARE IN INCHES UNLESS OTHERWISE SPECIFIED.

| PART NUMBER | A MAX. | B THREAD | C MAX. | MAX. WEIGHTS IN POUNDS | | TORQUE INCH POUNDS MAXIMUM |
|--------------------|--------|---------------|--------|------------------------|-------|----------------------------|
| | | | | PIN | SOC | |
| AFD57-8-**-**P/S* | .782 | .500 -20UNF | .617 | .0260 | .0271 | 9.6 |
| AFD57-10-**-**P/S* | .926 | .625 -24UNEF | .734 | .0359 | .0383 | 12.0 |
| AFD57-12-**-**P/S* | 1.043 | .750 -20UNEF | .858 | .0521 | .0554 | 16.8 |
| AFD57-14-**-**P/S* | 1.183 | .875 -20UNEF | .984 | .0673 | .0751 | 20.4 |
| AFD57-16-**-**P/S* | 1.305 | 1.000 -20UNEF | 1.112 | .0798 | .0883 | 27.6 |
| AFD57-18-**-**P/S* | 1.391 | 1.0625-18UNEF | 1.218 | .0951 | .1037 | 31.2 |
| AFD57-20-**-**P/S* | 1.531 | 1.1875-18UNEF | 1.345 | .1102 | .1213 | 37.2 |
| AFD57-22-**-**P/S* | 1.656 | 1.3125-18UNEF | 1.468 | .1318 | .1463 | 45.6 |
| AFD57-24-**-**P/S* | 1.777 | 1.4375-18UNEF | 1.593 | .1471 | .1627 | 45.6 |

| | |
|------------------|----------------------------|
| SIGNATURE & DATE | |
| DR | D.WHITACRE 6/30/94 |
| CHK | JO POWELL 7/6/94 |
| PE | D.WHITACRE 6/30/94 |
| APPD | <i>[Signature]</i> 8/23/00 |
| SCALE | NONE WT _____ |

CONNECTOR, PLUG
BAYONET COUPLING
MIL-C-26482 TYPE
WITH R.F.I. GROUNDING FINGERS

ENVELOPE

| | |
|---|------------------------|
| CP | MATL CODE |
| DEUTSCH ENGINEERED CONNECTING DEVICES 5733 W. Whittier Ave. Hemel, California | |
| A | AFD57-**-**P/S* |
| DWG SIZE | CODE 1139 SHEET 1 OF 1 |

X-ON Electronics

Largest Supplier of Electrical and Electronic Components

Click to view similar products for [Circular MIL Spec Connector](#) category:

Click to view products by [TE Connectivity](#) manufacturer:

Other Similar products are found below :

[89075GULPR](#) [0025-264-3014](#) [58-570121-04S](#) [58-584653-12P](#) [0134-213-1007](#) [0134-213-1208](#) [0134-213-2209](#) [0025-258-000](#) [60-042022-02P](#) [60-042022-19P](#) [60-042022-23P](#) [012-0467-000](#) [602GB06EG24-61SN](#) [0134-201-1207](#) [0134-207-2009](#) [0134-213-1006](#) [6104-207-2302](#) [6104-208-1902](#) [6131-202-19149P](#) [6131-204-21149P](#) [6131-207-13149P](#) [6131-208-13149P](#) [6131-209-17149P](#) [6131-210-11149P](#) [6131-211-19149P](#) [6131-216-19149P](#) [6131-220-25149P](#) [6131-259-11149P](#) [6131-259-21149P](#) [6131-259-23149P](#) [6131-263-19149P](#) [6131-265-17149P](#) [6131-265-19149P](#) [6134-203-21149](#) [CS3100A18-1P-472](#) [CS3100A-36-77S](#) [CS3101A36-79S-SR](#) [CS3102A-10SL-53P](#) [CS3102A10SL-64S](#) [CS3102A-20-15S](#) [CS3102A-22-70S](#) [CS3102A-24-79S](#) [CS3102A24-AJS](#) [CS3102A-32-17P](#) [CS3102A32-25S](#) [CS3106A10SL3S004](#) [CS3106A-18-73S](#) [CS3106A-28-20P](#) [CS3106A-32-82S](#) [CS3106A36-79P-SR](#)