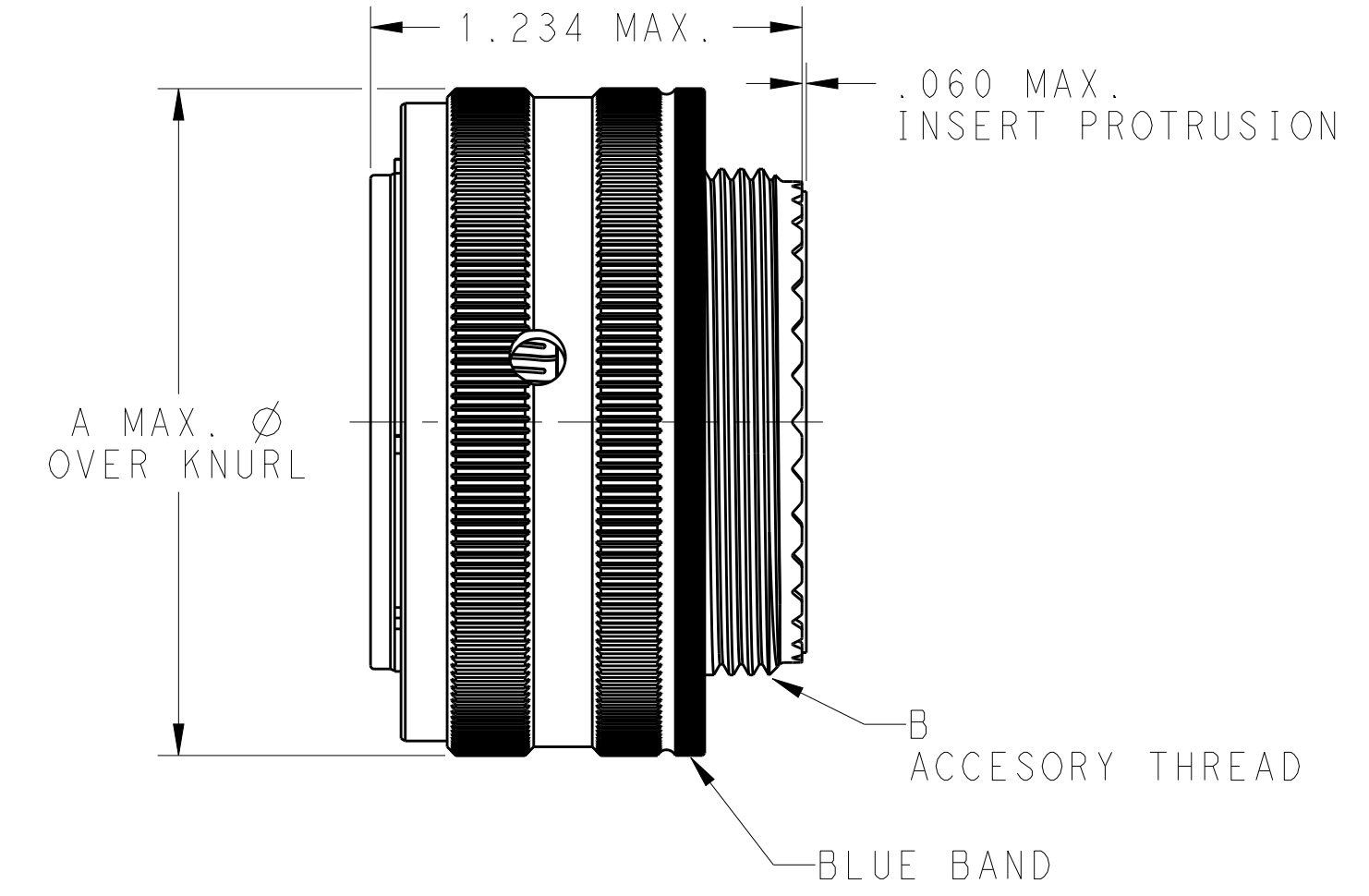
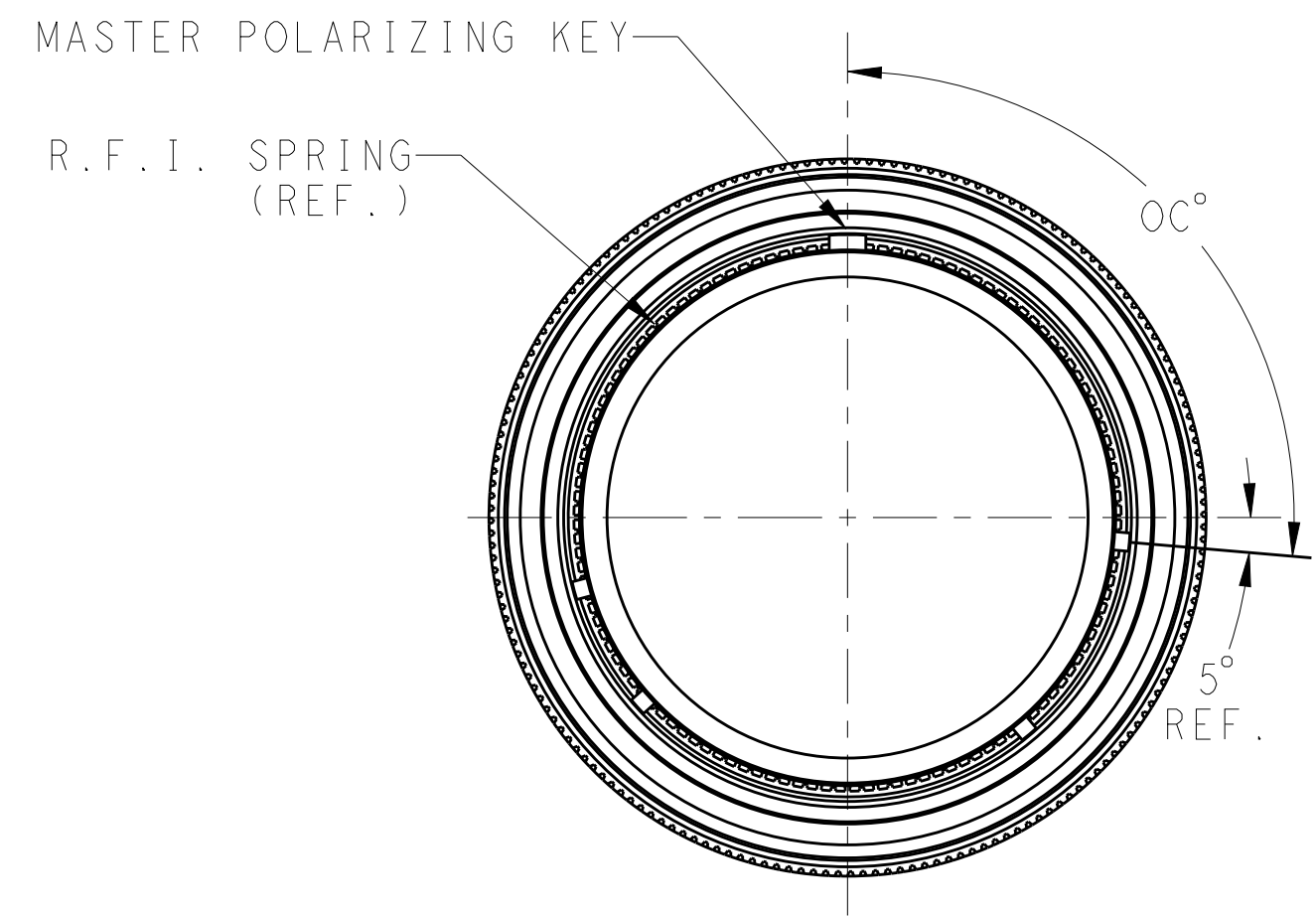


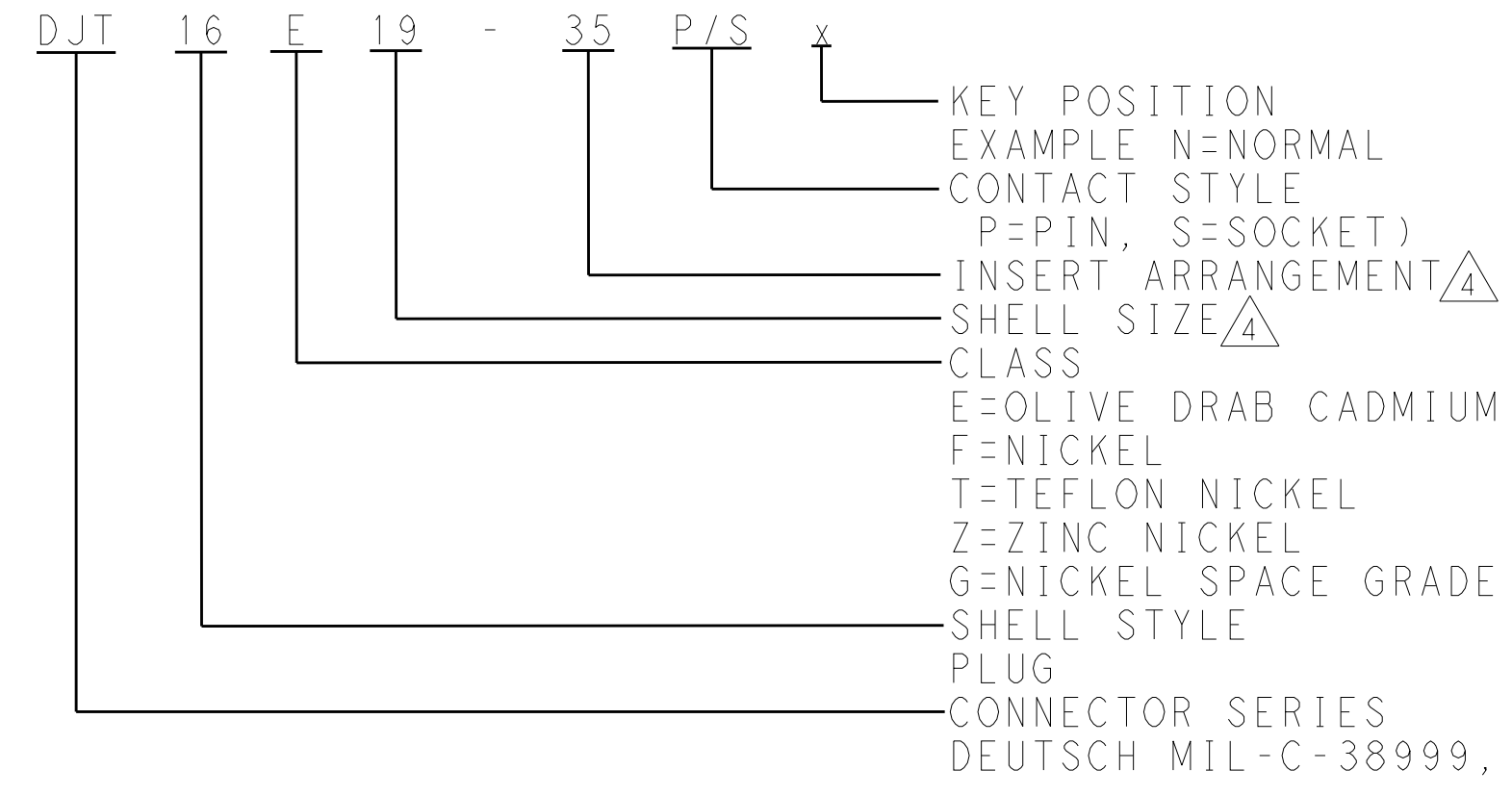
THIS DRAWING IS UNPUBLISHED. RELEASED FOR PUBLICATION 20
 © COPYRIGHT 20 BY - ALL RIGHTS RESERVED.

PROPERTY OF TE CONNECTIVITY
 THIS INFORMATION IS CONFIDENTIAL AND PROPRIETARY TO TYCO ELECTRONICS CORPORATION
 AND ITS WORLDWIDE SUBSIDIARIES AND AFFILIATES (TE). IT MAY NOT BE DISCLOSED TO
 ANYONE, OTHER THAN TE PERSONNEL, WITHOUT AUTHORIZATION FROM TE (www.TE.com).

LOC		DIST		REVISIONS			
P	LTR	DESCRIPTION	DATE	DWN	APVD		
1		PRELIMINARY RELEASE	160125	SS	EA		



EXAMPLE OF PART NUMBER:



PART NUMBER xx	SHELL SIZE	A Ø MAX.	B THREAD UNEF-2A	ALTERNATE MASTERKEY POSITION 0C°				
				N	A	B	C	D
DJT16x09-xxP/Sx	09	.859	.4375-28	95°	77°			113°
DJT16x11-xxP/Sx	11	.984	.5625-24	95°	81°	67°	123°	109°
DJT16x13-xxP/Sx	13	1.156	.6875-24	95°	75°	63°	127°	115°
DJT16x15-xxP/Sx	15	1.281	.8125-20	95°	74°	61°	129°	116°
DJT16x17-xxP/Sx	17	1.406	.9375-20	95°	77°	65°	125°	113°
DJT16x19-xxP/Sx	19	1.516	1.0625-18	95°	77°	65°	125°	113°
DJT16x21-xxP/Sx	21	1.641	1.1875-18	95°	77°	65°	125°	113°
DJT16x23-xxP/Sx	23	1.766	1.3125-18	95°	80°	69°	121°	110°
DJT16x25-xxP/Sx	25	1.891	1.4375-18	95°	80°	69°	121°	110°

⁴ FOR APPLICABLE KEYING DIAGRAM AND AVAILABLE INSERT ARRANGEMENTS SEE MIL-C-38999 SERIES I AND MIL-STD-1560.

3. GENERAL SPECIFICATIONS: THIS CONNECTOR MEETS THE PERFORMANCE AND INTERMATEABILITY REQUIREMENTS OF MIL-C-38999, SERIES I.

2. MATERIAL/FINISH:
 SHELL AND COUPLING RING: ALUMINUM ALLOY, SEE ABOVE.
 CONTACTS: COOPER ALLOY, GOLD PLATED.
 RESILIENT INSERTS: SILICONE ELASTOMER
 PLASTIC INSERT: RIGID DIELECTRIC PLASTIC.

1. ALL DIMENSIONS ARE IN INCHES UNLESS OTHERWISE SPECIFIED.

NOTES: UNLESS OTHERWISE SPECIFIED.

THIS DRAWING IS A CONTROLLED DOCUMENT.		DWN SAMUEL S. 160126	STE TE Connectivity	
DIMENSIONS: INCHES		CHK		
TOLERANCES UNLESS OTHERWISE SPECIFIED:		APVD	NAME	
0 PLC ±.1		PRODUCT SPEC	PLUG BAYONET COUPLING CONNECTOR	
1 PLC ±.01		APPLICATION SPEC	CRIMP TYPE CONTACTS	
2 PLC ±.005		WEIGHT	MIL-C-38999 SERIES I - ENVELOPE	
3 PLC ±.0005		CUSTOMER DRAWING	SIZE A2	CAGE CODE
4 PLC ANGLES ±.5°		SCALE NONE	DRAWING NO. C-DJT16xxx-xxP/Sx	RESTRICTED TO
FINISH		SHEET 1 OF 1	REV 1	

X-ON Electronics

Largest Supplier of Electrical and Electronic Components

Click to view similar products for [Circular MIL Spec Connector](#) category:

Click to view products by [TE Connectivity](#) manufacturer:

Other Similar products are found below :

[0025-262-542](#) [0025-264-3014](#) [58-570121-04S](#) [0134-202-1200](#) [0134-207-1206](#) [0134-207-1800](#) [0134-207-2207](#) [0134-213-0806](#) [0134-213-1007](#) [0134-213-1009](#) [0134-213-1208](#) [0134-213-1800](#) [0134-213-2209](#) [0025-258-000](#) [015-9516-002](#) [60-042217-10P](#) [60-042722-19P](#) [0114-201-1278](#) [602GB06EG24-61SN](#) [0134-201-1207](#) [0134-201-1806](#) [0134-201-2006](#) [0134-201-2007](#) [0134-201-2010](#) [0134-202-1400](#) [0134-207-0809](#) [0134-207-1208](#) [0134-207-2009](#) [0134-213-1006](#) [6104-207-2302](#) [6104-208-1902](#) [6104-215-0902](#) [6131-202-19149P](#) [6131-204-21149P](#) [6131-207-13149P](#) [6131-208-13149P](#) [6131-209-17149P](#) [6131-210-11149P](#) [6131-211-19149P](#) [6131-216-19149P](#) [6131-220-25149P](#) [6131-259-11149P](#) [6131-259-21149P](#) [6131-259-23149P](#) [6131-263-19149P](#) [6131-265-17149P](#) [6131-265-19149P](#) [CS3102A-20-15P](#) [CS3102A-20-15S](#) [CS3102A-28-15S](#)