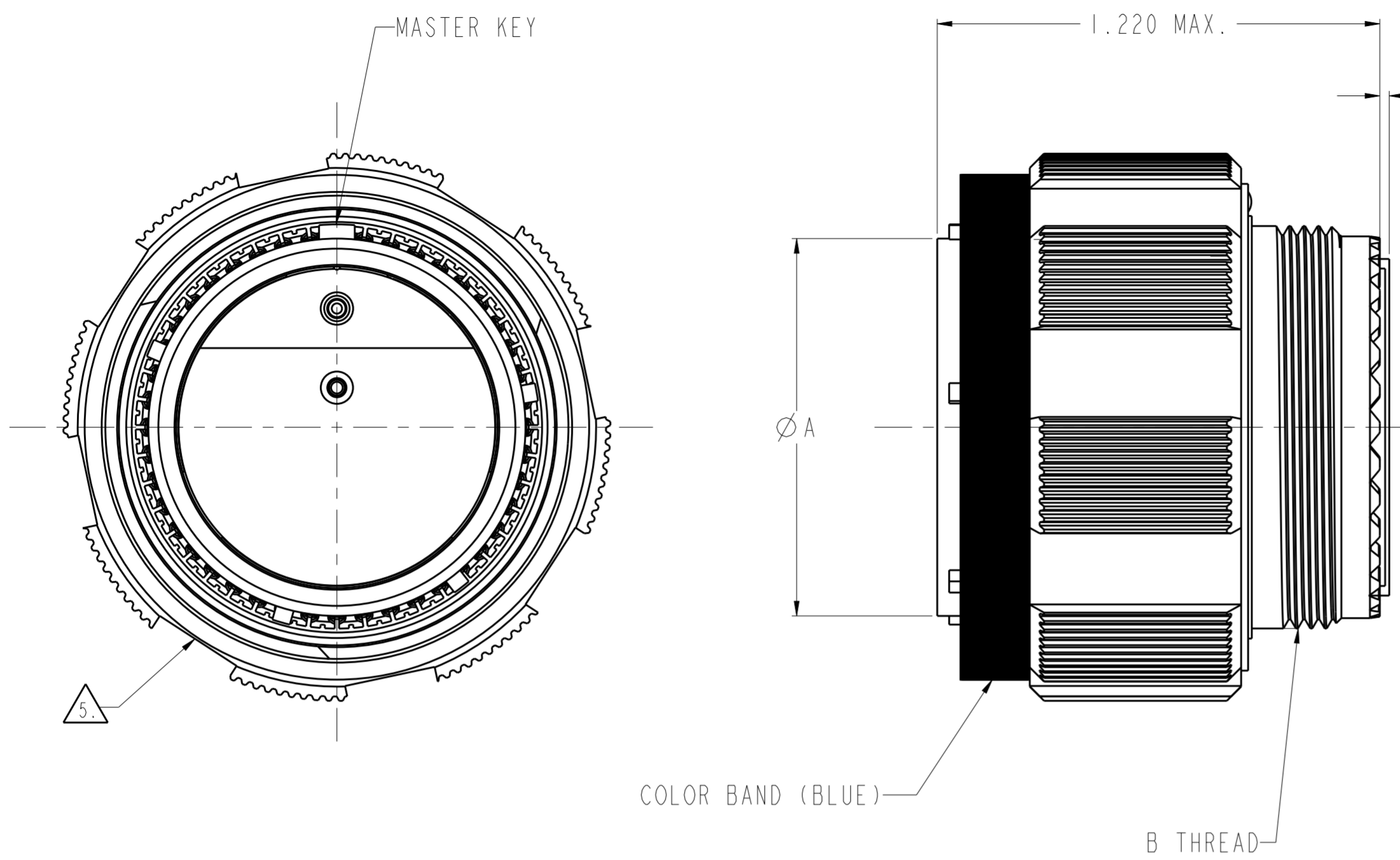


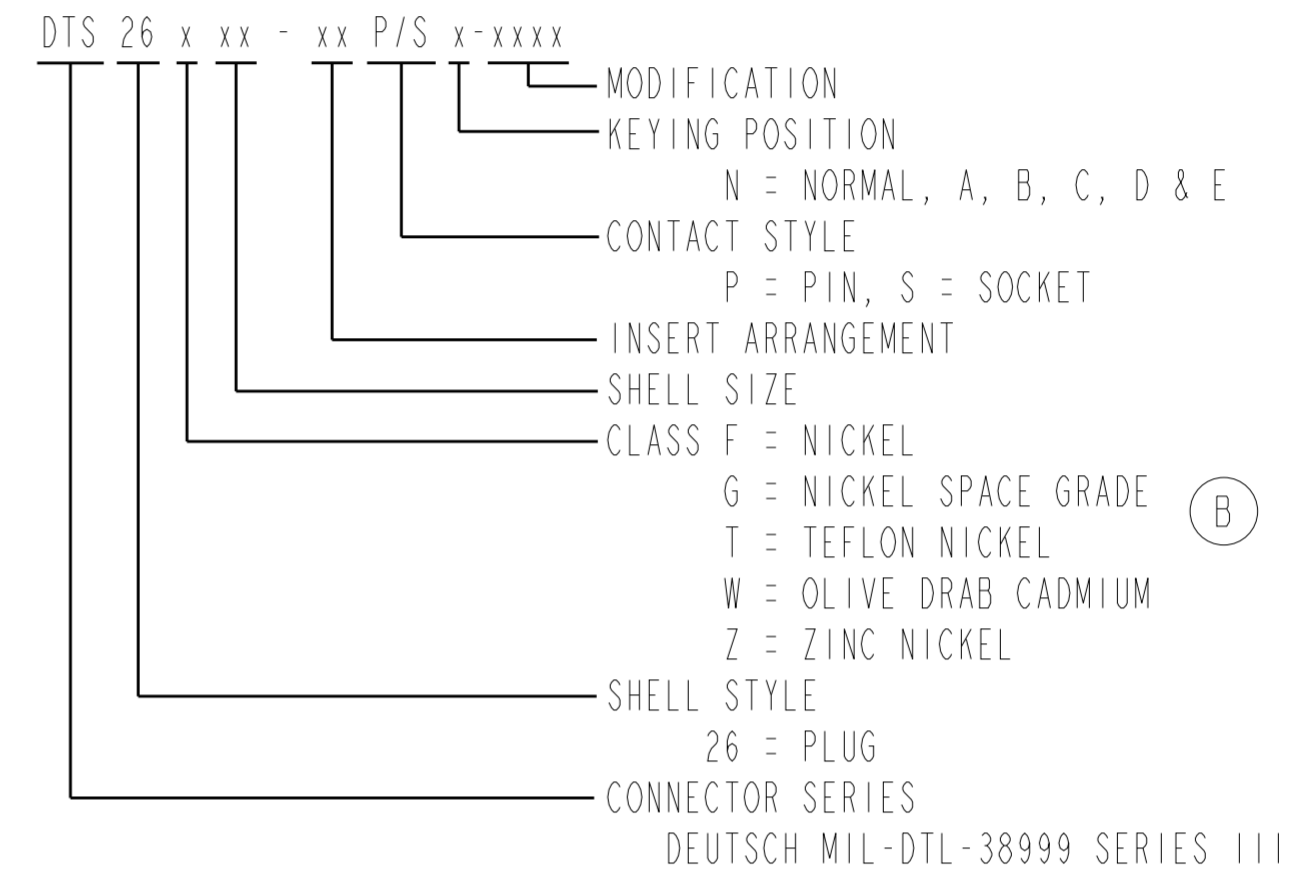
THIS DRAWING IS UNPUBLISHED. RELEASED FOR PUBLICATION 20
 © COPYRIGHT 20 BY - ALL RIGHTS RESERVED.

T.E. PROPRIETARY AND CONFIDENTIAL
 This drawing contains proprietary information that shall not be disclosed, duplicated nor used in whole or in part for any purpose other than to evaluate this drawing.

LOC		DIST		REVISIONS			
P	LTR	DESCRIPTION	DATE	DWN	APVD		
A		REVISED PER E.O. C8206	110510	-	RB		
B		UPDATED PER ECO-14-008850	140506	CB	EA		



EXAMPLE OF PART NUMBER



- ALL DIMENSIONS ARE IN INCHES UNLESS OTHERWISE SPECIFIED. THREAD CALLOUTS ARE METRIC.
- MATERIAL / FINISH: SHELL - ALUMINUM ALLOY/ SEE PART NUMBER EXAMPLE. COUPLING RING - ALUMINUM ALLOY/ SEE PART NUMBER EXAMPLE. RESILIENT INSERTS - SILICONE ELASTOMER. PLASTIC INSERTS - THERMOPLASTIC. CONTACTS - COPPER ALLOY/ GOLD PLATED.
- GENERAL SPECIFICATIONS: THIS CONNECTOR MEETS THE PERFORMANCE AND INTERMATEABILITY REQUIREMENTS OF MIL-DTL-38999, SERIES III.
- FOR APPLICABLE KEYING DIAGRAM, SEE MIL-DTL-38999. FOR INSERT ARRANGEMENTS, SEE MIL-STD-1560.
- FOUR FLATS FOR SHELL SIZES 9 - 17. EIGHT FLATS FOR SHELL SIZES 19 - 25.
- WHEN MOD -7070 IS SPECIFIED CONNECTORS WILL BE SUPPLIED WITH DEUSCHCOAT V PLATED CONTACTS AND AN ADDITIONAL WIRE SEALING GROMMET FOR ENHANCED PERFORMANCE.

PART NUMBER	SIZE	ØA MAX.	B THREAD
DTS26x09-xxP/Sx	09	.858	M12X1.0-6g 0.100R
DTS26x11-xxP/Sx	11	.984	M15X1.0-6g 0.100R
DTS26x13-xxP/Sx	13	1.157	M18X1.0-6g 0.100R
DTS26x15-xxP/Sx	15	1.279	M22X1.0-6g 0.100R
DTS26x17-xxP/Sx	17	1.405	M25X1.0-6g 0.100R
DTS26x19-xxP/Sx	19	1.515	M28X1.0-6g 0.100R
DTS26x21-xxP/Sx	21	1.641	M31X1.0-6g 0.100R
DTS26x23-xxP/Sx	23	1.768	M34X1.0-6g 0.100R
DTS26x25-xxP/Sx	25	1.889	M37X1.0-6g 0.100R

THIS DRAWING IS A CONTROLLED DOCUMENT.

DWN: E. ALAWNEH 070411
 CHK: A. RASMUSSEN 070411
 APVD: ALEX RENGIEO 110511

STE TE Connectivity

NAME: DTS PLUG ENVELOPE

SIZE: A2 CAGE CODE: - DRAWING NO: C-DTS26xxx-xxP/Sx RESTRICTED TO: -

MATERIAL: TBD TOLERANCES UNLESS OTHERWISE SPECIFIED:
 0 PLC ±
 1 PLC ±0.1
 2 PLC ±0.01
 3 PLC ±0.001
 4 PLC ±0.0001
 ANGLES ±
 FINISH

Customer Drawing SCALE: 3.000 SHEET 1 OF 1 REV B

X-ON Electronics

Largest Supplier of Electrical and Electronic Components

Click to view similar products for [Circular MIL Spec Connector](#) category:

Click to view products by [TE Connectivity](#) manufacturer:

Other Similar products are found below :

[89075GULPR](#) [0025-264-3014](#) [58-570121-04S](#) [58-584653-12P](#) [0134-213-1007](#) [0134-213-1208](#) [0134-213-2209](#) [0025-258-000](#) [60-042022-02P](#) [60-042022-19P](#) [60-042022-23P](#) [012-0467-000](#) [602GB06EG24-61SN](#) [0134-201-1207](#) [0134-207-2009](#) [0134-213-1006](#) [6104-207-2302](#) [6104-208-1902](#) [6131-202-19149P](#) [6131-204-21149P](#) [6131-207-13149P](#) [6131-208-13149P](#) [6131-209-17149P](#) [6131-210-11149P](#) [6131-211-19149P](#) [6131-216-19149P](#) [6131-220-25149P](#) [6131-259-11149P](#) [6131-259-21149P](#) [6131-259-23149P](#) [6131-263-19149P](#) [6131-265-17149P](#) [6131-265-19149P](#) [6134-203-21149](#) [CS3100A18-1P-472](#) [CS3100A-36-77S](#) [CS3101A36-79S-SR](#) [CS3102A-10SL-53P](#) [CS3102A10SL-64S](#) [CS3102A-20-15S](#) [CS3102A-22-70S](#) [CS3102A-24-79S](#) [CS3102A24-AJS](#) [CS3102A-32-17P](#) [CS3102A32-25S](#) [CS3106A10SL3S004](#) [CS3106A-18-73S](#) [CS3106A-28-20P](#) [CS3106A-32-82S](#) [CS3106A36-79P-SR](#)