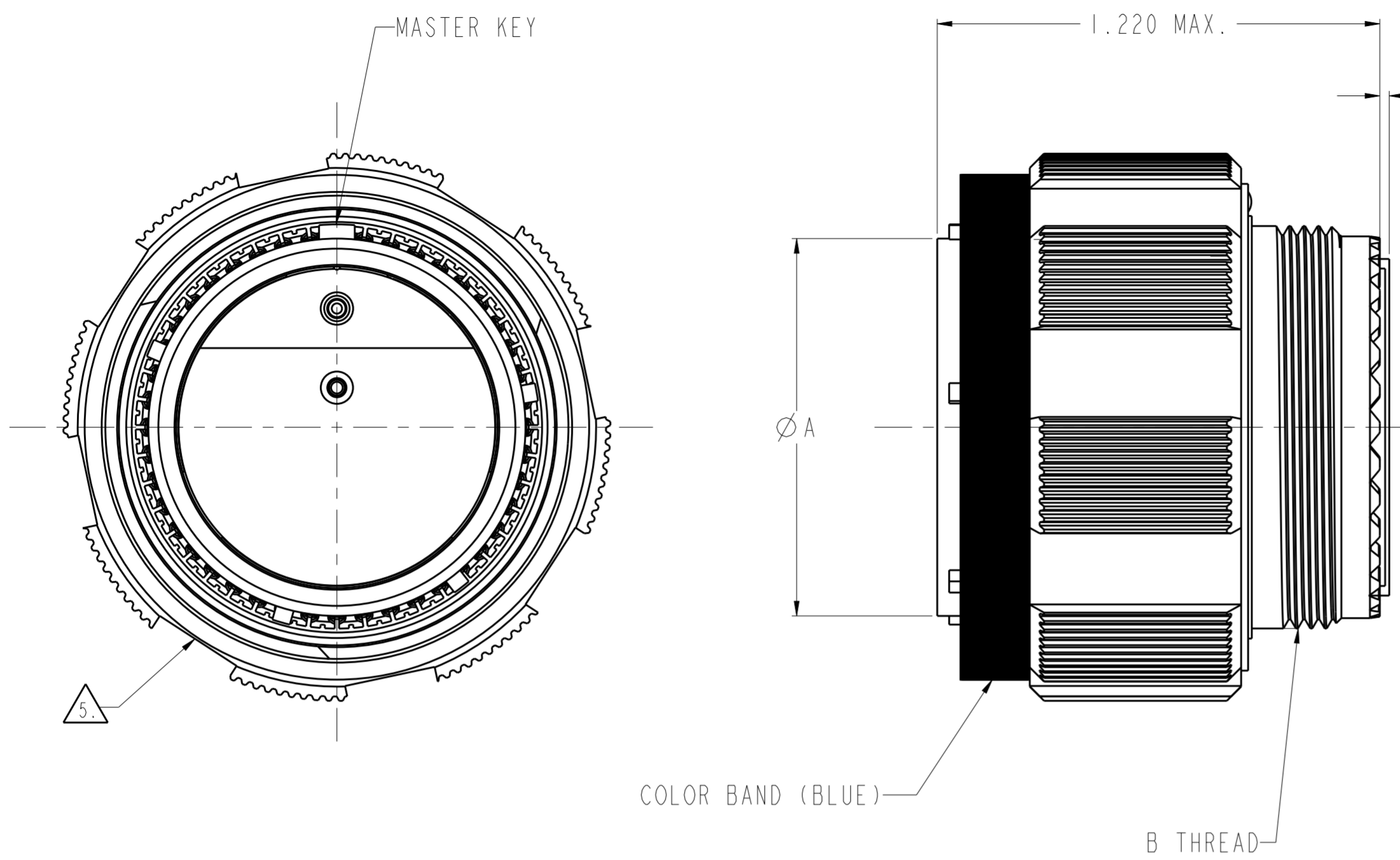


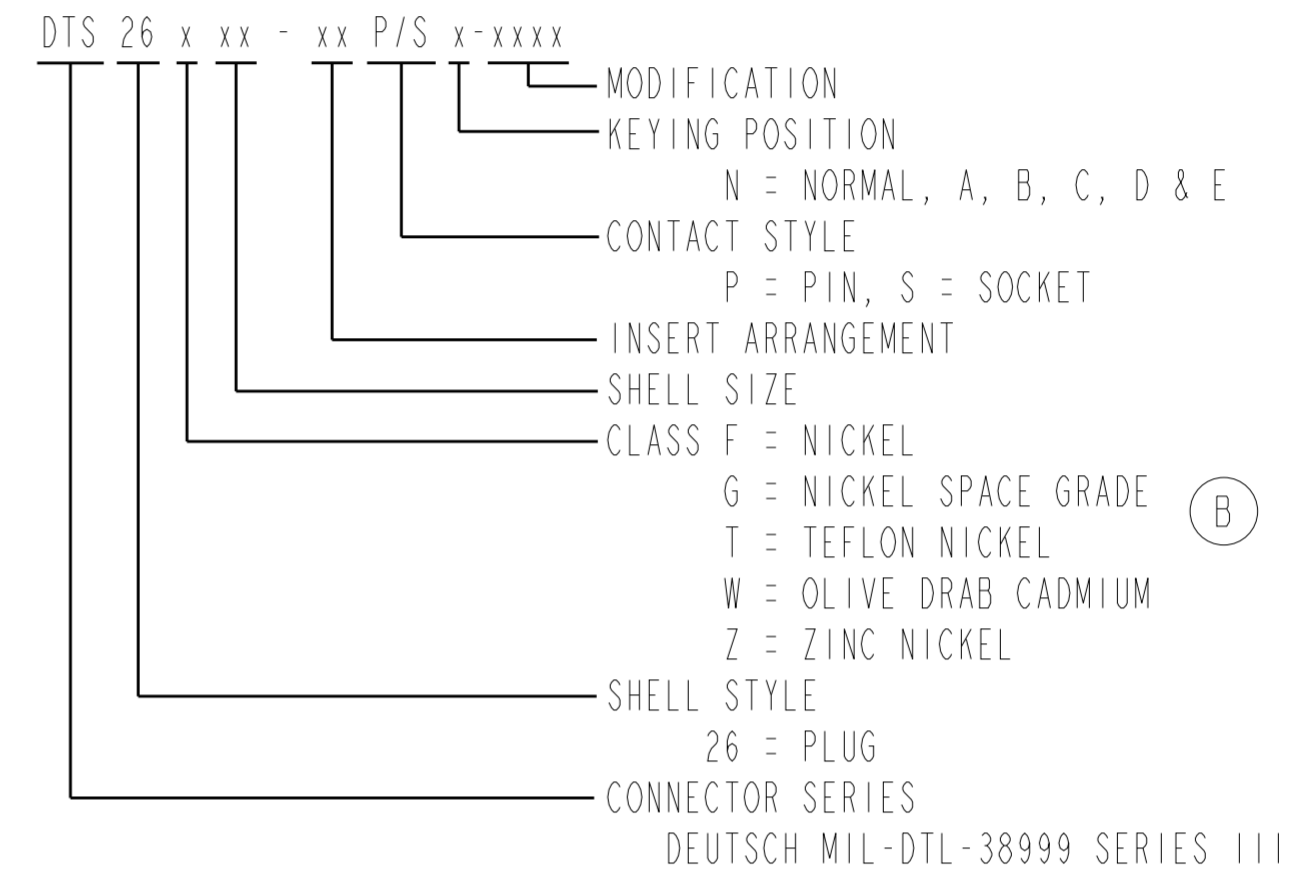
THIS DRAWING IS UNPUBLISHED. RELEASED FOR PUBLICATION 20  
 © COPYRIGHT 20 BY - ALL RIGHTS RESERVED.

**T.E. PROPRIETARY AND CONFIDENTIAL**  
 This drawing contains proprietary information that shall not be disclosed, duplicated nor used in whole or in part for any purpose other than to evaluate this drawing.

LOC		DIST		REVISIONS			
P	LTR	DESCRIPTION	DATE	DWN	APVD		
A		REVISED PER E.O. C8206	110510	-	RB		
B		UPDATED PER ECO-14-008850	140506	CB	EA		



EXAMPLE OF PART NUMBER



- ALL DIMENSIONS ARE IN INCHES UNLESS OTHERWISE SPECIFIED. THREAD CALLOUTS ARE METRIC.
- MATERIAL / FINISH: SHELL - ALUMINUM ALLOY/ SEE PART NUMBER EXAMPLE. COUPLING RING - ALUMINUM ALLOY/ SEE PART NUMBER EXAMPLE. RESILIENT INSERTS - SILICONE ELASTOMER. PLASTIC INSERTS - THERMOPLASTIC. CONTACTS - COPPER ALLOY/ GOLD PLATED.
- GENERAL SPECIFICATIONS: THIS CONNECTOR MEETS THE PERFORMANCE AND INTERMATEABILITY REQUIREMENTS OF MIL-DTL-38999, SERIES III.
- FOR APPLICABLE KEYING DIAGRAM, SEE MIL-DTL-38999. FOR INSERT ARRANGEMENTS, SEE MIL-STD-1560.
- FOUR FLATS FOR SHELL SIZES 9 - 17. EIGHT FLATS FOR SHELL SIZES 19 - 25.
- WHEN MOD -7070 IS SPECIFIED CONNECTORS WILL BE SUPPLIED WITH DEUSCHCOAT V PLATED CONTACTS AND AN ADDITIONAL WIRE SEALING GROMMET FOR ENHANCED PERFORMANCE.

PART NUMBER	SIZE	ØA MAX.	B THREAD
DTS26x09-xxP/Sx	09	.858	M12X1.0-6g 0.100R
DTS26x11-xxP/Sx	11	.984	M15X1.0-6g 0.100R
DTS26x13-xxP/Sx	13	1.157	M18X1.0-6g 0.100R
DTS26x15-xxP/Sx	15	1.279	M22X1.0-6g 0.100R
DTS26x17-xxP/Sx	17	1.405	M25X1.0-6g 0.100R
DTS26x19-xxP/Sx	19	1.515	M28X1.0-6g 0.100R
DTS26x21-xxP/Sx	21	1.641	M31X1.0-6g 0.100R
DTS26x23-xxP/Sx	23	1.768	M34X1.0-6g 0.100R
DTS26x25-xxP/Sx	25	1.889	M37X1.0-6g 0.100R

THIS DRAWING IS A CONTROLLED DOCUMENT.

DWN E. ALAWNEH 070411	TE Connectivity					
CHK A. RASMUSSEN 070411						
APVD ALEX RENGIEO 110511						
NAME DTS PLUG ENVELOPE						
DIMENSIONS: INCH	TOLERANCES UNLESS OTHERWISE SPECIFIED:	PRODUCT SPEC -	SIZE A2	CAGE CODE -	DRAWING NO. C-DTS26xxx-xxP/Sx	RESTRICTED TO -
0 PLC ±	1 PLC ±0.1	APPLICATION SPEC -	WEIGHT -	SCALE 3.000	SHEET 1 OF 1	REV B
2 PLC ±0.01	3 PLC ±0.001	Customer Drawing				
4 PLC ±0.0001	ANGLES ±					
MATERIAL TBD	FINISH -					

## X-ON Electronics

Largest Supplier of Electrical and Electronic Components

*Click to view similar products for [TE Connectivity](#) manufacturer:*

Other Similar products are found below :

[D38999/24FJ4AN](#) [570416-000](#) [CLTEQ-M81CE-SSRELAY-4-20V](#) [4-1195131-0](#) [650069-000](#) [SMD100-2](#) [358838-000](#) [CB-1022B-78](#)  
[RM707012](#) [RP410012](#) [MMS42](#) [1-640426-8](#) [2EDL4CM](#) [DTS20W19-11PD-3028-LC](#) [RM202615](#) [NC6-P104-06](#) [MSPS103B](#) [DTS26F21-](#)  
[41HE-LC](#) [DTS26F21-41AE](#) [DTS26F21-41PE-LC](#) [DTS26F21-11SE-3028-LC](#) [30DCB6](#) [1932144-1](#) [293545-4](#) [LVR125S](#) [MS27466T25F4PB](#)  
[CKB-38-78010](#) [TR04AI-TINELLOCKRING](#) [1206SFF150F/63-2](#) [D38999/20JB35HA](#) [TE1500A2R2J](#) [D38999/20WC8BB](#) [DTS24F19-11SC-](#)  
[3028-LC](#) [D38999/24WG11HA](#) [D38999/24WG11HN](#) [MS27467T21F11H](#) [DJT16E21-11HA](#) [MS27467T21F35J](#) [MS27467T21F11J](#)  
[MS27467T21F16H-LC](#) [MS27467T21F35H](#) [MS27467T21F41H-LC](#) [1206SFH150F/24-2](#) [RP330024](#) [DJT16E21-11PA-LC](#) [DJT16E21-11HA-](#)  
[LC](#) [DJT16E21-11AA](#) [MS27467T21B11JA](#) [DJT16E21-11JA](#) [MS27467T21B11JA-LC](#)