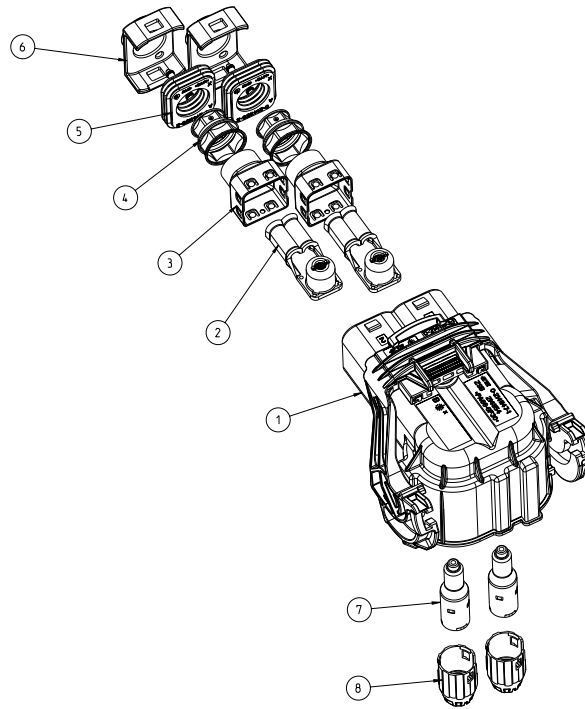


Kit Number **YHV800-2p-90-50m-B**



# AMP+ High Current Connectors and Headers

## AMP+ HVP800



### Connector Series **AMP+ HVP800**

|                           |                             |
|---------------------------|-----------------------------|
| Positions                 | 2                           |
| Cable Size                | 50 mm <sup>2</sup>          |
| Connector Orientation     | 90°                         |
| Wire Type                 | Individually<br>Shielded    |
| HVIL                      | Bridged<br>in the connector |
| Key Coding                | B                           |
| Application Specification | 114-94052                   |
| Product Specification     | 108-94268                   |
| Mating Header PN          | 2141227-2                   |

### Bill of Materials

| Item No | Part Number | Description                                    | Quantity |
|---------|-------------|--|----------|
| ①       | 1-2141154-2 | 2 Pos, Receptacle Housing 90°, Assembly, Key B | 1        |
| ②       | 2141211-2   | Deep drawn socket, 90°, Assembly               | 2        |
| ③       | 9-2141158-2 | Shielding sleeve, 90°                          | 2        |
| ④       | 9-2141157-1 | Shield crimp ferrule, 90°                      | 2        |
| ⑤       | 2141156-1   | Single wire seal                               | 2        |
| ⑥       | 2141155-1   | Cover, seal                                    | 2        |
| ⑦       | 2141212-1   | Deep drawn socket, Pin 90°, Assembly           | 2        |
| ⑧       | 2141159-1   | Finger protection cap                          | 2        |

---

## DISCLAIMER

While TE Connectivity (TE) has made every reasonable effort to ensure the accuracy of the information in this document, TE does not guarantee that it is error-free, nor does TE make any other representation, warranty or guarantee that the information is accurate, correct, reliable or current. TE reserves the right to make any adjustments to the information contained herein at any time without notice.

TE expressly disclaims all implied warranties regarding the information contained herein, including, but not limited to, any implied warranties of merchantability or fitness for a particular purpose. The dimensions in this catalog are for reference purposes only and are subject to change without notice. Specifications are subject to change without notice. Consult TE for the latest dimensions and design specifications.

## TRADEMARKS

AMP+, TE, TE Connectivity, and TE connectivity (logo) are trademarks.

Other product names, logos, and company names mentioned herein may be trademarks of their respective owners.

## COPYRIGHT

© 2019 TE Connectivity | All rights reserved.

6-1773982-3 | 09-2019

## CONTACT

### TE Connectivity

4849 Hempstead Station Drive | Kettering, OH 45429 | USA

Phone: +1 800 522 6752

## X-ON Electronics

Largest Supplier of Electrical and Electronic Components

*Click to view similar products for [Automotive Connectors](#) category:*

*Click to view products by [TE Connectivity](#) manufacturer:*

Other Similar products are found below :

[003-018-000](#) [60403001](#) [60993906-B](#) [M902-2131](#) [M902-2161](#) [M902-2344](#) [72.330.1035.1](#) [73.353.4028.0](#) [F119300-B](#) [F166900](#) [F258300-B](#)  
[F358300-B](#) [F407400](#) [F444110](#) [F487000](#) [F509500B-B](#) [827153-1](#) [8N1515-32-24P](#) [9-1326729-8](#) [925474-1](#) [928905-1](#) [964562-4](#) [968782-1](#)  
[GT17SA-8DS-HU](#) [98891-1012](#) [98947-1016](#) [12004147](#) [12004475-L](#) [12010290](#) [12010309-B](#) [12015454](#) [12020219-B](#) [12041318-B](#) [12052225-](#)  
[L](#) [12052466](#) [12064869](#) [12004327-B](#) [12015308](#) [12015384](#) [12015909](#) [1-21030-1](#) [12041254](#) [12041318](#) [12047946-B](#) [12047957](#) [12047957-L](#)  
[12059473](#) [12066261](#) [12110546](#) [12110546-B](#)