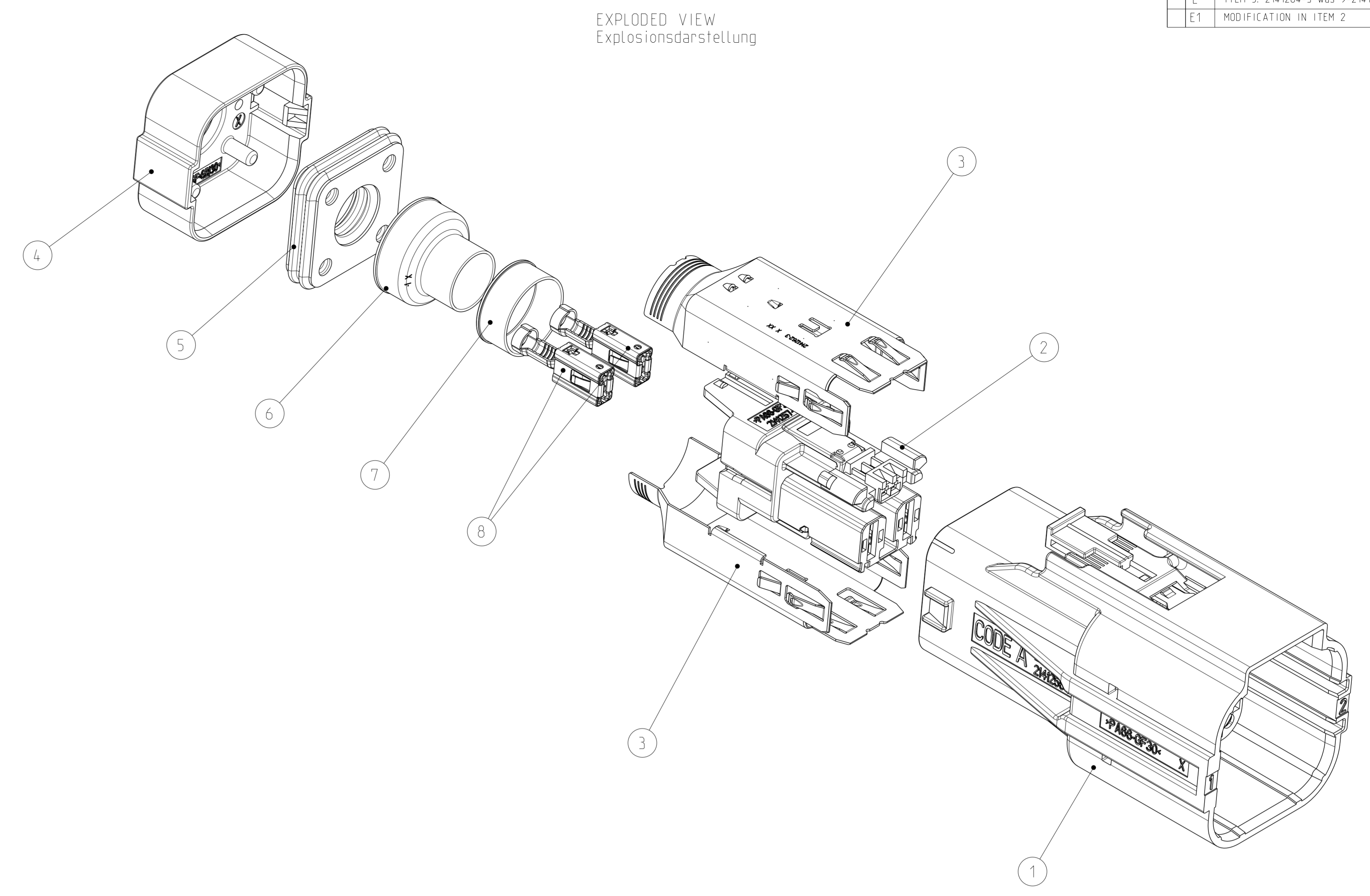
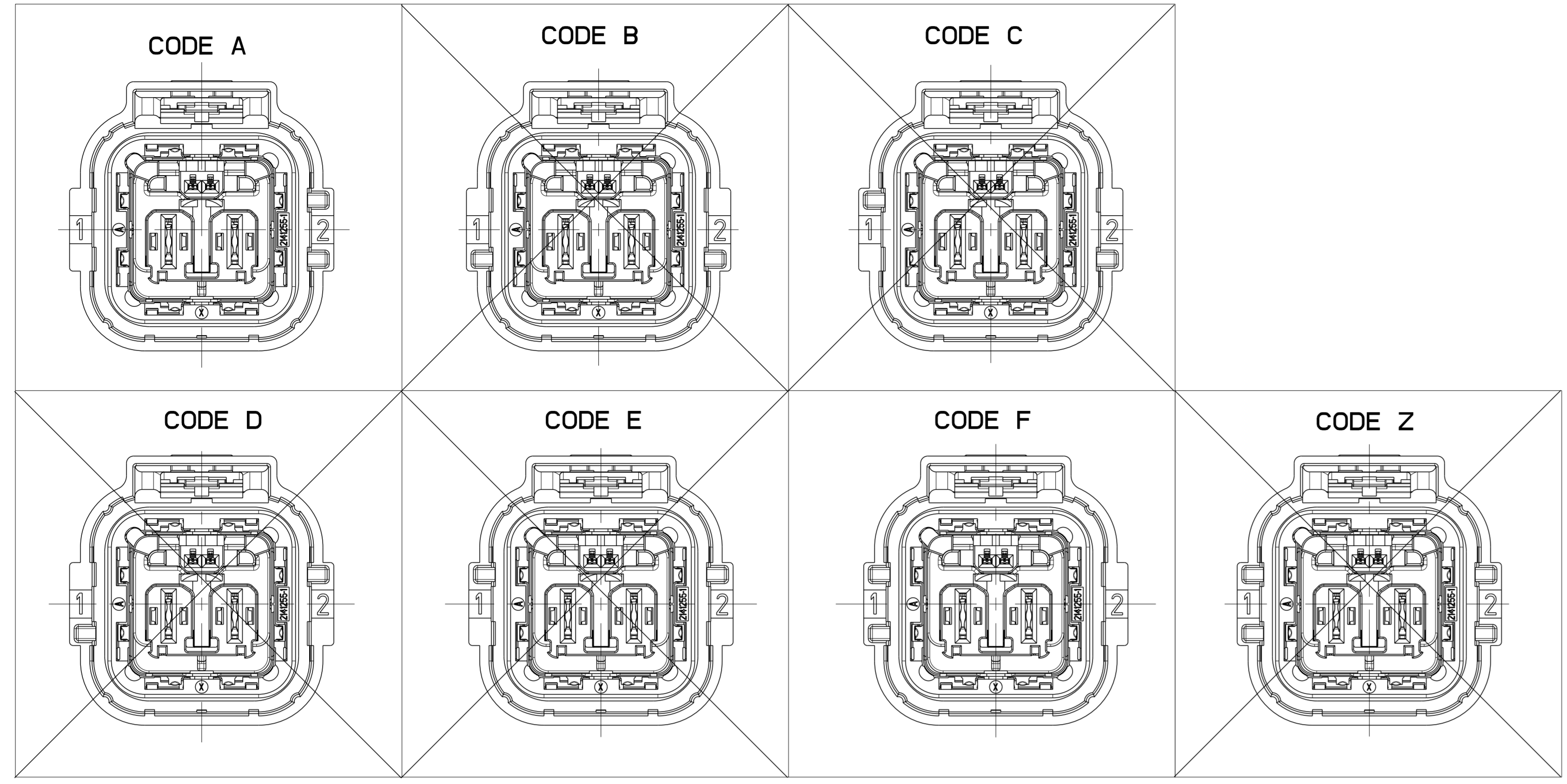


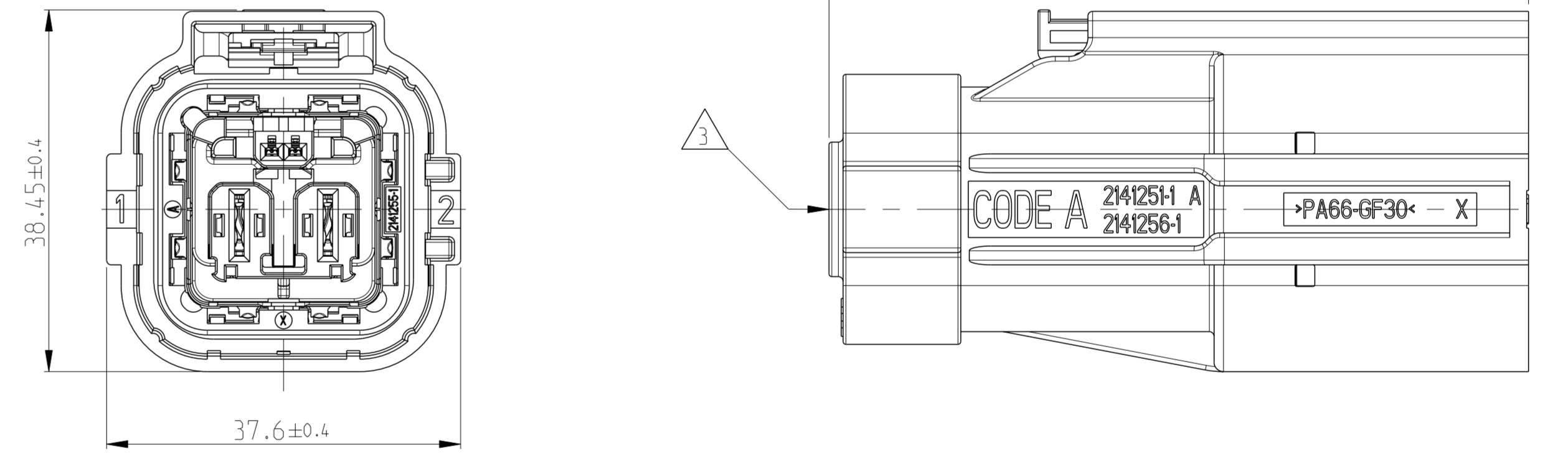
REV.	DATE	BY	CHKD	DESCRIPTION
C	24FEB2015	RSC	AKE	DEFLECTOR RIBS ON INSERT ADDED
D	02.AND2015	RSC	AKE	ITEM 5: 9-2141264-2 was 2141264-3
E	29NOV2016	RSC	KKI	ITEM 5: 2141264-3 was 9-2141264-2
E1	27MAR2019	SK	TS	MODIFICATION IN ITEM 2



EXPLODED VIEW
Explosionsdarstellung

ITEM	COMPONENT PN	DESCRIPTION	MATERIAL	COLOUR/SURFACE	QTY / Anzahl								
					2	2	2	2	2	2	2	2	
8	2-1241408-3	AMP MCP 6,3/4,8	CuNiSi	SEL. Ag PLATED	2	2	2	2	2	2	2	2	2
E1	7	1-2141261-1	SHIELD CRIMP FERRULE,INNER	STAINLESS STEEL	BLANK	1	1	1	1	1	1	1	1
E1	6	1-2141263-4	SHIELD CRIMP FERRULE,OUTSIDE	STAINLESS STEEL	BLANK	-	-	-	-	1	1	1	1
		1-2141263-3	SHIELD CRIMP FERRULE,OUTSIDE	STAINLESS STEEL	BLANK	1	1	-	-	-	-	-	-
		2141264-4	SINGLE WIRE SEAL	SILICON	YELLOW	-	-	-	-	1	1	1	1
		2141264-3	SINGLE WIRE SEAL	SILICON	BLUE	1	1	1	1	-	-	-	-
		2141265-4	COVER	PA6(GF+GB)30	ORANGE	-	-	-	-	1	1	1	1
		2141265-3	COVER	PA6(GF+GB)30	ORANGE	1	1	1	1	-	-	-	-
		2141262-3	SHIELDING, EMC	CuNiSi	SEL. Ag PLATED	2	2	2	2	2	2	2	2
E1	2	2141259-1	2POS. MIXED, REC HSG. ASSY	PA66-GF30	BLACK	1	1	1	1	1	1	1	1
		1-2141256-6	2POS REC HSG. ASSY, COD F	PA66-GF30 SILICON	HSG ORANGE CPA RED	-	-	-	-	-	-	-	-
		1-2141256-1	2POS REC HSG. ASSY, COD A		HSG ORANGE CPA BROWN	-	1	-	-	-	1	-	-
		2141256-6	2POS REC HSG. ASSY, COD F		HSG ORANGE CPA BROWN	-	1	-	-	-	1	-	-
		2141256-1	2POS REC HSG. ASSY, COD A		HSG ORANGE CPA BLACK	1	-	-	-	1	-	-	-
					CRIMPING TOOL NO.	528041-9				1-528041-0			
					WIRE ISOLATION DIAMETER [mm]	10.7 - 11.3				12.2 - 12.8			
VARIANT (TE KIT NUMBER)					2x4mm 2 COD.A (2287490-1)	2x4mm 2 COD.F (2287490-6)			2x6mm 2 COD.A (1-2287490-1)	2x6mm 2 COD.F (1-2287490-6)			

ASSEMBLED CONDITION (ILLUSTRATION WITHOUT CABLE)
Zusammengebauter Zustand (Darstellung ohne Leitung)



- NOTES
Bemerkungen
- THE GERMAN TEXT IS BINDING
Der deutsche Text ist verbindlich
 - ASSEMBLED NOT FOR SALE. DESCRIBES ONLY
THE DELIVERY AMOUNT AND THE MOUNTING STATE WITHOUT CABLE
Zusammengebaut kein Verkaufsteil, stellt einzig den Lieferumfang und den Montagezustand ohne Leitung dar
 - MIN BENDING RADIUS OF CABLE
ACCORDING TO SPECIFICATION OF CABLE SUPPLIER.
Min. Leitungsbiegeradius gemäss Leitungsspezifikation des Herstellers.
 - ADAPTIVE CABLES SEE SPECIFICATION 114-94100
Anwendbare Leitungen siehe Verarbeitungsspezifikation 114-94100

PRODUCT CHARACTERISTICS ACC. IEC 60384-12 TOLERANCING ISO 9015
BESONDERE MERKMALE NACH IEC 60384-12 TOLERIERUNG ISO 9015

THIS DRAWING IS A CONTROLLED DOCUMENT.
DIMENSIONS AND TOLERANCES PER IEC 60384-12

DATE: 070C1201G
BY: J. Schwab
CHECKED: 070C1201G
DATE: 070C1201G
BY: J. Witzel
CHECKED: 070C1201G

PRODUCT SPEC: 105-94264
APPLICATION SPEC: 114-94100

MATERIAL: SEE

WEIGHT: 57g

Customer Drawing

SCALE: 1:1

DATE: 00779

DRAWING NO: 2287490

REVISION: 1

SHEET: 1

TOTAL SHEETS: 1

REV: E1

STE TE Connectivity

2POS.MCP6.3.PLUG HSG.HV4630 KIT HV CONNECTOR

X-ON Electronics

Largest Supplier of Electrical and Electronic Components

Click to view similar products for [Automotive Connectors](#) category:

Click to view products by [TE Connectivity](#) manufacturer:

Other Similar products are found below :

[003-018-000](#) [60403001](#) [60993906-B](#) [M902-2131](#) [M902-2161](#) [72.330.1035.1](#) [73.353.4028.0](#) [F119300-B](#) [F166900](#) [F258300-B](#) [F358300-B](#)
[F407400](#) [F444110](#) [F487000](#) [F509500B-B](#) [827153-1](#) [8N1515-32-24P](#) [9-1326729-8](#) [925474-1](#) [928905-1](#) [964562-4](#) [968782-1](#) [GT17SA-8DS-](#)
[HU](#) [98891-1012](#) [98947-1016](#) [12004147](#) [12004475-L](#) [12010290](#) [12010309-B](#) [12015454](#) [12020219-B](#) [12020308](#) [12041318-B](#) [12052225-L](#)
[12052466](#) [12059125](#) [12064869](#) [12004327-B](#) [12010503-B](#) [12015308](#) [12015384](#) [12015909](#) [1-21030-1](#) [12041254](#) [12041318](#) [12047946-B](#)
[12047957](#) [12047957-L](#) [12059473](#) [12066261](#)