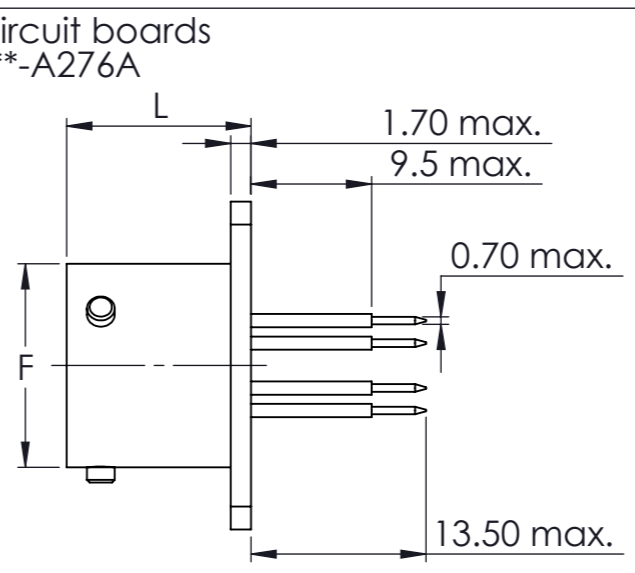
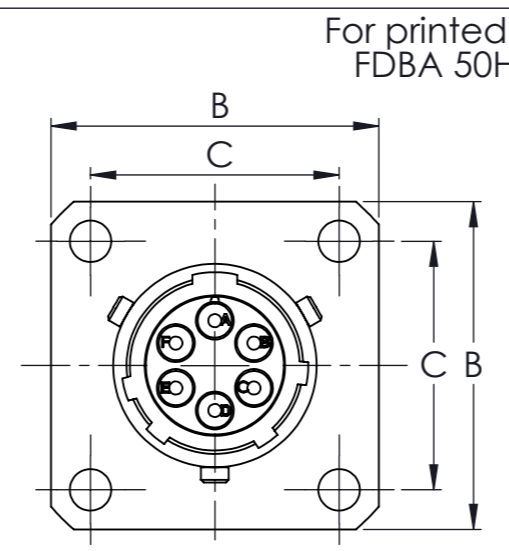
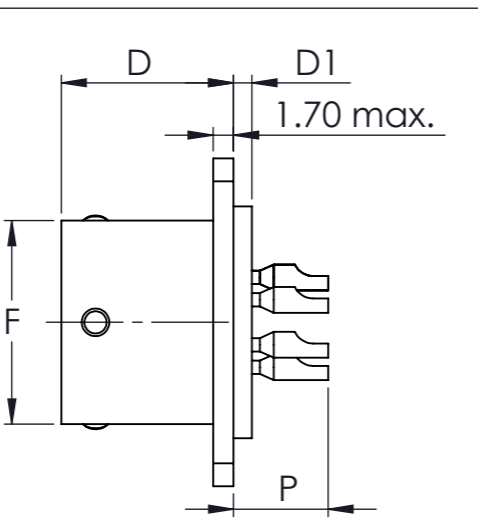
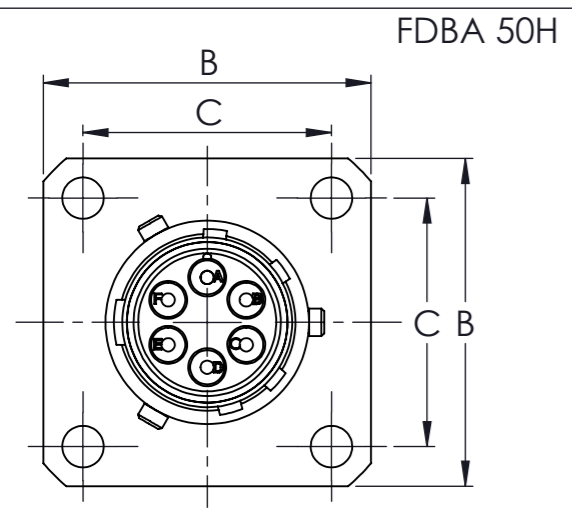


THIS DRAWING IS A CONTROLLED DOCUMENT

THIS INFORMATION IS CONFIDENTIAL AND PROPRIETARY TO TYCO ELECTRONICS CORPORATION AND ITS WORLDWIDE SUBSIDIARIES AND AFFILIATES (TE). IT MAY NOT BE DISCLOSED TO ANYONE, OTHER THAN TE PERSONNEL, WITHOUT AUTHORIZATION FROM TE (www.TE.com).

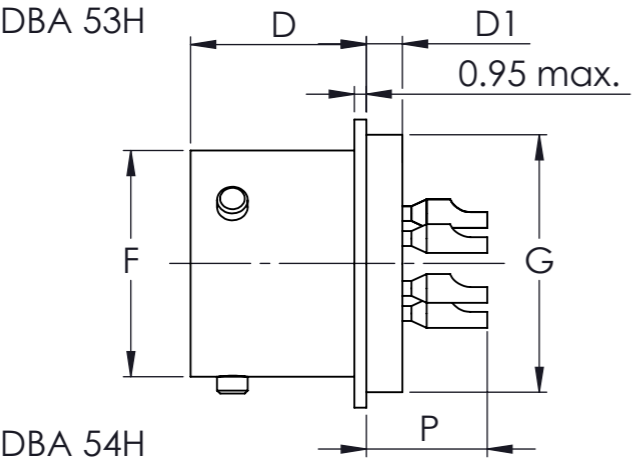
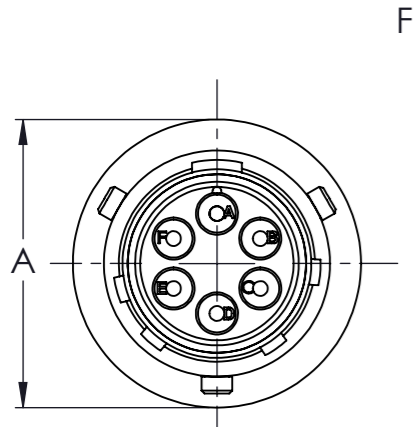
DWG NO  
**FDBA\_XXH\_++**

USED ON \_



**FDBA 50H & FDBA 50H-\*\*-A276A**

Size Taille	B max.	C ±0.1	D ±0.15	D1 max.	F max.	L max.	P max. Sizes/Tailles 20 16	
08	21.00	15.08	12.65	1.55	12.03	13.75	6.85	8.95
10	24.25	18.26	12.65	1.55	15.01	13.75	6.85	8.95
12	26.60	20.62	12.65	1.55	19.07	13.75	6.85	8.95
14	29.00	23.02	12.65	1.55	22.24	13.75	6.85	8.95
16	31.30	24.58	12.65	1.55	25.42	13.75	6.85	8.95
18	33.70	26.98	12.65	1.55	28.60	13.75	6.85	8.95
20	36.85	29.36	14.09	2.25	31.77	15.35	7.10	9.20
22	39.95	31.76	14.09	2.25	34.94	15.35	7.10	9.20
24	43.15	34.92	14.93	2.25	38.12	15.35	6.25	8.35



**FDBA 53H**

Size Taille	A max.	D ±0.5	D1 max.	F max.	G max.	P max. Sizes/Tailles 20 16	
08	16.10	11.50	2.60	12.03	14.35	7.95	10.00
10	19.25	11.50	2.60	15.01	17.15	7.95	10.00
12	21.65	11.50	2.60	19.07	19.90	7.95	10.00
14	24.85	11.50	2.60	22.24	23.10	7.95	10.00
16	28.00	11.50	2.60	25.42	26.25	7.95	10.00
18	31.15	11.50	2.60	28.60	29.45	7.95	10.00
20	33.55	13.11	3.35	31.77	31.80	8.20	10.30
22	36.70	13.11	3.35	34.94	35.00	8.20	10.30
24	39.90	13.95	3.35	38.12	38.15	7.35	9.50

Example of order : **FDBA X X H XX - XX X X - K XXXX**

CONNECTOR TYPE \_\_\_\_\_  
Standard and Hermetic

VERSION \_\_\_\_\_  
5 - Standard  
6 - Stainless steel Nickel Plating  
7 - Passivated Stainless steel

SHELL TYPE \_\_\_\_\_  
0 Square Flange Receptacle  
3 Solder Receptacle  
4 Jam-nut Mounting Receptacle  
8 Large Square Flange

VERSION \_\_\_\_\_  
H - Hermetic

SHELL SIZE \_\_\_\_\_  
08-10-12-14-16-18-20-22-24

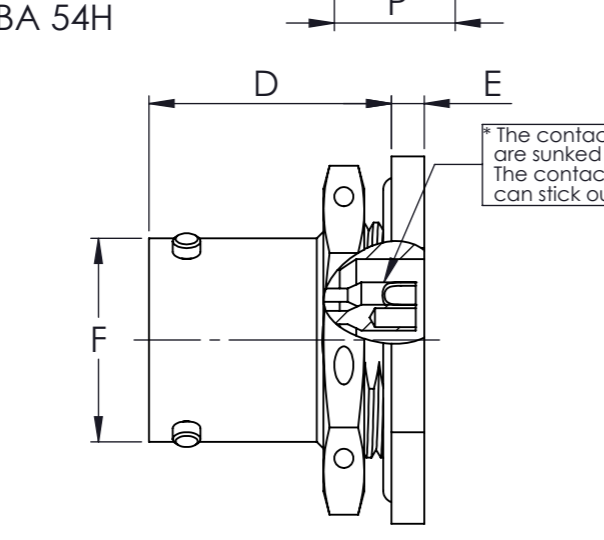
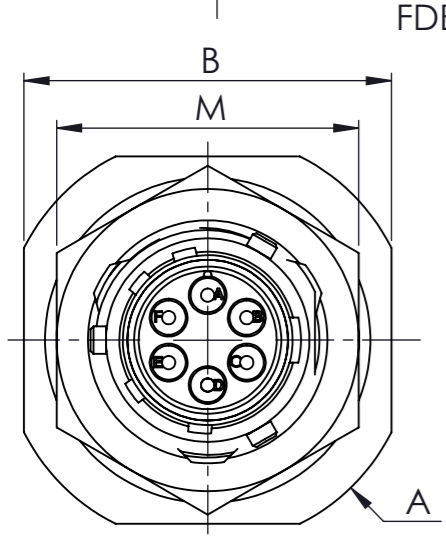
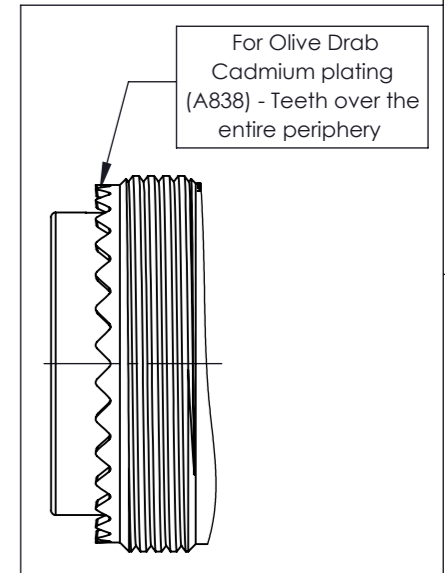
ARRANGEMENTS \_\_\_\_\_  
As per EN3646

CONTACT TYPE \_\_\_\_\_  
P Male Contact  
S Female Contact

INSERT CLOCKING POSITION \_\_\_\_\_  
N Normal  
W-X-Y-Z Others

INDEX \_\_\_\_\_  
Connector Evolution

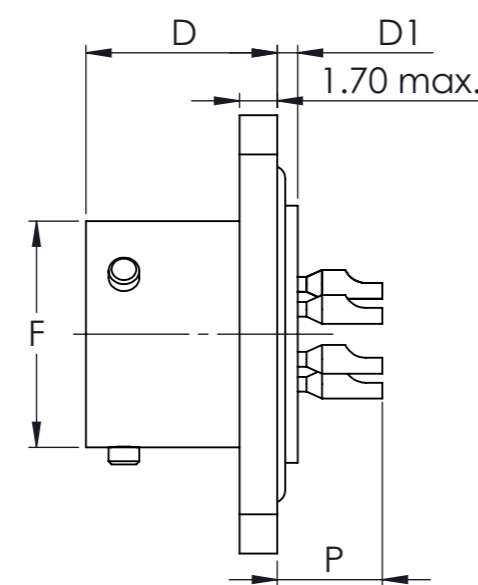
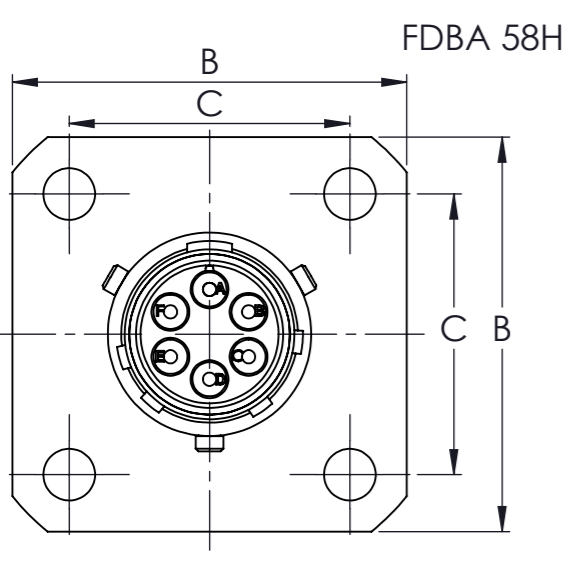
SPECIAL MODIFICATIONS \_\_\_\_\_  
059 Straight Cable Clamp  
081 Elbowed Cable Clamp  
090 Delivery without contact  
A246 Size 20 contact in accordance with ASNE  
A499 Nickel version connector  
A838 Olive drab cadmium  
B246 Hybrid arrangement size 20 & 16 in accordance with ASNE  
A377 PC tail connector



**FDBA 54H**

Size Taille	A max.	B max.	D ±0.15	E max.	F max.	M max.
08	27.30	24.00	17.81	2.50	12.03	19.20
10	30.50	27.20	17.81	2.50	15.01	22.37
12	35.30	32.00	17.81	2.50	19.07	27.12
14	38.40	35.10	17.81	2.50	22.24	30.30
16	41.60	38.30	17.81	2.50	25.42	33.47
18	44.80	41.50	17.81	2.50	28.60	36.67
20	49.60	46.20	22.58	3.30	31.77	39.82
22	52.70	49.40	22.58	3.30	34.94	43.02
24	55.90	52.60	23.67	3.30	38.12	46.17

\* The contacts size 20 are sunk in the shell. The contacts size 16 can stick out of 1.35 max.



**FDBA 58H**

Size Taille	B max.	C ±0.1	D ±0.15	D1 max.	F max.	P max. Sizes/Tailles 20 16	
08	26.50	18.10	12.65	1.55	12.03	6.85	8.95
10	29.10	20.62	12.65	1.55	15.01	6.85	8.95
12	32.25	23.82	12.65	1.55	19.07	6.85	8.95
14	34.65	26.18	12.65	1.55	22.24	6.85	8.95
16	37.00	28.57	12.65	1.55	25.42	6.85	8.95
18	39.05	30.55	12.65	1.55	28.60	6.85	8.95
20	43.00	32.94	14.09	2.25	31.77	7.10	9.20
22	44.95	34.92	14.09	2.25	34.94	7.10	9.20
24	48.15	38.10	14.93	2.25	38.12	6.25	8.35

**CHARACTERISTIQUES**

1. Shell material : Stainless steel
2. Insert material : Sintered glass insert
3. Plating : Nickel
4. Service Temperature : -55°C to + 200°C
5. Service Voltage : 500 V eff. 50 Hz

DIMENSIONS: MM

TOLERANCES UNLESS OTHERWISE SPECIFIED:

0 PLC	±
1 PLC	±0.05
2 PLC	±0.05
3 PLC	±0.02
4 PLC	±

ANGLES ±°

SURFACE TEXTURE

DWN <b>LAKSHMI SUDHA R</b>	MATERIAL -	HEAT TREAT -
CHK <b>RAKESH S</b>	TE Connectivity	
APVD <b>VINCENT P</b>		
NAME <b>FDBA SERIES CONNECTOR (HERMETIC)</b>	SCALE <b>2:1</b>	SIZE <b>A3</b>
DRAWING NO <b>FDBA_XXH_++</b>	SHEET 1 OF 1	REV <b>A</b>

## X-ON Electronics

Largest Supplier of Electrical and Electronic Components

*Click to view similar products for [Circular MIL Spec Connector](#) category:*

*Click to view products by [TE Connectivity](#) manufacturer:*

Other Similar products are found below :

[0025-262-542](#) [0025-264-3014](#) [58-570121-04S](#) [0134-202-1200](#) [0134-207-1206](#) [0134-207-1800](#) [0134-207-2207](#) [0134-213-0806](#) [0134-213-1007](#) [0134-213-1009](#) [0134-213-1208](#) [0134-213-1800](#) [0134-213-2209](#) [0025-258-000](#) [015-9516-002](#) [60-042217-10P](#) [60-042722-19P](#) [0114-201-1278](#) [602GB06EG24-61SN](#) [0134-201-1207](#) [0134-201-1806](#) [0134-201-2006](#) [0134-201-2007](#) [0134-201-2010](#) [0134-202-1400](#) [0134-207-0809](#) [0134-207-1208](#) [0134-207-2009](#) [0134-213-1006](#) [6104-207-2302](#) [6104-208-1902](#) [6104-215-0902](#) [6131-202-19149P](#) [6131-204-21149P](#) [6131-207-13149P](#) [6131-208-13149P](#) [6131-209-17149P](#) [6131-210-11149P](#) [6131-211-19149P](#) [6131-216-19149P](#) [6131-220-25149P](#) [6131-259-11149P](#) [6131-259-21149P](#) [6131-259-23149P](#) [6131-263-19149P](#) [6131-265-17149P](#) [6131-265-19149P](#) [CS3102A-20-15P](#) [CS3102A-20-15S](#) [CS3102A-28-15S](#)