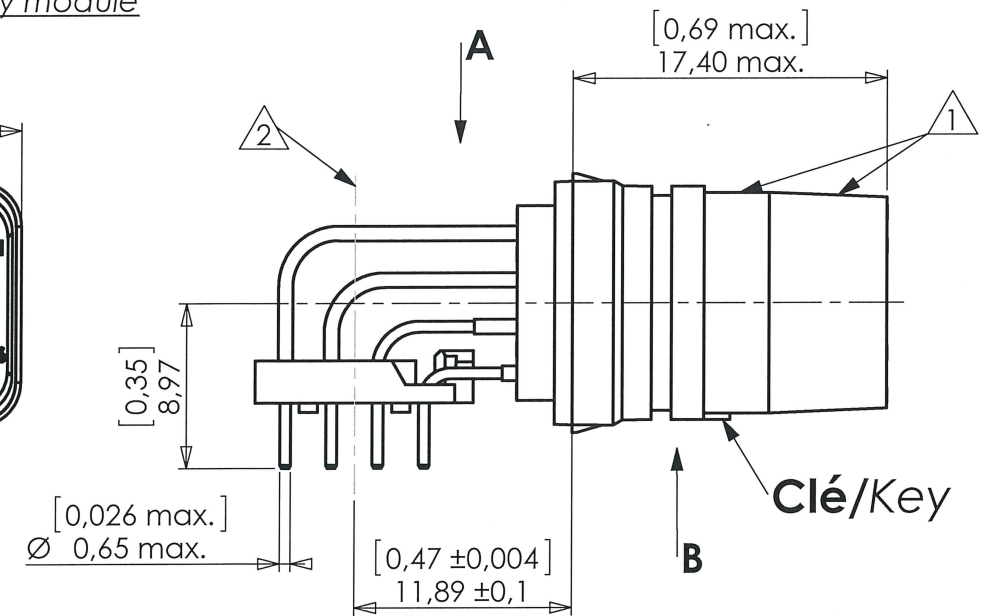
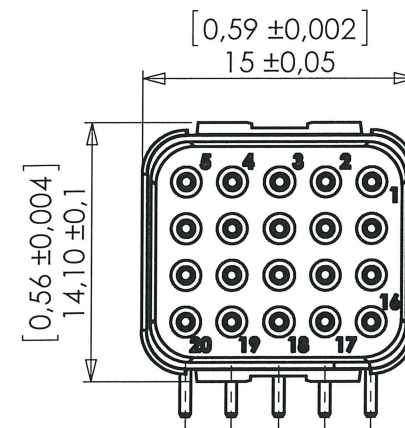
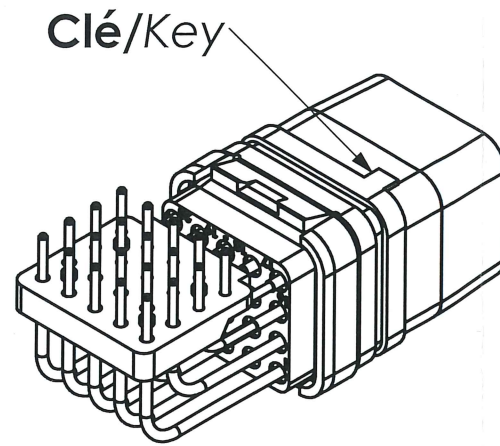
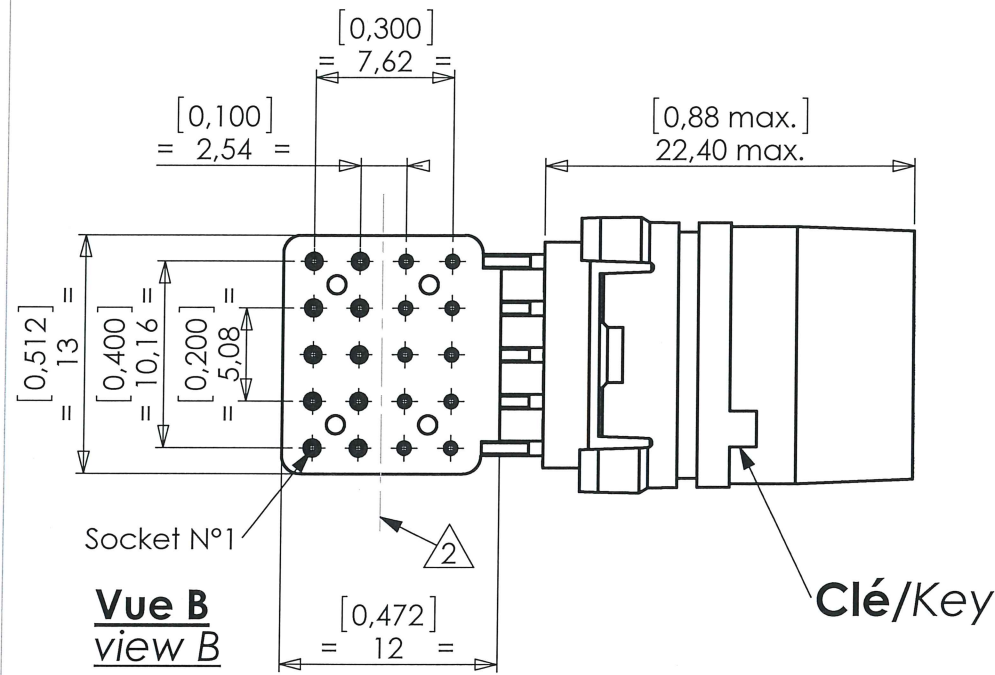


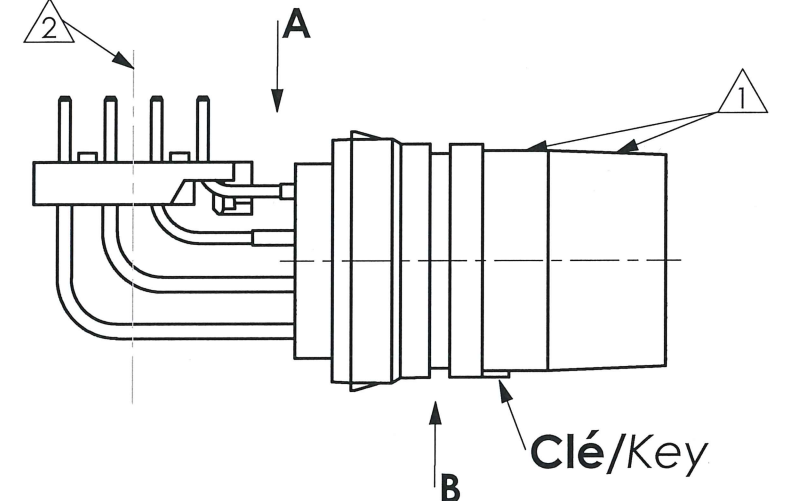
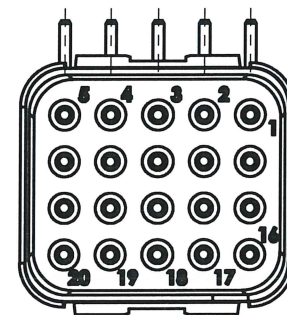
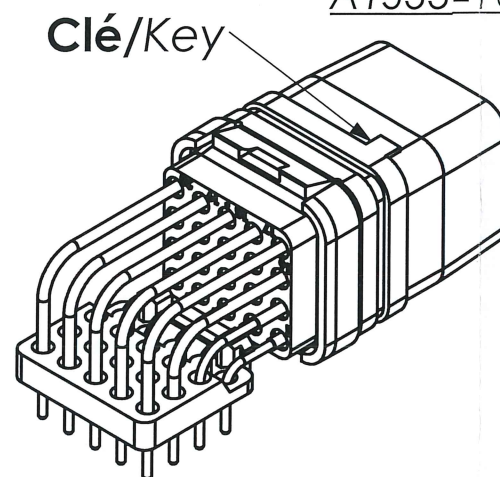
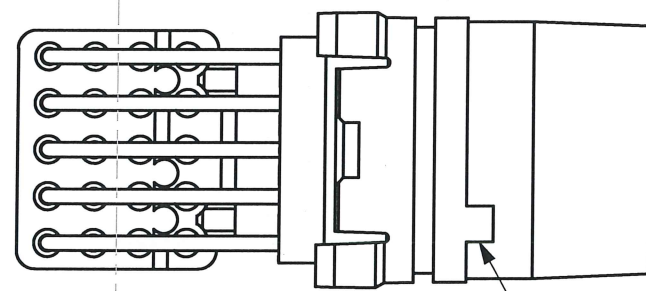
732-8256-22 X XXXXX

RIEN= Contacts à picots orientés vers la clé du module
Nothing= PCB contacts directed to key module



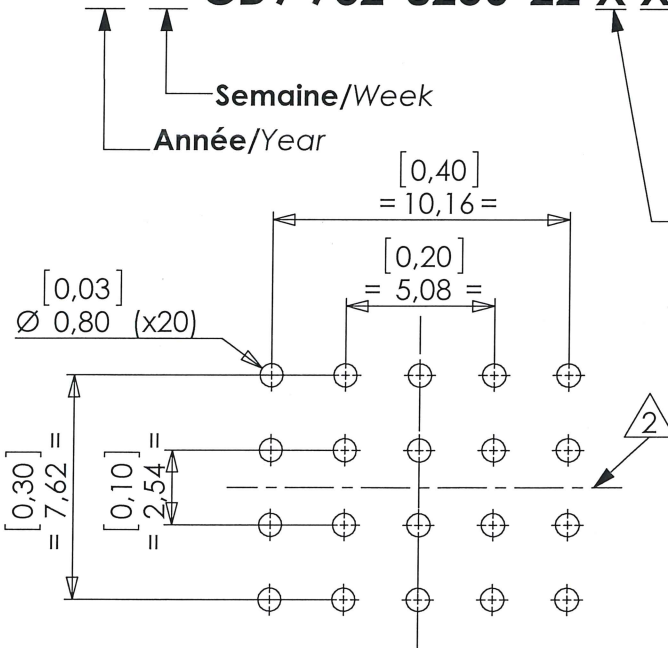
Vue B
view B

A1533= Contacts à picots opposés à la clé du module
A1533= PCB contacts opposed to the key module



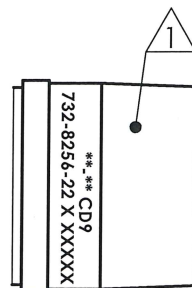
Vue B
view B

****_** CD9 732-8256-22 X XXXXX**



Rien= Contacts à picots orientés vers la clé du module
Nothing= PCB contacts directed to key module
A1533= Contacts à Picots opposés à la clé du module
A1533= PCB contacts opposed to the key module

Rien= Non étamé/ no tinning
T= Etamage au plomb/ tinning with lead
R= Etamage sans plomb (ROHS)/ tinning without lead



Vue A
view A

CARACTERISTIQUES:

- Module suivant: EN4165
- Matériaux: Thermoplastique et silicone
- Contacts à picot: Doré
- Avant des contacts normalisé suivant: SAE/AS39029/57-354
- Masse: ~8g
- Dimensions: Millimètres [pouces]
- ⚠ Marquage sur la face opposée aux clés.
- ⚠ Axe du brochage

CHARACTERISTICS:

- Module according to: EN4165
- Materials: Thermoplastic and silicone
- PCB pin contact: Gold plated
- Front part contact as per: SAE/AS39029/57-354
- Weight: ~8g
- Dimensions: Millimeters [inches]
- ⚠ Marking on the opposite keys side.
- ⚠ Layout axis

g	13/02/2018	OE090218	SERIE	DMC-M Série II	DATE	25/09/2006	VISA Creation	Created	VISA Approval	Approval
f	16/01/2018	OE200118	DESIGNATION	MODULE S 20#22 A PICOTS COUDES	REF:	732-8256-22 X XXXXX				
Revision	Date	Observations	Socket MODULE 20#22 with bended PCB Contacts			P/N:				
ORIGINE:	DE014/04									

TE Connecteurs Electriques Deutsch
 17, rue LAVOISIER - BP 117 - 27091 EVREUX CEDEX 09 - FRANCE

FICHE TECHNIQUE
TECHNICAL DATA SHEET

204-119-C/01

Plan perçage circuit imprimé/PCB footprint

X-ON Electronics

Largest Supplier of Electrical and Electronic Components

Click to view similar products for [Rectangular MIL Spec Connectors](#) category:

Click to view products by [TE Connectivity](#) manufacturer:

Other Similar products are found below :

[M32139/03-B06ST](#) [65002-062](#) [77058-22-55PN](#) [86.030.0053.0](#) [GMCT26M0E100JC](#) [1241346-1](#) [MSO34MPK1E1](#) [BACC65CAMA](#) [HSB-D4S03DM222X](#) [890-009-31SA2-BRT1T](#) [27963-20T12](#) [SIM2N40NC3](#) [SIM2S100A](#) [1604996-2](#) [SMD25PN90L-4055](#) [22628-10-6P-791](#)
[GMCT66F0T0000](#) [M32139/03-G05SN](#) [CTD160E01F-6148](#) [CTJ112E03B](#) [CTJ-3D-12](#) [CTJ920E06N-513](#) [CTL-16-090](#) [CY4600-000](#)
[CY4601-000](#) [38111-14-15SN](#) [TMN2N037PC2DM018S](#) [TMN2N051SC2DM018T](#) [MMA23-0111R1](#) [MMD25-0071P1](#) [33516062020](#)
[33526M11-08PC](#) [33526M11-08PE](#) [3355-5869-000](#) [DMC-M99-01AN](#) [Y59113WE20PNV00300](#) [ZPF000000000106310](#) [105979-31](#)
[MTCPK1PJC02S](#) [SIM2N40NC1](#) [SIM2N40NC2](#) [SIM2S110A](#) [SIME2022PNR](#) [787-0015-02](#) [TMN2N009SC2DM018T](#)
[TMN2N025PC2DM018S](#) [ZPF000000000106308](#) [ZPF000000000102759](#) [CTG-20-08-513](#) [5634-201-03158](#)