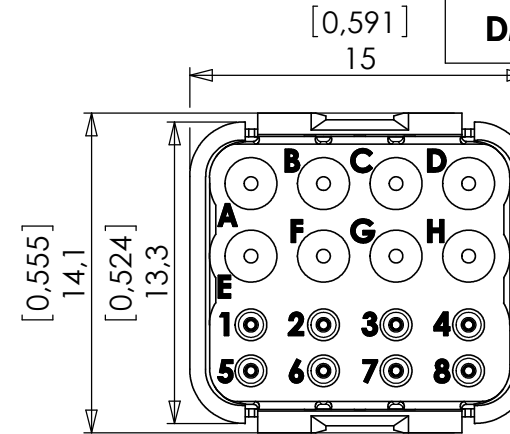
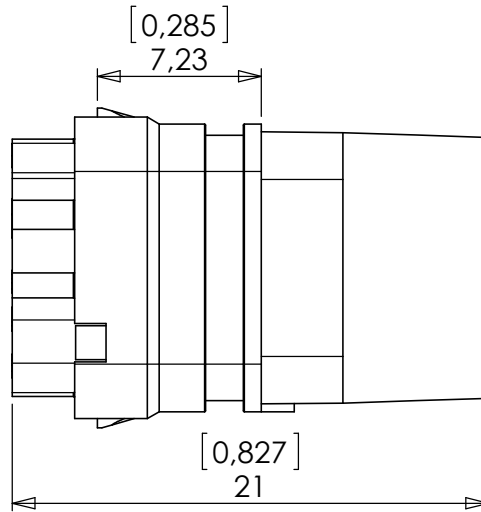
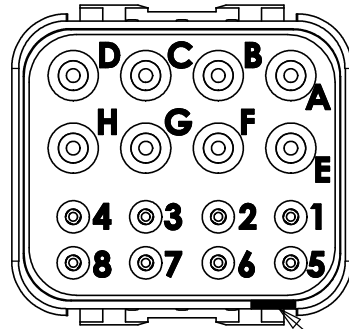


Issue de la norme EN4165
Arise of EN4165 standard

EX

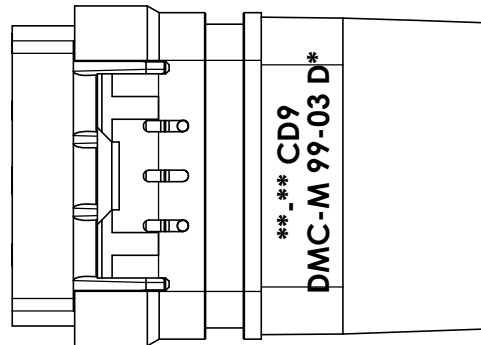


DMC-M 99-03 DX

X: Codage A,B,C,D ou N (universel)
X: Keying A,B,C,D or N (universal)
(1)

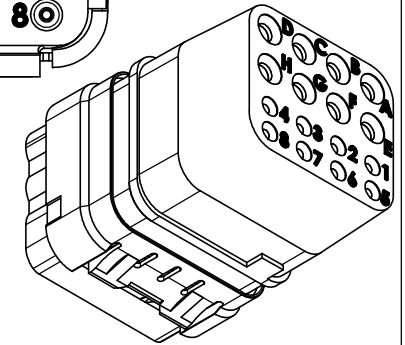
CARACTERISTIQUES:

Température d'utilisation: -55°C à +175°C
Matériaux: Thermoplastique, silicone fluoré jaune.
Tenue de tension: 1300 V eff. ; 50Hz
Masse: 3,4g Maxi (Hors contacts)
Dimensions: Millimètres [pouces]
Utilisation de Contacts:
- 8 contacts #20 - 724-1064-20
- 8 contacts #24 - 724-0003-24
Outils insertion/extraction:
- #20 - M15570-20
- #24 - 605837



CHARACTERISTICS:

Operating temperature range:
-55°C to +175°C
Material: Thermoplastic and yellow fluorosilicone
Withstand voltage: 1300 V eff ; 50Hz
Weight: 3,4g Maxi (without contacts)
Dimensions: Millimeters [inches]
Use of contacts:
- 8 Socket #20 - 724-1064-20
- 8 Socket #24 - 724-0003-24
Insertion/extraction tool fo contact:
- #20 - M15570-20
- #24 - 605837



Module livré avec contacts / Module delivered with contacts

q	18/07/2013	Creation	SERIE DMC-M	DATE 18-07-2013	VISA Creation Created	VISA Approval Approval
Revision	Date	Observations	DESIGNATION Module Femelle High-speed contacts fûts élargis <i>Female High-speed Module enlarged barrel contacts</i>	REF : P/N:	DMC-M 99-03 DX (1)	
ORIGINE :	DE094/12					



Connecteurs Electriques Deutsch
17, rue LAVOISIER - BP 117 - 27091 EVREUX CEDEX 09 - FRANCE

FICHE TECHNIQUE
TECHNICAL DATA SHEET

204-19-B/FOO

X-ON Electronics

Largest Supplier of Electrical and Electronic Components

Click to view similar products for [Rectangular MIL Spec Connectors](#) category:

Click to view products by [TE Connectivity](#) manufacturer:

Other Similar products are found below :

[006-1169-16](#) [CSR31343-0001-00000](#) [CSR31899-0001-00000](#) [CSR31900-0001-A0001](#) [CTJ-3D-05](#) [CTS-S16/16](#) [M55302/57A36X](#)
[M55302/58-A70Y](#) [65002-062](#) [65008-D08](#) [CY4602-000](#) [732-8020-01](#) [732-8021-02 B](#) [77058-22-55PN](#) [81542-20](#) [86.030.0053.0](#) [1241346-1](#)
[RM252-020-311-2900](#) [DMC-M 08-16 SNE](#) [1589051-4](#) [BACC65CAMA](#) [BACC65CAMN](#) [BACC65CP1PN](#) [BACI10BC1220PN](#) [EN4165A99-](#)
[011NB](#) [18023-9](#) [HSB-D4S03DM222X](#) [2217548-1](#) [891-009-15SA2-BRT1T](#) [SIM2S100A](#) [1604996-2](#) [SMD25PN90L-4055](#) [220A012-25225-0](#)
[22628-10-6P-791](#) [CSR31343-0001-A0001](#) [CSR31899-0001-A0001](#) [CSR31900-0001-00000](#) [33526M11-08PD](#) [RE04-212S](#) [CTD160E01F-](#)
[6148](#) [CTJ112E03B](#) [CTJ122E02D-8000](#) [CTJ-3D-12](#) [CTJ920E06N-513](#) [CTJ920E12N-513](#) [CTL-16-090](#) [CTR06-5100SY](#) [M55302/63A20H](#)
[M55302/66-30H](#) [M81714/63-22S W/PLUGS INS](#)