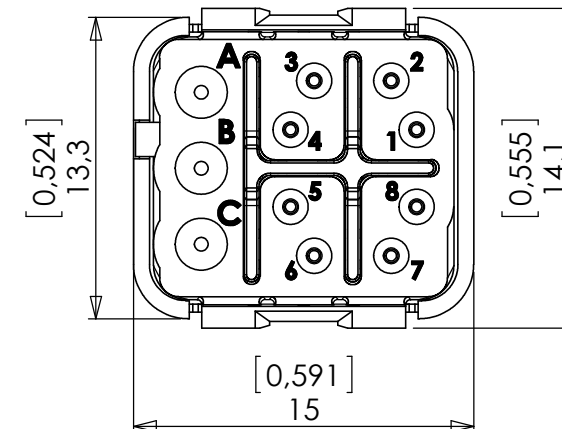
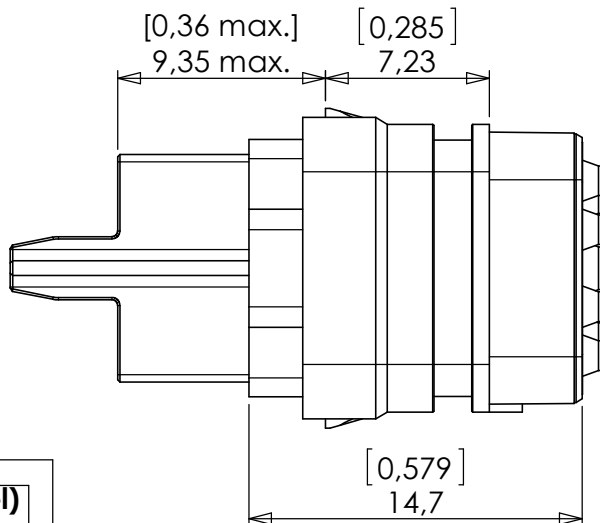
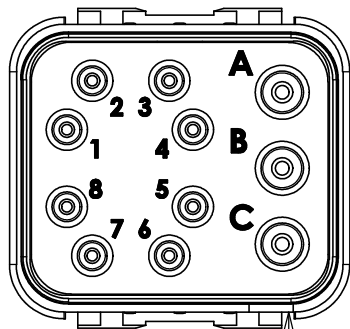


**Issue de la norme EN4165**  
**Arise of EN4165 standard**

**DMC-M 99-02 AX**



**X: Codage A,B,C,D,E,F,G,H ou N (universel)**  
**X: Keying A,B,C,D,E,F,G,H or N (universal)**  
**(1)**

**CARACTERISTIQUES:**

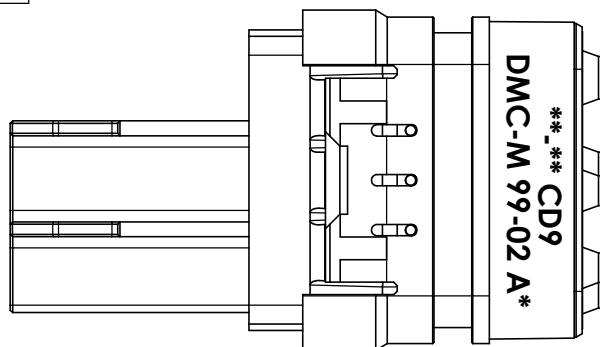
Température d'utilisation: -55°C à +175°C  
Matériaux: Thermoplastique, silicone fluoré  
Tenue de tension:

- contacts #22 : 1300 V eff. ; 50Hz
- contacts #20 : 1500 V eff. ; 50Hz

Masse: 3,6g Maxi  
Dimensions: Millimètres [pouces]  
Utilisation de Contacts:

- 8 contacts mâles #22 - EN3155-008M2222
- 3 contacts mâles #20 - EN3155-008M2020

Outils insertion/extraction:  
- #22 - M81969/14-01  
- #20 - M15570-20



**CHARACTERISTICS:**

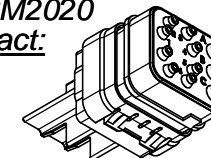
Operating temperature range: -55°C to +175°C  
Material: Thermoplastic and fluorosilicone  
Withstanding voltage:

- contacts #22 : 1300 V eff. ; 50Hz
- contacts #20 : 1500 V eff. ; 50Hz

Weight: 3,6g Maxi  
Dimensions: Millimeters [inches]  
Use of contacts:

- 8 Pin #22 - EN3155-008M2222
- 3 Pin #20 - EN3155-008M2020

Insertion/extraction tool fo contact:  
- #22 - M81969/14-01  
- #20 - M15570-20



**Module livré sans contact / Module delivered without contact**

c	10/04/2017	OE080417	SERIE DMC-M	DATE 21/11/2013	VISA Creation Created	VISA Approval Approval	-	-
b	13/02/2014	OE190214						
Revision	Date	Observations	DESIGNATION <b>Module Mâle High-speed 99-02</b>	REF : <b>DMC-M 99-02 AX</b>	(1)			
ORIGINE :	DE122/12		Male High-speed Module 99-02	P/N:				
			VERSION	REVISION				

**TE** **Connecteurs Electriques Deutsch**  
17, rue LAVOISIER - BP 117 - 27091 EVREUX CEDEX 09 - FRANCE

**FICHE TECHNIQUE**  
**TECHNICAL DATA SHEET**

204-19-C/101

## X-ON Electronics

Largest Supplier of Electrical and Electronic Components

*Click to view similar products for [Rectangular MIL Spec Connectors](#) category:*

*Click to view products by [TE Connectivity](#) manufacturer:*

Other Similar products are found below :

[891-011-15SA2-BSST](#) [CTS-S16/16](#) [65002-062](#) [CY4602-000](#) [732-8020-01](#) [77058-22-55PN](#) [81542-20](#) [86.030.0053.0](#) [1241346-1](#) [RM252-020-311-2900](#) [DMC-M 08-16 SA](#) [1589051-4](#) [MSO34MPK1E1](#) [BACC65CAMA](#) [BACC65CP1PN](#) [BACI10BC0816PNBA](#) [HSB-D4S03DM222X](#) [2217548-1](#) [891-006-9PS-BST1T](#) [891-009-15SA2-BRT1T](#) [27963-20T12](#) [SIM2N40NC3](#) [SIM2S100A](#) [1604996-2](#) [SMD25PN90L-4055](#) [1900ND08S1B00A](#) [22628-10-6P-791](#) [RE04-212S](#) [M32139/03-G05SN](#) [CTD160E01F-6148](#) [CTJ112E03B](#) [CTJ122E02D-8000](#) [CTJ-3D-12](#) [CTJ920E06N-513](#) [CTJ920E12N-513](#) [CTL-16-090](#) [RM300-000-581-0000](#) [CY4600-000](#) [CY4601-000](#) [38111-14-15SN](#) [38112-14-15PN](#) [MMA23-0111R1](#) [MMD25-0071P1](#) [33516062020](#) [33526M11-08PE](#) [DMC-M99-01AN](#) [Y59113WE20PNV00300](#) [ZPF000000000106310](#) [105979-31](#) [EN4165M01AD0G0](#)