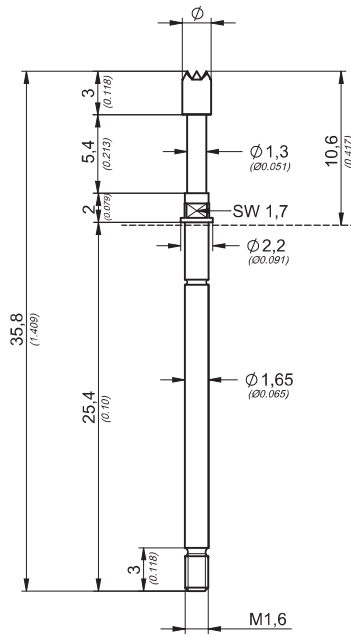
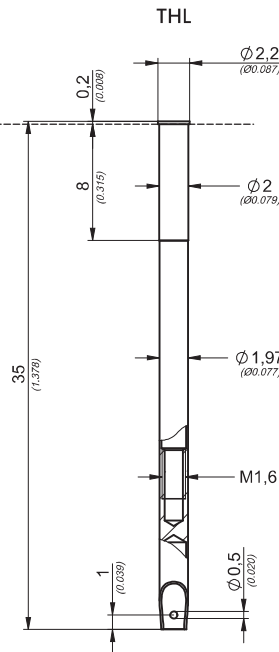




Federkontaktstift TK 32 SCR
Spring Contact Probe



Hülse S 32 SCR
Receptacle



3:1

Serie Series TK 32 SCR

Kopfform Head Type	Nr. No.	Tastkopf Ø mm Probe Tip Ø inch	Werkstoff Material	Federkraft Spring Force in cN	Oberfläche Tastkopf Surface Probe Tip
	02	1,30 / 2,00 0.051 / 0.078	S	Standard 150 cN	A / R
	03	1,30 / 2,00 0.051 / 0.078	S	Standard 5.3 oz.	A / R
	04	2,00 0.078	S	Alternative 300 cN	A / R
	05	0,80 / 1,30 / 1,70 / 2,00 0.032 / 0.051 / 0.067 / 0.078	S / C	Alternative 10.6 oz.	A
	06	2,00 0.078	S / C	Alternative 10.6 oz.	A
	07	1,30 / 1,50 / 1,80 0.051 / 0.059 / 0.071	S / C	+/- 20%	A / R
	07	2,00 / 2,50 0.078 / 0.098	S / C	+/- 20%	A / R
	08	1,30 / 2,00 0.051 / 0.078	S	+/- 20%	A / R
	09	1,30 / 2,00 0.051 / 0.078	S / C	+/- 20%	A
	10	1,30 / 1,50 / 2,00 0.051 / 0.059 / 0.078	S / C	+/- 20%	A
	13	1,30 0.051	S	+/- 20%	A / R

Technische Spezifikationen:
Technical Specifications:

Max. Federweg Max. Travel	5,4 mm 0.213 inch
Arbeitshub Working Stroke	4,0 mm 0.157 inch
Nennstrom Current Rating	5 A
Mittlerer Durchgangswiderstand Average Resistance	R _m = 10 mΩ
Standardabweichung Standard Deviation	s = 1 mΩ

Werkstoffe:
Materials:

Führungshülse Probe Barrel	Messing vergoldet Brass gold plated
Feder Spring	Stahl vergoldet Steel gold plated
Kolben (Kopf) Plunger (Head)	Stahl (S) oder CuBe (C) vergoldet (A) oder rhodiniert (R) Steel (S) or CuBe (C) gold plated (A) or rhodium plated (R)

Bestellbeispiel:
Ordering Example:

Federkontaktstift Spring Contact Probe: TK32SCR. 10. 1,30. S. 150. A
 Serie Series Kopfform Headtype Tastkopf Probe tip Werkstoff Material Federkraft Springforce Oberfläche Surface

Hülse Receptacle: S32SCR. THL
 Serie Series Hülsenart Receptacle Type

TK32SCR.10.1,30.S.150.A S32SCR.THL

Konstruktionsänderung im Interesse der Qualitätsverbesserung vorbehalten. Due to continuous product improvement specifications may change without notice.

X-ON Electronics

Largest Supplier of Electrical and Electronic Components

Click to view similar products for [Contact Probes](#) category:

Click to view products by [TEKON](#) manufacturer:

Other Similar products are found below :

[CT5253](#) [S-4-C-5-G S/C](#) [SS-75-B-2.4-G](#) [ICT-100-J-17-G](#) [300106-000-1103](#) [ICT-100-A-8-G S/C](#) [ICT-075-B-10-G-S S/C](#) [S-2-D-8.3-G D/C](#)
[ICT-100-T-8-G S/C](#) [GSS-4-7-G](#) [S-0-B9-2.5-G S/C](#) [SS-40-J-2.4-G D/C](#) [S-0-V-3.7-G S/C](#) [SX-1-U-6.6-G D/C](#) [SS-50-J-5.1-G S/C](#) [SS-40-J-1.8-](#)
[G-N/L D/C](#) [SS-3-7-G S/C W/HOLE .373 OAL](#) [SS-10-7-G S/C W/HOLE .373 OAL](#) [SS-1-7-G S/C W/HOLE .385 OAL](#) [SHE-5-H-18.7-G](#)
[SHE-5-B-18.7-G](#) [SHE-3-A-7-G](#) [SH-4-A-10-G S/C](#) [101057-001-952](#) [S-50C-HS-4.3-DG-S](#) [S-5-F-8-G S/C SS SPGS](#) [S-5-F-16.4-G S/C](#) [S-4-K-](#)
[5-G S/C](#) [S-4-E-5-D S/C](#) [S-2-J-8.3-G D/C](#) [S-2-E-10-D D/C](#) [S-2-A-10-D D/C](#) [S-100-UR-5.5-G-S](#) [S-100-T-8-RT](#) [S-100-J-17-G](#) [S-100-HK-10-](#)
[G](#) [S-100-D-6.7-G](#) [S-100-B-3.5-G-S](#) [S-100-B-3.5-G](#) [S-1-U-6.6-D D/C .670 OAL](#) [S-1-A-6.6-D D/C .670 OAL](#) [S-075-S-3.8-RT](#) [S-075-J-3-G](#) [S-](#)
[075-B-3-G](#) [S-075-A-7-G](#) [S-00-U-1.6-G D/C SS SPG](#) [S-00-ES-2-G D/C](#) [S-0-U-3.7-D S/C](#) [RX-100-SC](#) [RH-100-WW-429](#)