

Keithley Instruments, Inc.
28775 Aurora Road
Cleveland, Ohio 44139
1-888-KEITHLEY
<http://www.keithley.com>

Description

Use the Model 2450-TLINK cable to connect the Model 2450 digital I/O port to an 8-pin micro DIN type trigger link connector (TLINK).

Figure 1: Model 2450-TLINK cable



NOTE

The item shipped may vary from model pictured here.

WARNING

Do not exceed the voltage rating for this cable. Use this cable only to transfer digital I/O information as a trigger link and not to supply power. Make sure neither connection exceeds the cable's specifications. Failure to follow this warning may result in injury from electrical shock as well as damage to the equipment.



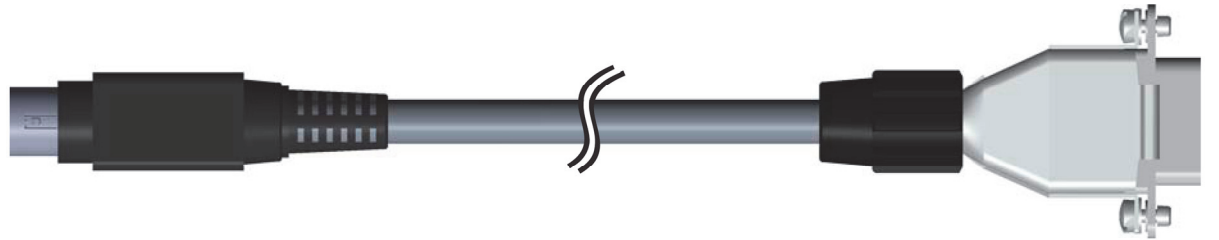
Characteristics

Length: 36 in. (91.5 cm)

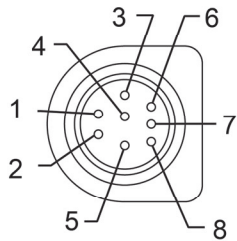
Voltage rating: 42 V (peak)

Maximum current: 1 A

Figure 2: Model 2450-TLINK schematic

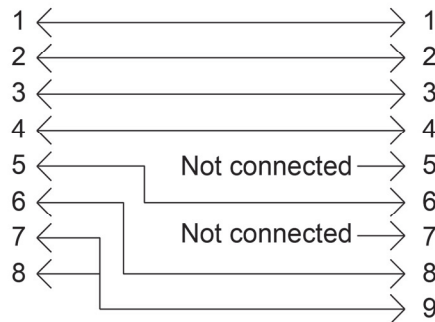


8-pin (male) micro-din connector (locking)

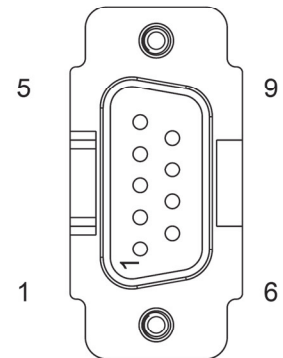


Connect to a trigger link connector (TLINK)

Schematic



9-pin (male) D-subminiature connector



Connect to the Model 2450 digital I/O port

Connection instructions

The following figure shows a typical Model 2450-TLINK connection. When connected, you can use any of the six TLINK lines to send or read TTL signals.

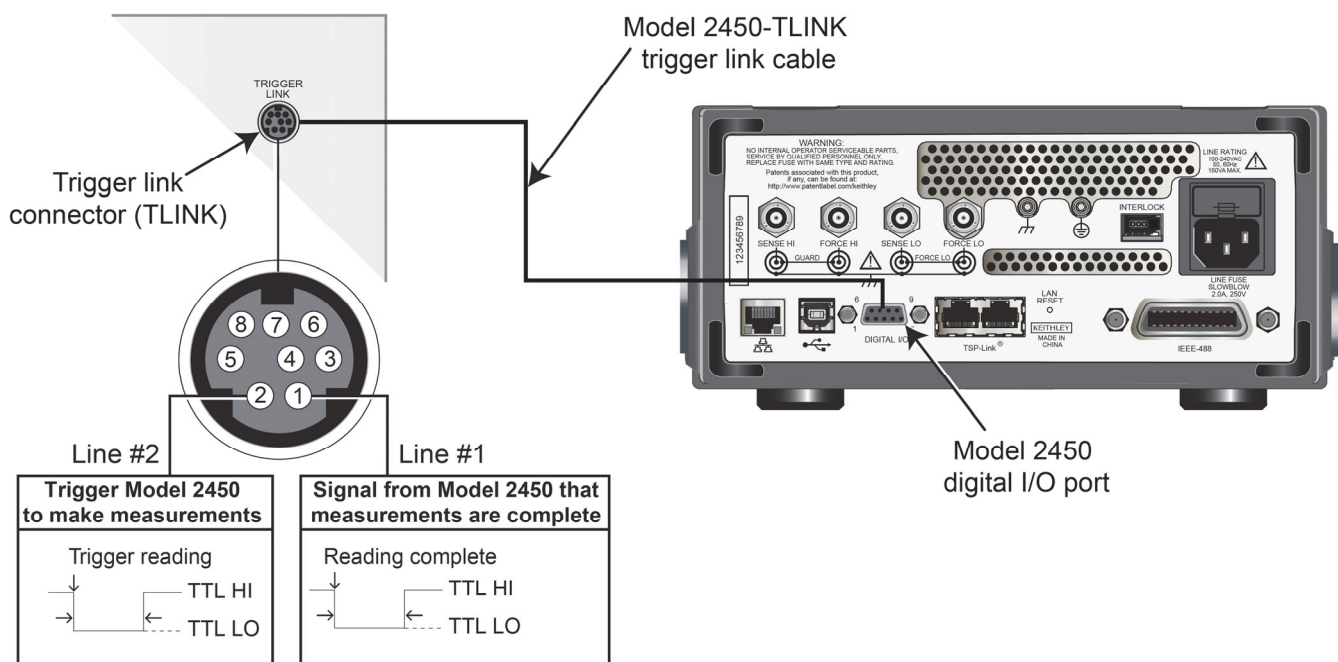
The following connection example controls measurements using TTL LO signals over lines 1 and 2. Configure the Model 2450 to take measurements when a signal is read on digital I/O port pin 2; configure it to send a signal on digital I/O port pin 1 when it is finished measuring. Configure the other instrument (the one with the TLINK connector) to send the start signal on digital I/O port pin 2 and to read the completion signal from digital I/O port pin 1.

NOTE

You must configure which measurements the Model 2450 makes when triggered. You must also configure the TLINK instrument to perform any needed actions before it triggers the Model 2450 and any subsequent actions after it receives the completion signal.

Refer to the Model 2450 Reference Manual for specific trigger link, trigger model, and digital I/O information. For configuration of the other instrument, refer its documentation.

Figure 3: Model 2450-TLINK cable connection to Model 2450



Model 2450-TLINK connection pinouts

Trigger link connector pin	Trigger link	Digital I/O pin **	Port description
1 *	Line #1	1	I/O
2 *	Line #2	2	I/O
3	Line #3	3	I/O
4	Line #4	4	I/O
5	Line #5	6	I/O
6	Line #6	8	I/O
7	Digital common	9	Ground
8	Digital common		
* Used in example ** Pin 5 and pin 7 of the Model 2450 digital I/O are not connected			

X-ON Electronics

Largest Supplier of Electrical and Electronic Components

Click to view similar products for [Specialised Cables](#) category:

Click to view products by [Tektronix](#) manufacturer:

Other Similar products are found below :

[603PT6](#) [603SS6L](#) [604PT6](#) [604SS6](#) [706000D02F200](#) [910640](#) [1200740077](#) [1200740114](#) [AC172](#) [ACL-SSI-4](#) [R88ACAKA0015SRE](#)
[R88ACAWL005SDE](#) [R88ACRGD0R3C](#) [1300150047](#) [1300660036](#) [1302262116](#) [1300150149](#) [1300220020](#) [1300220104](#) [1300220119](#)
[1301240492](#) [1301810221](#) [1365323-1](#) [1613055](#) [176P12](#) [1971465-2](#) [20240400003](#) [20240400013](#) [2085828-1](#) [20886510030](#) [2-22733-8](#) [22733-](#)
[8](#) [CB-5PSBC-RS](#) [CB-704EC-RS](#) [CB-BATACC-RS](#) [CB-JST3PSW-RS](#) [CB-M12COM-R10](#) [25AC84](#) [25AK84X](#) [25AU25](#) [25FN82](#) [3011-03](#)
[AC118](#) [ACL-HHS-1M\(CAT5E\)](#) [SSL009PC2DC012N](#) [FC2A-KC6C](#) [2085828-2](#) [20886510150](#) [CCS-FCB-5](#) [CCSFCBF2](#)