

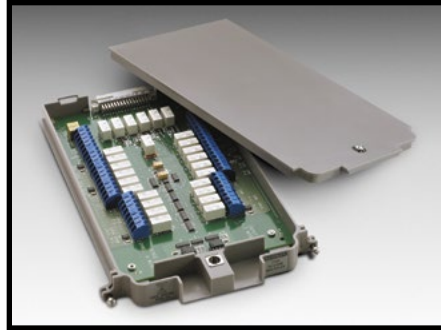
# 7700

## 20-channel, Differential Multiplexer Module with Automatic CJC, Screw Terminals, and up to 50MHz Bandwidth

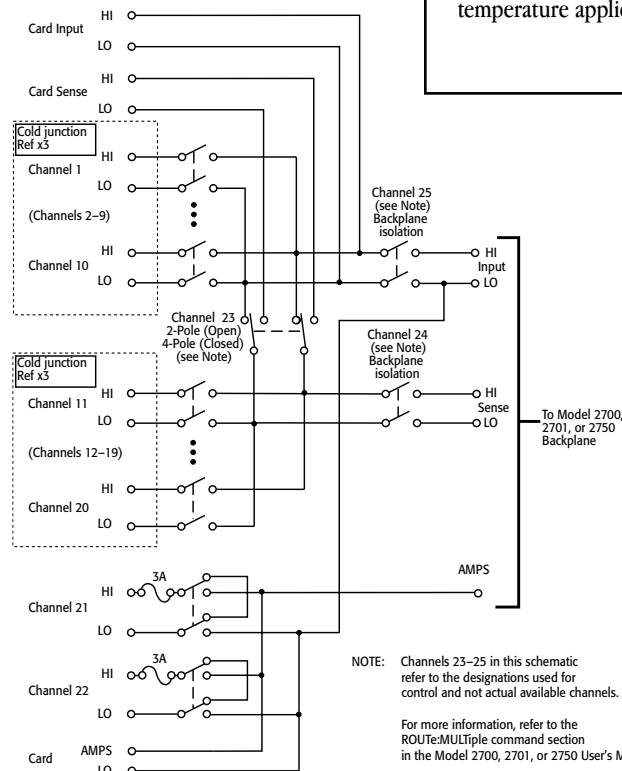
- 20 channels for general-purpose measurements, plus two channels to measure current
- Oversize screw terminal connection blocks are standard for easier connections
- 50MHz bandwidth
- 300V, 1A capacity for voltage channels; 60W, 125VA
- 3A capacity for current channels
- Low insertion loss of up to 50MHz
- Relay closures stored in onboard memory

### Ordering Information

**7700** 20-channel, Differential Multiplexer Module with Automatic CJC and Screw Terminals



The Model 7700 plug-in module offers 20 channels of 2-pole or 10 channels of 4-pole multiplexer switching that can be configured as two independent banks of multiplexers. There are two additional protected channels for current measurements. Automatic CJC is provided so that no other accessories are required to make thermocouple temperature measurements. In addition, the Model 7700 contains latching electromechanical relays that enable signal bandwidths of up to 50MHz. The Model 7700 is ideal for RTD, thermistor, and thermocouple temperature applications.



### CAPABILITIES

**CHANNELS 1-20:** Multiplex one of 20 2-pole or one of 10 4-pole signals into DMM.

**CHANNELS 21-22:** Multiplex one of 2 2-pole current signals into DMM.

### INPUTS

#### MAXIMUM SIGNAL LEVEL:

**Channels (1-20):** 300V DC or 300V rms (425V peak) for AC waveforms, 1A switched, 60W, 125VA maximum.

**Channels (21-22):** 60V DC or 30V rms, 3A switched, 60W, 125VA maximum.

**CONTACT LIFE (typ.):**  $>10^5$  operations at max. signal level.  
 $>10^8$  operations no load<sup>1</sup>.

<sup>1</sup> Open thermocouple detector on during thermocouple measurements. Minimum signal level 10mV, 10 $\mu$ A.

**CONTACT RESISTANCE:**  $<1\Omega$  at end of contact life.

**CONTACT POTENTIAL:**  $<\pm 500$ nV typical per contact, 1 $\mu$ V max.  
 $<\pm 500$ nV typical per contact pair, 1 $\mu$ V max.

**OFFSET CURRENT:**  $<100$ pA.

**CONNECTOR TYPE:** Screw terminal, #20 AWG wire size.

**ISOLATION BETWEEN ANY TWO TERMINALS:**  $>10^{10}\Omega$ ,  $<100$ pF.

**ISOLATION BETWEEN ANY TERMINAL AND EARTH:**  $>10^{10}\Omega$ ,  $<200$ pF.

#### INSERTION LOSS (50 $\Omega$ Source, 50 $\Omega$ Load):

	w/Internal DMM	w/o Internal DMM*
$<0.1$ dB:	1 MHz	1 MHz
$<3$ dB:	2 MHz	50 MHz

#### CROSSTALK (50 $\Omega$ Load):

	w/Internal DMM	w/o Internal DMM*
10 MHz:	$<-40$ dB	$<-40$ dB
25 MHz:	**	$<-25$ dB

**COMMON MODE VOLTAGE:** 300V or 300V rms (425V peak) for AC waveforms between any terminal and chassis.

#### TEMPERATURE ACCURACY USING INTERNAL CJC:

1.0°C (see mainframe specification for details).

\* Channels 24 and 25 are open. Refer to ROUTe:MUlTiple command in 27XX User Manual.

\*\* Not valid.

### GENERAL

**20 CHANNELS:** 20 channels of 2-pole relay input. All channels configurable to 4-pole.

**2 CHANNELS:** 2 channels of current only input.

**RELAY TYPE:** Latching electromechanical.

**ACTUATION TIME:**  $<3$ ms.

**FIRMWARE:** Specified for Model 2700 rev. A01, 2701 rev. A01, and 2750 rev. A01 or higher.

### ENVIRONMENTAL

**OPERATING ENVIRONMENT:** Specified for 0°C to 50°C.  
Specified to 80% R.H. at 35°C.

**STORAGE ENVIRONMENT:**  $-25^\circ\text{C}$  to  $65^\circ\text{C}$ .

**WEIGHT:** 0.45kg (1 lb).

**ACCESSORY AVAILABLE:** Model 7401 Type K Thermocouple Wire, 30.5m (100 ft).

### SERVICES AVAILABLE

7700-3Y-EW 1-year factory warranty extended to 3 years from date of shipment

1.888.KEITHLEY (U.S. only)

www.keithley.com

**KEITHLEY**

A Greater Measure of Confidence

A Tektronix Company

## X-ON Electronics

Largest Supplier of Electrical and Electronic Components

*Click to view similar products for [Test Accessories - Other category](#):*

*Click to view products by [Tektronix manufacturer](#):*

Other Similar products are found below :

[AO1026](#) [AO1035](#) [AO1051](#) [AO1059](#) [149116](#) [149118](#) [RS40](#) [RS41](#) [AO1030](#) [AO1032](#) [AO1036](#) [AO1058](#) [4742](#) [KTS288540](#) [11-32-2733](#)  
[00415](#) [00163](#) [PACC-ZD005](#) [PACC-ZD007](#) [700M20TH](#) [628824000](#) [MPT-VF](#) [B3](#) [15010A0A0100M0](#) [B3](#) [15050A0D01A2M0](#) [B3](#)  
[1505A00A01A1M0](#) [B3](#) [15060A0D0100M0](#) [98-CAL020](#) [MO-SCREEN](#) [VDV500-705](#) [68-020-01P](#) [CVRF02](#) [CPAK8](#) [RT-ZA19](#) [LCR-OPT-](#)  
[02](#) [1-1437358-1](#) [4408](#) [POMONA](#) [DME D110 T1](#) [LMLH 50](#) [FLUKE PM9082/001](#) [85392-12](#) [ST18/SMAM/SMAM/72](#) [HO720](#) [45025](#) [45028](#)  
[CT2300](#) [CC545](#) [VT-1000](#) [CT3041](#) [VS-AVT-CABLE-08](#) [6172A](#)