

7703

- 32 channels for general purpose measurements
- Relay actuation time of less than 1ms for high-speed scanning
- Two- or four-wire measurement
- Two 50-pin female D-sub connectors are standard for secure hook-up and quick teardown

Ordering Information

7703 32-channel, High Speed, Differential Multiplexer Module

Accessories Supplied

Two mating connectors with solder cup (Model 7788)

32-channel, High Speed, Differential Multiplexer Module



The Model 7703 plug-in module offers 32 channels of 2-pole or 16 channels of 4-pole multiplexer switching that can be configured as two independent banks of multiplexers. The non-latching reed relays provide high speeds and are designed for 300 volt, 500mA; 10VA. The relay closures are stored in onboard memory. The Model 7703 is ideal for RTD and thermistor temperature applications.

CAPABILITIES

CHANNELS 1–32: Multiplex one of 32 2-pole or one of 16 4-pole signals into DMM.

INPUTS

MAXIMUM SIGNAL LEVEL:

Channels (1–32): 300V DC or rms, 0.5A switched, 10W maximum.

Contact Life (typ): $>5 \times 10^4$ operations at max. signal level.
 $>10^8$ operations cold switching.

CONTACT RESISTANCE: $<1\Omega$ at end of contact life.

CONTACT POTENTIAL:

$<\pm 3\mu\text{V}$ typical per contact, $6\mu\text{V}$ max.
 $<\pm 3\mu\text{V}$ typical per contact pair, $6\mu\text{V}$ max.

OFFSET CURRENT: $<100\text{pA}$.

CONNECTOR TYPE: 50 pin D-sub $\times 2$.

RELAY DRIVE CURRENT: 20mA per channel.

ISOLATION BETWEEN ANY TWO TERMINALS: $>10^9\Omega$, $<200\text{pF}$.

ISOLATION BETWEEN ANY TERMINAL AND EARTH: $>10^9\Omega$, $<400\text{pF}$.

CROSS TALK (1 MHz, 50 Ω Load): $<-40\text{dB}$.

INSERTION LOSS (50 Ω Source, 50 Ω Load): $<0.35\text{dB}$ below 1MHz. $<3\text{dB}$ below 2MHz.

COMMON MODE VOLTAGE: 300V between any terminal and chassis.

GENERAL

32 CHANNELS: 32 channels of 2-pole relay input.
All channels configurable to 4-pole.

RELAY TYPE: Reed.

ACTUATION TIME: $<1\text{ms}$.

FIRMWARE: Specified for Model 2700 rev. A01, 2701 rev. A01, and 2750 rev. A01 or higher.

ENVIRONMENTAL

OPERATING ENVIRONMENT: Specified for 0°C to 50°C .
Specified to 80% R.H. at 35°C .

STORAGE ENVIRONMENT: -25°C to 65°C .

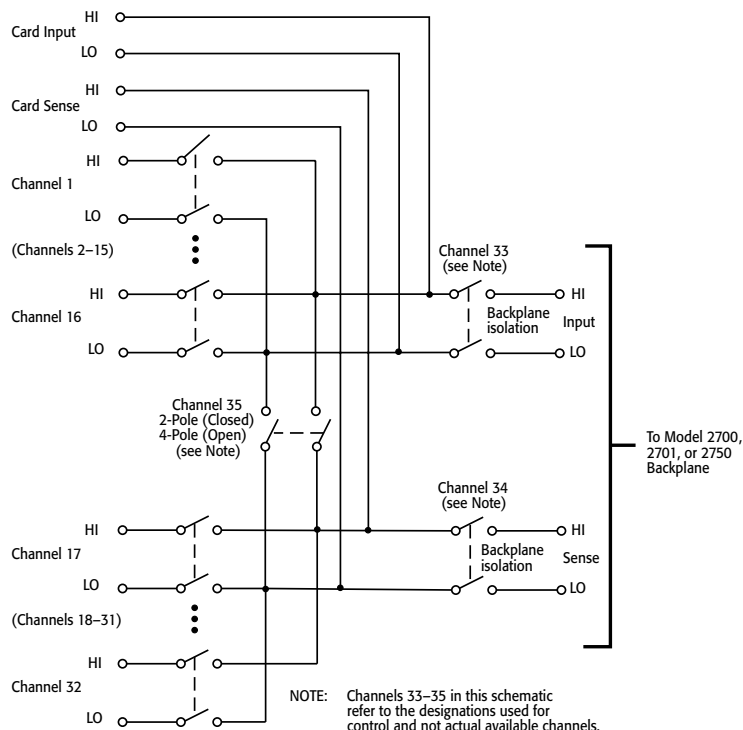
WEIGHT: 0.8kg (1.75 lbs).

ACCESSORIES AVAILABLE

7705-MTC-2 50 Pin Male to Female D-sub Cable, 2m (6.6 ft).

SERVICES AVAILABLE

7703-3Y-EW 1-year factory warranty extended to 3 years from date of shipment



1.888.KEITHLEY (U.S. only)

www.keithley.com

A Greater Measure of Confidence

KEITHLEY

A Tektronix Company

Use with Integra Series mainframes: 2700, 2701, 2750

DIGITAL MULTIMETERS & SYSTEMS

X-ON Electronics

Largest Supplier of Electrical and Electronic Components

Click to view similar products for [Test Accessories - Other](#) category:

Click to view products by [Tektronix](#) manufacturer:

Other Similar products are found below :

[AO1026](#) [AO1035](#) [AO1051](#) [AO1059](#) [149116](#) [149118](#) [RS40](#) [RS41](#) [AO1030](#) [AO1032](#) [AO1036](#) [AO1058](#) [4742](#) [KTS288540](#) [11-32-2733](#)
[00415](#) [00163](#) [PACC-ZD005](#) [PACC-ZD007](#) [700M20TH](#) [628824000](#) [MPT-VF](#) [B3](#) [15010A0A0100M0](#) [B3](#) [15050A0D01A2M0](#) [B3](#)
[1505A00A01A1M0](#) [B3](#) [15060A0D0100M0](#) [98-CAL020](#) [MO-SCREEN](#) [68-020-01P](#) [CVRF02](#) [CPAK8](#) [RT-ZA19](#) [LCR-OPT-02](#) [1-1437358-1](#)
[4408](#) [POMONA](#) [DME D110 T1](#) [LMLH 50](#) [FLUKE PM9082/001](#) [85392-12](#) [ST18/SMAM/SMAM/72](#) [HO720](#) [BNC PROBES 310-064](#) [45025](#)
[45028](#) [CT2300](#) [CC545](#) [VT-1000](#) [CT3041](#) [6172A](#) [68-023-01](#)