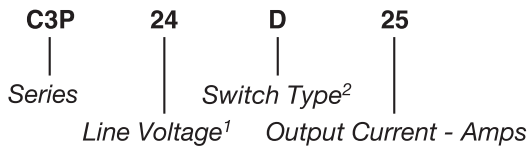


Part Number	Description
C3P24D25	25A, 280 Vac
C3P24D25C	25A, 280 Vac

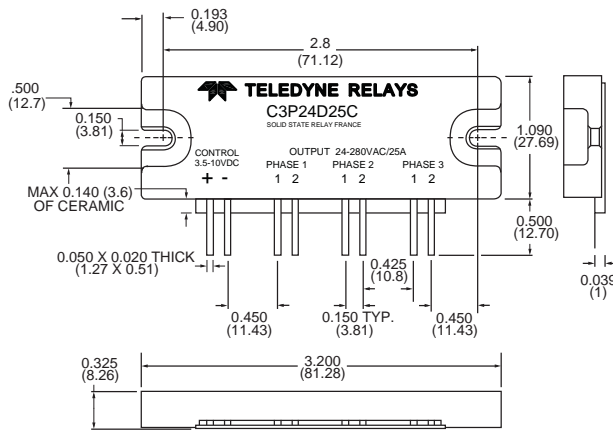
Part Number Explanation



NOTES

- 1) Line Voltage (nominal): 48 = 480 Vac
- 2) Switch Type: D = Zero-cross turn-on
- 3) Thermal Pad: -12 (ex: C3P24D25C-12)

MECHANICAL SPECIFICATION



WEIGHT: 1.093 oz. (31g)

Figure 1 — Dimensions in inches [mm]

INPUT (CONTROL) SPECIFICATION

	Min	Max	Units
Control Range			
C3P24D25	10	30	Vdc
C3P24D25C	3.5	10	Vdc
Input Current Range			
	9	30	mA
Must Turn-Off Voltage			
		1	Vdc
Input Internal Resistor (Typical)			
		250	Ω
Input Resistance (See Figure 2)			
Reverse Voltage Protection			
C3P24D25		30	Vdc
C3P24D25C		10	Vdc



FEATURES/BENEFITS

- Three-phase solid state relay in a compact SIP package
- High-temperature plastic housing for mechanical ruggedness
- Tight zero-cross window for low EMI
- Exposed ceramic baseplate for reduced thermal resistance

DESCRIPTION

The Series C3P three-phase AC solid-state relays are designed to control medium amounts of power in three-phase applications. Optical isolation ensures complete protection of the C3P's control circuit from load transients. The C3P's compact plastic housing provides a low-cost alternative to large metallic three-phase contactors. The C3P is designed with heatsinking in mind. The ceramic baseplate provides excellent thermal performance. The relay's tight zero-cross window greatly reduces EMI.

APPLICATIONS

- Heating control
- HVAC controls
- Light/Lamp control
- Three-phase AC loads

CONTROL CHARACTERISTIC

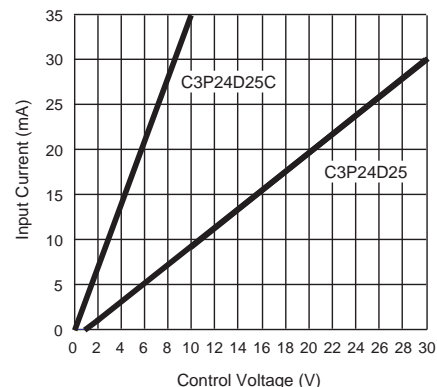


Figure 2

OUTPUT (LOAD) SPECIFICATION

	Min	Max	Units
Operating Range	24	280	Vrms
Peak Voltage		600	Vpeak
Load Current Range (See Figure 4)	.05	25	Arms
Maximum Surge Current Rating (Non-Repetitive) (See Figure 5)		250	A
On-State Voltage Drop	$0.81 + (0.018 \times I)$		V
Zero-Cross Window (Typical)		±12	V
Off-State Leakage Current (60 Hz)		1	mA
Turn-On Time		8.3	ms
Turn-Off Time		8.3	ms
Off-State dv/dt		500	V/μs
Operating Frequency Range	47	2000(*)	Hz
I ² t for Match Fusing (<8.3 ms)		260	A ² S
Thermal Resistance (One phase) R _{thj/c}		0.85	°C/W

ENVIRONMENTAL SPECIFICATION

	Min	Max	Units
Operating Temperature	-40	100	°C
Storage Temperature	-55	100	°C
Input-Output Isolation	2500		Vi
Output-Case Isolation	2500		Vi
Rated Impulse Voltage	2500		V

BLOCK DIAGRAM

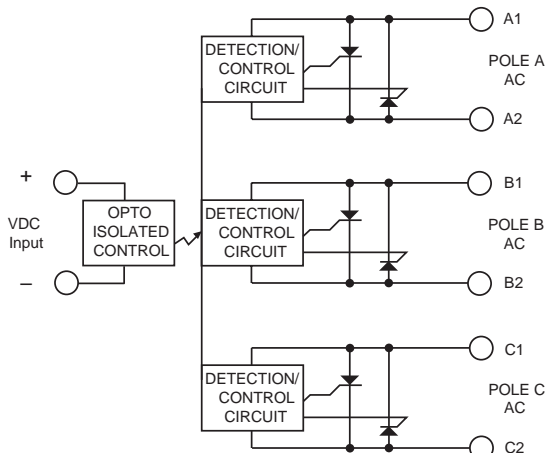


Figure 3

NOTES

1. Electrical specifications at 25 °C unless otherwise specified.
2. See figure 6 for output protection recommendation
3. For additional/custom options, contact factory

THERMAL CHARACTERISTICS

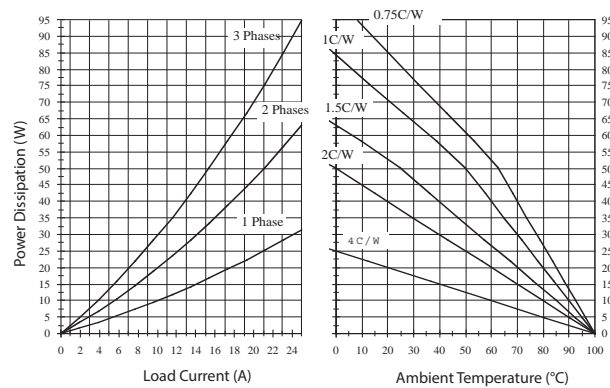


Figure 4

SURGE CURRENT

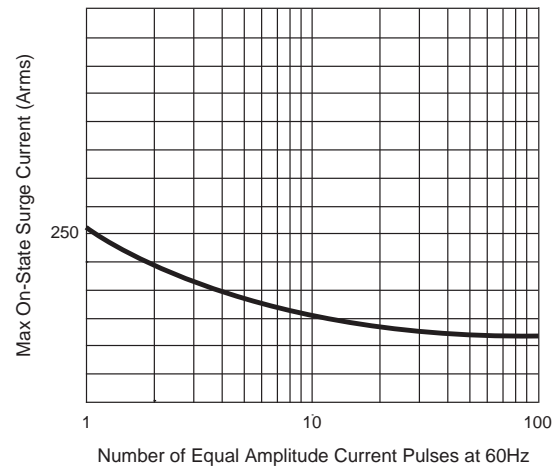


Figure 5

RECOMMENDED OUTPUT VOLTAGE PROTECTION

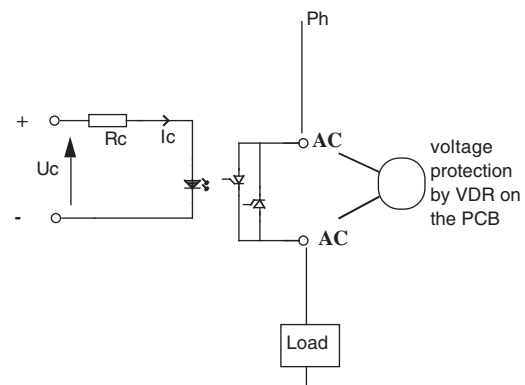


Figure 6

An external Voltage Dependent Resistor (VDR) is recommended in case of voltage spike.

NOTES

(*) Relay built with back-to-back thyristors and high performance optocouplers. Relays have been tested at Teledyne Relays with frequencies higher than 2000 Hz on a resistive load. For other loads the user will have to check functionality in final application.

X-ON Electronics

Largest Supplier of Electrical and Electronic Components

Click to view similar products for [Teledyne manufacturer](#):

Other Similar products are found below :

[CR-38S33C-T](#) [611-13](#) [M28776/3-036L](#) [712DM2-12](#) [732DM-12](#) [EUM099-M265](#) [EUM139-M265](#) [FB512FSZ](#) [MOSD5050R200L](#)
[MOSFD5050R200L](#) [MOSFD5050R50H](#) [MOSFD5050R50L](#) [PK007-003](#) [PK007-019](#) [PK007-026](#) [PK007-027](#) [PK116-2](#) [PK116-3](#) [PK1-5MM-](#)
[102](#) [PK1-5MM-105](#) [PK1-5MM-120](#) [PK400-1](#) [PK702](#) [PKIT3-5MM-101](#) [PK-ZS-003](#) [PK-ZS-006](#) [PK-ZS-008](#) [PK-ZS-012](#) [PK-ZS-015](#) [PK-](#)
[ZS-021](#) [PK-ZS-022](#) [PK-ZS-024](#) [GEN500-16B-60](#) [DRDT600240A10](#) [MS-250](#) [E3PT48A12](#) [E3PT48A50H](#) [EFD113R-D70](#) [EFM099R-M79](#)
[EFM119-M160](#) [EFM411-M359*](#) [EFM759-M166*](#) [EFMT524-M159](#) [EFMT723-M159](#) [EFR1200480A150](#) [EFRD1200480R150](#)
[EFRTP600240R150](#) [EISC82-TD](#) [MSO-DLS-18](#) [ER114DM4-12A/Q](#)