



Commercial CCR-33

Miniature DC-18GHz SPDT Switch

Failsafe

The CCR-33 Switch is a broadband, SPDT, electromechanical, coaxial switch designed to switch a microwave signal from a common input to either of two outputs. The characteristic impedance is 50 Ohms. The switches are small with connector spacing compatible with SMA connectors.

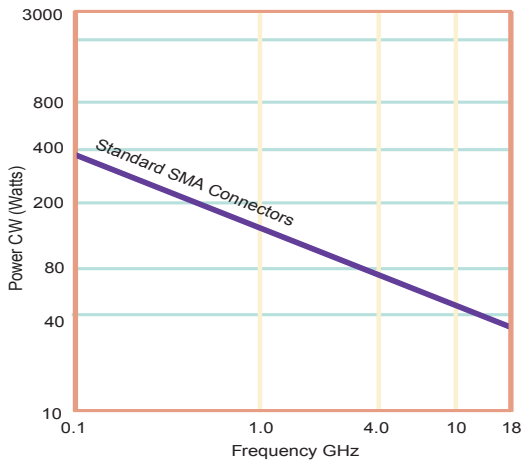
The CCR-33 series switch is offered with either a failsafe or latching actuator. This design is compatible with the two most common mounting hole patterns. The CCR-33 series switch is interchangeable with a variety of switches.

Specifications

RF Contacts:	Break before make			
Actuator	Voltage (VDC) 20°C	12	15	28
	Current (mA)	200	160	90
Switching Time:	20 msec max			
Connectors:	SMA (f)			
Weight:	1.65 oz. max			
Temperature Range:	-40°C to +65°C (Operating)			
Shock:	MIL-STD-202 Method 213, Condition D (500G Non Operating)			
Vibration:	MIL-STD-202 Method 214, Condition D (10G RMS Non Operating)			
Humidity:	Moisture Seal Available			
Typical Contact Life:	5 Million Cycles			
RF Power Handling				

Insertion Loss Repeatability (1 Million Cycles):

DC to 6 GHz: 0.05 dB
 DC to 20 GHz: 0.1 dB



Specifications	DC-6 GHz	6-12 GHz	12-18 GHz
VSWR (max)	1.25:1	1.40:1	1.50:1
Insertion Loss (max)	0.20 dB	0.40 dB	0.50 dB
Isolation (min)	70.0 dB	60.0 dB	60.0 dB



Specifications subject to change without notice.

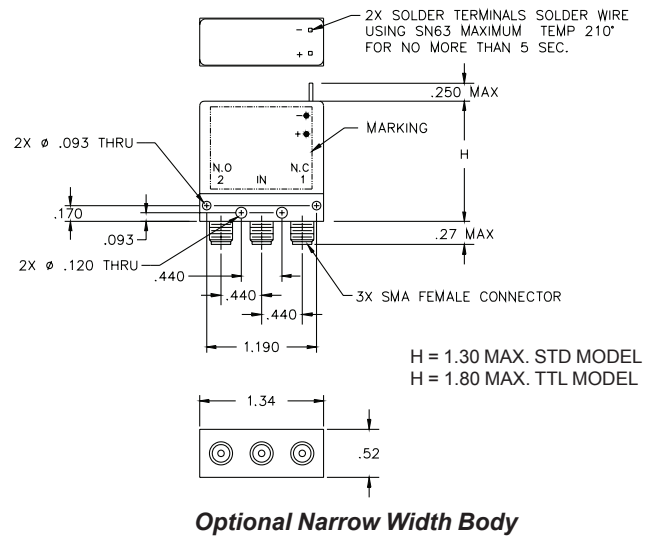
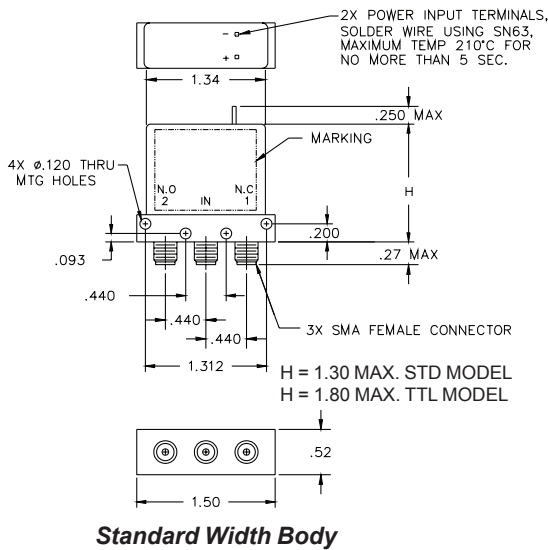
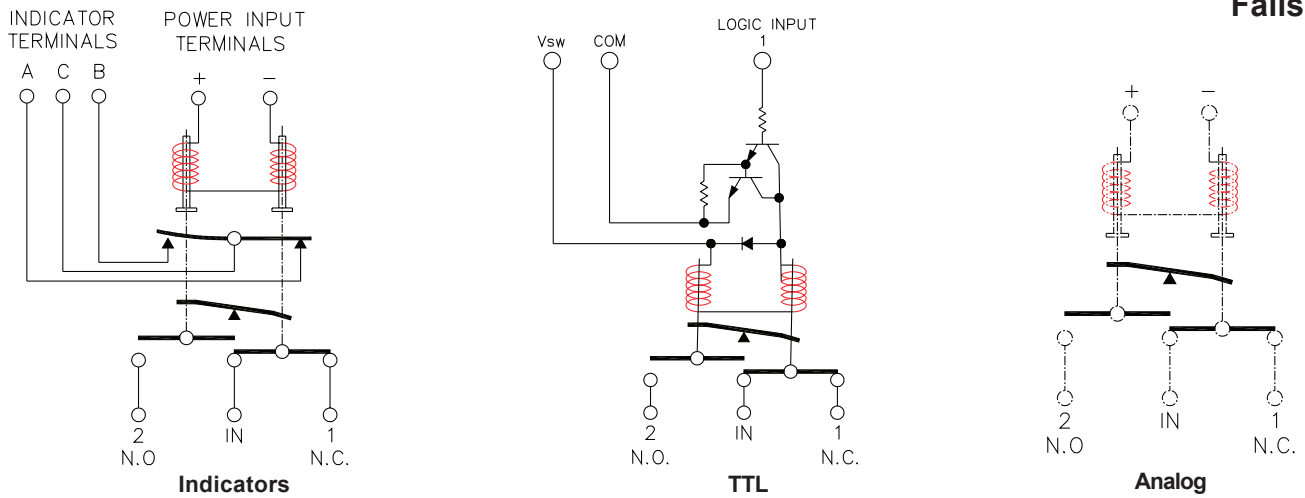
www.teledynecoax.com
 email: coax@teledyne.com

Tel: (800) 351-7368
 10/2007

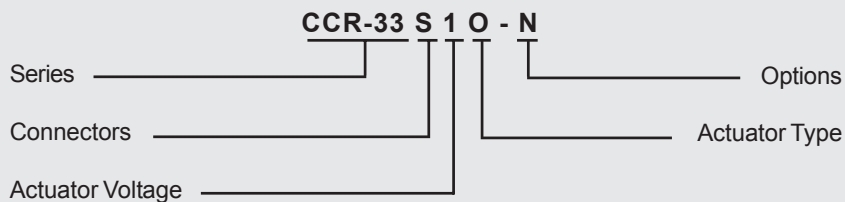
Commercial CCR-33

Miniature DC-18GHz SPDT Switch

Failsafe



Part Numbering System for CCR-33 (Failsafe)



Connector
S: SMA Female #

Actuator Voltage
1: 28Vdc Failsafe #
2: 15Vdc Failsafe #
3: 12Vdc Failsafe #

Actuator Type
O: No Indicator Contacts #
C: Indicator Contacts #

Options
T: TTL Drivers with Diodes
N: Narrow Body #
R: Positive + Common

For other options contact Factory

#: Stock item subject to prior sale



Specifications subject to change without notice.

www.teledynecoax.com
email: coax@teledyne.com

Tel: (800) 351-7368
10/2007

X-ON Electronics

Largest Supplier of Electrical and Electronic Components

Click to view similar products for [teledyne manufacturer](#):

Other Similar products are found below :

[CR-38S33C-T](#) [611-13](#) [M28776/3-036L](#) [712DM2-12](#) [732DM-12](#) [EUM099-M265](#) [EUM139-M265](#) [FB512FSZ](#) [MOSD5050R200L](#)
[MOSFD5050R200L](#) [MOSFD5050R50H](#) [MOSFD5050R50L](#) [PK007-003](#) [PK007-019](#) [PK007-024](#) [PK007-026](#) [PK116-2](#) [PK116-3](#) [PK1-5MM-](#)
[102](#) [PK1-5MM-105](#) [PK1-5MM-120](#) [PK400-1](#) [PK702](#) [PKIT3-5MM-101](#) [PK-ZS-003](#) [PK-ZS-006](#) [PK-ZS-008](#) [PK-ZS-012](#) [PK-ZS-015](#) [PK-](#)
[ZS-021](#) [PK-ZS-022](#) [PK-ZS-024](#) [GEN500-16B-60](#) [DRDT600240A10](#) [MS-250](#) [E3PT48A12](#) [E3PT48A50H](#) [EFD113R-D70](#) [EFM099R-M79](#)
[EFM119-M160](#) [EFM411-M359*](#) [EFM759-M166*](#) [EFMT524-M159](#) [EFMT723-M159](#) [EFR1200480A150](#) [EFRD1200480R150](#)
[EFRTP600240R150](#) [EISC82-TD](#) [MSO-DLS-18](#) [ER114DM4-12A/Q](#)