



# Commercial CCR-38

## Multi-Throw DC-18GHz

### Normally Open

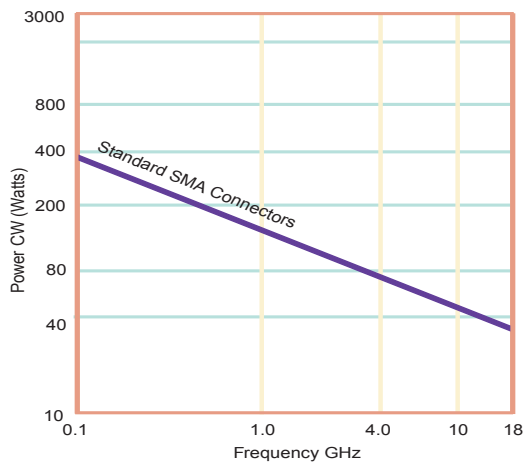
The CCR-38 Switch is a broadband, multi-throw, electromechanical coaxial switch designed to switch a microwave signal from a common input to any of 3, 4, 5, or 6 outputs. The characteristic impedance is 50 Ohms. The switches are small using the popular connector spacing on a 1.062" dia. circle. Each position has an individual actuator mechanism allowing random position selection. This also gives the minimum switching time.

#### Specifications

<b>RF Contacts:</b>	Break before make			
<b>Actuator</b>	Voltage (VDC) 20°C	12	15	28
	Current (mA)	170	136	140
<b>Switching Time:</b>	15 msec max			
<b>Connectors:</b>	SMA (f)			
<b>Weight:</b>	6 oz. max			
<b>Temperature Range:</b>	-40°C to +65°C (Operating)			
<b>Shock:</b>	MIL-STD-202 Method 213, Condition D (500G Non Operating)			
<b>Vibration:</b>	MIL-STD-202 Method 214, Condition D (10G RMS Non Operating)			
<b>Humidity:</b>	Moisture Seal Available			
<b>MTBF:</b>	6.5 Million Hours ( MIL-HDBK-217F Fixed, 25°C, <1 Cycle per hour)			

With the normally open actuator, all paths are open when the switch is de-energized.

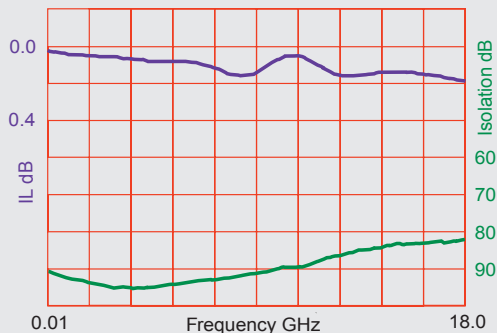
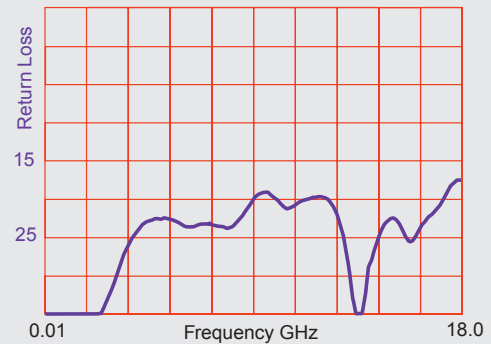
#### RF Power Handling



#### Specifications

	DC-6 GHz	6-12 GHz	12-18 GHz
VSWR (max)	1.25:1	1.40:1	1.50:1
Insertion Loss (min)	0.20 dB	0.40 dB	0.50 dB
Isolation (max)	70.0 dB	60.0 dB	60.0 dB

#### Typical Performance



Specifications subject to change without notice.

www.teledynecoax.com  
email: coax@teledyne.com

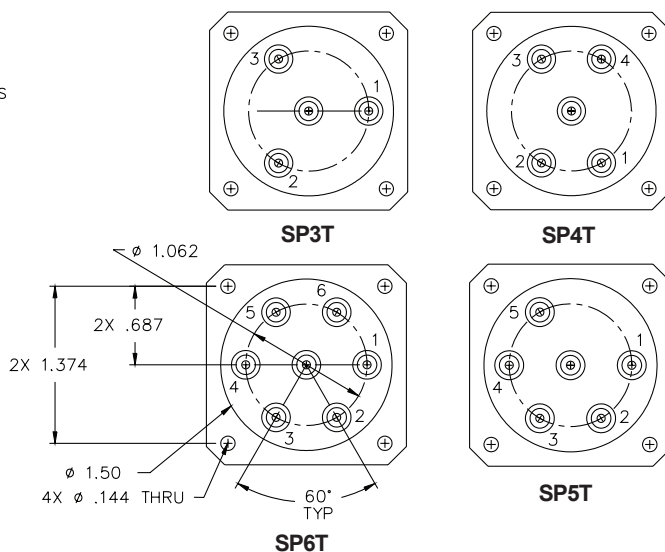
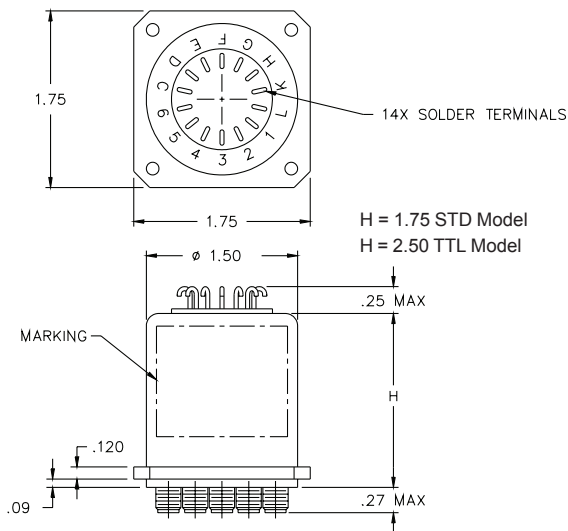
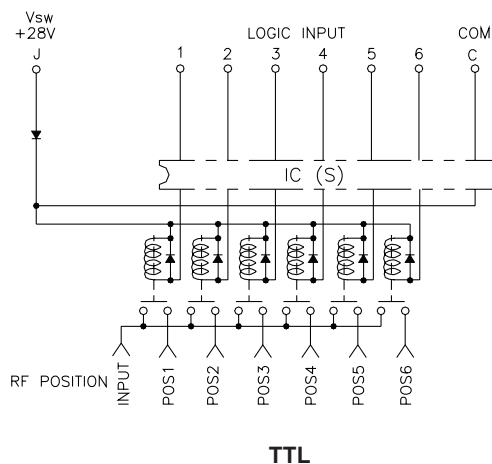
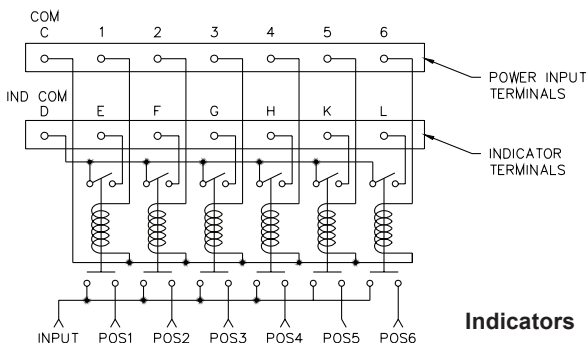
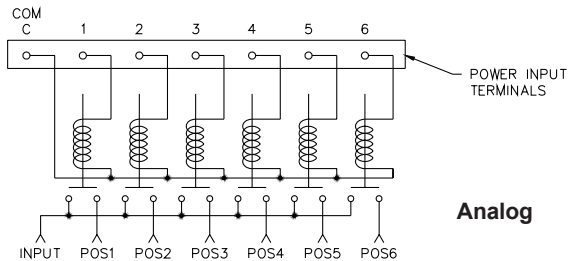
Tel: (800) 351-7368

10/2007

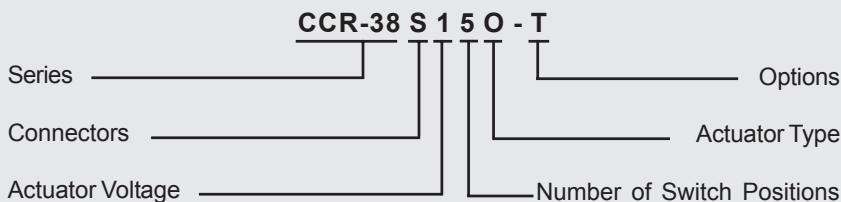
# Commercial CCR-38

## Multi-Throw DC-18GHz

### Normally Open



### Part Numbering System for CCR-38 (Normally Open)



#### Connector

S: SMA Female #

#### Actuator Voltage

1: 28Vdc Normally Open #  
2: 15Vdc Normally Open #  
3: 12Vdc Normally Open #

#### Number of Positions

3: SP3T #  
4: SP4T #  
5: SP5T #  
6: SP6T #

#### Actuator Type

O: No Indicator Contacts #  
C: Indicator Contacts #

#### Options

T: TTL Drivers with Diodes  
R: Positive + Common  
TD: TTL Driver with Decoder

For other options contact Factory

#: Stock item subject to prior sale



Specifications subject to change without notice.

www.teledynecoax.com  
email: coax@teledyne.com

Tel: (800) 351-7368  
10/2007

## X-ON Electronics

Largest Supplier of Electrical and Electronic Components

*Click to view similar products for [Coaxial Switches](#) category:*

*Click to view products by [Teledyne](#) manufacturer:*

Other Similar products are found below :

[CR-53S10](#) [R570012030](#) [R570022105](#) [R570123005](#) [R570262100](#) [R570312100](#) [R570323100](#) [R570363010](#) [R570432000](#) [R570433000](#)  
[R570442100](#) [R570D33000](#) [R570E52010](#) [R574402410](#) [R585422030](#) [R585423230](#) [R585462200](#) [R599311000](#) [R599906000](#) [ARD70224](#) [CCT-](#)  
[38S150-T](#) [R570012000](#) [R570063100](#) [R570143005](#) [R570313100](#) [R570333040](#) [R570343000](#) [R570343040](#) [R570362100](#) [R570423030](#)  
[R570432010](#) [R570433100](#) [R570443030](#) [R570463100](#) [R570F63010](#) [R573003425](#) [R573302435](#) [R573433600](#) [R577042100](#) [R577442100](#) [CR-](#)  
[58S160](#) [R570442010](#) [R573482620](#) [R573422420](#) [R574413300](#) [R573413685](#) [R585343230](#) [R573302520](#) [R577F13007](#) [R573433445](#)