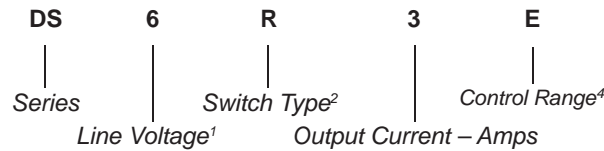


| Part Number | Description |
|-------------|-------------|
| DS6R3E | 3A, 60 Vdc |

Part Number Explanation



NOTES

- 1) Line Voltage (nominal) 6 = 60 Vdc
- 2) Switch Type: R = Random turn-on
- 3) Control Range: E = 3-30 Vdc

MECHANICAL SPECIFICATION

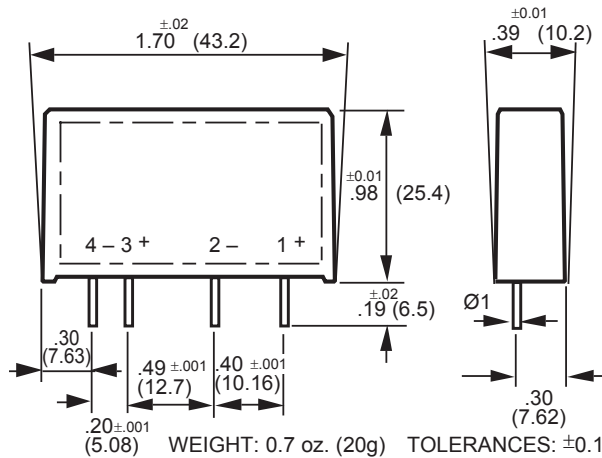


Figure 1 – DS relays; dimensions in inches (mm)

BLOCK DIAGRAM

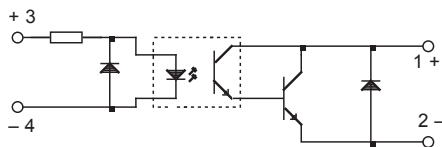


Figure 2 – DS relays



FEATURES/BENEFITS

- Industry standard package
- Surge tolerant
- Compact size

DESCRIPTION

The DS 3-amp solid-state single inline package (SIP) four-pin relays are designed for mounting on printed circuit boards. The relays are designed for medium power DC loads. The Series DS relay is an alternative to electromechanical and reed relays.

APPLICATIONS

- Programmable logic controllers
- Instrumentation
- Test equipment
- Solenoid drivers

TYPICAL APPLICATION

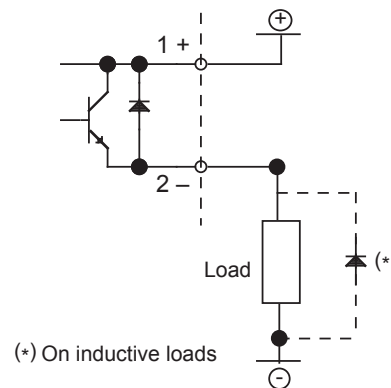


Figure 3 – DS relays

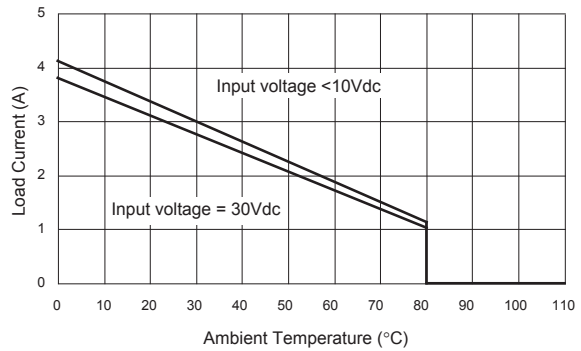
INPUT (CONTROL) SPECIFICATION

| | Min | Max | Units |
|----------------------------|-----|------|-------|
| Control Range | 3 | 30 | Vdc |
| Input Current Range | 1 | 30 | mAdc |
| Must Turn-Off Voltage | | 1 | Vdc |
| Input Resistance (Typical) | | 1000 | Ohms |

OUTPUT (LOAD) SPECIFICATION

| | Min | Max | Units |
|---|------|-----|-------|
| Operating Range | 2 | 60 | Vdc |
| Peak Voltage | | 60 | Vpeak |
| Load Current Range | .005 | 3 | A |
| Maximum Surge Current Rating (Non-Repetitive) | | 10 | Apeak |
| On-State Voltage Drop | | 1.6 | Vdc |
| Off-State Leakage Current | | 1 | mA |
| Turn-On Time | 200 | | μs |
| Turn-Off Time | 800 | | μs |
| Off-State dv/dt | 200 | | V/μs |
| Switching Frequency | 0 | 500 | Hz |

LOAD CURRENT DERATING CURVES



ENVIRONMENTAL SPECIFICATION

| | Min | Max | Units |
|------------------------|-----|------|-------|
| Operating Temperature | -40 | 80 | °C |
| Storage Temperature | -40 | 105 | °C |
| Input-Output Isolation | | 2500 | Vrms |
| Input-Output Capacity | | 8 | pF |

NOTES

- 1) Electrical specifications at 25°C unless otherwise specified
- 2) On inductive loads, a free-wheeling diode (or clamp) is recommended
- 3) For additional/custom options, contact factory.

X-ON Electronics

Largest Supplier of Electrical and Electronic Components

Click to view similar products for [Solid State Relays - PCB Mount](#) category:

Click to view products by [Teledyne](#) manufacturer:

Other Similar products are found below :

[M86F-2W](#) [M90F-2Y](#) [G2-1A07-ST](#) [G2-1A07-TT](#) [G2-1B02-TT](#) [G2-DA06-ST](#) [923812OCAS](#) [PLA134S](#) [DS11-1005](#) [AQH3213J](#) [AQV212J](#)
[AQY412EHAJ](#) [EFR1200480A150](#) [901-7](#) [LCA220](#) [LCB110S](#) [1618400-5](#) [SR75-1ST](#) [AQH2213AJ](#) [AQV112KLJ](#) [AQV212AJ](#) [AQV238AD01](#)
[AQW414TS](#) [AQY221N2SYD01](#) [AQY221R2VJ](#) [AQY275AXJ](#) [AQY414SXE01](#) [G2-1A02-ST](#) [G2-1A03-ST](#) [G2-1A03-TT](#) [G2-1A05-ST](#) [G2-](#)
[1A06-TT](#) [G2-1A23-TT](#) [G2-1B01-ST](#) [G2-1B01-TT](#) [G2-1B02-ST](#) [G2-DA03-ST](#) [G2-DA03-TT](#) [G2-DA06-TT](#) [CPC1333GR](#) [3-1617776-2](#)
[CTA2425](#) [TLP3131\(F\)](#) [LBA110S](#) [LBB110S](#) [LCA110LSTR](#) [LCB126S](#) [WPPM-0626D](#) [WPPM-3526D](#) [WPPM-3588D](#)