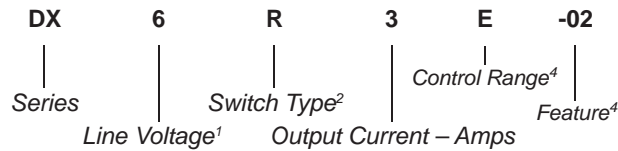


Part Number	Description
DX6R3E-02	3A, 60 Vdc

Part Number Explanation



NOTES

- 1) Line Voltage (nominal) 6 = 60 Vdc
- 2) Switch Type: R = Random turn-on
- 3) Control Range: E = 5-30 Vdc (3-30 Vdc for DX6R3E-02);
U = 90-240 Vac
- 4) Feature: 02 = With LED



FEATURES/BENEFITS

- New generation of solid-state relays for DIN rail mounting
- Control visualization by LED
- AC/DC control
- High immunity to surges

DESCRIPTION

The Series DX relays are designed for DIN-rail mounting. These solid-state relays include a control LED that provides visual control status. The tight zero-cross window significantly reduces EMI. Its compact size and user friendly package make the Series DX relay an excellent choice for designers.

APPLICATIONS

- Interface applications
- Vending machines
- Light/lamp control
- Contactor driver
- Fan speed control
- HVAC controls

MECHANICAL SPECIFICATION

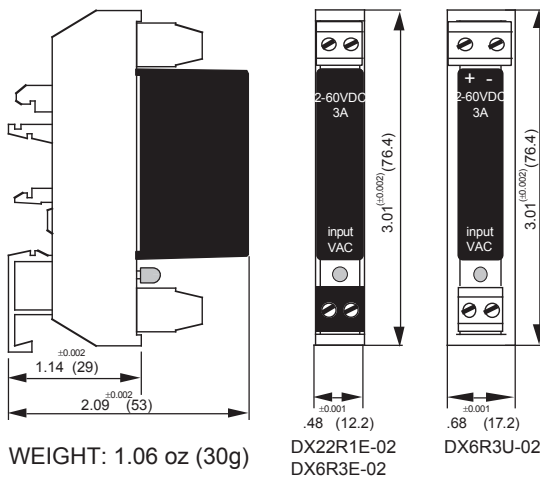


Figure 1 — DX relays, dimensions in inches (mm)

BLOCK DIAGRAM

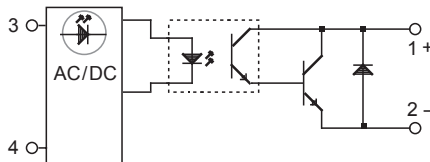


Figure 3 — DX relays

TYPICAL APPLICATION

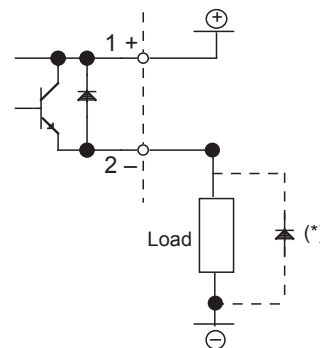


Figure 2 — DX relays

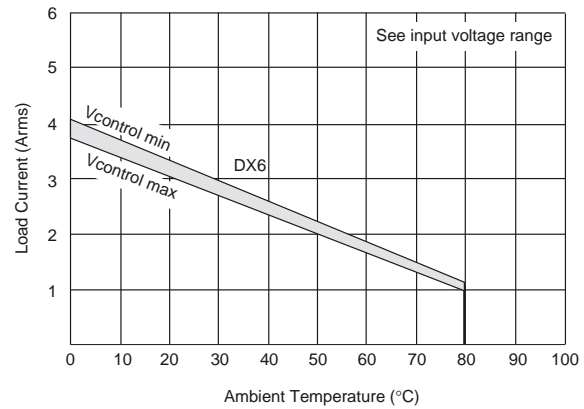
INPUT (CONTROL) SPECIFICATION

	Min	Max	Units
Control Range			
DX6R3E-02	3	30	Vdc
DX6R3U-02	90	240	Vac/dc
Input Current Range			
DX6R3E-02	1	30	mA
DX6R3U-02	2	5.7	mA
Must Turn-Off Voltage			
DX6R3E-02	1		Vdc
DX6R3U-02	15		Vac/dc
Input Resistance (Typical)			
DX6R3E-02		600	Ohms
DX6R3U-02		41,000	Ohms

OUTPUT (LOAD) SPECIFICATION

	Min	Max	Units
Operating Range	2	60	V
Peak Voltage		60	V
Load Current Range	.003	3	A
On-State Voltage Drop		1.6	V
Maximum Surge Current Rating (Non-Repetitive)			
DX6R3E-02		5	A _{peak}
DX6R3U-02		10	A _{peak}
Off-State Leakage Current (60Hz)			
DX6R3E-02		0.3	mA
DX6R3U-02		1	mA
Turn-On Time		0.2	ms
Turn-Off Time		0.8	ms
Off-State dv/dt	200		V/μs
Switching Frequency		500	Hz

THERMAL CURVES



ENVIRONMENTAL SPECIFICATION

	Min	Max	Units
Operating Temperature	-40	80	°C
Storage Temperature	-40	105	°C
Input-Output Isolation	2500		V _{rms}
Input-Output Capacity		8	pF

NOTES

- 1) Electrical specifications at 25°C unless otherwise specified
- 2) On inductive loads, a free-wheeling diode (or clamp) is recommended
- 3) For additional/custom options, contact factory.

X-ON Electronics

Largest Supplier of Electrical and Electronic Components

Click to view similar products for [Solid State Relays - Industrial Mount](#) category:

Click to view products by [Teledyne](#) manufacturer:

Other Similar products are found below :

[D2440-C](#) [H10CA4890](#) [D4875C](#) [D53TP50DH-10](#) [1395831-1](#) [1616010-6](#) [BR312BY](#) [A-1326](#) [H10CA4850](#) [H12CA4890VL](#) [RA2410-D06](#)
[RA2410HA06T](#) [D1202F](#) [D53TP50-10](#) [W230E-1-12](#) [W230T-3-12](#) [1-1617030-3](#) [1-1617033-7](#) [MS2-D2420](#) [MS2-D2430](#) [A-1440](#)
[RJ1P60V50E](#) [HS501DR-D2425](#) [RN1F48I50](#) [70.362.1028.0](#) [7-1393030-8](#) [Z5.509.0828.0](#) [G3DZ-4B DC24](#) [G3DZ-F4B DC12](#) [SSRDAC10](#)
[RV8S-L-A240-D24](#) [RV8S-L-A240-D6](#) [RV8S-S-A240-D24](#) [RV8S-S-A240-D6](#) [RV8S-S-A240Z-D24](#) [RV8S-S-D24-A240](#) [RV8S-S-D48-A120](#)
[RN1F12V50](#) [RJ1P60I30E](#) [RJ1P60V30E](#) [SO967860](#) [SMT8628521](#) [SO869970](#) [SOD867180](#) [SAL961360](#) [SO867970](#) [SOB863860](#)
[SOB867640](#) [SOB942360](#) [G3PH-5150B DC5-24](#)