

Part Number	Description
E3PT48D50	50A*, 520 Vac

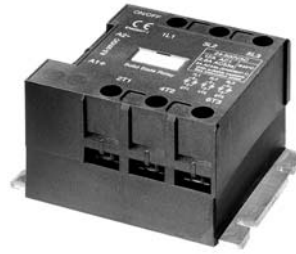
For RoHS Compliant Contact Factory

Part Number Explanation

E3PT	48	D	50	H
Series	Line Voltage ¹	Switch Type ²	Output Current – Amps	High Surge ³

NOTES

- 1) Line Voltage (nominal) 48 = 480 Vac
- 2) Switch Type: D = Zero-cross turn-on
- 3) H: High surge capability
- *Current limited to 50A due to terminals



FEATURES/BENEFITS

- Designed for all types of loads
- Tight zero-cross window
- Control LED on all models
- Internal output transient protection
- Touch-proof

DESCRIPTION

The Series E3PT three-phase solid-state relays are designed for all types of loads. The E3PT relays include as a standard a control LED for visual status. The E3PT series is touch-proof for user safety. An internal MOV and snubber circuit protect the output thyristor. The E3PT relays are highly immune to large current surges. The tight zero-cross window provides a low EMI level. The E3PT relays are an excellent choice for three-phase applications.

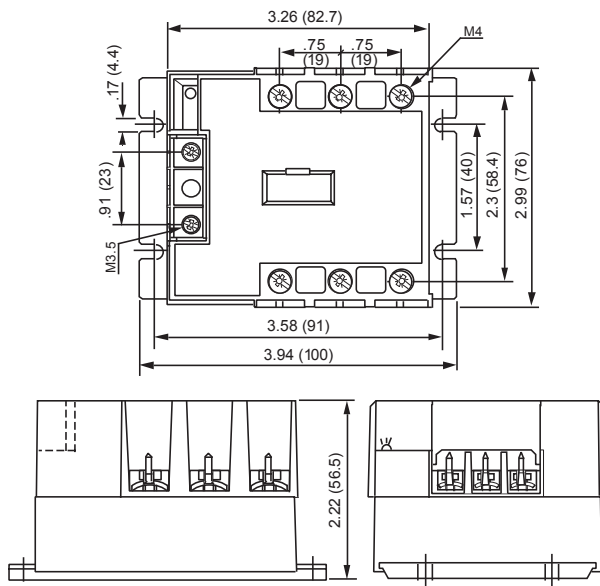
APPLICATIONS

- Heating control
- Motor control
- Three-phase industrial and process control

APPROVALS

Series E3PT relays are pending UL recognition.

MECHANICAL SPECIFICATION



WEIGHT: 14.46 oz. (410g)

Figure 1 — E3PT relays; dimensions in inches (mm)

TYPICAL APPLICATION

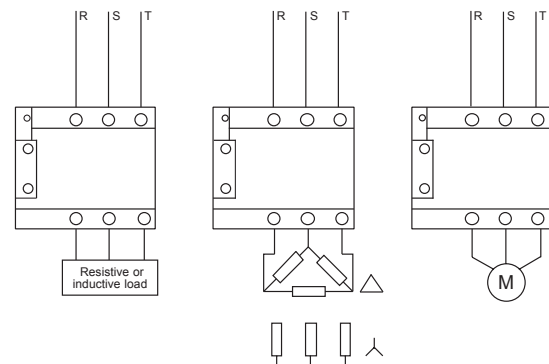


Figure 2 — E3PT typical application

INPUT (CONTROL) SPECIFICATION

Input Type	Min	Max	Units
Control Range	8.5	30	Vdc
Input Current Range	10	45	mA
Must Turn-Off Voltage		4	Vdc
Input Resistance (Typical)		620	Ohms
Reverse Voltage Protection		30	V

OUTPUT (LOAD) SPECIFICATION

	Min	Max	Units
Operating Range	24	520	Vrms
Peak Voltage		1200	Vpeak

Load Current Range (See Note 1)

E3PT48D50	.005	50*	A
E3PT48D50H	.005	50*	A

Maximum Surge Current Rating (Non-Repetitive)

E3PT48X50		1000	A
E3PT48X50H		2000	A

On-State Voltage Drop _____ 1.4 V

Zero-Cross Window (Typical) _____ ±12 V

Off-State Leakage Current (60 Hz) _____ 5 mA

Turn-On Time _____ 8.3 ms

Turn-Off Time _____ 8.3 ms

Off-State dv/dt _____ 500 V/μs

Maximum di/dt (Non-Repetitive) _____ 50 A/μs

Operating Frequency _____ 10 440 Hz

OUTPUT (LOAD) SPECIFICATION (continued)

	Min	Max	Units
I ² T for Match Fusing (<8.3ms)			
E3PT48X50		5,000	A ² s
E3PT48X50H		20,000	A ² s

Environmental Specification

Operating Temperature	-40	100	°C
Storage Temperature	-40	100	°C
Input-Output Isolation	4000		Vrms
Output-Case Isolation	3300		Vrms

NOTES

- 1) *Current limited to 50A due to terminals
- 2) Electrical Specifications at 25°C unless otherwise specified

CONTROL CHARACTERISTIC

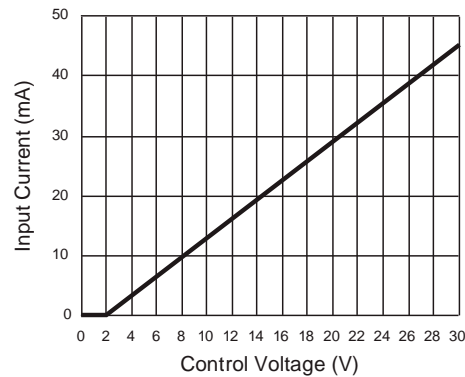


Figure 4a — E3PT48D

EQUIVALENT CIRCUIT

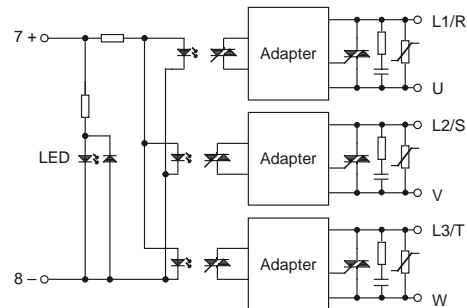


Figure 3b — E3PT48D

THERMAL CHARACTERISTICS

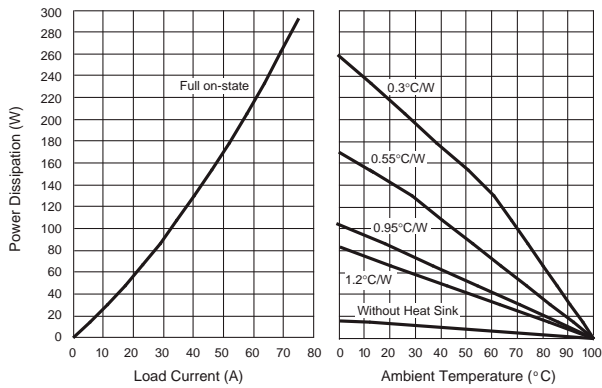


Figure 5b — E3PT48X50

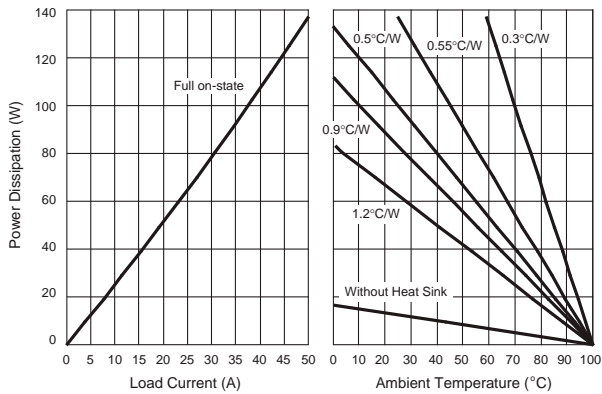


Figure 5c — E3PT48X50H

SURGE CURRENTS

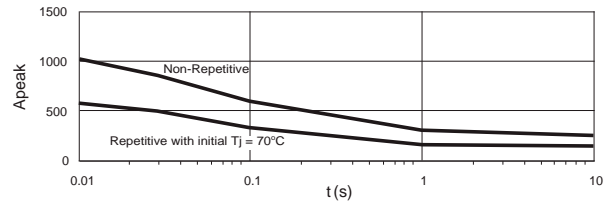


Figure 6b — E3PT48X50

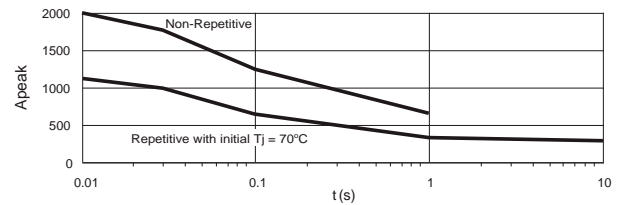


Figure 6c — E3PT48X50H

X-ON Electronics

Largest Supplier of Electrical and Electronic Components

Click to view similar products for [Solid State Relays - Industrial Mount](#) category:

Click to view products by [Teledyne](#) manufacturer:

Other Similar products are found below :

[D2440-C](#) [H10CA4890](#) [D4875C](#) [D53TP50DH-10](#) [1395831-1](#) [1616010-6](#) [BR312BY](#) [A-1326](#) [H10CA4850](#) [H12CA4890VL](#) [RA2410-D06](#)
[RA2410HA06T](#) [D1202F](#) [D53TP50-10](#) [W230E-1-12](#) [W230T-3-12](#) [1-1617030-3](#) [1-1617033-7](#) [MS2-D2420](#) [MS2-D2430](#) [A-1440](#)
[RJ1P60V50E](#) [HS501DR-D2425](#) [RN1F48I50](#) [70.362.1028.0](#) [7-1393030-8](#) [Z5.509.0828.0](#) [G3DZ-4B DC24](#) [G3DZ-F4B DC12](#) [SSRDAC10](#)
[RV8S-L-A240-D24](#) [RV8S-L-A240-D6](#) [RV8S-S-A240-D24](#) [RV8S-S-A240-D6](#) [RV8S-S-A240Z-D24](#) [RV8S-S-D24-A240](#) [RV8S-S-D48-A120](#)
[RN1F12V50](#) [RJ1P60I30E](#) [RJ1P60V30E](#) [SO967860](#) [SMT8628521](#) [SO869970](#) [SOD867180](#) [SAL961360](#) [SO867970](#) [SOB863860](#)
[SOB867640](#) [SOB942360](#) [G3PH-5150B DC5-24](#)