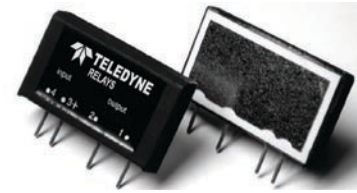


FEATURES/BENEFITS

- Slim compact design
- Heatsinking capabilities
- Integrated voltage protection
- High surge handling capability
- MOSFET output



Part Number Description

LS60DC10C-21 10A, 36 Vdc

LS60DC10F-21 10A, 36 Vdc

Part Number Explanation

LS **60** **DC** **10** **C** **-21**
 Series Peak Voltage¹ Switch Type² Output Current – Amps Control Range³ Feature⁴

NOTES

- 1) Peak Voltage (peak): 60 = 60 Vdc
- 2) Switch Type: DC = Random turn-on (DC)
- 3) Control Range: C = 3–10 Vdc; F = 7–30 Vdc
- 4) Feature: -21 = self turn-on voltage protection (transil)

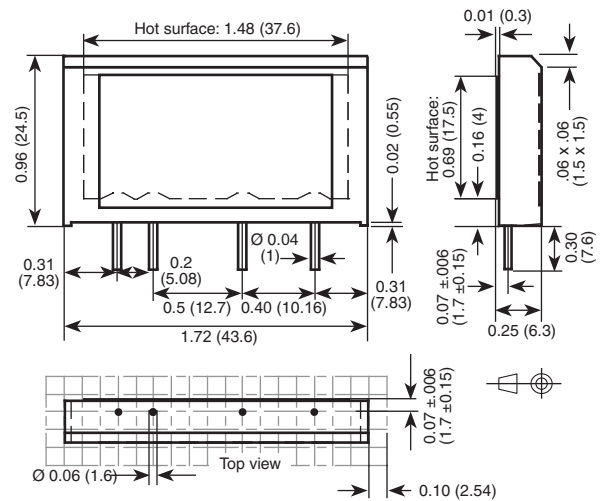
ELECTRICAL SPECIFICATIONS

(+20°C ambient temperature unless otherwise specified)

INPUT (CONTROL) SPECIFICATIONS

| | Min | Max | Units |
|-----------------------------------|-----|------|-------|
| Control Range | | | |
| LS60DC10C | 3 | 10 | Vdc |
| LS60DC10F | 7 | 30 | Vdc |
| Input Current Range | | | |
| LS60DC10C | 7 | 32 | mA |
| LS60DC10F | 6 | 29 | mA |
| Must Turn-Off Voltage | | | |
| All relays | 1 | | Vdc |
| Input Resistance (Typical) | | | |
| LS60DC10C | | 270 | Ohms |
| LS60DC10F | | 1000 | Ohms |

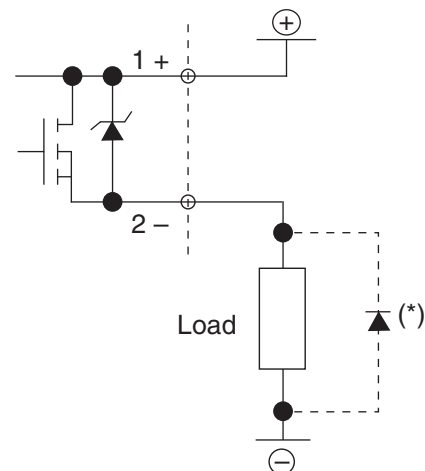
MECHANICAL SPECIFICATION



Tolerances: ±0.007 (±0.2)
Weight: 0.53 oz. (15g)
Dimensions in inches (millimeters)

Figure 1

BLOCK DIAGRAM



*On inductive loads = Suppressed diode

Figure 2

ELECTRICAL SPECIFICATIONS

(+20°C ambient temperature unless otherwise specified)

OUTPUT (LOAD) SPECIFICATIONS

| | Min | Max | Units |
|-------------------------------------|-------|-------------|-------|
| Operating Range | 7 | 36 | Vdc |
| Peak Voltage | | 60 | Vpeak |
| Output Current Range | .0001 | 10 | A |
| Clamping Voltage by Transil | | 40V@1mA | V |
| | | 58.1V@10.3A | V |
| Maximum Energy for Transil 1ms | | 600 | W |
| Maximum Power for Transil | | 0.5 | W |
| Maximum Surge Current Rating (10ms) | | 100 | A |
| On-State Resistance (Rds-ON) | | 20 | mOhms |
| On-State Voltage Drop | | 0.2 | V |
| Off-State Leakage Current | | 0.1 | mA |
| Turn-On Time | | 10 | µs |
| Turn-Off Time | | 150 | µs |
| Operating Frequency Range | | ** | Hz |

** For switching frequencies greater than 1Hz, you may need to reduce the current. For more information, contact our technical department.

GENERAL SPECIFICATIONS

(+20°C ambient temperature unless otherwise specified)

ENVIRONMENTAL SPECIFICATIONS

| | Min | Max | Units |
|-------------------------------|------|------|-------|
| Operating Temperature | -40 | +80 | °C |
| Storage Temperature | -40 | +120 | °C |
| Input-Output Isolation | 2500 | | Vrms |
| Input, Output, Case Isolation | 2500 | | Vrms |
| Rated Impulse Voltage | 2500 | | V |

BLOCK DIAGRAM

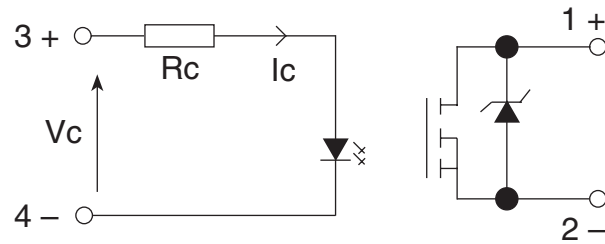


Figure 3

THERMAL CHARACTERISTICS

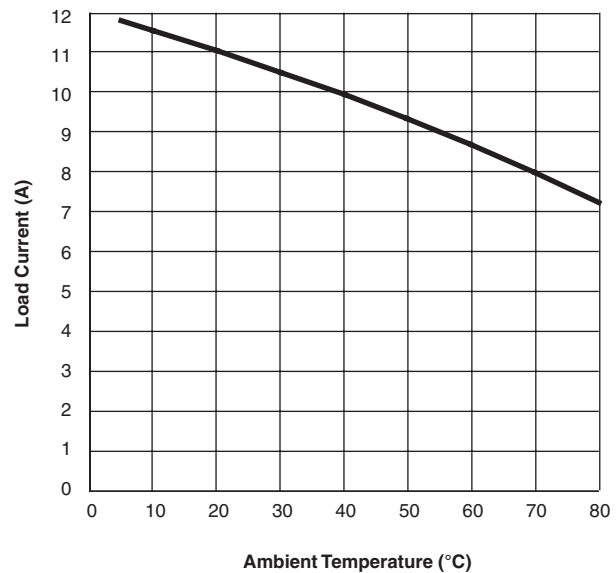


Figure 4

X-ON Electronics

Largest Supplier of Electrical and Electronic Components

Click to view similar products for [Solid State Relays - PCB Mount](#) category:

Click to view products by [Teledyne](#) manufacturer:

Other Similar products are found below :

[M86F-2W](#) [M90F-2Y](#) [G2-1A07-ST](#) [G2-1A07-TT](#) [G2-1B02-TT](#) [G2-DA06-ST](#) [923812OCAS](#) [PLA134S](#) [DS11-1005](#) [AQH3213J](#) [AQV212J](#)
[AQY412EHAJ](#) [EFR1200480A150](#) [901-7](#) [LCA220](#) [LCB110S](#) [1618400-5](#) [SR75-1ST](#) [AQH2213AJ](#) [AQV112KLJ](#) [AQV212AJ](#) [AQV212SXJ](#)
[AQV238AD01](#) [AQW414TS](#) [AQY221N2SYD01](#) [AQY221R2VJ](#) [AQY275AXJ](#) [AQY414SXE01](#) [G2-1A02-ST](#) [G2-1A03-ST](#) [G2-1A03-TT](#)
[G2-1A05-ST](#) [G2-1A06-TT](#) [G2-1A23-TT](#) [G2-1B01-ST](#) [G2-1B01-TT](#) [G2-1B02-ST](#) [G2-DA03-ST](#) [G2-DA03-TT](#) [G2-DA06-TT](#) [CPC1333GR](#)
[3-1617776-2](#) [CTA2425](#) [TLP3131\(F\)](#) [LBA110S](#) [LBB110S](#) [LCA110LSTR](#) [LCB126S](#) [WPPM-0626D](#) [WPPM-3526D](#)