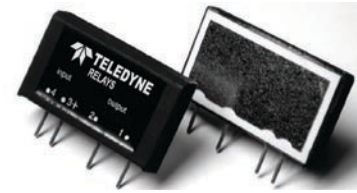


FEATURES/BENEFITS

- Slim compact design
- Heatsinking capabilities
- Integrated voltage protection
- High surge handling capability
- MOSFET output



Part Number	Description
LS60DC10C-21	10A, 36 Vdc
LS60DC10F-21	10A, 36 Vdc

Part Number Explanation

LS	60	DC	10	C	-21
Series	Peak Voltage ¹	Switch Type ²	Output Current – Amps	Control Range ³	Feature ⁴

NOTES

- 1) Peak Voltage (peak): 60 = 60 Vdc
- 2) Switch Type: DC = Random turn-on (DC)
- 3) Control Range: C = 3–10 Vdc; F = 7–30 Vdc
- 4) Feature: -21 = self turn-on voltage protection (transil)

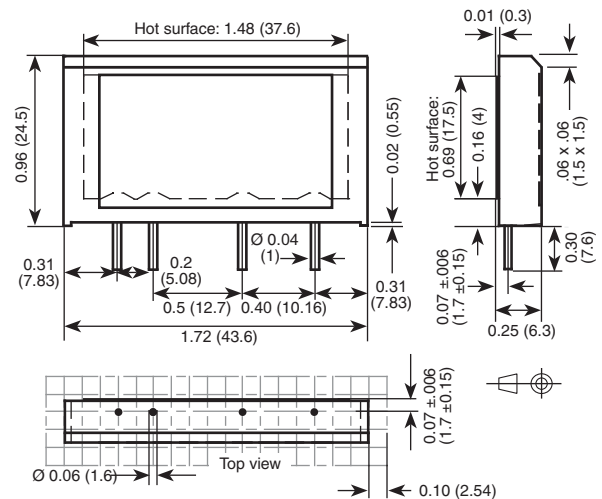
ELECTRICAL SPECIFICATIONS

(+20°C ambient temperature unless otherwise specified)

INPUT (CONTROL) SPECIFICATIONS

	Min	Max	Units
Control Range			
LS60DC10C	3	10	Vdc
LS60DC10F	7	30	Vdc
Input Current Range			
LS60DC10C	7	32	mA
LS60DC10F	6	29	mA
Must Turn-Off Voltage			
All relays	1		Vdc
Input Resistance (Typical)			
LS60DC10C		270	Ohms
LS60DC10F		1000	Ohms

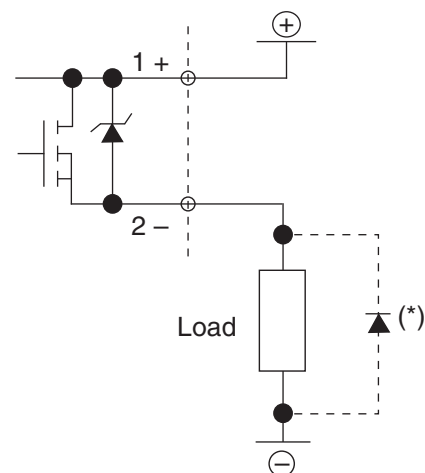
MECHANICAL SPECIFICATION



Tolerances: ±0.007 (±0.2)
Weight: 0.53 oz. (15g)
Dimensions in inches (millimeters)

Figure 1

BLOCK DIAGRAM



*On inductive loads = Suppressed diode

Figure 2

ELECTRICAL SPECIFICATIONS

(+20°C ambient temperature unless otherwise specified)

OUTPUT (LOAD) SPECIFICATIONS

	Min	Max	Units
Operating Range	7	36	Vdc
Peak Voltage		60	Vpeak
Output Current Range	.0001	10	A
Clamping Voltage by Transil		40V@1mA	V
		58.1V@10.3A	V
Maximum Energy for Transil 1ms		600	W
Maximum Power for Transil		0.5	W
Maximum Surge Current Rating (10ms)		100	A
On-State Resistance (Rds-ON)		20	mOhms
On-State Voltage Drop		0.2	V
Off-State Leakage Current		0.1	mA
Turn-On Time		10	µs
Turn-Off Time		150	µs
Operating Frequency Range		**	Hz

** For switching frequencies greater than 1Hz, you may need to reduce the current. For more information, contact our technical department.

GENERAL SPECIFICATIONS

(+20°C ambient temperature unless otherwise specified)

ENVIRONMENTAL SPECIFICATIONS

	Min	Max	Units
Operating Temperature	-40	+80	°C
Storage Temperature	-40	+120	°C
Input-Output Isolation	2500		Vrms
Input, Output, Case Isolation	2500		Vrms
Rated Impulse Voltage	2500		V

BLOCK DIAGRAM

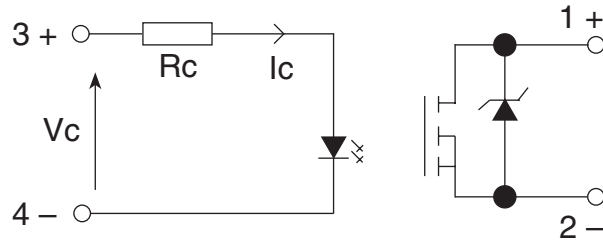


Figure 3

THERMAL CHARACTERISTICS

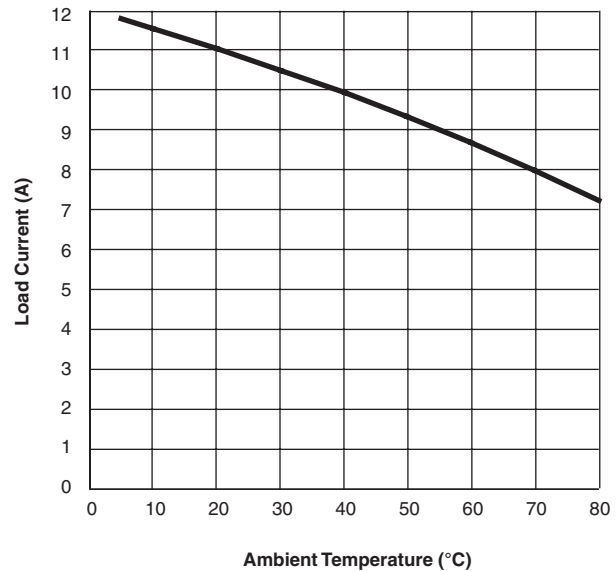


Figure 4

X-ON Electronics

Largest Supplier of Electrical and Electronic Components

Click to view similar products for [Solid State Relays - PCB Mount](#) category:

Click to view products by [Teledyne](#) manufacturer:

Other Similar products are found below :

[M86F-2W](#) [G2-1A07-ST](#) [G2-1A07-TT](#) [G2-1B02-TT](#) [G2-DA06-ST](#) [G3CN-202PL-3-US DC12](#) [G3CN-203P DC3-28](#) [G3RDX02SNUSDC12](#)
[PLA134S](#) [DMP6202A](#) [DS11-1005](#) [AQ3A2-ZT432VDC](#) [AQV112KLAXJ](#) [AQV212J](#) [AQV214SD02](#) [AQV252GAJ](#) [AQW414EA](#)
[AQY212SXT](#) [AQY221N2SJ](#) [AQY221R2SJ](#) [EFR1200480A150](#) [LCA220](#) [LCB110S](#) [1618400-5](#) [SR75-1ST](#) [AQV212AJ](#) [AQV238AD01](#)
[AQW414TS](#) [AQY210SXT](#) [AQY212ST](#) [AQY214SXT](#) [AQY221N2V1YJ](#) [AQY221N3VJ](#) [AQY275AXJ](#) [G2-1A02-ST](#) [G2-1A02-TT](#) [G2-](#)
[1A03-ST](#) [G2-1A03-TT](#) [G2-1A05-ST](#) [G2-1A06-TT](#) [G2-1A23-TT](#) [G2-1B01-ST](#) [G2-1B01-TT](#) [G2-1B02-ST](#) [G2-DA03-ST](#) [G2-DA03-TT](#) [G2-](#)
[DA06-TT](#) [G3M-203PL-UTU-1 DC24](#) [CPC2330N](#) [3-1617776-2](#)