



**TELEDYNE
RELAYS**

A Teledyne Technologies Company

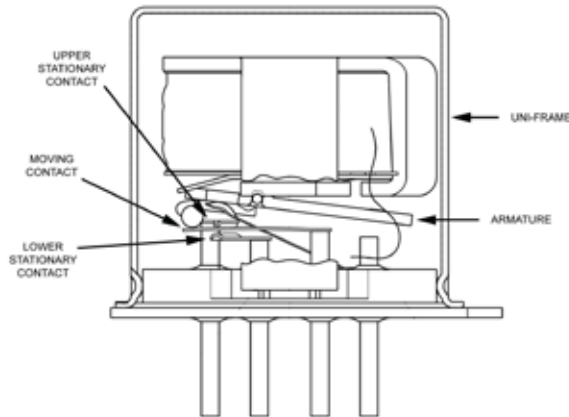


**HIGH REPEATABILITY
8 GHz
TO-5 RELAYS
SIGNAL INTEGRITY
TO 12Gbps
DPDT**

**SERIES
RF312**

| SERIES DESIGNATION | RELAY TYPE |
|--------------------|---------------------------|
| RF312 | Repeatable, RF TO-5 relay |

INTERNAL CONSTRUCTION



| ENVIRONMENTAL AND PHYSICAL SPECIFICATIONS | | |
|---|------------------|--------------------------|
| Temperature (Ambient) | Storage | -65°C to +125°C |
| | Operating | -55°C to +85°C |
| Vibration (General Note 1) | | 10 g's to 500 Hz |
| Shock (General Note 1) | | 30 g's, 6ms half sine |
| Enclosure | | Hermetically sealed |
| Weight | | 0.09 oz. (2.55g) max. |

PERFORMANCE FEATURES

The ultra miniature RF312 is designed to improve upon the RF300/RF303 relay's high frequency performance. The RF312 offers monotonic insertion loss to 8 GHz. This improvement in RF insertion loss over the frequency range, makes these relays highly suitable for use in attenuator and other RF circuits. The RF312 features:

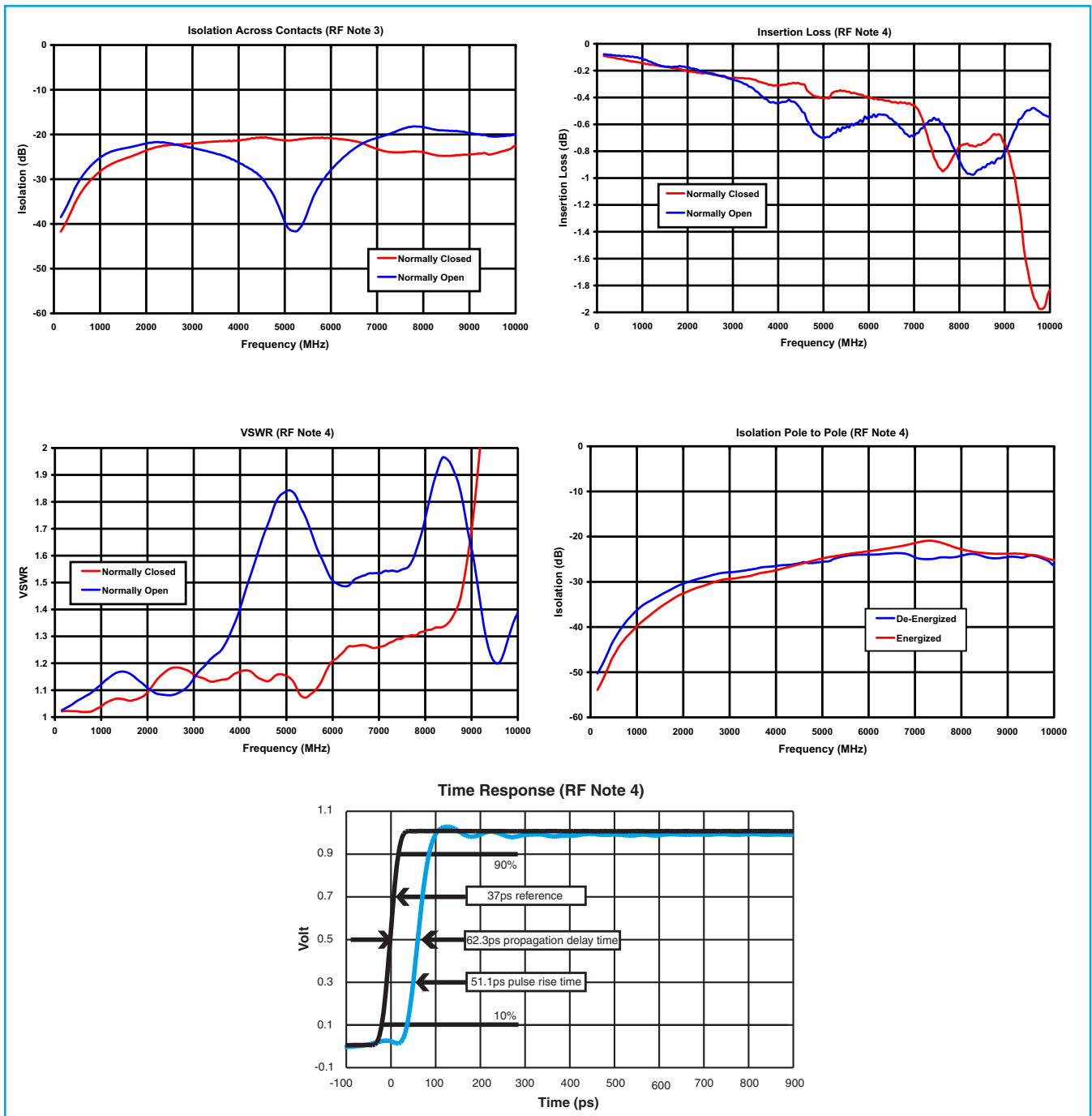
- High repeatability.
- Broader bandwidth.
- Metal enclosure for EMI shielding.
- Ground pin option to improve case grounding.
- High isolation between control and signal paths.
- Highly resistant to ESD.

CONSTRUCTION FEATURES

The following unique construction features and manufacturing techniques provide excellent resistance to environmental extremes and overall high reliability.

- Uni-frame motor design provides high magnetic efficiency and mechanical rigidity.
- Minimum mass components and welded construction provide maximum resistance to shock and vibration.
- Advanced cleaning techniques provide maximum assurance of internal cleanliness.
- Gold-plated precious metal alloy contacts ensure reliable switching.
- Hermetically sealed.
- Solderable leads.

SERIES RF312
TYPICAL RF CHARACTERISTICS (See RF Notes)



RF NOTES

1. Test conditions:
 - a. Fixture: .031" copper clad, reinforced PTFE, RT/duroid® 6002 with SMA connectors. (RT/duroid® is a registered trademark of Rogers Corporation.)
 - b. Relay header is in contact with, but not soldered to ground plane.
 - c. Room ambient temperature.
 - d. Terminals not tested were terminated with 50-ohm load.
 - e. Contact signal level: -10 dBm.
 - f. No. of test samples: 4.
2. Data presented herein represents typical characteristics and is not intended for use as specification limits.
3. Data is the average from readings taken on all open contacts.
4. Data is the average from readings taken on all closed contacts.
5. Test fixture effect de-embedded from frequency and time response data.
6. For enhanced RF performance solder the entire perimeter of header to the ground plane. Soldering only a partial amount of the header perimeter may result in reduced RF performance.

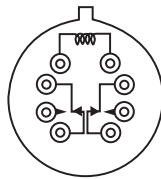
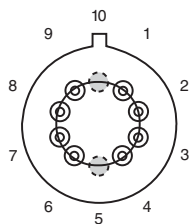
SERIES RF312
GENERAL ELECTRICAL SPECIFICATIONS (@25°C unless otherwise noted)

| | |
|---------------------------------|--|
| Contact Arrangement | 2 Form C (DPDT) |
| Rated Duty | Continuous |
| Contact Resistance | 0.15 Ω max. initial (measured 1/8" from the header) |
| Contact Load Rating | Resistive: 1Amp/28Vdc Low level: 10 to 50 μA, 10 to 50 mV |
| Contact Life Ratings | 10,000,000 cycles (typical) at low level |
| Coil Operating Power | 450 mW typical @ nominal rated voltage |
| Operate Time | 4.0 mS max. |
| Release Time | 3.0 mS max. |
| Intercontact Capacitance | 0.4 pF typical |
| Insulation Resistance | 1,000 MΩ min. between mutually isolated terminals |
| Dielectric Strength | 350 Vrms (60 Hz) @ atmospheric pressure |

DETAILED ELECTRICAL SPECIFICATIONS (@25°C)

| BASE PART NUMBERS | RF312-5 | RF312-12 |
|------------------------------------|---------|----------|
| Coil Voltage, Nominal (Vdc) | 5.0 | 12.0 |
| Coil Resistance (Ohms ±20%) | 50 | 390 |
| Pick-up Voltage (Vdc max.) | 3.6 | 9.0 |

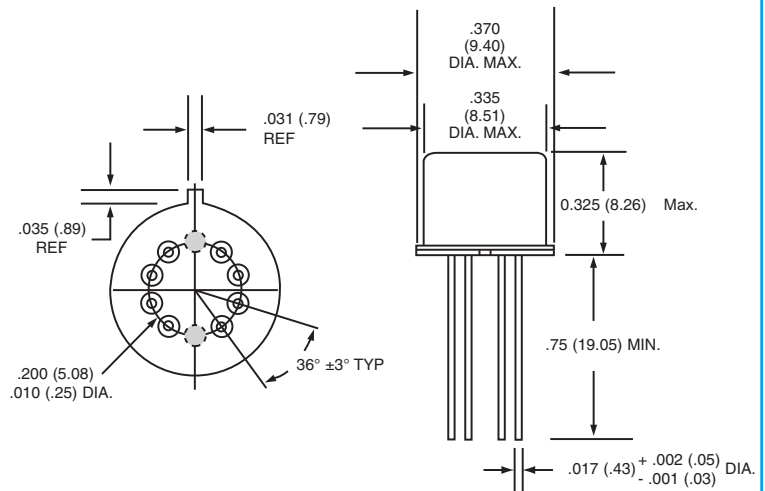
OUTLINE DIMENSIONS



TERMINAL NUMBERING SCHEMATIC

- HEADER DIMENSIONS, TERMINAL NUMBERING AND SCHEMATIC ARE AS VIEWED FROM THE TERMINALS.
- DIMENSIONS ARE IN INCHES (MILLIMETERS).
- POSITIONS 5 AND 10 ARE FOR UNINSULATED CASE GROUND OPTIONS.
- TO ORDER THE CASE GROUND OPTION, AFTER THE SERIES DESIGNATOR, ADD "Y" TO THE PART NUMBER FOR POSITION 5 OR "Z" TO THE PART NUMBER FOR POSITION 10.

EXAMPLE: RF312Y-COIL VOLTAGE

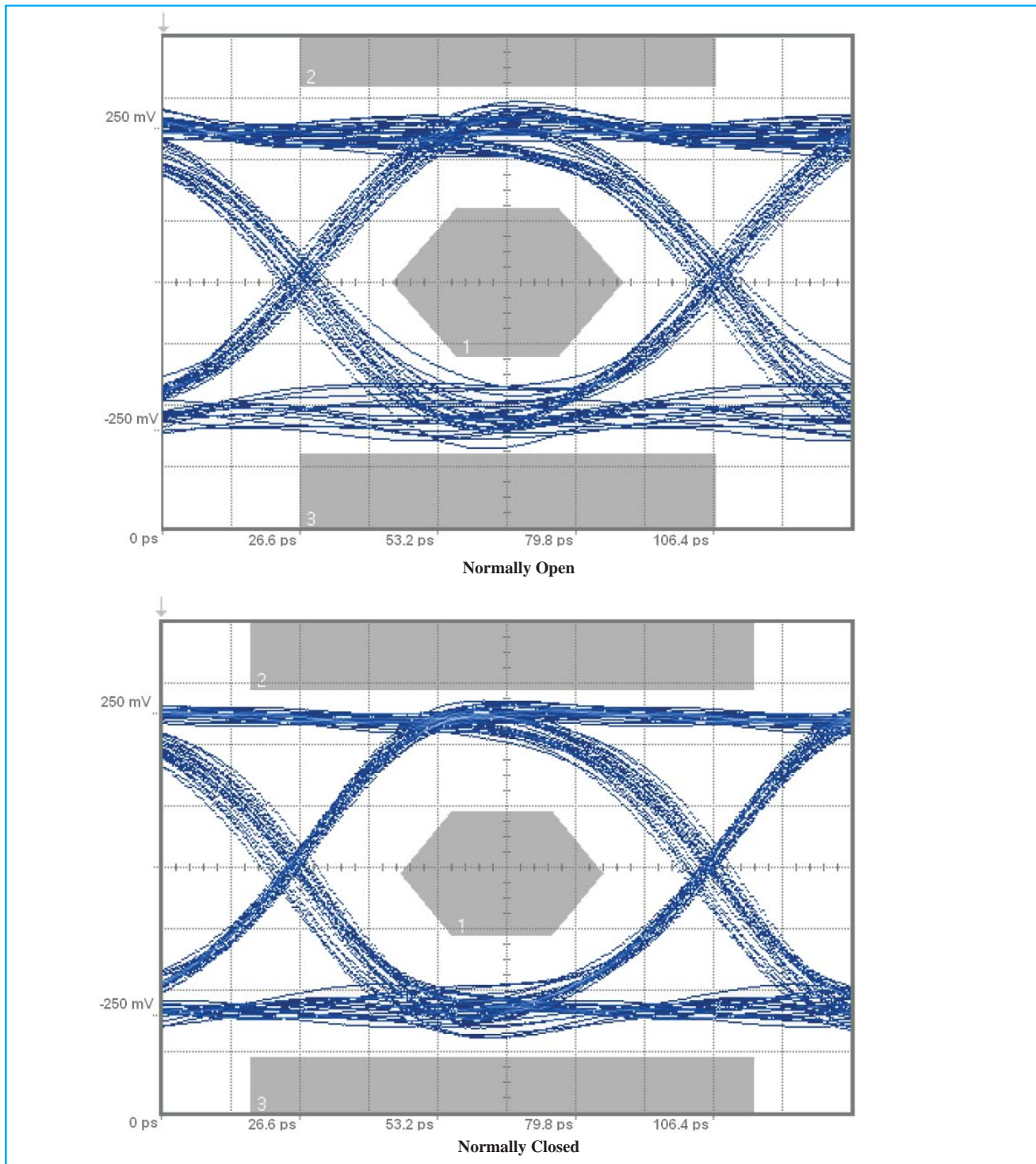


EXTERNAL DIMENSIONS
 Shown in Inches (millimeters)

GENERAL NOTES

1. Relays will exhibit no contact chatter in excess of 10 μsec or transfer in excess of 1 μsec.

**SERIES RF312
TYPICAL SIGNAL INTEGRITY CHARACTERISTICS**



PATTERN GENERATOR SETTINGS

- 12.5 Gbps Random Pulse Pattern Generator
- $2^{31} - 1$ PRBS signal
- Data Amplitude of 500 mV_{pp}
- RF PCB effect (negligible) not removed from measurement.

X-ON Electronics

Largest Supplier of Electrical and Electronic Components

Click to view similar products for [High Frequency / RF Relays](#) category:

Click to view products by [Teledyne](#) manufacturer:

Other Similar products are found below :

[134M4-26](#) [134YZM4-12](#) [136CM9-5](#) [ER136CZM9-5B](#) [ER412DYM-12B](#) [ARA200A4HM01](#) [3SBH1020A2](#) [400-192-10](#) [412TM-18](#)
[ARN12A12](#) [422DM-26](#) [411T-12](#) [LB363-100-5](#) [D3210](#) [ARN10A12](#) [ER116C-26A](#) [ER114ZM4-5A/SQ](#) [ER114ZM4-12A/SQ](#) [ER412-26B/Q](#)
[ER134DYZ-12A](#) [36 AT5](#) [25-200ZA](#) [36 T5](#) [48-000ZA](#) [27 T5](#) [24-200ZA](#) [27 T5](#) [26-200ZA](#) [27 T5](#) [28-200ZA](#) [ER411DM4-12A/SQ](#)
[732-5/Q](#) [R591362640](#) [R591723400](#) [R595867120](#) [HF3 02](#) [R594873417](#) [R595863115](#) [IM43TS](#) [IMB03CTS](#) [732TN-26](#) [1-1462038-1](#)
[IMB06CTS](#) [1462051-5](#) [1462050-1](#) [1462050-2](#) [G6K-2F-RF-S-DC5](#) [ARE10A4H](#) [ARE1024](#) [ARS1012](#) [ARJ22A12](#) [ARS104H](#) [FTR-](#)
[B3GA4.5Z-B10](#) [FTR-B3CA024Z](#) [1-1462039-7](#)