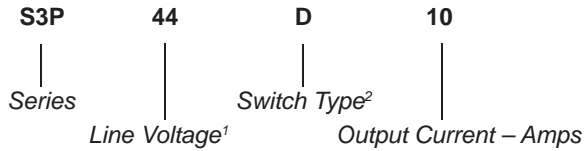


Part Number	Description
S3P44D10	10A, 440 Vac

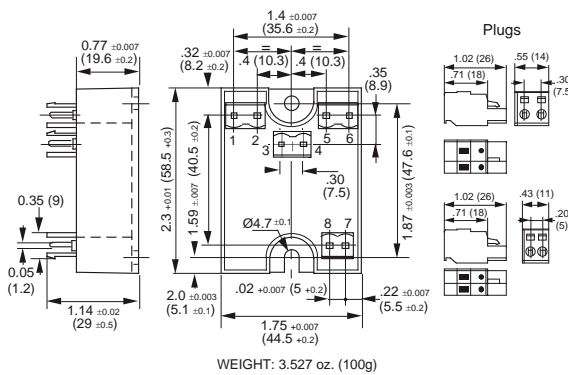
**Part Number Explanation**



**NOTES**

- 1) Line Voltage (maximum) 44 = 440 Vac
- 2) Switch Type: D = Zero-cross turn-on

**MECHANICAL SPECIFICATION**



**FEATURES/BENEFITS**

- Industry-standard hockey-puck package
- Spring connectors
- Three relays in a single package
- Zero-cross and random turn-on options
- Common control for all three relays

**DESCRIPTION**

The Series S3P relays are made up of three separate relays controlled by a common DC voltage control. They are designed to control 10A AC loads such as resistors and small motors on a mains from 12 to 440 Vac, either single- or three-phase. They are well suited for applications requiring compact size and low cost.

**APPLICATIONS**

- Heaters
- Motors
- Lighting

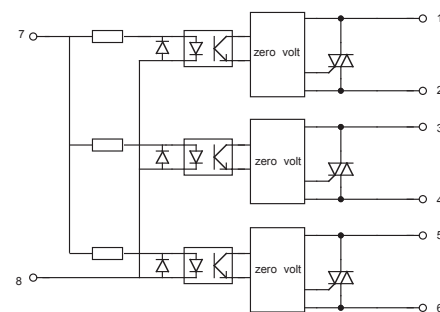
**APPROVALS**

UL is pending.

**INPUT (CONTROL) SPECIFICATION**

	Min	Max	Units
Control Range	4	30	Vdc
Input Current Range	3	90	mA
Must Turn-Off Voltage		0.8	V
Input Resistance (Typical)		330	Ohms
Reverse Voltage		30	V

**BLOCK DIAGRAM**



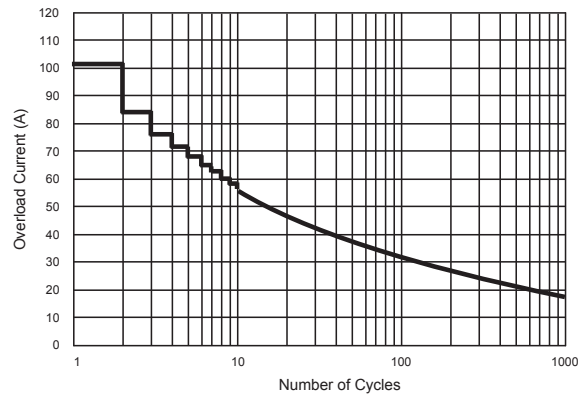
**OUTPUT (LOAD) SPECIFICATION**

	Min	Max	Units
Operating Range	12	440	Vrms
Peak Voltage		850	Vpeak
Load Current Range	.05	10	Arms
Maximum Surge Current Rating (Non-Repetitive) (See Figure 5)		120	Apeak
On-State Voltage Drop		1.6	V
Synchronizing Level		±10	V
Off-State Leakage Current		0.3	mArms
Turn-On Time		8.3	ms
Turn-Off Time		8.3	ms
Off-State dv/dt		500	V/μs
Maximum di/dt (Non-Repetitive)		20	A/μs
Operating Frequency	10	440	Hz
I <sup>2</sup> T for matching fuse (<8.3ms)		72	A <sup>2</sup> S
Junction-Case Thermal Resistance		2.1	°C/W
Junction-ambient Thermal Resistance		11.2	°C/W

**ENVIRONMENTAL SPECIFICATION**

	Min	Max	Units
Operating Temperature	-40	100	°C
Storage Temperature	-40	100	°C
Input-Output Isolation	4000		Vrms
Output-Case Isolation	2500		Vrms

**SURGE CURRENT**



**THERMAL CHARACTERISTICS**

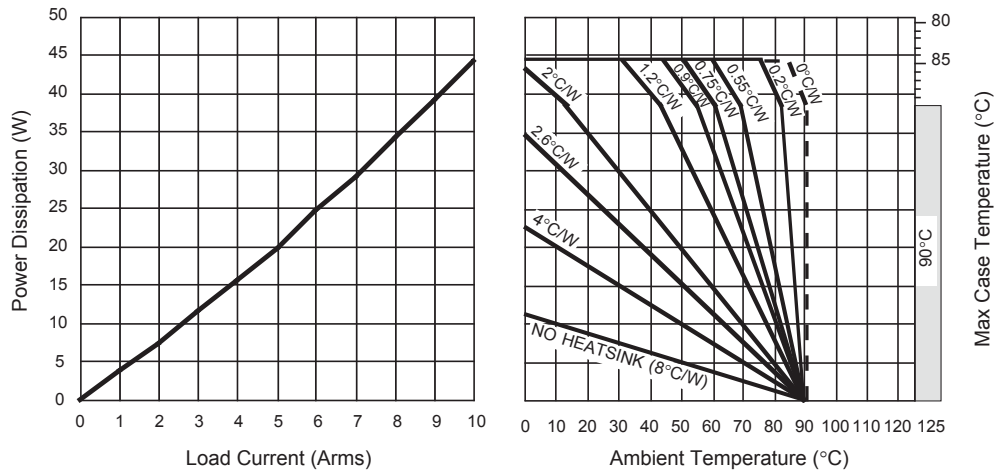


Figure 4 — Current derating curves

**Notes:**

1. Electrical specifications at 25°C unless otherwise specified.
2. An external MOV is recommended for transient voltage protection.
3. For additional/custom options, contact factory.

## X-ON Electronics

Largest Supplier of Electrical and Electronic Components

*Click to view similar products for [Solid State Relays - Industrial Mount](#) category:*

*Click to view products by [Teledyne](#) manufacturer:*

Other Similar products are found below :

[D2440-C](#) [H10CA4890](#) [D4875C](#) [D53TP50DH-10](#) [1395831-1](#) [1616010-6](#) [BR312BY](#) [A-1326](#) [H10CA4850](#) [H12CA4890VL](#) [RA2410-D06](#)  
[RA2410HA06T](#) [D1202F](#) [D53TP50-10](#) [W230E-1-12](#) [W230T-3-12](#) [1-1617030-3](#) [1-1617033-7](#) [MS2-D2420](#) [MS2-D2430](#) [A-1440](#)  
[RJ1P60V50E](#) [HS501DR-D2425](#) [RN1F48I50](#) [70.362.1028.0](#) [7-1393030-8](#) [Z5.509.0828.0](#) [G3DZ-4B DC24](#) [G3DZ-F4B DC12](#) [SSRDAC10](#)  
[RV8S-L-A240-D24](#) [RV8S-L-A240-D6](#) [RV8S-S-A240-D24](#) [RV8S-S-A240-D6](#) [RV8S-S-A240Z-D24](#) [RV8S-S-D24-A240](#) [RV8S-S-D48-A120](#)  
[RN1F12V50](#) [RJ1P60I30E](#) [RJ1P60V30E](#) [SO967860](#) [SMT8628521](#) [SO869970](#) [SOD867180](#) [SAL961360](#) [SO867970](#) [SOB863860](#)  
[SOB867640](#) [SOB942360](#) [G3PH-5150B DC5-24](#)