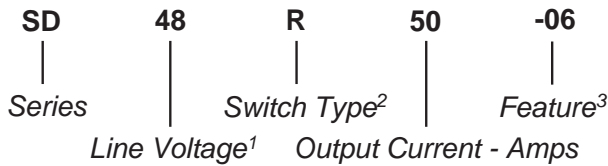


Part Number	Description
SD24R50	12-280 Vac
SD24D40-06	12-280 Vac
SD24D50-06	12-280 Vac
SD48D40-06	12-280 Vac
SD48D50A	24-600 Vac
SD48D50A2	24-600 Vac



For RoHS compliant contact factory

Part Number Explanation



NOTES

- 1) Line Voltage (nominal): 24 = 240 Vac; 48 = 480 Vac
- 2) Switch Type: R = Random turn-on; D = Zero-cross turn-on;
- 3) Features: -06 = Faston terminals
 A = Common control adapter
 A2 = Individual control adapter

INPUT (CONTROL) SPECIFICATION

	Min	Max	Units
Control Range			
SD24	4	30	Vdc
SD48	5	30	Vdc
SD48D50XX	10	30	Vdc
Input Current Range			
	3		mA
Must Turn-Off Voltage			
	1		Vdc
Input Resistance (Typical)			
SD24		1000	Ohms
SD48		1000	Ohms
SD48D50A		1400	Ohms
SD48D50A2		1800	Ohms
Reverse Voltage Protection			
		30	V

FEATURES/BENEFITS

- Designed for all types of loads
- Dual output (two relays in one package)
- Faston terminals
- Connector for common or individual control
- Tight zero-cross window for low EMI
- High immunity to surges

DESCRIPTION

The Series SD dual-phase relays are designed for all types of loads. The design incorporates two relays in a single package. The relays utilize optical isolation to protect the control from load transients. High-current models are excellent for motor and phase angle control. The 50A 600 Vac models are available with common control connector or individual control connector. Applications include motor control, heating control, uninterruptible power supplies, light dimmers, industrial and process control, and on/off controls of AC equipment.

APPROVALS

All models are UL recognized.
UL File Number: E128555.

BLOCK DIAGRAM

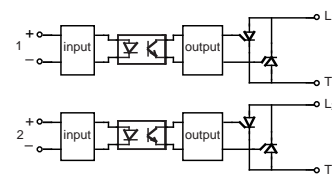


Figure 1a — All SD relays

MECHANICAL SPECIFICATION

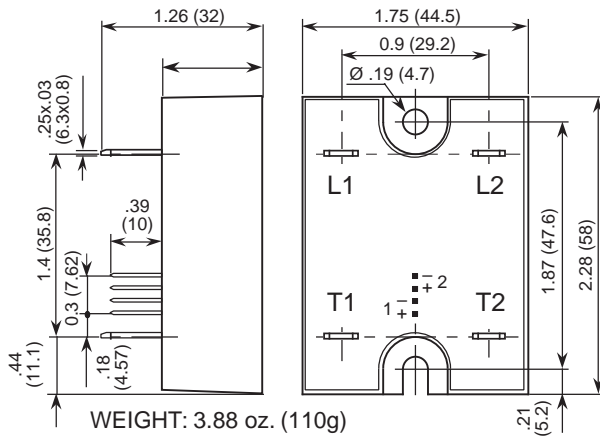


Figure 2a — SD24D50-06; dimensions in inches (mm)

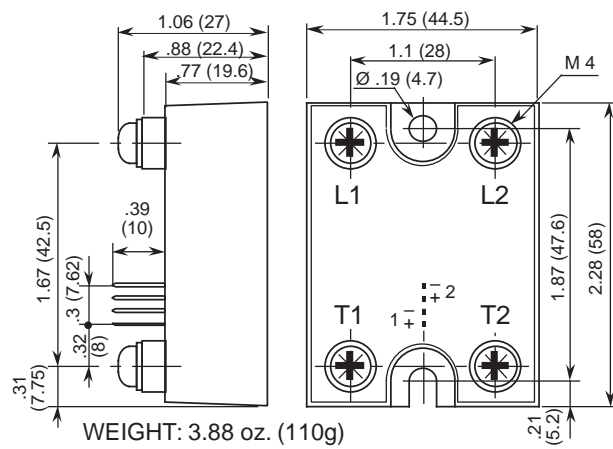


Figure 2b — SD24R50; dimensions in inches (mm)

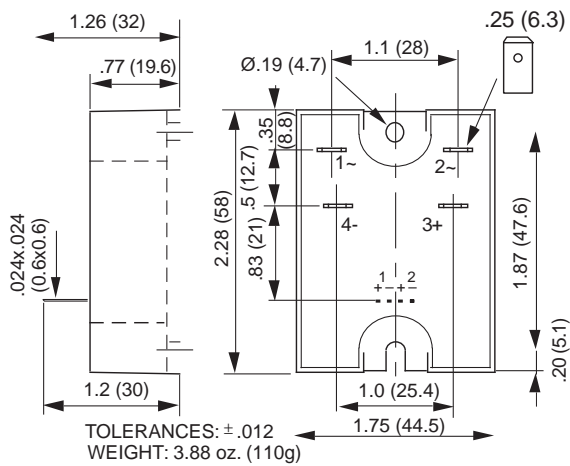


Figure 2c — SD24D40-06; dimensions in inches (mm)

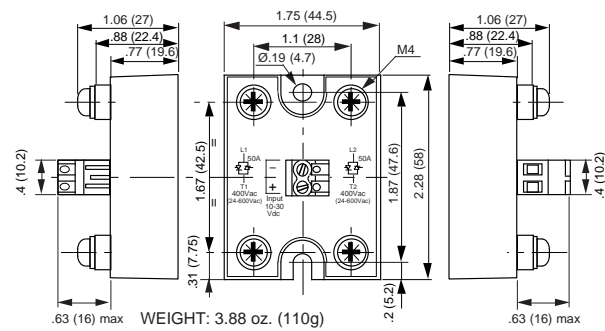


Figure 2d — SD48D50A; dimensions in inches (mm)

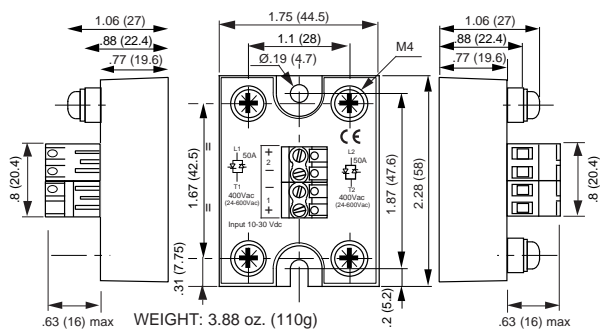


Figure 2e — SD48D50A2; dimensions in inches (mm)

TYPICAL APPLICATION

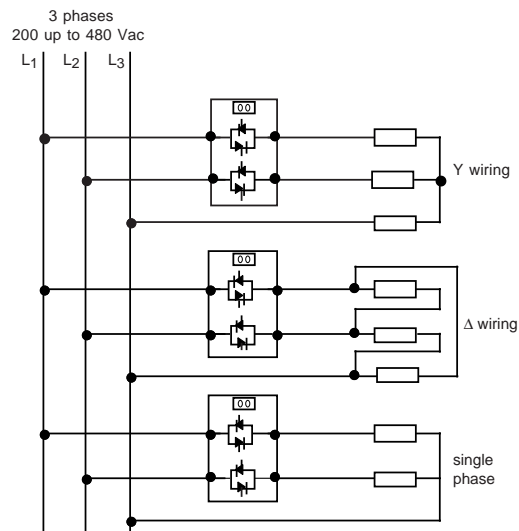


Figure 3 — SD48D50A

OUTPUT (LOAD) SPECIFICATION

Input Type	Min	Max	Units
Operating Range			
SD24 R/D	12	280	Vrms
SD48	24	510	Vrms
SD48D50XX	24	600	Vrms
Peak Voltage			
SD24		600	Vpeak
SD48		1200	Vpeak
Load Current Range (Resistive)			
SD24D40-06	.005	40	Arms
All other relays	.005	50	Arms
Maximum Surge Current Rating (Non-Repetitive)			
SD24D40-06		350	A
All other relays		550	A
On-State Voltage Drop			
		1.6	V
Zero-Cross Window			
SD	R	NA	
SD	D/A	±12	Vac
Off-State Leakage Current (60Hz)			
		2.5	mA
Turn-On Time (60 Hz)			
SD24	R	0.1	ms
All other relays		8.3	ms
Turn-Off Time (60 Hz)			
		8.3	ms
Off-State dv/dt			
		500	V/μs
Maximum di/dt (Non-Repetitive)			
		50	A/μs
Operating Frequency Range			
	10	440	Hz
I²t for Match Fusing (<8.3ms)			
SD24D40-06		612	A²S
All other relays		1500	A²S

CONTROL CHARACTERISTICS

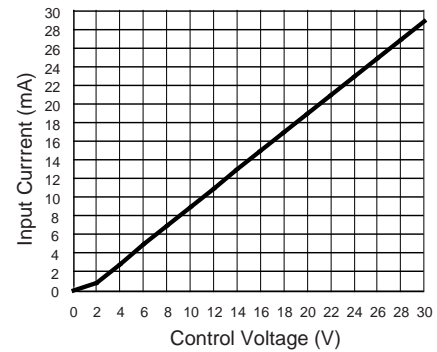


Figure 4a — SD24

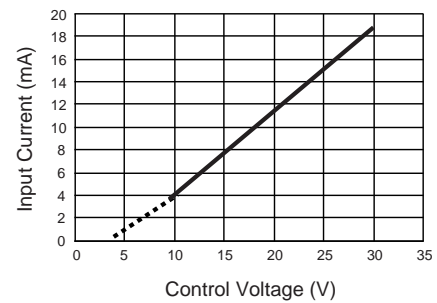


Figure 4b — SD48D50A relay

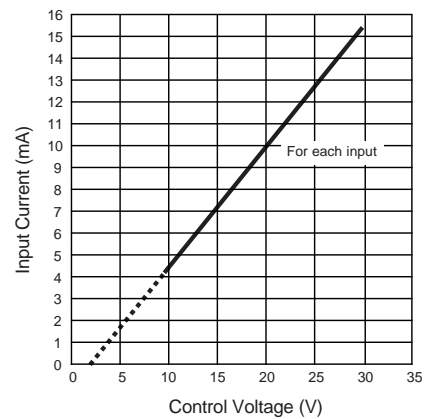


Figure 4c — SD48D50A2 relay

ENVIRONMENTAL SPECIFICATION

	Min	Max	Units
Operating Temperature	-40	100	°C
Storage Temperature	-40	100	°C
Input-Output Isolation			
SD24D40-06	4000		Vrms
All other relays	3300		Vrms
Output-Case Isolation			
SD24D40-06	2500		Vrms
All other relays	3300		Vrms
Output to Output			
SD48D50XX	3300		Vrms
All other relays	2500		Vrms
Junction-Case Thermal Resistance			
SD24D40-06		1.1	°C/W
All other relays		0.5	°C/W

THERMAL CHARACTERISTICS

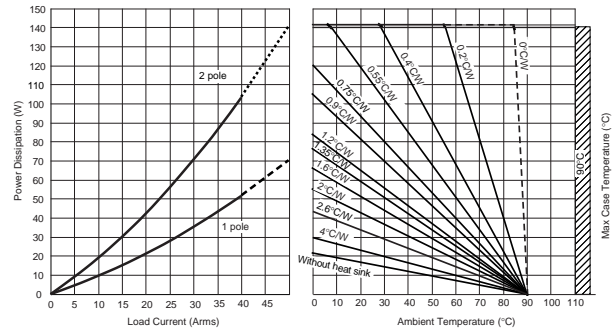


Figure 6a — SD24 50A relays output current

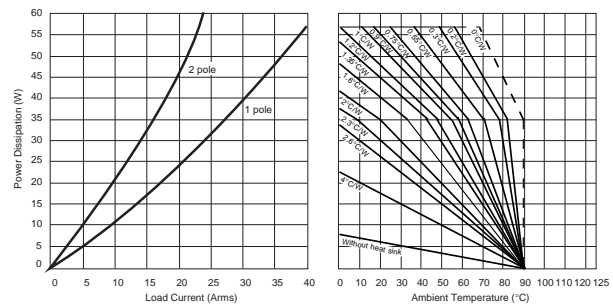


Figure 6b — SD24D40-06 and SD48D40-06 output current

SURGE CURRENT

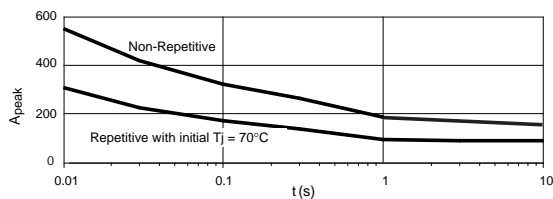


Figure 5a — SD24 50A output current

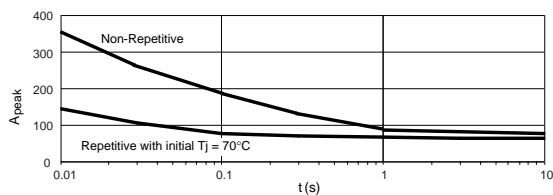


Figure 5b — SD48 40A and SD24 40A output current

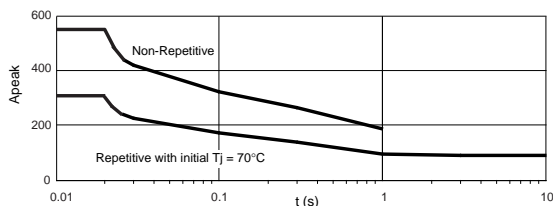


Figure 5c — SD48 50A output current

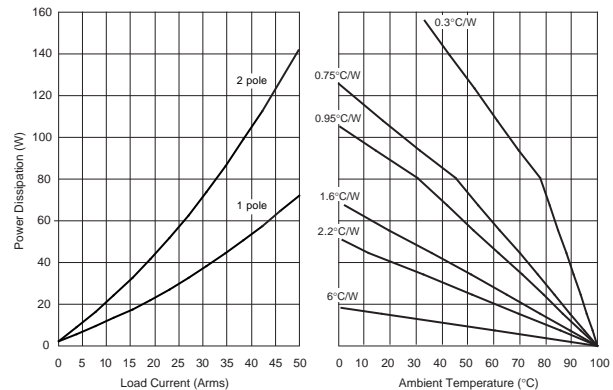


Figure 6c — SD48D50A and SD48D50A2 output current

NOTES:

1. Electrical specifications at 25°C unless otherwise specified.
2. For 800Hz applications, contact factory.
3. For additional/custom applications, contact factory.

OPTIONAL ADD-ONS

Please order add-ons separately:

- -12 — Thermal pad installed.
- -14 — Plastic touch-proof cover.

X-ON Electronics

Largest Supplier of Electrical and Electronic Components

Click to view similar products for [Solid State Relays - Industrial Mount](#) category:

Click to view products by [Teledyne](#) manufacturer:

Other Similar products are found below :

[D2440-C](#) [H10CA4890](#) [D4875C](#) [D53TP50DH-10](#) [1395831-1](#) [1616010-6](#) [BR312BY](#) [A-1326](#) [H10CA4850](#) [H12CA4890VL](#) [RA2410-D06](#)
[RA2410HA06T](#) [D1202F](#) [D53TP50-10](#) [W230E-1-12](#) [W230T-3-12](#) [1-1617030-3](#) [1-1617033-7](#) [MS2-D2420](#) [MS2-D2430](#) [A-1440](#)
[RJ1P60V50E](#) [HS501DR-D2425](#) [RN1F48I50](#) [70.362.1028.0](#) [7-1393030-8](#) [Z5.509.0828.0](#) [G3DZ-4B DC24](#) [G3DZ-F4B DC12](#) [SSRDAC10](#)
[RV8S-L-A240-D24](#) [RV8S-L-A240-D6](#) [RV8S-S-A240-D24](#) [RV8S-S-A240-D6](#) [RV8S-S-A240Z-D24](#) [RV8S-S-D24-A240](#) [RV8S-S-D48-A120](#)
[RN1F12V50](#) [RJ1P60I30E](#) [RJ1P60V30E](#) [SO967860](#) [SMT8628521](#) [SO869970](#) [SOD867180](#) [SAL961360](#) [SO867970](#) [SOB863860](#)
[SOB867640](#) [SOB942360](#) [G3PH-5150B DC5-24](#)