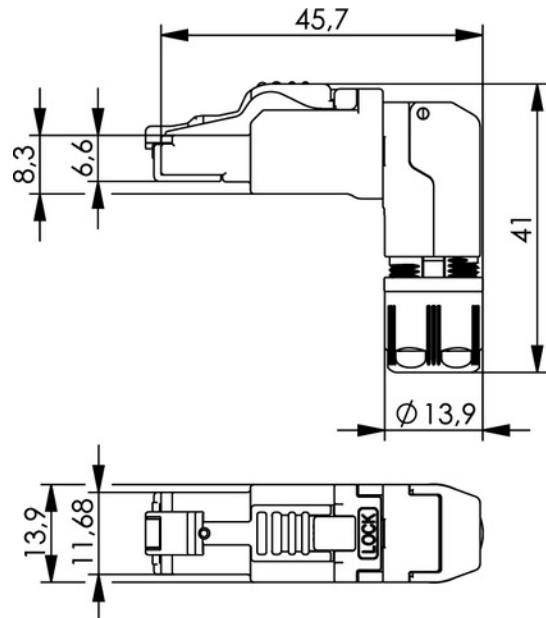


order number: J00026A4002

MFP8-4x90 PROFINET, AWG24/1-22/1, AWG27/7-22/7



Fig. may differ



Technical Attributes	
Short name	MFP8-4x90 PROFINET
Remarks	AWG 24/1-22/1, AWG 27/7-22/7, incl. pre-assembled protection cap

## Performance Characteristics

- Cu conductor diameter:(J00026A4000, -1, -2, -4110, -4111, -4112)solid 0.51 – 0.64 mm (AWG24/1 – 22/1)stranded 0.46 – 0.76 mm (AWG27/7 – 22/7)stranded 0.61 – 0.78 mm (AWG24/19 – 22/19)\* ; core diameter: 1.0 – 1.6 mm
- IP20
- Outer diameter: 5.5 – 10.0 mm
- Cable entry from 4 directions (4x90)
- Cable strain relief: AF13
- Category 6A acc. to ISO/IEC 11801
- Life: ≥ 750 mating cycles
- PoE+ acc to IEEE 802.3at

- Plug: IEC 60603-7-51 compliant
- Temperature range: -40°C to 85°C
- Shielding housing material: die-cast nickel-plated zinc
- Contact finish material: Ni1,2Au0,8
- Reusable IDC: ≤ 4 cycles

Mechanical Characteristics	
Insertion force	≤ 30 N
Durability (Matings)	≥ 750
Reusable contacts	≤10 cycles
Cu-Conductor diameter: solid	0.51 - 0.64 mm (AWG24/1-22/1)
Cu-Conductor diameter: stranded	0.46 - 0.76 mm (AWG27/7-22/7)
Mating Requirements Cu-Conductor diameter: stranded	0.61 - 0.78 mm (AWG24-22/19)
Core Diameter	1,0 - 1,6 mm
Material: contacts	phosphor bronze tinned
Material: connector housing	PC UL94 V0
Material: PCB	FR4 UL 94 V0
Material: piercing contacts	phosphor bronze tinned
Material: shield contact	brass, nickel-plated
Material: wire pair presorting	PC UL94 V0 white
Material: uplock hook	PBT UL94 V0
Material: shielding housing	zinc diecast, nickel-plated
Material: cable clamp	PBT UL94 V0
Material: protection cap	PBT UL94 V0

Climatic Characteristics	
Temperature range [°C]	-40/ 85
UL	E244889

Standards	
Connectors	IEC 60603-7-51

---

10 Gigabit Ethernet acc. to IEEE 802.3an	Adequate for 10 Gigabit Ethernet

## X-ON Electronics

Largest Supplier of Electrical and Electronic Components

*Click to view similar products for [Modular Connectors / Ethernet Connectors](#) category:*

*Click to view products by [TELEGARTNER](#) manufacturer:*

Other Similar products are found below :

[RJE231881317T](#) [MP1010RX-1000](#) [MP44RX-1000](#) [GAX-3-66](#) [GAX-8-62](#) [93606-0253](#) [GD-A-44](#) [GDCX-PA-66-50](#) [GDCX-PN-64](#) [GDCX-PN-66](#) [GDCX-PN-66-50](#) [GDLX-A-66](#) [GDLX-A-88](#) [GDLX-N-66](#) [GDLX-S-88K](#) [GDTX-S-88-50](#) [GDX-PA-1010](#) [GLX-A-44](#) [GLX-N-1010M-BLK](#) [GLX-N-44M](#) [GLX-S-88M-BLK](#) [GMX-N-1010](#) [GMX-S-1010](#) [GMX-S-66](#) [GMX-SMT2-N-1010](#) [GMX-SMT2-N-64-50](#) [GMX-SMT2-S6-88](#) [GMX-SMT4-N-88](#) [GPX-2-64](#) [GRT1-BT1-5](#) [GSGX-N-2-88](#) [GSX-NS2-88-3.05](#) [GSX-NS2-88-3.05-50](#) [GSX-NS-88-3.05-30](#) [GSX-NS-88-3.05-50](#) [GSX-NS-88-3.68](#) [1-1775629-2](#) [GWLX-S-88-GR](#) [GWLX-S9-88-YG](#) [1300500326](#) [1300500227](#) [1300530003](#) [1300570002](#) [1324640-4](#) [RJ11FTVC2G](#) [RJ11FTVC2N](#) [RJFTVX2SA1G](#) [132764-001](#) [1400000](#) [1413176](#)