

order number: J80020A0221

STX M12x1 BS D-cod. Cat.5, BS4D180-1-4THR057BM000

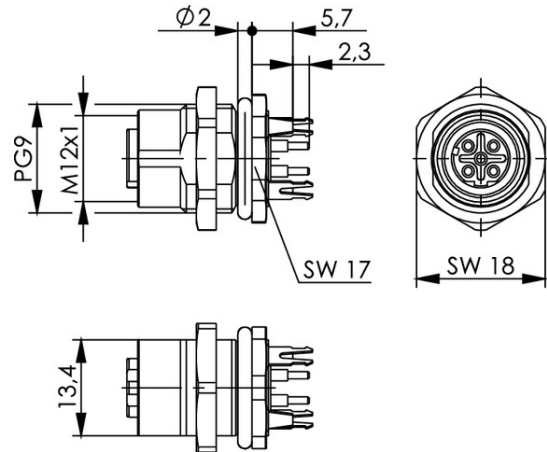


Fig. may differ



Technical Attributes	
Description	STX M12x1 BS D-cod. Cat.5
Short name	BS4D180-1-4THR057BM000
Type	4 pole, D-coded, straight, 1pc. design, screen connection quad, solder connection THR, gap to PCB 5.7 mm, back mounting

Mechanical Characteristics	
Durability (Matings)	≥ 100
Cu-Conductor diameter: solid	0.51 - 1.0 mm (AWG24-18/1)
Insertion force	≤ 30 N
Material: contacts	CuSn
Material: shield	German silver
Material: pressure screw	brass nickel-plated
Material: housing	zinc diecast nickel plated / brass nickel plated
Material: contact body	PA
Material: contacts	CuSn

Material: contact finish	Au over Ni
--------------------------	------------

Electrical Characteristics	
Contact resistance	≤ 5 MΩ
Voltage proof: contact-contact	≥ 500 V, DC
Insulation resistance	≥ 100 MΩ
Voltage proof: contact-shield	≥ 500 V, DC

Standards	
Connectors	IEC 61076-2-101

Shock	50 g
Protection against particulate ingress	IP6X
Protection against water / immersion	IPX7
Ambient temperature	-40° C to +85° C

Fast Ethernet acc. to IEEE 802.3	fulfilled
Category 5	ISO/IEC 11801, DIN EN 50173-1

X-ON Electronics

Largest Supplier of Electrical and Electronic Components

Click to view similar products for [telegartner](#) manufacturer:

Other Similar products are found below :

[J01040A0602](#) [J01008A0824](#) [J01010A0035](#) [J00026A3001](#) [J00026A4004](#) [J00026A5002](#) [J01151A0491Z](#) [J80029A0500](#) [L84611A0000](#)
[L84613A0000](#) [L84614A0000](#) [L84615A0000](#) [J01027A0023](#) [J01420A0065](#) [J01010A0023](#) [J01010A2255](#) [J01028A0033](#) [J01150A0588](#)
[J00026A3000](#) [J00026A3002](#) [J00026A3003](#) [J00026A4002](#) [J01021A0147](#) [J01151R0021](#) [J01027A0029](#) [J01440A0011](#) [J01010A0051](#)
[J01040A0010](#) [J01010A0037](#) [J00026A5001](#) [J01005A1238](#) [J80026A0200](#) [J01151A0741](#) [J01042A0637](#) [J01001A1265](#) [J01040B0602](#)
[J80026A0100](#) [J01010A0022](#) [J01011A2287](#) [J01020A0097](#) [J01020A0119](#) [J01020A0127](#) [J01122C0014](#) [J00026A4001](#) [J01008A0059](#)
[J01150A0061](#) [J80029A0310](#) [J01440A0005](#) [J01440A0024](#) [J01161A0691](#)