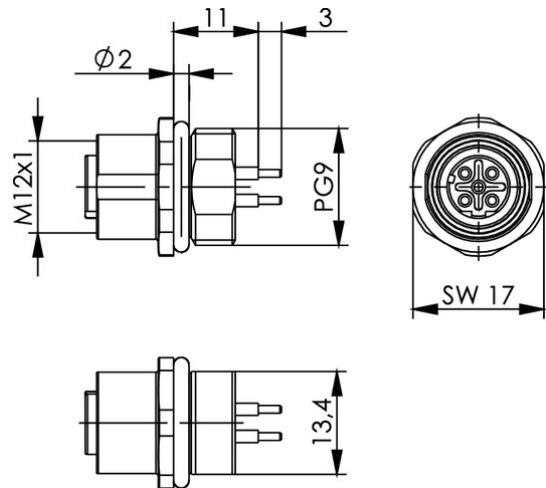


order number: J80020A0222

STX M12x1 BS D-cod. Cat.5, BS4D180-1-5THR110FM000



Fig. may differ



| Technical Attributes |   |
|----------------------|---|
| Description          | STX M12x1 BS D-cod. Cat.5   |
| Short name           | BS4D180-1-5THR110FM000  |
| Type                 | 4 pole, D-coded, straight, 1pc. design, screen connection 360°, solder connection THR, gap to PCB 11 mm, front mounting |

| Mechanical Characteristics   |  |
|------------------------------|--|
| Durability (Matings)         | ≥ 100  |
| Cu-Conductor diameter: solid | 0.51 - 1.0 mm (AWG24-18/1)                       |
| Insertion force              | ≤ 30 N   |
| Material: contacts           | CuSn   |
| Material: shield             | German silver                                    |
| Material: pressure screw     | brass nickel-plated                              |
| Material: housing            | zinc diecast nickel plated / brass nickel plated |
| Material: contact body       | PA   |
| Material: contacts           | CuSn   |

|                          |            |
|--------------------------|------------|
| Material: contact finish | Au over Ni |
|--------------------------|------------|

| Electrical Characteristics     |                            |
|--------------------------------|----------------------------|
| Contact resistance             | $\leq 5 \text{ M}\Omega$   |
| Voltage proof: contact-contact | $\geq 500 \text{ V, DC}$   |
| Insulation resistance          | $\geq 100 \text{ M}\Omega$ |
| Voltage proof: contact-shield  | $\geq 500 \text{ V, DC}$   |

| Standards  |                 |
|------------|-----------------|
| Connectors | IEC 61076-2-101 |

|  |                  |
|--|------------------|
| Shock                                  | 50 g             |
| Protection against particulate ingress | IP6X             |
| Protection against water / immersion   | IPX7             |
| Ambient temperature                    | -40° C to +85° C |

|                                  |                               |
|----------------------------------|-------------------------------|
| Fast Ethernet acc. to IEEE 802.3 | fulfilled                     |
| Category 5                       | ISO/IEC 11801, DIN EN 50173-1 |

## X-ON Electronics

Largest Supplier of Electrical and Electronic Components

*Click to view similar products for [telegartner](#) manufacturer:*

Other Similar products are found below :

[J01040A0602](#) [J01008A0824](#) [J01010A0035](#) [J00026A3001](#) [J00026A4004](#) [J00026A5002](#) [J01151A0491Z](#) [J80029A0500](#) [L84611A0000](#)  
[L84613A0000](#) [L84614A0000](#) [L84615A0000](#) [J01027A0023](#) [J01420A0065](#) [J01010A0023](#) [J01010A2255](#) [J01028A0033](#) [J01150A0588](#)  
[J00026A3000](#) [J00026A3002](#) [J00026A3003](#) [J00026A4002](#) [J01021A0147](#) [J01151R0021](#) [J01027A0029](#) [J01440A0011](#) [J01010A0051](#)  
[J01040A0010](#) [J01010A0037](#) [J00026A5001](#) [J01005A1238](#) [J80026A0200](#) [J01151A0741](#) [J01042A0637](#) [J01001A1265](#) [J01040B0602](#)  
[J80026A0100](#) [J01010A0022](#) [J01011A2287](#) [J01020A0097](#) [J01020A0119](#) [J01020A0127](#) [J01122C0014](#) [J00026A4001](#) [J01008A0059](#)  
[J01150A0061](#) [J80029A0310](#) [J01440A0005](#) [J01440A0024](#) [J01161A0691](#)