

# 2X5 PIN CONNECTOR

# 2X3 PIN CONNECTOR

## TECHNICAL DATA

### GENERAL

Voltage rating	300 V
Current rating	8 A
Withstand voltage	1600 V/1min
Wire range AWG	24 - 16 AWG
Temperature range	-40°C +105°C
Insulator material	PA66
Internal contacts material	Copper alloy
Internal contacts finishing	Sn plated

### ADDITIONAL

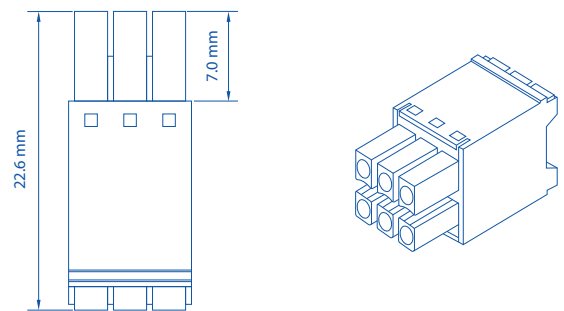
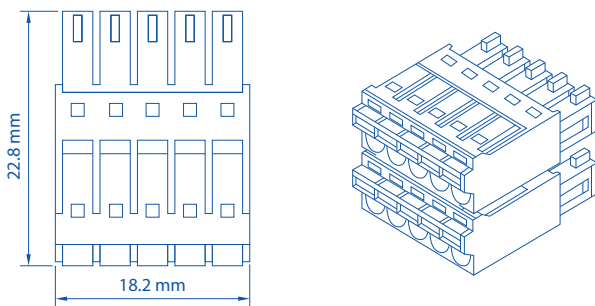
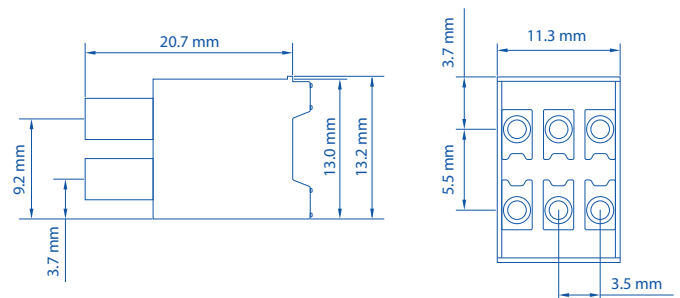
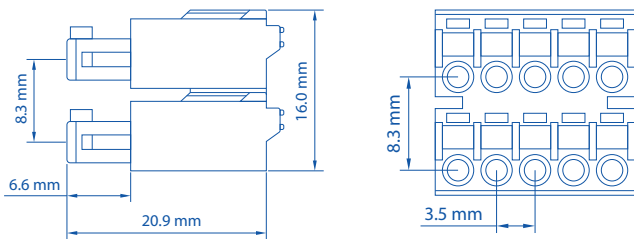
Strip Length	9 - 10 mm
Pitch	3.5 mm
Shrapnel	Stainless steel
Conductor cross section	0.2 - 1.5 mm <sup>2</sup>
Poles	2 x 5
Flammability rating	UL 94 V-0
RoHS	✓
REACH	✓

### GENERAL

Voltage rating	300 V
Current rating	8 A
Withstand voltage	1600 V/1min
Wire range AWG	24 - 16 AWG
Temperature range	-40°C +105°C
Insulator material	PA66
Internal contacts material	Copper alloy
Internal contacts finishing	Sn plated

### ADDITIONAL

Strip Length	9 - 10 mm
Pitch	3.5 mm
Shrapnel material	Copper alloy
Conductor cross section	0.2 - 1.5 mm <sup>2</sup>
Poles	2 x 3
Flammability rating	UL 94 V-0
RoHS	✓
REACH	✓



## X-ON Electronics

Largest Supplier of Electrical and Electronic Components

*Click to view similar products for [Pluggable Terminal Blocks](#) category:*

*Click to view products by [Teltonika](#) manufacturer:*

Other Similar products are found below :

[57.510.0053](#) [MC 1.5/ 6-ST-3.5 GY AU](#) [ET02015000J0G](#) [860505](#) [860516](#) [860810](#) [GBPACX-12](#) [93.731.4953.0](#) [PV05-5,08-K](#) [PVP03-3,50](#)  
[PVS02-5,00](#) [1-1986160-3](#) [1377680000](#) [1531000000](#) [1546228-5](#) [ELFP03110](#) [ELFP10210](#) [ELFT07250](#) [ELVD12100](#) [ELVF09400](#)  
[ELVP03100](#) [ELXH071G0E](#) [1700410](#) [1746952](#) [1760336](#) [1809474](#) [1855000000](#) [19346](#) [1946309](#) [1950227](#) [1973592](#) [19892](#) [25.320.4053.1](#)  
[25.320.4553.9](#) [25.320.4753.1](#) [25.320.5453.1](#) [25.340.0353.1](#) [25.340.1053.1](#) [25.345.3553.0M001](#) [25.640.3553.1](#) [SH02-5,08](#) [SH06-3,81](#) [SH08-](#)  
[5,08](#) [SH08-5,08-K](#) [SH12-5,08](#) [SHS04-5,00](#) [30.303](#) [30.305](#) [30.306](#) [1719561](#)