

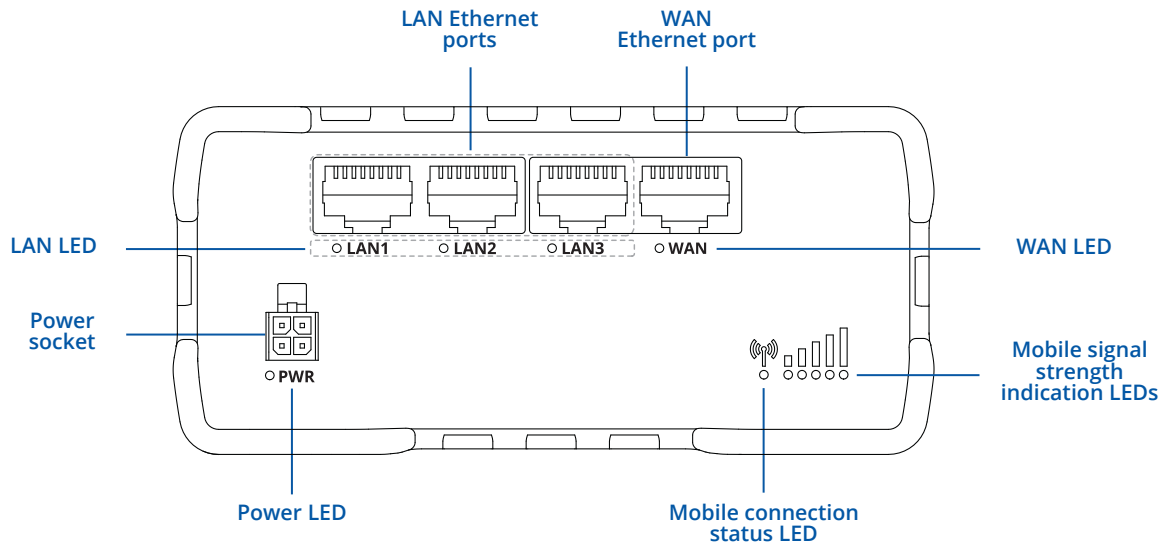


# RUT950

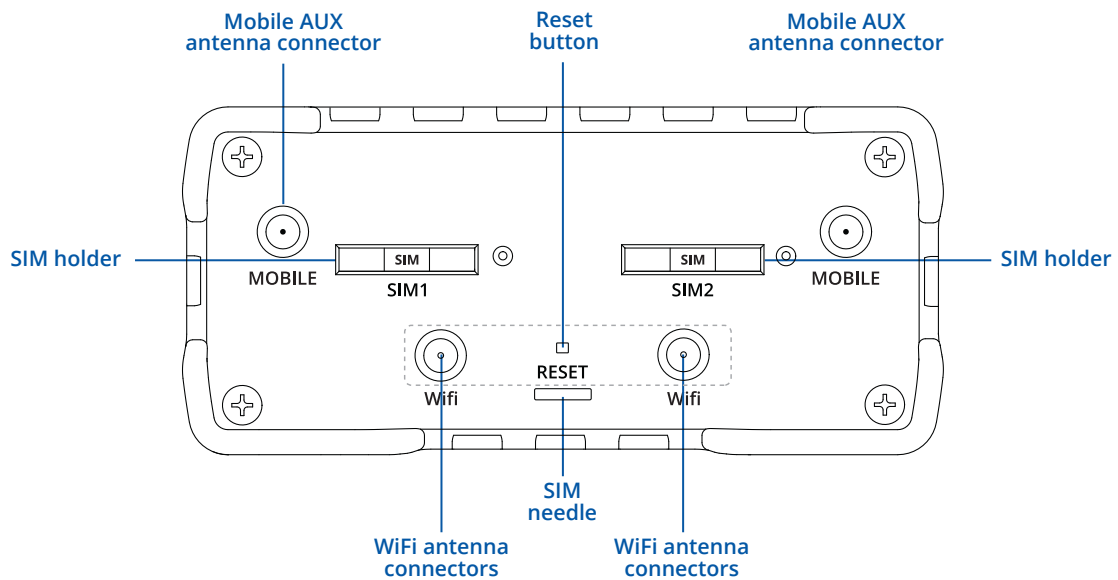


# HARDWARE

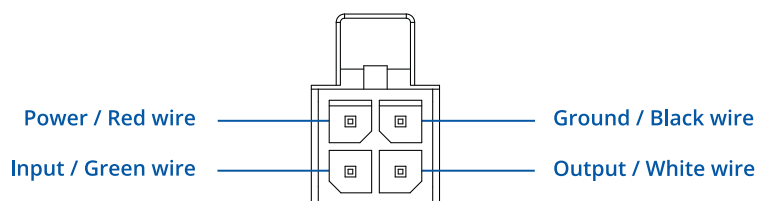
## FRONT VIEW



## BACK VIEW



## POWER SOCKET PINOUT



## FEATURES

### MOBILE

Mobile module	4G (LTE) – Cat 4 up to 150 Mbps, 3G – Up to 42 Mbps, 2G – Up to 236.8 kbps
Status	Signal strength, SINR, RSRP, RSRQ, Bytes sent/received
Bridge	Direct connection (bridge) between mobile ISP and device on LAN
SMS	SMS status, SMS configuration, send/read SMS via HTTP POST/GET, EMAIL to SMS, SMS to EMAIL, SMS to HTTP, SMS to SMS, scheduled SMS, SMS autoreply, SMPP
SIM switch	2 SIM cards, auto-switch cases: weak signal, data limit, SMS limit, roaming, no network, network denied, data connection fail, SIM idle protection
Passthrough	Router assigns its mobile WAN IP address to another device on LAN
APN	Auto APN
Black/White list	Operator black/white list
Multiple PDN (optional)	Possibility to use different PDNs for multiple network access and services
Band management	Band lock, Used band status display

### WIRELESS

Wireless mode	IEEE 802.11b/g/n, Access Point (AP), Station (STA)
WiFi	WPA2-Enterprise (with external/internal Radius server), WPA2-PSK, WPA-PSK, WEP, MAC Filter
WiFi security	WPA2-Enterprise - PEAP, TLS, TTLS. AES-CCMP, TKIP, Auto Cipher modes. Client separation
SSID	SSID stealth mode and access control based on MAC address
WiFi users	Up to 100 simultaneous connections
Wireless Hotspot	Captive portal (Hotspot), internal/external Radius server, built in customizable landing page

### ETHERNET

WAN	1 x WAN port (can be configured to LAN) 10/100 Mbps, comply IEEE 802.3, IEEE 802.3u standards, supports auto MDI/MDIX
LAN	3 x LAN ports, 10/100 Mbps, comply IEEE 802.3, IEEE 802.3u standards, supports auto MDI/MDIX

### NETWORK

Routing	Static routing, Dynamic routing (BGP, OSPF v2, RIP v1/v2, NHRP)
VoIP passthrough support	H.323 and SIP-alg protocol NAT helpers, allowing proper routing of VoIP packets
Network protocols	TCP, UDP, IPv4, IPv6, ICMP, NTP, DNS, HTTP, HTTPS, FTP, SMTP, SSL v3, TLS, ARP, VRRP, PPP, PPPoE, UPNP, SSH, DHCP, Telnet, SMPP, SNMP, MQTT, Wake On Lan (WOL)
Connection monitoring	Ping Reboot, Periodic Reboot, LCP and ICMP for link inspection
Firewall	Port forward, traffic rules, custom rules
DHCP	Static and dynamic IP allocation, DHCP Relay
QoS / Smart Queue Management (SQM)	Traffic priority queuing by source/destination, service, protocol or port, WMM, 802.11e
DDNS	Supported >25 service providers, others can be configured manually
Network backup	VRRP, Mobile, Wired and WiFi WAN options, each of which can be used as backup, using automatic Failover
Load balancing	Balance your internet traffic over multiple WAN connections
NetSnapper (optional)	Mobile connection management, data compression VPN client (not available in standard FW)
SSHFS (optional)	Possibility to mount remote file system via SSH protocol (not available in standard FW)

### MODBUS TCP SLAVE

ID range	1-255
Allow Remote Access	Allow access through WAN
Custom registers	Modbus TCP custom register block requests, which read/write to a file inside the router, and can be used to extend Modbus TCP Slave functionality

## SECURITY

Authentication	Pre-shared key, digital certificates, X.509 certificates
Firewall	Pre-configured firewall rules can be enabled via web-ui, unlimited firewall configuration via CLI; DMZ; NAT; NAT-T
Attack prevention	DDOS prevention (SYN flood protection, SSH attack prevention, HTTP/HTTPS attack prevention), port scan prevention ( SYN-FIN, SYN-RST, X-mas, NULL flags, FIN scan attacks)
WiFi security	WPA2-Enterprise – PEAP, EAP-TLS, TLS, TTLS. AES-CCMP, TKIP, Auto Cipher modes. Client separation
VLAN	Port based and tag based VLAN separation
Mobile quota control	Set up custom data limits for both SIM cards
WEB filter	Blacklist for blocking out unwanted websites, whitelist for specifying allowed sites only
Access control	Flexible access control of TCP, UDP, ICMP packets, MAC address filter

## VPN

OpenVPN	Multiple clients and server can be running simultaneously, 12 encryption methods
OpenVPN Encryption	DES-CBC, RC2-CBC, DES-EDE-CBC, DES-EDE3-CBC, DESX-CBC, BF-CBC, RC2-40-CBC, CAST5-CBC, RC2-64-CBC, AES-128-CBC, AES-192-CBC, AES-256-CBC
IPsec	IKEv1, IKEv2, supports up to 4 x VPN IPsec tunnels (instances), with 5 encryption methods (DES, 3DES, AES128, AES192, AES256)
GRE	GRE tunnel
PPTP, L2TP	Client/Server services can run simultaneously
Stunnel	Proxy designed to add TLS encryption functionality to existing clients and servers without any changes in the programs' code
SSTP	SSTP client instance support
ZeroTier	ZeroTier VPN

## MONITORING & MANAGEMENT

WEB UI	HTTP/HTTPS, status, configuration, FW update, CLI, troubleshoot, event log, system log, kernel log
FOTA	Firmware update from server, automatic notification
SSH	SSH (v1, v2)
SMS	SMS status, SMS configuration, send/read SMS via HTTP POST/GET
CALL	Reboot, Status, WiFi on/off, Mobile data on/off, Output on/off
TR-069	OpenACS, EasyCwmp, ACSLite, tGem, LibreACS, GenieACS, FreeACS, LibCWMP, Friendly tech, AVSystem
MQTT	MQTT Broker, MQTT publisher
SNMP	SNMP (v1, v2, v3), SNMP trap
JSON-RPC	Management API over HTTP/HTTPS
Modbus	MODBUS TCP status/control
RMS	Teltonika Remote Management System (RMS)

## MODBUS TCP MASTER

Supported functions	01, 02, 03, 04, 05, 06, 15, 16
Supported data formats	8 bit: INT, UINT; 16 bit: INT, UINT (MSB or LSB first); 32 bit float (Big endian, Big endian with byte-swapped, Little endian, Little endian with byte-swapped)

## MODBUS DATA TO SERVER

Protocol	HTTP(S), MQTT, Azure MQTT
----------	---------------------------

## MQTT GATEWAY

MQTT gateway	Allows sending commands and receiving data from Modbus Master through MQTT broker
--------------	---

## IoT PLATFORMS

Clouds of things	Allows monitoring of: Device data, Mobile data, Network info, Availability
ThingWorx	Allows monitoring of: WAN Type, WAN IP Mobile Operator Name, Mobile Signal Strength, Mobile Network Type
Cumulocity	Allows monitoring of: Device Model, Revision and Serial Number, Mobile Cell ID, ICCID, IMEI, Connection Type, Operator, Signal Strength, WAN Type and IP
Azure IoT Hub	Can send device IP, Number of bytes send/received/ 3G connection state, Network link state, IMEI, ICCID, Model, Manufacturer, Serial, Revision, IMSI, Sim State, PIN state, GSM signal, WCDMA RSCP WCDMA EC/IO, LTE RSRP, LTE SINR, LTE RSRQ, CELL ID, Operator, Operator number, Connection type, Temperature, PIN count to Azure IoT Hub server

## SYSTEM CHARACTERISTICS

CPU	Atheros Wasp, MIPS 74Kc, 550 MHz
RAM	128 MB, DDR2
FLASH memory	16 MB SPI Flash

## FIRMWARE / CONFIGURATION

WEB UI	Update FW from file, check FW on server, configuration profiles, configuration backup, restore point
FOTA	Update FW/configuration from server
RMS	Update FW/configuration for multiple devices
Keep settings	Update FW without losing current configuration

## FIRMWARE CUSTOMIZATION

Operating system	RutOS (OpenWrt based Linux OS)
Supported languages	Busybox shell, Lua, C, C++
Development tools	SDK package with build environment provided

## INPUT/OUTPUT

Input	1 x Digital non-isolated input (on 4 pin power connector)
Output	1 x Digital open collector output (30 V, 300 mA, on 4 pin power connector)
Events	SMS, EMAIL, RMS

## POWER

Connector	4 pin industrial DC power socket
Input voltage range	9 – 30 VDC (4 pin industrial socket), reverse polarity protection; surge protection >31 VDC 10us max
PoE (passive)	Passive PoE over spare pairs. Possibility to power up through LAN port, not compatible with IEEE802.3af and 802.3at standards
Power consumption	< 2 W idle, < 7 W Max

## PHYSICAL INTERFACES (PORTS, LEDS, ANTENNAS, BUTTONS, SIM)

Ethernet	4 x RJ45 ports, 10/100 Mbps
I/Os	2 Inputs/Outputs pin on 4 pin power connector (available from HW revision 1600)
Status LEDs	1 x bi-color connection status LED, 5 x connection strength LEDs, 4 x LAN status LEDs, 1 x Power LED
SIM	2 x SIM slots (Mini SIM - 2FF), 1.8 V/3 V, external SIM holders, eSIM (Optional)
Power	4 pin power connector with 2 pins for Input/Output
Antennas	2 x SMA for LTE, 2 x RP-SMA for WiFi antenna connectors
Reset	Reset/restore to default button
Input/Output	2 programmable Inputs/Outputs

**PHYSICAL SPECIFICATION**

Casing material	Aluminum housing, plastic panels
Dimensions	100 x 110 x 50 mm (L x W x H)
Weight	280 g
Mounting options	DIN rail (can be mounted on two sides), flat surface placement

**OPERATING ENVIRONMENT**

Operating temperature	-40 C to 75 C
Operating humidity	10 % to 90 % non-condensing
Ingress Protection Rating	IP30
MTBF	270000 h

**REGULATORY & TYPE APPROVALS**

Regulatory	CE/RED, FCC, IC, PTCRB, RCM, EAC, CCC, RoHS, WEEE, IP rating, Anatel, GCF, TRA approval, REACH, DNV GL, Declaration of Software Security, Thailand NBTC, Ukraine UCRF, WiFi Certified, SDPPI (POSTEL)
Operator	AT&T, Verizon

**EMI IMMUNITY**

Standards	Draft EN 301 489-1 V2.2.0, Draft EN 301 489-17 V3.2.0, Draft EN 301 489-19 V2.1.0, Draft EN 301 489-52 V1.1.0 FCC 47 CFR Part 15B (2018), ANSI C63.4 (2014)
ESD	EN61000-4-2:2009
RS	EN 61000-4-3:2006 + A1:2008 + A2:2010
EFT	EN 61000-4-4:2012
Surge immunity (AC Power Line)	EN 61000-4-5:2006
Surge immunity (Ethernet ports)	EN 61000-4-5:2014, clause 7.1 of ITU-T K21
Transient and surges	ISO 7632-2:2004
CS	EN 61000-4-6:2009
DIP	EN 61000-4-11:2004

**RF**

Standards	EN 300 328 V2.1.1, EN 301 511 V12.5.1, EN 301 908-1 V11.1.1, EN 301 908-2 V11.1.1, EN 301 908-13 V11.1.1 AS/CA S042.1:2018, AS/ACIF S042.3:2005, AS/CA S042.4:2018, AS/NZS 4268:2017 FCC 47 CFR Part 15C, FCC 47 CFR Part 22H, FCC 47 CFR Part 24E, FCC 47 CFR Part 27
-----------	--

**SAFETY**

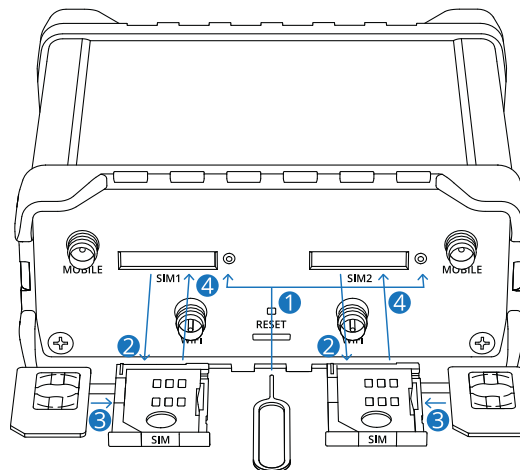
Standards	IEC 60950-1:2005 (Second Edition) + Am 1:2009 + Am 2:2013 AS/NZS 60950.1:2015 EN 50665:2017, EN 62311:2008 FCC 47 CFR Part 1 1.1310
-----------	---

**ENVIRONMENTAL**

Ingress Protect	LST EN 60529:1999+A1+AC:2002
Vibration	Class guideline-DNVGL-CG-0339:2016 EN 60068-2-6:2008

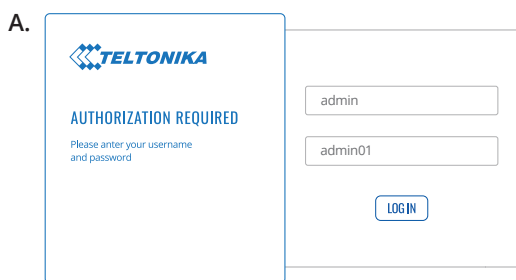
# HARDWARE INSTALLATION

1. Push the SIM holder button with the SIM needle.
2. Pull out the SIM holder.
3. Insert your SIM card into the SIM holder.
4. Slide the SIM holder back into the router.
5. Attach all antennas.
6. Connect the power adapter to the socket on the front of the device. Then plug the other end of the power adapter into a power outlet.
7. Connect to the device wirelessly using SSID and password provided on the device information label or use an Ethernet cable connected to LAN port.



## LOGIN TO DEVICE

1. To enter the router's Web interface (WebUI), type <http://192.168.1.1> into the URL field of your Internet browser.
2. Use login information shown in image A when prompted for authentication.
3. After you log in, you will be prompted to change your password for security reasons. The new password must contain at least 8 characters, including at least one uppercase letter, one lowercase letter, and one digit. This step is mandatory, and **you will not be able to interact with the router's WebUI before you change the password.**
4. When you change the router's password, the **Configuration Wizard** will start. The **Configuration Wizard** is a tool used to set up some of the router's main operating parameters.
5. Go to the **Overview** page and pay attention to the **Signal Strength** indication (image B). To maximize the cellular performance try adjusting the antennas or changing the location of your device to achieve the best signal conditions.



## TECHNICAL INFORMATION

Radio specifications	
RF technologies	2G, 3G, 4G, WiFi
Max RF power	33 dBm@GSM, 24 dBm@WCDMA, 23 dBm@LTE, 20 dBm@ WiFi
Bundled accessories specifications*	
Power adapter	Input: 0.4A@100-240VAC, Output: 9VDC, 1A, 4-pin plug
Mobile antenna	698~960/1710~2690 MHz, 50 Ω, VSWR<3, gain** 3 dBi, omnidirectional, SMA male connector
WiFi antenna	2400~2483.5 MHz, 50 Ω, VSWR<2, gain** 5 dBi, omnidirectional, RP-SMA male connector

\*Order code dependent.

\*\*Higher gain antenna can be connected to compensate for cable attenuation when a cable is used. The user is responsible for the compliance with the legal regulations.

## WHAT'S IN THE BOX?

### STANDARD PACKAGE CONTAINS

- RUT950
- 2 x LTE antennas (swivel, SMA male)
- 2 x WiFi antennas (swivel, RP-SMA male)
- 24 W Euro PSU
- Ethernet cable (1.5 m)
- QSG (Quick Start Guide)
- Packaging box



RUT950



2 X LTE ANTENNAS (SWIVEL, SMA MALE)



2 X WIFI ANTENNAS (SWIVEL, RP-SMA MALE)



24 W EURO PSU



ETHERNET CABLE (1.5 M)



## STANDARD ORDER CODES

PRODUCT CODE	HS CODE	HTS CODE	PACKAGE CONTAINS
RUT950 U022C0	851762	8517.62.00	Standard package

For more information on all available packaging options – please contact us directly.

## STANDARD ORDER CODES

PRODUCT CODE	REGION (OPERATOR)	FREQUENCY
RUT950 T*****	Europe, the Middle East, Africa, Korea, Thailand, India, Malaysia	<ul style="list-style-type: none"> <li>● 4G (LTE-FDD): B1, B3, B7, B8, B20, B28A</li> <li>● 4G (LTE-TDD): B38, B40, B41</li> <li>● 3G: B1, B8</li> <li>● 2G: B3, B8</li> </ul>
RUT950 U*****	Europe, the Middle East, Africa, Korea, Thailand, Malaysia	<ul style="list-style-type: none"> <li>● 4G (LTE-FDD): B1, B3, B7, B8, B20, B28A</li> <li>● 3G: B1, B8</li> <li>● 2G: B3, B8</li> </ul>
RUT950 H*****	Europe, the Middle East, Africa, Korea, Thailand, India, Malaysia	<ul style="list-style-type: none"> <li>● 4G (LTE-FDD): B1, B3, B5, B7, B8, B20</li> <li>● 4G (LTE-TDD): B38, B40, B41</li> <li>● 3G: B1, B5, B8</li> <li>● 2G: B3, B8</li> </ul>
RUT950 J*****	North America (AT&T, Bell, T-Mobile) <sup>1</sup>	<ul style="list-style-type: none"> <li>● 4G (LTE-FDD): B2, B4, B12</li> <li>● 3G: B2, B4, B5</li> </ul>
RUT950 K*****	North America (Verizon)	<ul style="list-style-type: none"> <li>● 4G (LTE-FDD): B4, B13</li> </ul>
RUT950 L*****	Australia (Telstra)	<ul style="list-style-type: none"> <li>● 4G (LTE-FDD): B1, B3, B5, B7, B28</li> <li>● 3G: B1, B5</li> </ul>
RUT950 M*****	South America, Australia, New Zealand, Taiwan	<ul style="list-style-type: none"> <li>● 4G (LTE-FDD): B1, B2, B3, B4, B5, B7, B8, B28</li> <li>● 4G (LTE-TDD): B40</li> <li>● 3G: B1, B2, B5, B8</li> <li>● 2G: B2, B3, B5, B8</li> </ul>
RUT950 P*****	Japan	<ul style="list-style-type: none"> <li>● 4G (LTE-FDD): B1, B3, B8, B18, B19, B26</li> <li>● 4G (LTE-TDD): B41</li> <li>● 3G: B1, B6, B8, B19</li> </ul>
RUT950 V*****	Global	<ul style="list-style-type: none"> <li>● 4G (LTE-FDD): B1, B2, B3, B4, B5, B7, B8, B12, B13, B18, B19, B20, B25, B26, B28</li> <li>● 4G (LTE-TDD): B38, B39, B40, B41</li> <li>● 3G: B1, B2, B4, B5, B6, B8, B19</li> <li>● 2G: B2, B3, B5, B8</li> </ul>

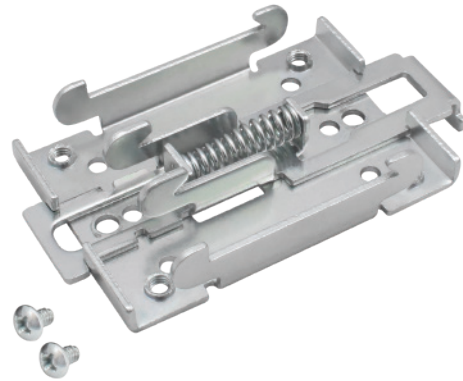
The price and lead-times for region (operator) specific versions may vary. For more information please contact us.

1 - Router is not certified on Bell, T-Mobile network.

## MOUNTING OPTIONS

### DIN RAIL KIT

Parameter	Value
Mounting standard	35mm DIN Rail
Material	Low carbon steel
Weight	57g
Screws included	Philips Pan Head screw #6-32×3/16, 2pcs
Dimensions	82 mm x 46 mm x 20 mm
RoHS Compliant	V



#### DIN RAIL KIT

- DIN Rail adapter
- Philips Pan Head screw #6-32×3/16, 2pcs for RUT2xx/RUT9xx

ORDER CODE	PRODUCT CODE	HS CODE	HTS CODE
088-00267	PR5MEC00	73269098	7326.90.98

For more information on all available packaging options – please contact us directly.

### COMPACT DIN RAIL KIT

Parameter	Value
Mounting standard	35mm DIN Rail
Material	ABS + PC plastic
Weight	6.5 g
Screws included	Philips Pan Head screw #6-32×3/16, 2pcs
Dimensions	70 mm x 25 mm x 14,5 mm
RoHS Compliant	V



#### DIN RAIL KIT

- Compact plastic DIN Rail adapter (70x25x14,5mm)
- Philips Pan Head screw #6-32×3/16, 2pcs

ORDER CODE	PRODUCT CODE	HS CODE	HTS CODE
088-00270	PR5MEC11	73269098	7326.90.98

For more information on all available packaging options – please contact us directly.

### SURFACE MOUNTING KIT

Parameter	Value
Mounting standard	Flat surface mount
Material	ABS + PC plastic
Weight	2x5 g
Screws included	Philips Pan Head screw #6-32×3/16, 2pcs
Dimensions	25 mm x 48 mm x 7.5 mm
RoHS Compliant	V



#### DIN RAIL KIT

- Surface mounting kit
- Philips Pan Head screw #6-32×3/16, 2pcs

ORDER CODE	PRODUCT CODE	HS CODE	HTS CODE
088-00281	PR5MEC12	73269098	7326.90.98

For more information on all available packaging options – please contact us directly.

## RUT950 SPATIAL MEASUREMENTS & WEIGHT

### MAIN MEASUREMENTS

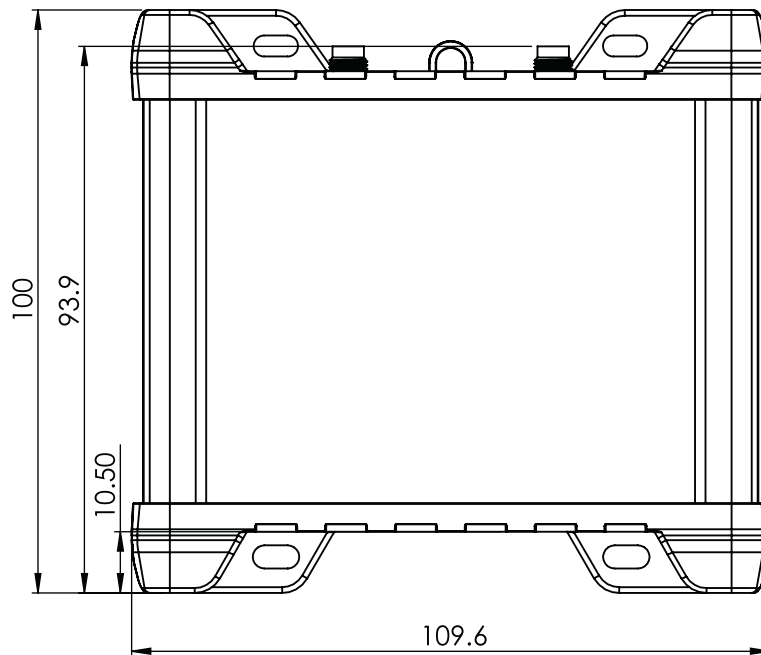
H x W x D dimensions for RUT950:

Device housing*:	100 x 110 x 50
Box:	355 x 175 x 60

\*Housing measurements are presented without antenna connectors and screws; for measurements of other device elements look to the sections below.

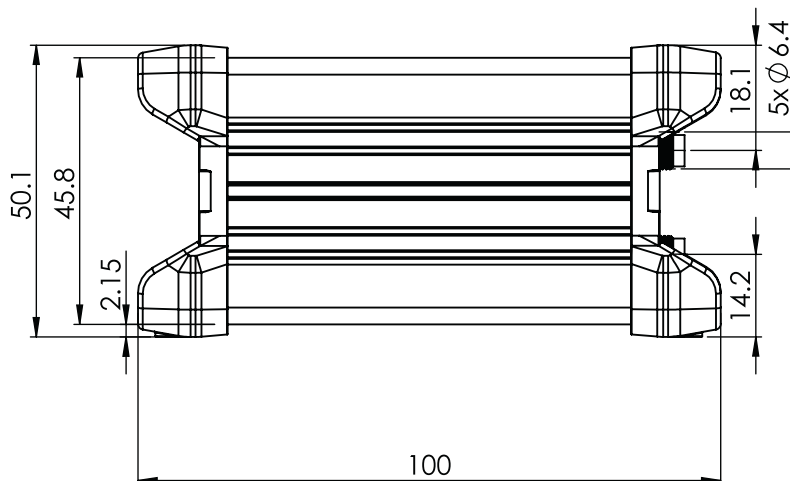
### TOP VIEW

The figure below depicts the measurements of RUT950 and its components as seen from the top:



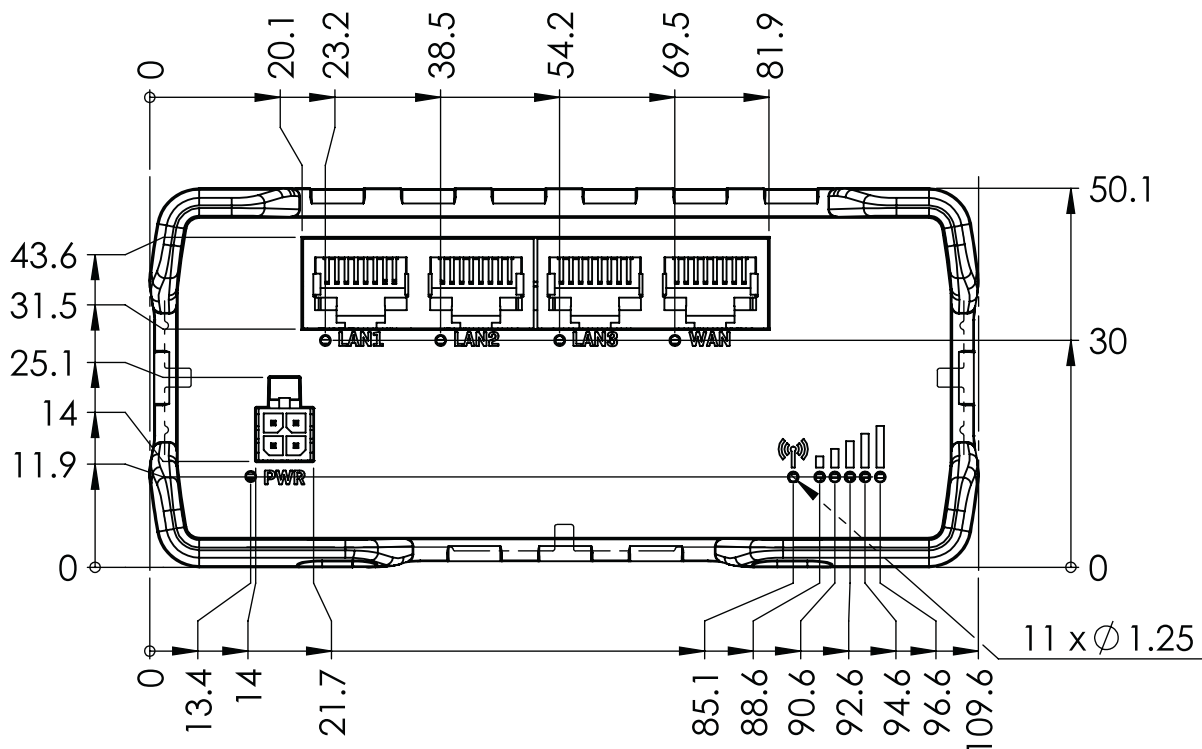
### RIGHT VIEW

The figure below depicts the measurements of RUT950 and its components as seen from the right side:



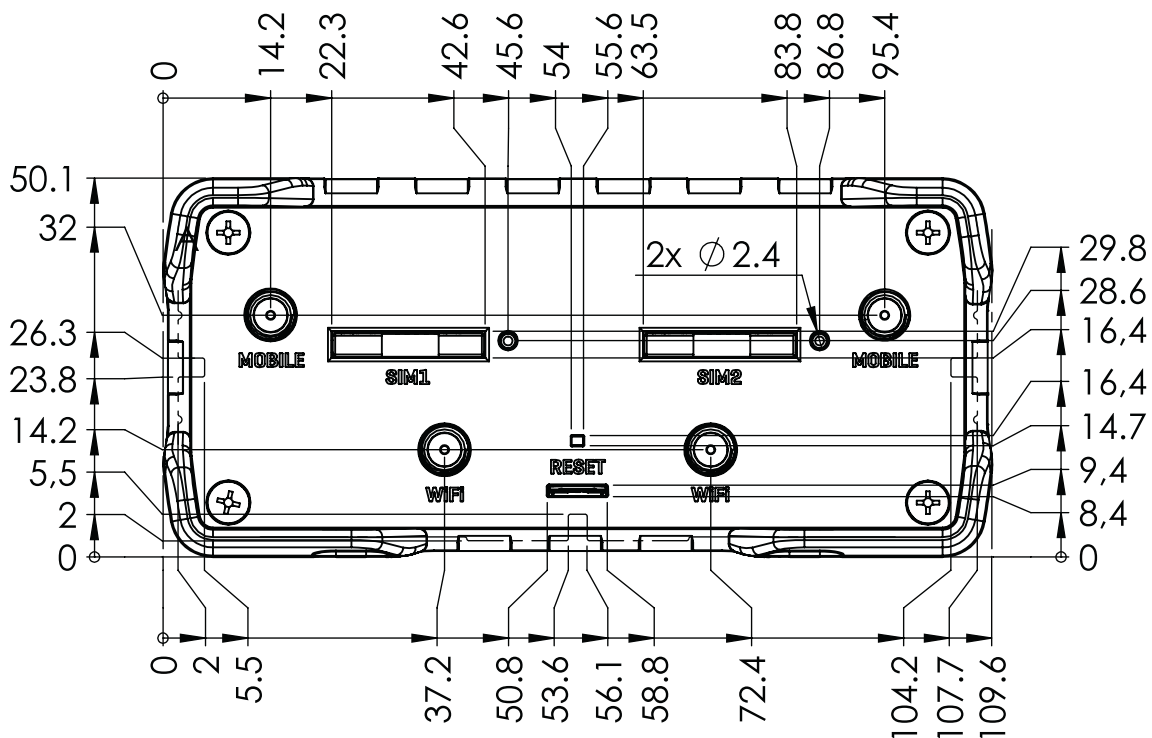
**FRONT VIEW**

The figure below depicts the measurements of RUT950 and its components as seen from the front panel side:



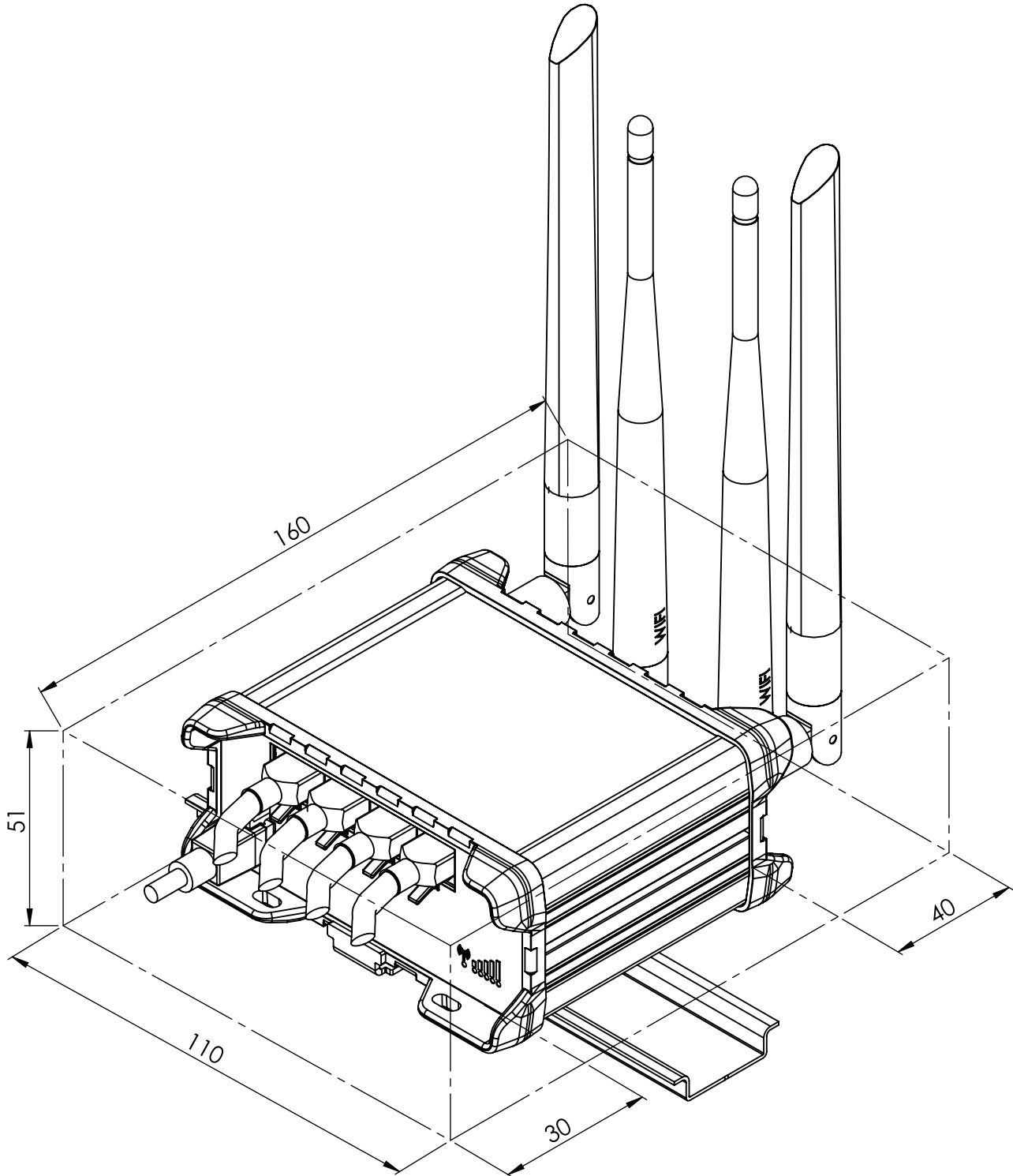
**REAR VIEW**

The figure below depicts the measurements of RUT950 and its components as seen from the back panel side:



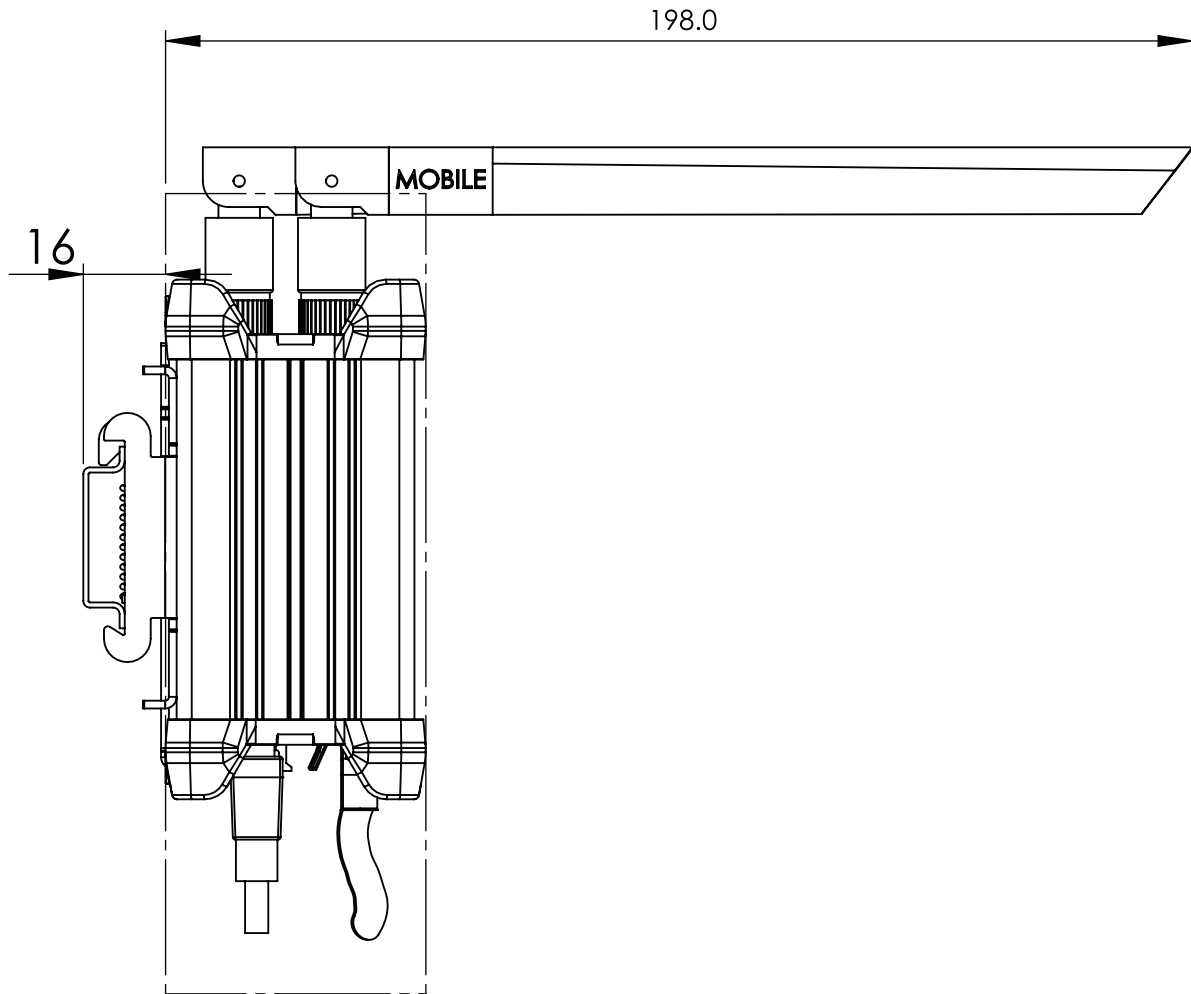
**MOUNTING SPACE REQUIREMENTS**

The figure below depicts an approximation of the device's dimensions when cables and antennas are attached:



DIN RAIL

The scheme below depicts protrusion measurements of an attached DIN Rail:



## X-ON Electronics

Largest Supplier of Electrical and Electronic Components

*Click to view similar products for [Routers category](#):*

*Click to view products by [Teltonika manufacturer](#):*

Other Similar products are found below :

[300001735271](#) [300001764007](#) [300001775073](#) [300001785803](#) [2702888](#) [SR30010110-SWH](#) [RM-5800-2J-XE](#) [RM-5800-2J-PE](#) [RM-5800-2J-PM](#) [1153078](#) [1153079](#) [TGAR-2062+-4GS-M12](#) [RM-915-2H-PU](#) [RM-915-2H-XU](#) [RM-2450-2H-XU](#) [WR31-M82A-DE1-TB](#) [E214F002S](#) [E214G001S](#) [E214G000S](#) [RM-2450-2H-PU](#) [RUT950M02580](#) [RUT950M022C0](#) [RUT950K02400](#) [RUT950J02400](#) [RUT955J034S0](#) [RUT955K034S0](#) [RUT955M03690](#) [RUT955M03590](#) [RUT24004E000](#) [RUT24004U000](#) [RUT950U025A0](#) [RUT955T03530](#) [E228HPLAS](#) [E214F00CS](#) [EX12-0004-OUS](#) [EX12-R004-OUS](#) [IX20-00G4](#) [IX20-W0G4](#) [IX20-0AG4](#) [IX20-WAG4](#) [RUTX11100400](#) [RUT24002U000](#) [RUT24001U000](#) [E215F002S](#) [ASB-6310-DXE4-GLB](#) [NWL-25-02](#) [UR2B612011](#) [UR2L610011-SWH](#) [UR2L610710](#) [BB-UR2B610011](#)