

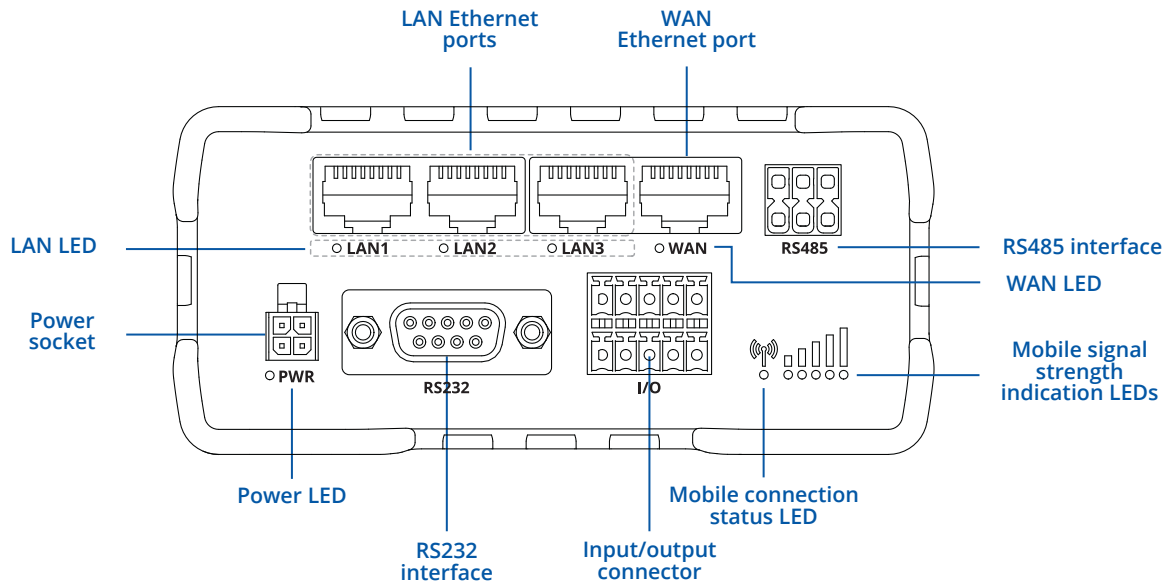


# RUT955

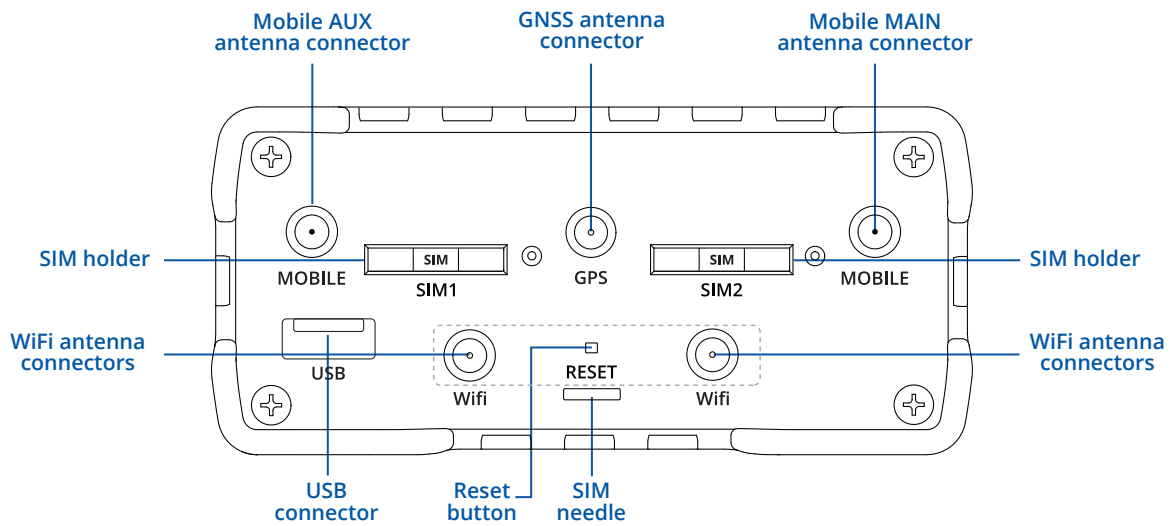


# HARDWARE

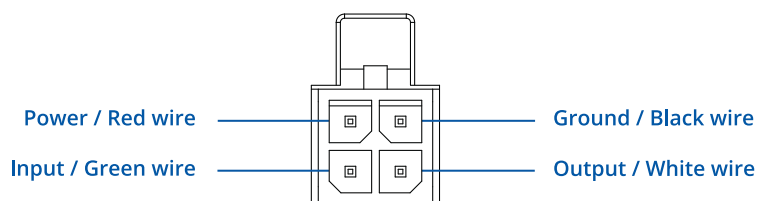
## FRONT VIEW



## BACK VIEW



## POWER SOCKET PINOUT



## FEATURES

### MOBILE

|                         |   |
|-------------------------|---|
| Mobile module           | 4G (LTE) – Cat 4 up to 150 Mbps, 3G – Up to 42 Mbps, 2G – Up to 236.8 kbps  |
| SIM switch              | 2 SIM cards, auto-switch cases: weak signal, data limit, SMS limit, roaming, no network, network denied, data connection fail, SIM idle protection      |
| Status                  | Signal strength (RSSI), SINR, RSRP, RSRQ, EC/IO, RSCP, Bytes sent/received, connected band, IMSI, ICCID   |
| SMS                     | SMS status, SMS configuration, send/read SMS via HTTP POST/GET, EMAIL to SMS, SMS to EMAIL, SMS to HTTP, SMS to SMS, scheduled SMS, SMS autoreply, SMPP |
| Black/White list        | Operator black/white list   |
| Band management         | Band lock, Used band status display   |
| APN                     | Auto APN  |
| Bridge                  | Direct connection (bridge) between mobile ISP and device on LAN   |
| Passthrough             | Router assigns its mobile WAN IP address to another device on LAN   |
| Multiple PDN (optional) | Possibility to use different PDNs for multiple network access and services (not available in standard FW)   |

### WIRELESS

|                  |   |
|------------------|---|
| Wireless mode    | IEEE 802.11b/g/n, Access Point (AP), Station (STA)  |
| WiFi security    | WPA2-Enterprise - PEAP, WPA2-PSK, WEP, WPA-EAP, WPA-PSK; AES-CCMP, TKIP, Auto Cipher modes, client separation |
| SSID             | SSID stealth mode and access control based on MAC address   |
| WiFi users       | up to 100 simultaneous connections  |
| Wireless Hotspot | Captive portal (Hotspot), internal/external Radius server, built in customizable landing page                 |

### NETWORK

|                                    |  |
|------------------------------------|--|
| Routing                            | Static routing, Dynamic routing (BGP, OSPF v2, RIP v1/v2)  |
| Network protocols                  | TCP, UDP, IPv4, IPv6, ICMP, NTP, DNS, HTTP, HTTPS, FTP, SMTP, SSL v3, TLS, ARP, VRRP, PPP, PPPoE, UPNP, SSH, DHCP, Telnet, SMPP, MQTT, Wake On Lan (WOL) |
| VoIP passthrough support           | H.323 and SIP-alg protocol NAT helpers, allowing proper routing of VoIP packets  |
| Connection monitoring              | Ping Reboot, Wget Reboot, Periodic Reboot, LCP and ICMP for link inspection  |
| Firewall                           | Port forward, traffic rules, custom rules  |
| DHCP                               | Static and dynamic IP allocation, DHCP Relay, Relayd   |
| QoS / Smart Queue Management (SQM) | Traffic priority queuing by source/destination, service, protocol or port, WMM, 802.11e  |
| DDNS                               | Supported >25 service providers, others can be configured manually   |
| Network backup                     | VRRP, Mobile, Wired and WiFi WAN options, each of which can be used as backup, using automatic Failover  |
| Load balancing                     | Balance your internet traffic over multiple WAN connections  |
| SSHFS (optional)                   | Possibility to mount remote file system via SSH protocol (not available in standard FW)  |

### SECURITY

|                      |   |
|----------------------|---|
| Authentication       | Pre-shared key, digital certificates, X.509 certificates  |
| Firewall             | Pre-configured firewall rules can be enabled via web-ui, unlimited firewall configuration via CLI; DMZ; NAT; NAT-T  |
| Attack prevention    | DDOS prevention (SYN flood protection, SSH attack prevention, HTTP/HTTPS attack prevention), port scan prevention (SYN-FIN, SYN-RST, X-mas, NULL flags, FIN scan attacks) |
| VLAN                 | Port and tag based VLAN separation  |
| Mobile quota control | Set up custom data limits for both SIM cards  |
| WEB filter           | Blacklist for blocking out unwanted websites, whitelist for specifying allowed sites only   |
| Access control       | Flexible access control of TCP, UDP, ICMP packets, MAC address filter   |

**ETHERNET**

|     |   |
|-----|---|
| WAN | 1 x WAN port (can be configured to LAN) 10/100 Mbps, compliance IEEE 802.3, IEEE 802.3u standards, supports auto MDI/MDIX |
| LAN | 3 x LAN ports, 10/100 Mbps, compliance IEEE 802.3, IEEE 802.3u standards, supports auto MDI/MDIX                          |

**VPN**

|                    |   |
|--------------------|---|
| OpenVPN            | Multiple clients and server can be running simultaneously, 12 encryption methods  |
| OpenVPN Encryption | DES-CBC, RC2-CBC, DES-EDE-CBC, DES-EDE3-CBC, DESX-CBC, BF-CBC, RC2-40-CBC, CAST5-CBC, RC2-64-CBC, AES-128-CBC, AES-192-CBC, AES-256-CBC |
| IPsec              | IKEv1, IKEv2, supports up to 4 x VPN IPsec tunnels (instances), with 5 encryption methods (DES, 3DES, AES128, AES192, AES256)           |
| GRE                | GRE tunnel  |
| PPTP, L2TP         | Client/Server services can run simultaneously   |
| Stunnel            | Proxy designed to add TLS encryption functionality to existing clients and servers without any changes in the programs' code            |
| DMVPN              | Method of building scalable IPsec VPNs  |
| SSTP               | SSTP client instance support  |
| ZeroTier           | ZeroTier VPN  |
| WireGuard          | WireGuard VPN client and server support   |

**MODBUS TCP SLAVE**

|                     |   |
|---------------------|---|
| ID range            | Respond to one ID in range [1;255] or any   |
| Allow Remote Access | Allow access through WAN  |
| Custom registers    | Modbus TCP custom register block requests, which read/write to a file inside the router, and can be used to extend Modbus TCP Slave functionality |

**MODBUS TCP MASTER**

|                        |  |
|------------------------|--|
| Supported functions    | 01, 02, 03, 04, 05, 06, 15, 16   |
| Supported data formats | 8 bit: INT, UINT; 16 bit: INT, UINT (MSB or LSB first); 32 bit: float, INT, UINT (ABCD (big-endian), DCBA (little-endian), CDAB, BADC) |

**MODBUS RTU MASTER (RS232)**

|                      |                                |
|----------------------|--------------------------------|
| Supported baud rates | From 300 to 115200             |
| Supported functions  | 01, 02, 03, 04, 05, 06, 15, 16 |
| Number of data bits  | From 5 to 8                    |
| Number of stop bits  | 1 or 2                         |
| Parity               | None, Even, Odd                |
| Flow                 | None, RTS/CTS, Xon/Xoff        |
| Duplex               | Full duplex                    |

**MODBUS RTU MASTER (RS485)**

|                      |                                |
|----------------------|--------------------------------|
| Supported baud rates | From 300 to 115200             |
| Supported functions  | 01, 02, 03, 04, 05, 06, 15, 16 |
| Number of data bits  | 8                              |
| Number of stop bits  | 1                              |
| Parity               | None, Even, Odd                |
| Flow                 | None, Xon/Xoff                 |
| Duplex               | Half duplex                    |

**MODBUS DATA TO SERVER**

|          |                           |
|----------|---------------------------|
| Protocol | HTTP(S), MQTT, Azure MQTT |
|----------|---------------------------|

## MQTT GATEWAY

|              |   |
|--------------|---|
| MQTT gateway | Allows sending commands and receiving data from Modbus Master through MQTT broker |
|--------------|---|

## MONITORING & MANAGEMENT

|          |  |
|----------|--|
| WEB UI   | HTTP/HTTPS, status, configuration, FW update, CLI, troubleshoot, event log, system log, kernel log |
| FOTA     | Firmware update from server, automatic notification  |
| SSH      | SSH (v1, v2)   |
| SMS      | SMS status, SMS configuration, send/read SMS via HTTP POST/GET                                     |
| CALL     | Reboot, Status, WiFi on/off, Mobile data on/off, Output on/off, answer/hang-up with a timer        |
| TR-069   | OpenACS, EasyCwmp, ACSLite, tGem, LibreACS, GenieACS, FreeACS, LibCWMP, Friendly tech, AVSystem    |
| MQTT     | MQTT Broker, MQTT publisher  |
| SNMP     | SNMP (v1, v2, v3), SNMP trap   |
| JSON-RPC | Management API over HTTP/HTTPS   |
| MODBUS   | MODBUS TCP status/control  |
| RMS      | Teltonika Remote Management System (RMS)   |

## IoT PLATFORMS

|                  |   |
|------------------|---|
| Clouds of things | Allows monitoring of: Device data, Mobile data, Network info, Availability  |
| ThingWorx        | Allows monitoring of: WAN Type, WAN IP Mobile Operator Name, Mobile Signal Strength, Mobile Network Type  |
| Cumulocity       | Allows monitoring of: Device Model, Revision and Serial Number, Mobile Cell ID, ICCID, IMEI, Connection Type, Operator, Signal Strength, WAN Type and IP  |
| Azure IoT Hub    | Can send device IP, Number of bytes send/received/ 3G connection state, Network link state, IMEI, ICCID, Model, Manufacturer, Serial, Revision, IMSI, Sim State, PIN state, GSM signal, WCDMA RSCP WCDMA EC/IO, LTE RSRP, LTE SINR, LTE RSRQ, CELL ID, Operator, Operator number, Connection type, Temperature, PIN count to Azure IoT Hub server |

## SYSTEM CHARACTERISTICS

|               |                                  |
|---------------|----------------------------------|
| CPU           | Atheros Wasp, MIPS 74Kc, 550 MHz |
| RAM           | 128 MB, DDR2                     |
| FLASH storage | 16 MB, SPI Flash                 |

## FIRMWARE / CONFIGURATION

|               |  |
|---------------|--|
| WEB UI        | Update FW from file, check FW on server, configuration profiles, configuration backup, restore point |
| FOTA          | Update FW/configuration from server  |
| RMS           | Update FW/configuration for multiple devices   |
| Keep settings | Update FW without losing current configuration   |

## FIRMWARE CUSTOMIZATION

|                     |   |
|---------------------|---|
| Operating system    | RutOS (OpenWrt based Linux OS)              |
| Supported languages | Busybox shell, Lua, C, C++                  |
| Development tools   | SDK package with build environment provided |

## SERIAL

|                  |   |
|------------------|---|
| RS232            | DB9 connector, full RS232 (with RTS, CTS)                                   |
| RS485            | RS485 Full Duplex (4 wires) and Half Duplex (2 wires). 300-115200 baud rate |
| Serial functions | Console, Serial over IP, Modem, Modbus gateway, NTRIP Client                |

**LOCATION TRACKING**

|                 |  |
|-----------------|--|
| GNSS            | GPS, GLONASS, BeiDou, Galileo and QZSS                             |
| Coordinates     | GNSS coordinates via WebUI, SMS, TAVL, RMS                         |
| NMEA            | NMEA 0183  |
| NTRIP           | NTRIP protocol (Networked Transport of RTCM via Internet Protocol) |
| Server software | Supported server software TAVL, RMS                                |
| Geofencing      | Configurable multiple geofence zones                               |

**INPUT/OUTPUT**

|        |   |
|--------|---|
| Input  | 1 x digital input (0 - 3 V), 1 x digital galvanically isolated input (0 - 30 V), 1 x analog input (0 - 24 V), 1 x Digital non-isolated input (on 4 pin power connector) |
| Output | 1 x digital open collector output (30 V, 250 mA), 1 x SPST relay output (40 V, 4 A), 1 x Digital open collector output (30 V, 300 mA, on 4 pin power connector)         |
| Events | SMS, EMAIL, RMS   |

**USB**

|                  |   |
|------------------|---|
| Data rate        | USB 2.0   |
| Applications     | Samba share, USB-to-serial  |
| External devices | Possibility to connect external HDD, flash drive, additional modem, printer |
| Storage formats  | FAT, FAT32, NTFS  |

**SD CARD**

|               |             |
|---------------|-------------|
| Physical size | Micro SD    |
| Applications  | Samba share |
| Capacity      | Up to 32 GB |

**POWER**

|                     |  |
|---------------------|--|
| Connector           | 4 pin industrial DC power socket   |
| Input voltage range | 9 – 30 VDC reverse polarity protection; surge protection >31 VDC 10us max  |
| PoE (passive)       | Passive PoE over spare pairs. Possibility to power up through LAN port, not compatible with IEEE802.3af, 802.3at and 802.3bt standards |
| Power consumption   | < 2 W idle, < 7 W Max  |

**PHYSICAL INTERFACES (PORTS, LEDS, ANTENNAS, BUTTONS, SIM)**

|              |   |
|--------------|---|
| Ethernet     | 4 x RJ45 ports, 10/100 Mbps   |
| I/O's        | 2 x Inputs and 2 x Outputs on 10 pin industrial socket, 1 x Digital input and 1 x Digital output on 4 pin power connector (available from HW revision 1600) |
| Status LEDs  | 1 x bi-color connection status LED, 5 x connection strength LEDs, 4 x LAN status LEDs, 1 x Power LED  |
| SIM          | 2 x SIM slots (Mini SIM - 2FF), 1.8 V/3 V, external SIM holders, eSIM (Optional)  |
| Power        | 1 x 4 pin power connector   |
| Input/output | 1x 10 pin industrial socket for inputs/outputs  |
| Antennas     | 2 x SMA for LTE, 2 x RP-SMA for WiFi, 1 x SMA for GNSS  |
| USB          | 1 x USB A port for external devices   |
| SD card      | Micro SD card slot  |
| RS232        | 1 x DB9 socket  |
| RS485        | 1 x 6 pin industrial socket   |
| Reset        | Reboot/User default reset/Factory reset button  |

**PHYSICAL SPECIFICATION**

|                        |  |
|------------------------|--|
| Casing material        | Aluminium housing, plastic panels                              |
| Dimensions (W x H x D) | 110 x 50 x 100 mm  |
| Weight                 | 287 g  |
| Mounting options       | DIN rail (can be mounted on two sides), flat surface placement |

**OPERATING ENVIRONMENT**

|                           |                           |
|---------------------------|---------------------------|
| Operating temperature     | -40 °C to 75 °C           |
| Operating humidity        | 10% to 90% non-condensing |
| Ingress Protection Rating | IP30                      |

**REGULATORY & TYPE APPROVALS**

|            |   |
|------------|---|
| Regulatory | CE/RED, FCC, IC/ISED, EAC, RCM, PTCRB, RoHS, WEEE, Wi-Fi Alliance CE/RED, FCC, IC, PTCRB, RCM, EAC, CCC, RoHS, WEEE, IP rating, Anatel, GCF, REACH, E-mark, DNV GL, ECE Regulation 118, Morocco ANRT, Thailand NBTC, Ukraine UCRF, SDPPI (POSTEL), WiFi Certified, Modbus Conformance |
| Operator   | AT&T, Verizon   |
| Regulatory | ECE R10 (E-mark)<br>ECE R118  |

**EMI IMMUNITY**

|                                 |  |
|---------------------------------|--|
| Standards                       | Draft EN 301 489-1 V2.2.0, Draft EN 301 489-17 V3.2.0, Draft EN 301 489-19 V2.1.0, Draft EN 301 489-52 V1.1.0<br>FCC 47 CFR Part 15B (2017), ANSI C63.4 (2014) |
| ESD                             | EN61000-4-2:2009   |
| RS                              | EN 61000-4-3:2006 + A1:2008 + A2:2010  |
| EFT                             | EN 61000-4-4:2012  |
| Surge immunity (AC Power Line)  | EN 61000-4-5:2006  |
| Surge immunity (Ethernet ports) | EN 61000-4-5:2014, clause 7.1 of ITU-T K21   |
| Transient and surges            | ISO 7632-2:2004  |
| CS                              | EN 61000-4-6:2009  |
| DIP                             | EN 61000-4-11:2004   |

**RF**

|           |  |
|-----------|--|
| Standards | EN 300 328 V2.1.1, EN 301 511 V12.5.1, EN 301 908-1 V11.1.1, EN 301 908-2 V11.1.1, EN 301 908-13 V11.1.1, EN 303 413 V1.1.0<br>AS/CA S042.1:2018, AS/ACIF S042.3:2005, AS/CA S042.4:2018, AS/NZS 4268:2017<br>FCC 47 CFR Part 15C (2017), FCC 47 CFR Part 2 (2017), FCC 47 CFR Part 22H (2017), FCC 47 CFR Part 24E (2017), FCC 47 CFR Part 27C (2017)<br>RSS-Gen Issue 4 (2014), RSS-247 Issue 2 (2017), RSS-132 Issue 3 (2013), RSS-133 Issue 6 (2013), RSS-139 Issue 3, RSS-130 Issue 1 |
|-----------|--|

**SAFETY**

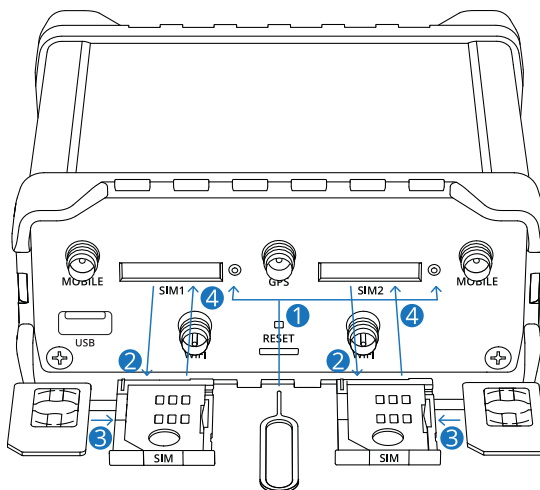
|           |  |
|-----------|--|
| Standards | IEC 60950-1:2005 (Second Edition) + Am 1:2009 + Am 2:2013<br>AS/NZS 60950.1:2015<br>EN 50665:2017, EN 62311:2008<br>FCC 47 CFR Part 1 1.1310<br>RSS-102 Issue 5 (2015) |
|-----------|--|

**ENVIRONMENTAL**

|                 |   |
|-----------------|---|
| Ingress Protect | LST EN 60529:1999+A1+AC:2002                            |
| Vibration       | Class guideline-DNVGL-CG-0339:2016<br>EN 60068-2-6:2008 |

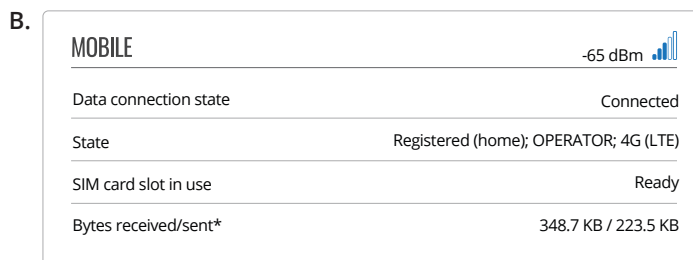
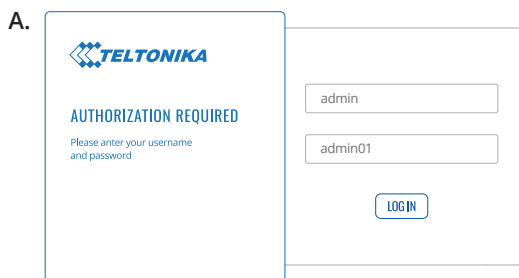
## HARDWARE INSTALLATION

1. Push the SIM holder button with the SIM needle.
2. Pull out the SIM holder.
3. Insert your SIM card into the SIM holder.
4. Slide the SIM holder back into the router.
5. Attach all antennas.
6. Connect the power adapter to the socket on the front of the device. Then plug the other end of the power adapter into a power outlet.
7. Connect to the device wirelessly using SSID and password provided on the device information label or use an Ethernet cable connected to LAN port.



### LOGIN TO DEVICE

1. To enter the router's Web interface (WebUI), type <http://192.168.1.1> into the URL field of your Internet browser.
2. Use login information shown in image A when prompted for authentication.
3. After you log in, you will be prompted to change your password for security reasons. The new password must contain at least 8 characters, including at least one uppercase letter, one lowercase letter, and one digit. This step is mandatory, and **you will not be able to interact with the router's WebUI before you change the password.**
4. When you change the router's password, the **Configuration Wizard** will start. The **Configuration Wizard** is a tool used to set up some of the router's main operating parameters.
5. Go to the **Overview** page and pay attention to the **Signal Strength** indication (image B). To maximize the cellular performance try adjusting the antennas or changing the location of your device to achieve the best signal conditions.



### TECHNICAL INFORMATION

| Radio specifications                |   |
|-------------------------------------|---|
| RF technologies                     | 2G, 3G, 4G, WiFi, GNSS  |
| Max RF power                        | 33 dBm@GSM, 24 dBm@WCDMA, 23 dBm@LTE, 20 dBm@ WiFi  |
| Bundled accessories specifications* |   |
| Power adapter                       | Input: 0.4A@100-240VAC, Output: 9VDC, 1A, 4-pin plug  |
| Mobile antenna                      | 698~960/1710~2690 MHz, 50 Ω, VSWR<3, gain** 3 dBi, omnidirectional, SMA male connector            |
| WiFi antenna                        | 2400~2483.5 MHz, 50 Ω, VSWR<2, gain** 5 dBi, omnidirectional, RP-SMA male connector               |
| GNSS antenna                        | 1575.42~1602 MHz, 2.2~5 VDC, VSWR<1.5, gain** 28 dB (typ.), RHCP polarization, SMA male connector |

\*Order code dependent.

\*\*Higher gain antenna can be connected to compensate for cable attenuation when a cable is used. The user is responsible for the compliance with the legal regulations.






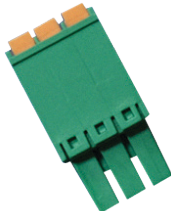
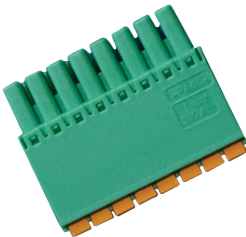




## WHAT'S IN THE BOX?

### STANDARD PACKAGE CONTAINS\*

- Router RUT955
- 9 W PSU
- 2 x LTE antennas (magnetic mount, SMA male, 3 m cable)
- 2 x WiFi antennas (magnetic mount, RP-SMA male, 1.5 m cable)
- GNSS antenna (adhesive , SMA male, 3 m cable)
- RS485 connector block
- I/O connector block
- Ethernet cable (1.5 m)
- SIM Adapter kit
- RMS Flyer
- QSG (Quick Start Guide)
- Packaging box



|  |   |   |
|--|---|---|
|  <p><b>ROUTER RUT955</b></p>   |  <p><b>9 W PSU</b></p>  |  <p><b>2 X LTE ANTENNAS (MAGNETIC MOUNT, SMA MALE, 3 M CABLE)</b></p> |
|  <p><b>2 X WIFI ANTENNAS (MAGNETIC MOUNT, RP-SMA MALE, 1.5 M CABLE)</b></p> |  <p><b>GNSS ANTENNA (ADHESIVE , SMA MALE, 3 M CABLE)</b></p> |  <p><b>RS485 CONNECTOR BLOCK</b></p>                                 |
|  <p><b>I/O CONNECTOR BLOCK</b></p>  |  <p><b>ETHERNET CABLE (1.5 M)</b></p>                        |  <p><b>SIM ADAPTER KIT</b></p>                                       |

\* For all standard order codes standard package contents are the same, except for PSU.

## STANDARD ORDER CODES

| PRODUCT CODE  | HS CODE | HTS CODE   | PACKAGE CONTAINS               |
|---------------|---------|------------|--------------------------------|
| RUT955 T033B0 | 851762  | 8517.62.00 | Standard package with Euro PSU |
| RUT955 K034S0 | 851762  | 8517.62.00 | Standard package with US PSU   |
| RUT955 J034S0 | 851762  | 8517.62.00 | Standard package with US PSU   |
| RUT955 W03660 | 851762  | 8517.62.00 | Standard package with US PSU   |

For more information on all available packaging options – please contact us directly.

## AVAILABLE VERSIONS

| PRODUCT CODE  | REGION (OPERATOR)   | FREQUENCY   |
|---------------|---|---|
| RUT955 0***** | Europe, the Middle East, Africa                                   | <ul style="list-style-type: none"> <li>● 4G (LTE-FDD): B1, B3, B5, B7, B8, B20</li> <li>● 4G (LTE-TDD): B40</li> <li>● 3G: B1, B5, B8</li> <li>● 2G: B3, B8</li> </ul>  |
| RUT955 T***** | Europe, the Middle East, Africa, Korea, Thailand, India, Malaysia | <ul style="list-style-type: none"> <li>● 4G (LTE-FDD): B1, B3, B7, B8, B20, B28A</li> <li>● 4G (LTE-TDD): B38, B40, B41</li> <li>● 3G: B1, B8</li> <li>● 2G: B3, B8</li> </ul>  |
| RUT955 H***** | Europe, the Middle East, Africa, Korea, Thailand, India, Malaysia | <ul style="list-style-type: none"> <li>● 4G (LTE-FDD): B1, B3, B5, B7, B8, B20</li> <li>● 4G (LTE-TDD): B38, B40, B41</li> <li>● 3G: B1, B5, B8</li> <li>● 2G: B3, B8</li> </ul>  |
| RUT955 J***** | North America (AT&T, Bell, T-Mobile) <sup>1</sup>                 | <ul style="list-style-type: none"> <li>● 4G (LTE-FDD): B2, B4, B12</li> <li>● 3G: B2, B4, B5</li> </ul>   |
| RUT955 K***** | North America (Verizon)   | <ul style="list-style-type: none"> <li>● 4G (LTE-FDD): B4, B13</li> </ul>   |
| RUT955 W***** | North America (AT&T/ Verizon/ T-mobile)                           | <ul style="list-style-type: none"> <li>● 4G (LTE-FDD): B2/B4/B5/B12/B13/B14/B66/B71</li> <li>● WCDMA: B2/B4/B5</li> </ul>   |
| RUT955 M***** | South America, Australia, New Zealand, Taiwan                     | <ul style="list-style-type: none"> <li>● 4G (LTE-FDD): B1, B2, B3, B4, B5, B7, B8, B28</li> <li>● 4G (LTE-TDD): B40</li> <li>● 3G: B1, B2, B5, B8</li> <li>● 2G: B2, B3, B5, B8</li> </ul>  |
| RUT955 P***** | Japan   | <ul style="list-style-type: none"> <li>● 4G (LTE-FDD): B1, B3, B8, B18, B19, B26</li> <li>● 4G (LTE-TDD): B41</li> <li>● 3G: B1, B6, B8, B19</li> </ul>   |
| RUT955 V***** | Global  | <ul style="list-style-type: none"> <li>● 4G (LTE-FDD): B1, B2, B3, B4, B5, B7, B8, B12, B13, B18, B19, B20, B25, B26, B28</li> <li>● 4G (LTE-TDD): B38, B39, B40, B41</li> <li>● 3G: B1, B2, B4, B5, B6, B8, B19</li> <li>● 2G: B2, B3, B5, B8</li> </ul> |
| RUT955 Z***** | Europe, the Middle East, Africa, Korea, Thailand                  | <ul style="list-style-type: none"> <li>● 4G (LTE-FDD): B1, B3, B7, B8, B20, B28A</li> <li>● 4G (LTE-TDD): B38, B40, B41</li> <li>● 3G: B1, B8</li> <li>● 2G: B3, B8</li> </ul>  |

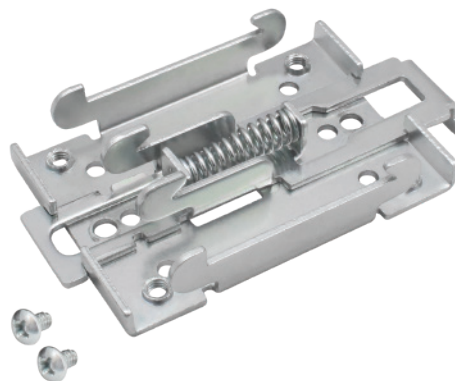
The price and lead-times for region (operator) specific versions may vary. For more information please contact us.

1 - Router is not certified on Bell, T-Mobile network.

## MOUNTING OPTIONS

### DIN RAIL KIT

| Parameter         | Value                                   |
|-------------------|---|
| Mounting standard | 35mm DIN Rail                           |
| Material          | Low carbon steel                        |
| Weight            | 57g                                     |
| Screws included   | Philips Pan Head screw #6-32×3/16, 2pcs |
| Dimensions        | 82 mm x 46 mm x 20 mm                   |
| RoHS Compliant    | V                                       |



#### DIN RAIL KIT

- DIN Rail adapter
- Philips Pan Head screw #6-32×3/16, 2pcs for RUT2xx/RUT9xx

#### ORDER CODE

PR5MEC00

#### HS CODE

73269098

#### HTS CODE

7326.90.98

For more information on all available packaging options – please contact us directly.

### COMPACT DIN RAIL KIT

| Parameter         | Value                                   |
|-------------------|---|
| Mounting standard | 35mm DIN Rail                           |
| Material          | ABS + PC plastic                        |
| Weight            | 6.5 g                                   |
| Screws included   | Philips Pan Head screw #6-32×3/16, 2pcs |
| Dimensions        | 70 mm x 25 mm x 14,5 mm                 |
| RoHS Compliant    | V                                       |



#### DIN RAIL KIT

- Compact plastic DIN Rail adapter (70x25x14,5mm)
- Philips Pan Head screw #6-32×3/16, 2pcs

#### ORDER CODE

PR5MEC11

#### HS CODE

73269098

#### HTS CODE

7326.90.98

For more information on all available packaging options – please contact us directly.

### SURFACE MOUNTING KIT

| Parameter         | Value                                   |
|-------------------|---|
| Mounting standard | Flat surface mount                      |
| Material          | ABS + PC plastic                        |
| Weight            | 2x5 g                                   |
| Screws included   | Philips Pan Head screw #6-32×3/16, 2pcs |
| Dimensions        | 25 mm x 48 mm x 7.5 mm                  |
| RoHS Compliant    | V                                       |



#### DIN RAIL KIT

- Surface mounting kit
- Philips Pan Head screw #6-32×3/16, 2pcs

#### ORDER CODE

PR5MEC12

#### HS CODE

73269098

#### HTS CODE

7326.90.98

For more information on all available packaging options – please contact us directly.

# RUT955 SPATIAL MEASUREMENTS & WEIGHT

## MAIN MEASUREMENTS

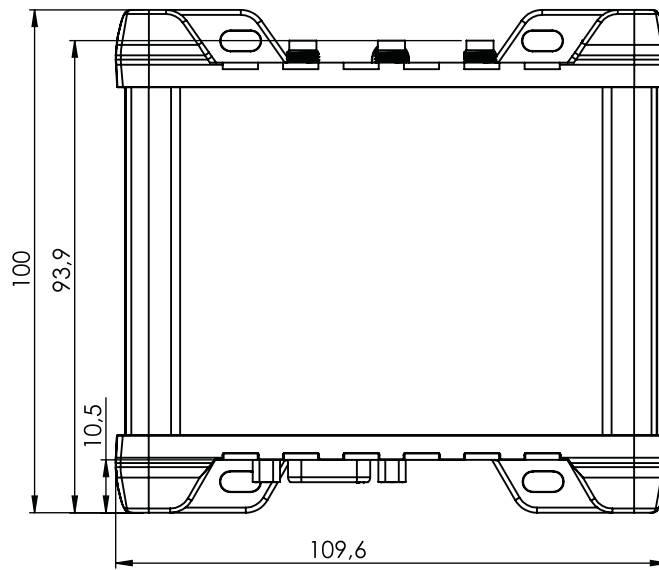
W x H x D dimensions for RUT955:

|                  |                |
|------------------|----------------|
| Device housing*: | 110 x 50 x 100 |
| Box:             | 355 x 60 x 175 |

\*Housing measurements are presented without antenna connectors and screws; for measurements of other device elements look to the sections below.

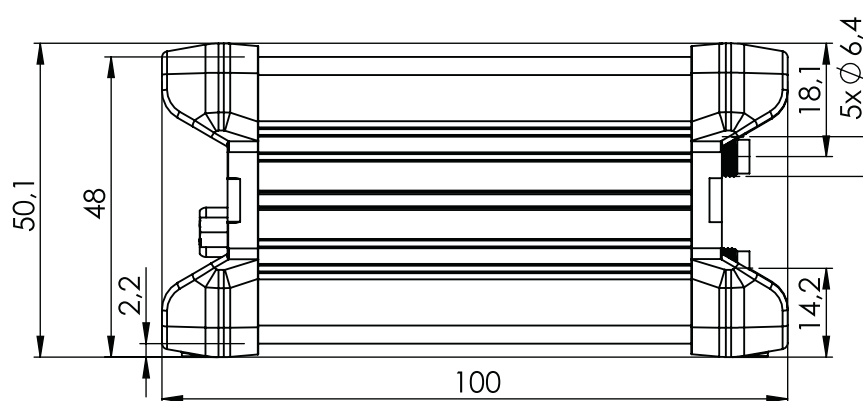
## TOP VIEW

The figure below depicts the measurements of RUT955 and its components as seen from the top:



## RIGHT VIEW

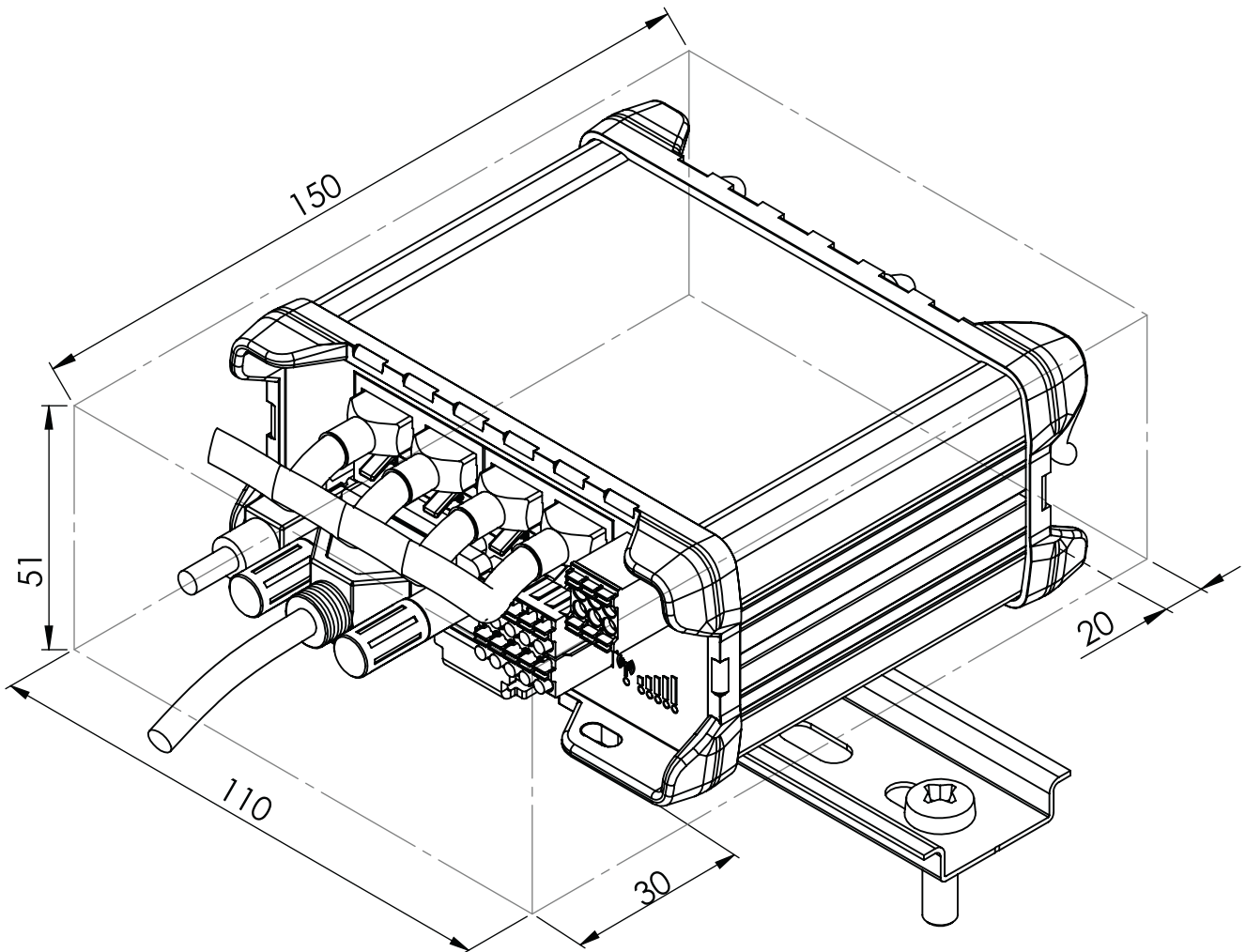
The figure below depicts the measurements of RUT955 and its components as seen from the right side:





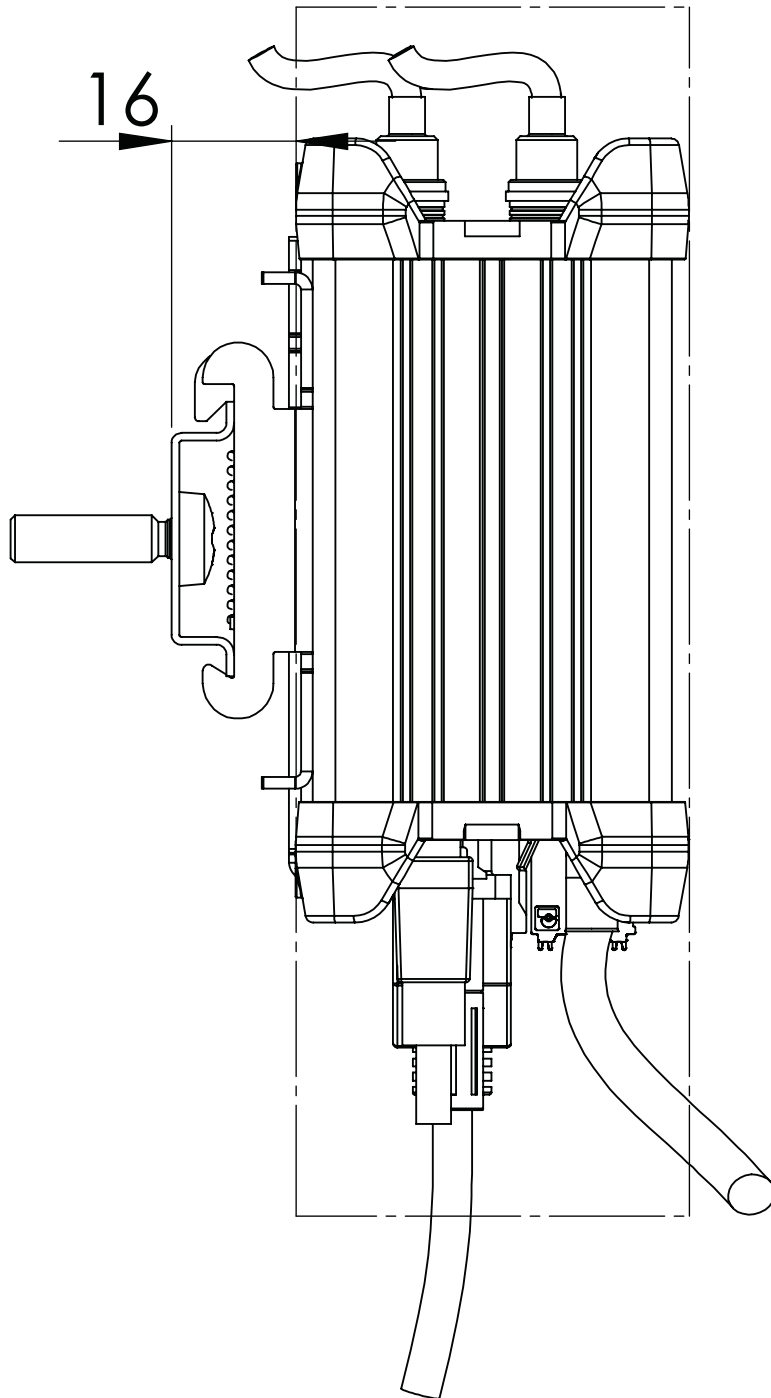
**MOUNTING SPACE REQUIREMENTS**

The figure below depicts an approximation of the device's dimensions when cables and antennas are attached:



DIN RAIL

The scheme below depicts protrusion measurements of an attached DIN Rail:



## X-ON Electronics

Largest Supplier of Electrical and Electronic Components

*Click to view similar products for [Routers category](#):*

*Click to view products by [Teltonika manufacturer](#):*

Other Similar products are found below :

[LR54-AA401](#) [WR44-L900-AE1-RF](#) [WR31-U92A-DE1-TB](#) [SR30500020-SWH](#) [SR30510120](#) [SR30508010](#) [SR30500410](#) [UR2B612011](#)  
[UR2L610011-SWH](#) [UR2L610710](#) [BB-ERT311](#) [BB-UR2B610011](#) [BB-UR2B610021](#) [SL30210110-SWH](#) [SL30210110-XSWH](#) [SR30010110-](#)  
[SWH](#) [SR30510420-SWH](#) [SR30500420-SWH](#) [SR30518120-SWH](#) [XR2F000711](#) [ASB-631R-DX06-OUS](#) [TX64-A121](#) [X2E-Z1R-E1-W](#) [X2E-](#)  
[Z1R-W1-W](#) [X2E-Z1R-E1-A](#) [E224HPL2S](#) [1153078](#) [1153079](#) [2702529](#) [RUT24006E000](#) [RUT950U022C0](#) [RUTX09000000](#) [RUTX11000000](#)  
[FS-BENG-C](#) [FS-Router-BAC2](#) [IX14-M601](#) [RUT300000000](#) [RUT360000000](#) [RUT950V022C0](#) [RUT950K02400](#) [RUT950U025A0](#)  
[RUT955M036V0](#) [RUT955T033B0](#) [RUT955J034S0](#) [RUT955M03690](#) [RUT955T03530](#) [RUTX12000000](#) [WR11-C100-DE1-SU](#) [WR21-L82B-](#)  
[DE1-SU](#) [WLNN-ER-DP551](#)