

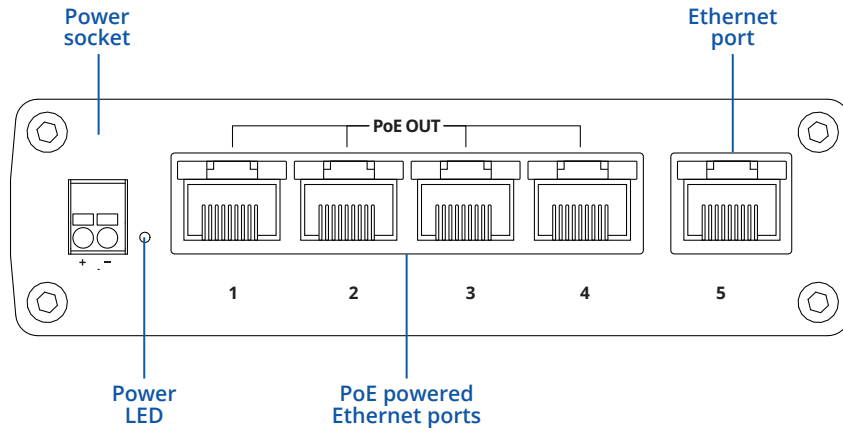


# TSW101

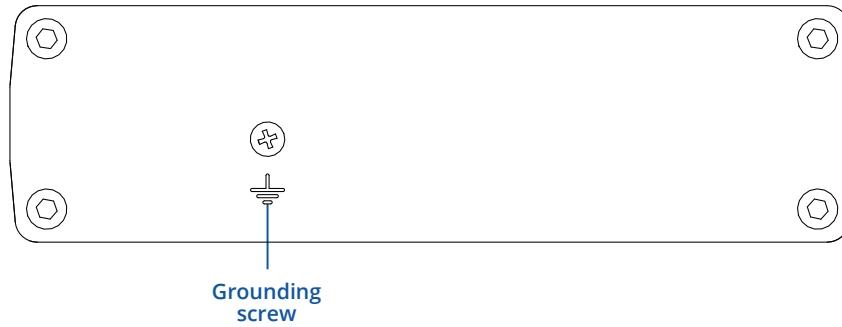


# HARDWARE

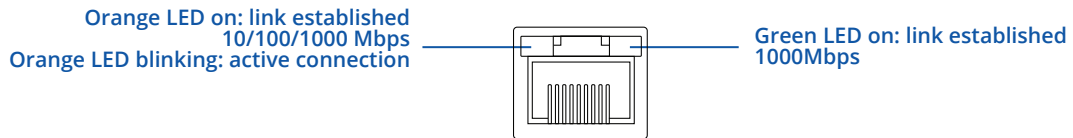
## FRONT VIEW



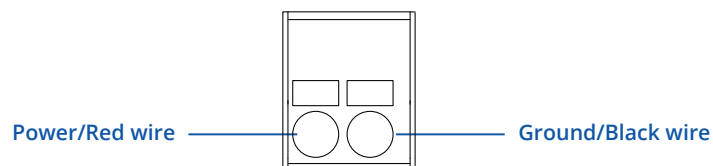
## BACK VIEW



## RJ45 LED MEANING



## POWER SOCKET PINOUT



# FEATURES

## ETHERNET

LAN	5 x ETH ports, 10/100/1000 Mbps, supports auto MDI/MDIX crossover
IEEE 802.3 series standards	802.3i, 802.3u, 802.3ab, 802.3x, 802.3az

## POE

PoE ports	Port 1- 4
PoE standards	802.3af and 802.3at
PoE Max Power per Port (at PSE)	30 W
Total PoE Power Budget (at PSE)	60 W
Maximum Ethernet cable length	100 m

## PERFORMANCE SPECIFICATIONS

Bandwidth (Non-blocking)	10 Gbps
Packer buffer	128 KB
MAC address table size	2K entries
Jumbo frame support	9216 bytes

## POWER

Connector	2-pin industrial DC power socket
Input voltage range	9 – 30 VDC
PoE-out input voltage range	9 – 30 VDC
Power consumption	Idle: 0.64 W / Max: 2.31 W / PoE Max: 60 W

## PHYSICAL INTERFACES

Ethernet	5 x RJ45 ports, 10/100/1000 Mbps
Status LEDs	1 x Power LED, 10 x LAN status LEDs
Power	1 x 2-pin industrial DC power socket
Other	1 x Grounding screw

## PHYSICAL SPECIFICATION

Casing material	Aluminum housing
Dimensions (W x H x D)	115 x 32 x 95 mm
Weight	384 g
Mounting options	DIN rail or wall mounting (additional kit needed), flat surface placement

## OPERATING ENVIRONMENT

Operating temperature	-40 °C to 75 °C
Operating humidity	10% to 90% non-condensing
Ingress Protection Rating	IP30

## REGULATORY & TYPE APPROVALS

Operating temperature	CE, REACH, RoHS, WEEE TSW101 CE TSW101 UKCA TSW101 FCC TSW101 IC TSW101 CB TSW101 RCM E-Mark
-----------------------	---

## SAFETY

Standards	EN IEC 62368-1:2020+A11:2020
-----------	------------------------------

## WHAT'S IN THE BOX?

### STANDARD PACKAGE CONTAINS

- TSW101
- QSG (Quick Start Guide)
- Packaging box



## STANDARD ORDER CODES

PRODUCT CODE	HS CODE	HTS CODE	PACKAGE CONTAINS
TSW101 000000	851762	8517.62.00	Standard package

For more information on all available packaging options – please contact us directly.

## TSW101 SPATIAL MEASUREMENTS & WEIGHT

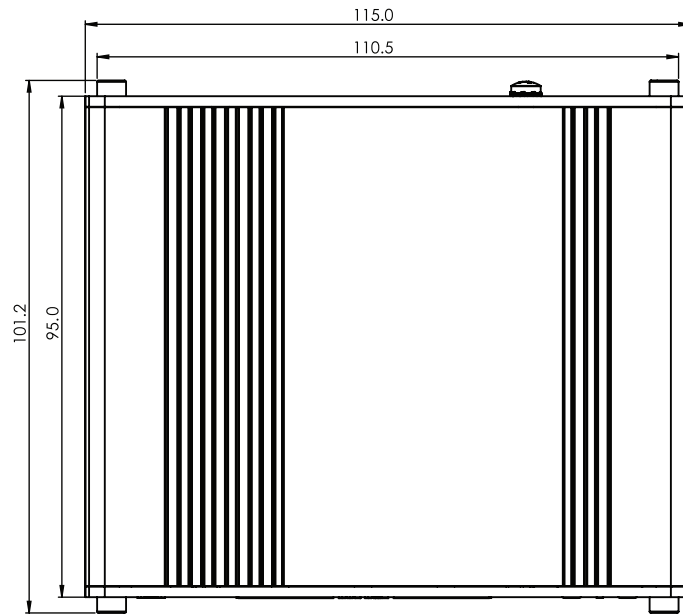
### MAIN MEASUREMENTS

W x H x D dimensions for TSW101:

Device housing:	115 x 32 x 95 mm
Box:	173 x 71 x 148 mm

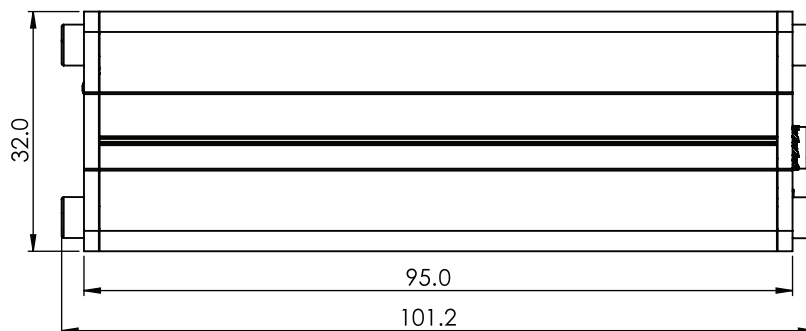
### TOP VIEW

The figure below depicts the measurements of TSW101 and its components as seen from the top:



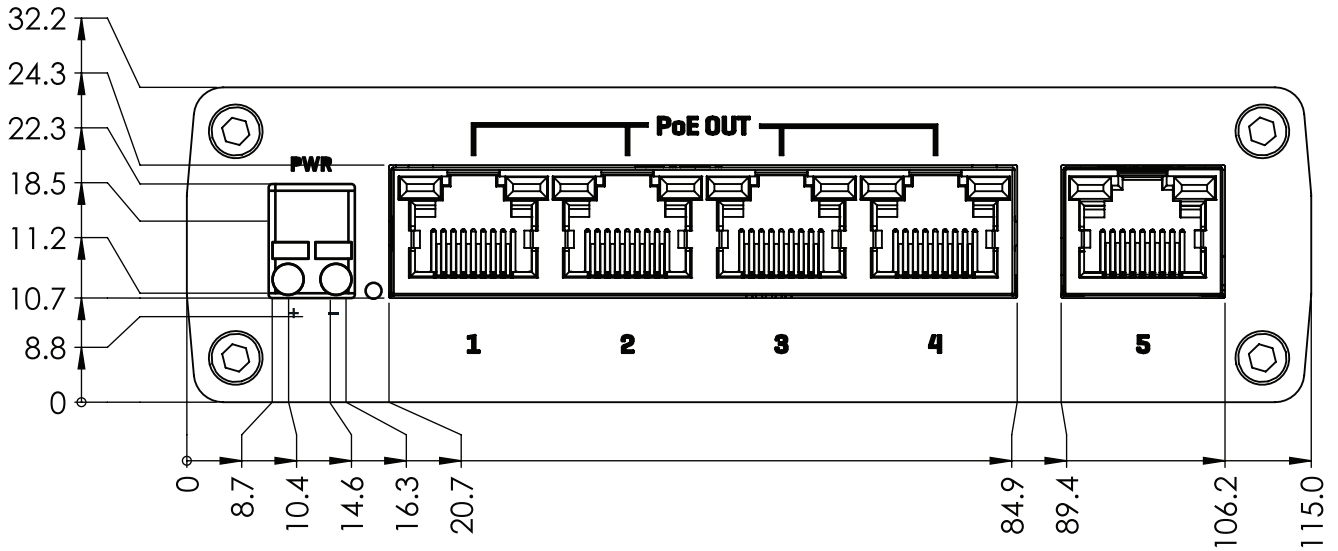
### RIGHT VIEW

The figure below depicts the measurements of TSW101 and its components as seen from the right side:



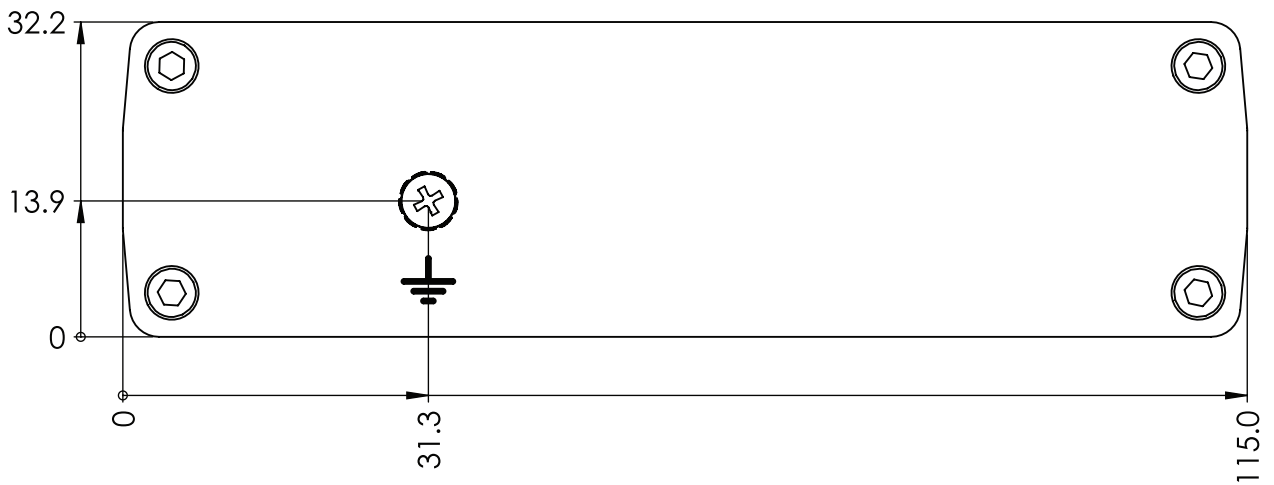
**FRONT VIEW**

The figure below depicts the measurements of TSW101 and its components as seen from the front panel side:



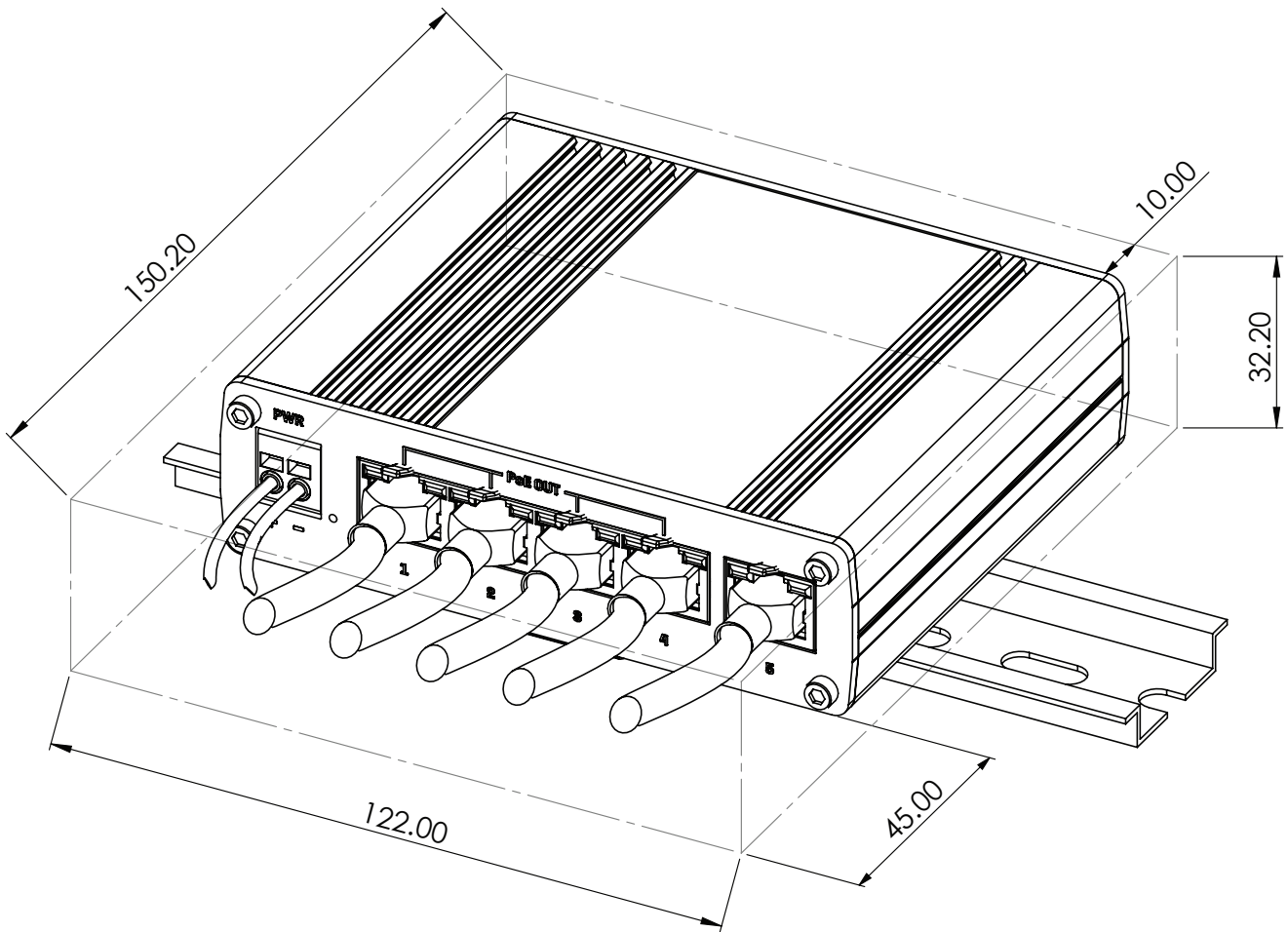
**REAR VIEW**

The figure below depicts the measurements of TSW101 and its components as seen from the back panel side:



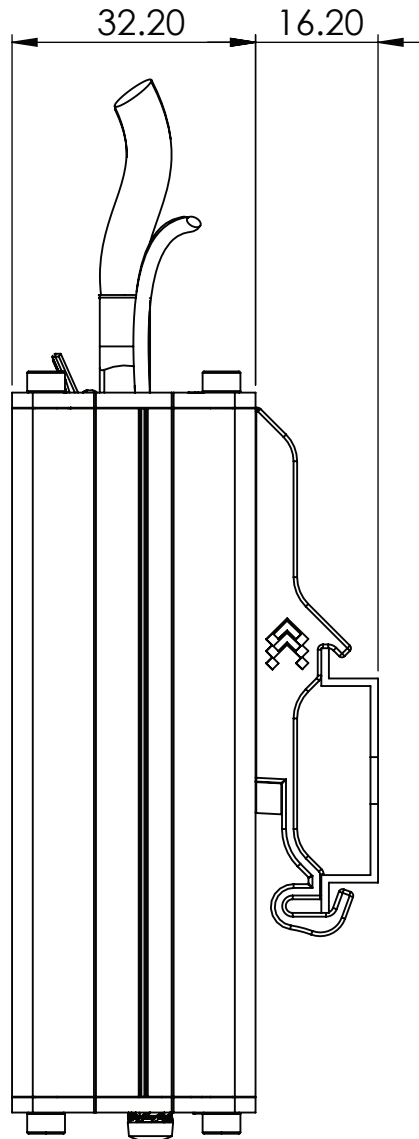
**MOUNTING SPACE REQUIREMENTS**

The figure below depicts an approximation of the device's dimensions when cables and antennas are attached:



DIN RAIL

The scheme below depicts protrusion measurements of an attached DIN Rail:





## X-ON Electronics

Largest Supplier of Electrical and Electronic Components

*Click to view similar products for [Power over Ethernet - PoE category](#):*

*Click to view products by [Teltonika manufacturer](#):*

Other Similar products are found below :

[PD-3504G/AC](#) [TSW200000010](#) [21963-000F](#) [PD-USB-DP30](#) [TSW101000000](#) [POE-48I](#) [2355173-2](#) [PD-3501GAC](#) [POE29U-1AT\(PL\)D](#)  
[180993-3001](#) [EKI-2701HPI-AE](#) [EKI-2701MPI-5GPS-A](#) [EKI-2701MPI-5G-AE](#) [EKI-2701MPI-AE](#) [EKI-2701MPI-R-AE](#)  
[PENB1035B5600F01](#) [AWPOE](#) [SISPM1040-384-LRT-C](#) [SM16TAT2SA-NA](#) [OAK-D-PoE](#) [PD-9001GI/DC](#) [PD-9001GO-ET/AC](#) [PD-](#)  
[9001GR/AT/AC-EU](#) [PD-9001GR/AT/AC-US](#) [PD-9501GC/AC-JP](#) [PD-9501GC/AC-US](#) [PD-9501GCI/DC](#) [PD-9501GCO/AC](#) [PD-](#)  
[9501GI/DCF](#) [PD-9501GR/AC](#) [PD-9601GC/AC-EU](#) [PD-9601GC/AC](#) [PD-9601GC/AC-US](#) [PD-9606GC/AC-EU](#) [PD-9612GC/AC-EU](#) [PD-](#)  
[9624GC/AC-EU](#) [PDS-204GCO/AC](#) [PD-USB-DP60](#) [PD-9506-10GC/AC-US](#) [PD-3501G/AC-EU](#) [PD-9001GR/AT/AC-JP](#) [PD-9501GC/AC-EU](#)  
[PD-9001GRAC](#) [MP8030GQJ-Z](#) [NPS-30W-B](#) [NPS-30W-WOC](#) [PD-3501G/AC-US](#) [PD-9501GO-ET/AC](#) [PD-OUT/MBK/ET](#) [PD-](#)  
[OUT/MBK/S](#)