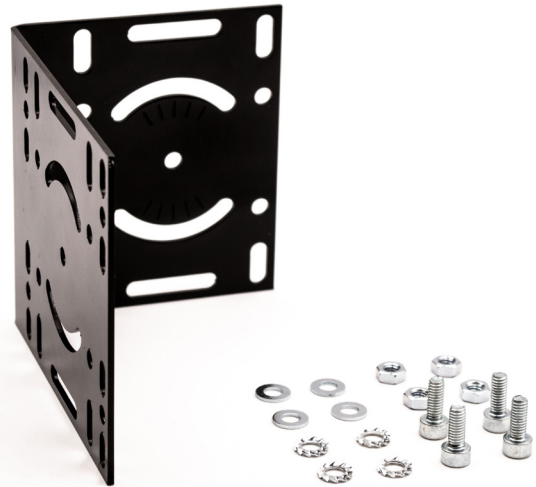


90° Mounting Bracket

for Terabee IND-TOF-1 distance sensor

Key features

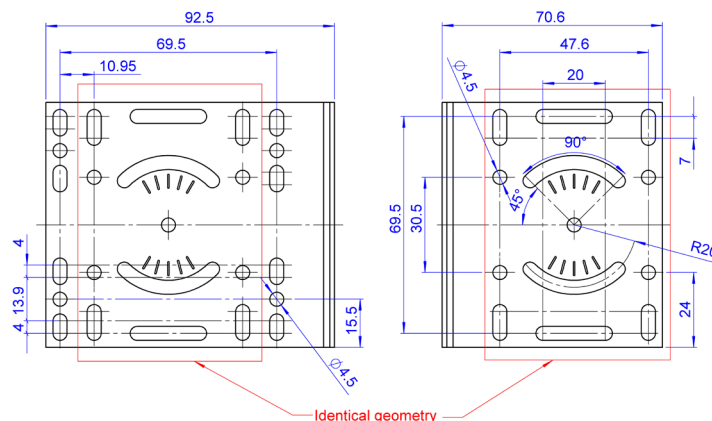
- Quick and easy installation
- Robust steel design for industrial environments
- M4 screw kit included in the package
- Adapts to your needs with 15° increments to tilt the sensor up or down



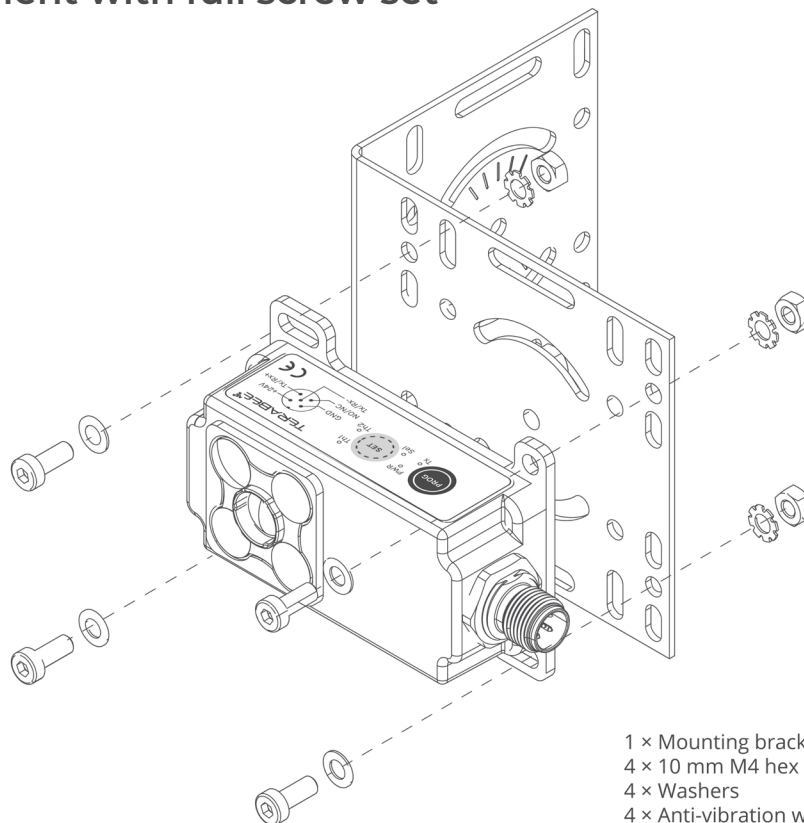
Technical specifications

Product Code	TB-90MB-IND-TOF-1
Material	Steel
Compatible With	Terabee IND-TOF-1
Mounting Possibilities	Vertical, Horizontal, Angular (15° intervals)
Dimensions (external)	92 × 78 × 71 mm
Weight	128 g (mounting bracket) 139 g (including screw set)
Additional Components Included	4 × M4 hex screws (10mm) 4 × Washers 4 × Anti-vibration washers 4 × M4 nuts

Dimensions and hole positions



Sensor attachment with full screw set



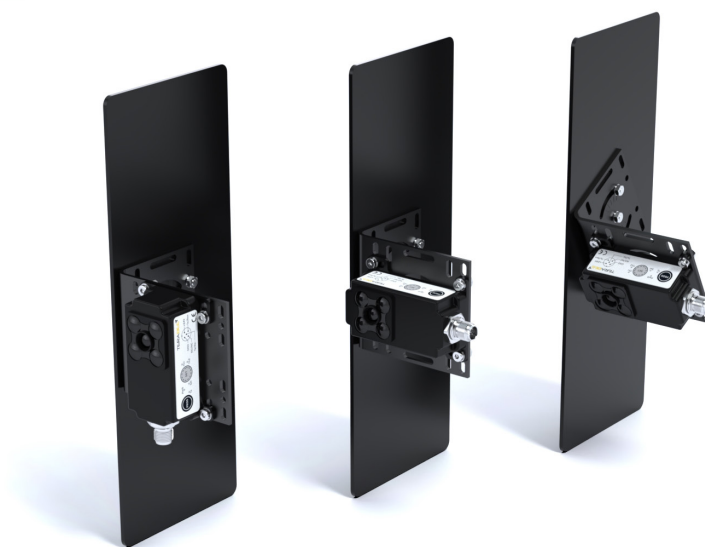
- 1 × Mounting bracket
- 4 × 10 mm M4 hex screws
- 4 × Washers
- 4 × Anti-vibration washers
- 4 × M4 nuts

Attachment examples

Vertical

Horizontal

Angular



X-ON Electronics

Largest Supplier of Electrical and Electronic Components

Click to view similar products for [Modules Accessories](#) category:

Click to view products by [Terabee](#) manufacturer:

Other Similar products are found below :

[7010-0001](#) [AX98219](#) [A1UL8RISER](#) [F1UJPMICRISER](#) [FHW1U16RISER](#) [20-101-0440](#) [MBCDROM](#) [AX61221TM](#) [VM-105](#) [EA](#)
[CARREDIPTFT02](#) [RK-210E-B](#) [E226171106](#) [88606200030E](#) [SI-HDMI-EDID-EM](#) [MIC-75M13-00A1E](#) [FPM-1000T-SMKE](#) [AMK-R004E](#)
[96FMCF-ST2ADAPTER1](#) [AHWKPTP12GBGB](#) [AXXSTCPUCAR](#) [FPK-07-R10](#) [Mini Din 6P to 6P HARNESS](#) [FPF1320 POWER](#)
[MULTIPLEXER CARRIER](#) [881261510A0E](#) [AXXP3SWX08080](#) [conga-B7XD/CSP-Cu-B](#) [881281021A0E](#) [HFT for mounting KIT](#)
[FN928X_FN929X](#) [BB-MH112-1A](#) [15100600](#) [9-5000-1116](#) [BKCMCR1ABB](#) [70763](#) [98R3612003E](#) [881261910A0E](#) [106897](#) [48222R](#) [4D](#)
[ARDUINO ADAPTOR SHIELD II](#) [20926110901](#) [PYCASE GREEN](#) [PYCASE BLUE](#) [FP15072_ZORYA-SC-HEKLA](#) [20952000004](#)
[20953000007](#) [DP-DVI-R10](#) [575-BBIS](#) [RACK-220GW/A130B](#) [492-BBKM](#) [IP411](#) [70760](#)