



Remote level data directly from your silos and tanks, using self-powered, low-energy and contactless Terabee technology.

Key product features

- **Non-intrusive** measurements using LED ToF technology
- Optimal for **small to large silos** (0.5 to 60 m range)
- **Battery-powered.** Years of autonomy
- Low-power, wireless communication (**LoRa WAN**)
- Minimal installation efforts. **Zero cables needed**
- Comes with **software for easy setup** on Windows / Linux / Mac OS
- **IP65 enclosure** for all weather protection

Technical specifications

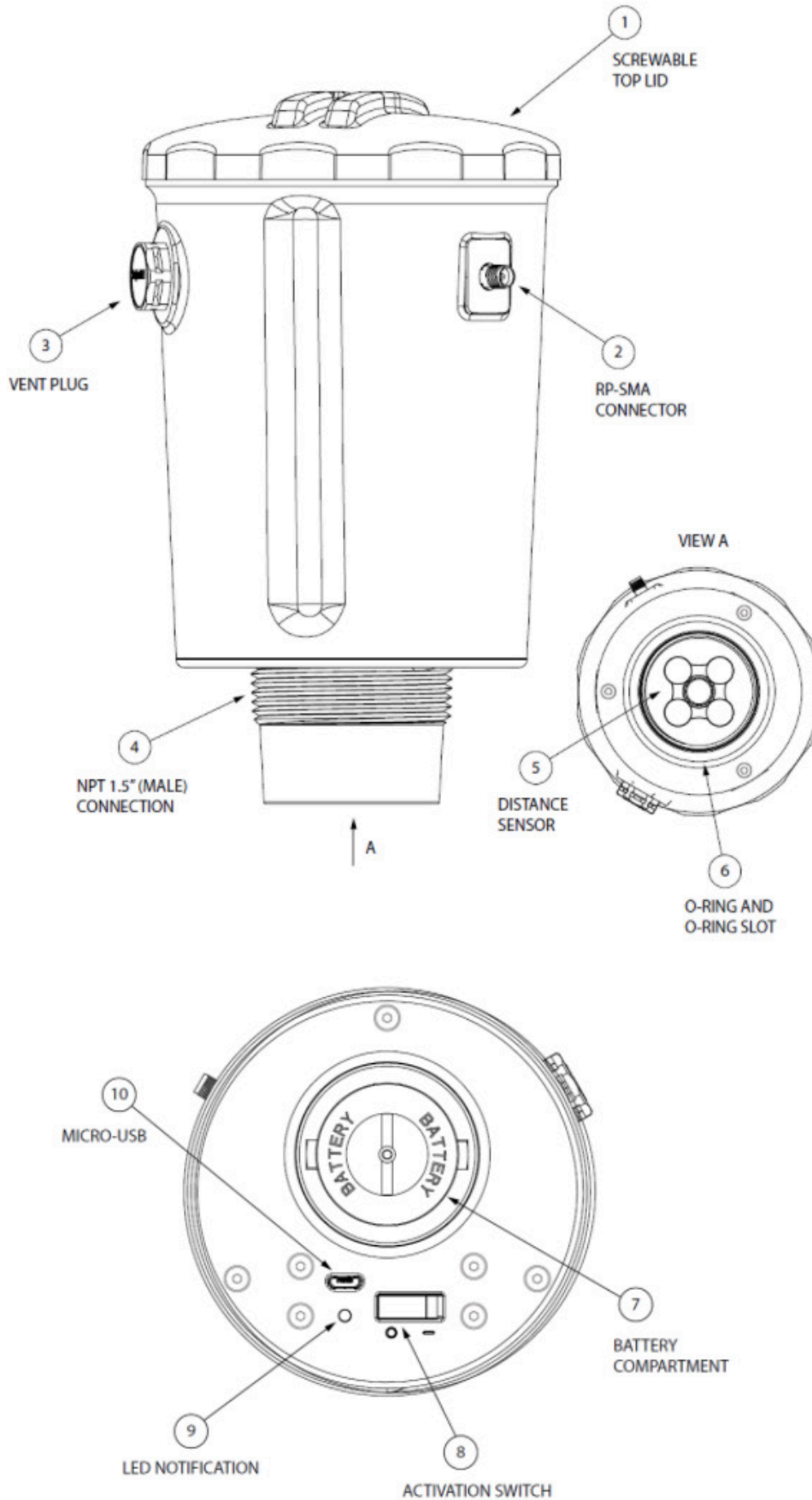
Distance Sensor	
Detection Principle	Infrared Time-of-Flight
Sensor Field of View	Approx. 2°
Measured Detection Area	40 × 40 cm @ 10 m range
Measurement Range ¹	0.5 m up to 60 m
Accuracy ¹	Distance: ±4 cm in the first 14 m, and ±1.5 % beyond 14 m Level: Depending on application conditions
Output Distance Resolution	5 mm
Data, Interfaces	
Data Output	Distance (in millimeters) Fill level (in percentage) Battery status (voltage)
Measurement and Transmission Intervals (selectable)	1 reading / 1 day 1 reading / 6 hours 1 reading / 1 hour 1 reading / 15 mins
Communication Interface	LoRaWAN (class A device) USB 2.0, Micro-B
Configuration Interface	USB 2.0, Micro-B (under sealed cover)
Antenna Options (supported LoRaWAN frequencies)	(1) EU 868 MHz (2) US 915 MHz
LoRaWAN Activation methods	OTAA, ABP
Antenna Specifications	+2dBi, IP67, hinged (3 positions)
Visual Notification	1 x multicolor LED (under sealed cover)
Activation Switch	Yes (under sealed cover)
Electronics	
Power Source	(1) Internal battery, replaceable (2) USB 2.0, Micro-B (5V DC ±5%)
Battery Type	Standard Type D, Lithium Thionyl Chloride, 3.6V, 19Ah
Battery Lifetime Estimate ²	6 years @ 1 reading / 1 hour ⁽³⁾
Mechanics	
Dimensions	170 mm x Ø 107 mm
Weight	405 g
Housing Material	Polycarbonate, ABS
Housing Protection	IP65
Ambient Operating Temperature	-20 °C to 65 °C
Installation	Supports various installation methods (onboard NPT 1.5 thread connection, flat surface attachment using flange accessory, installation at various angles using adjustable bracket accessory)
Other	
Use Environment	non-hazardous environments
Supporting Software	Terabee Configuration GUI (compatible with Windows, Linux, Mac OS)
Certification (Pending)	CE RoHS IP65 (CEI EN 60529) Vibration and Bumps (EN 60068-2)

(1) Specifications are derived from tests in controlled conditions (target with 80% diffuse reflectivity, indoor fluorescent lighting, ambient temperature around 25°C). Please note that bright sunlight, target surface reflectivity, and large amounts of dust can affect sensor performance

(2) The battery life can vary depending on a number of factors, including selected transmission frequency, measured distance by the ToF sensor, ambient temperature & humidity, LoRa network strength, and other factors.

(3) Battery lifetime calculations are based on operation conditions at +25 °C temperature, 10m measuring range (white target, 80% reflectivity), network configuration using spreading factor (SF) 7.

Onboard features and controls



Inside the package

Component	Note
Terabee LoRa Level Monitoring XL	
LoRa antenna	Available in two versions : 868 MHz 915 MHz
Standard Type D battery, 3.6V, 19 AH (replaceable)	<i>Shipped inside the level device.</i>
USB 2.0 Micro-B cable	Allows device connection to PC and access to Terabee Configuration Software. 50cm length.
O-ring	Ensures IP65 sealing between the Terabee device and installation point (e.g Terabee flange accessory)



X-ON Electronics

Largest Supplier of Electrical and Electronic Components

Click to view similar products for [Multiple Function Sensor Modules](#) category:

Click to view products by [Terabee](#) manufacturer:

Other Similar products are found below :

[AD5T](#) [MM7150-AB1](#) [SIBA5-JRAB-DKL](#) [2314277-1](#) [HS4011](#) [5046](#) [RD298HPTX2](#) [2316851-1](#) [1-2314277-2](#) [1-2314291-1](#) [2316852-1](#)
[2331211-3](#) [2316852-2](#) [2316851-2](#) [1-2314277-1](#) [4692](#) [CS-20SHSS-A](#) [CS-125HSS-A](#) [CS-95SSS-A](#) [eATVS-4](#) [eATVS-8](#) [WISE-2410-NB](#)
[WISE-S100-A](#) [EK6-PSX](#) [NGM_1](#) [TRDU5](#) [SKU-7000](#) [BHI260AP](#) [SCD](#) [SHSQP360L](#) [cs-iq-motor-01](#) [DFR0759](#) [DFR0760](#) [SEN0161-V2](#)
[SEN0169-V2](#) [SEN0335](#) [SEN0375](#) [SEN0433](#) [SEN0438](#) [SEN0460](#) [FSM-IMX547C/C01-Bundle-V1B](#) [FSM-IMX547M/C01-Bundle-V1B](#)
[SA1P-UC24V](#) [LFS1K0.1107.2I.B.070-6.S](#) [LFS1K0.1305.6W.B.010-6](#) [LFS1K0.1505.6W.B.010-6](#) [V-Link-200](#) [U001-C](#) [U053-D](#) [U101](#)