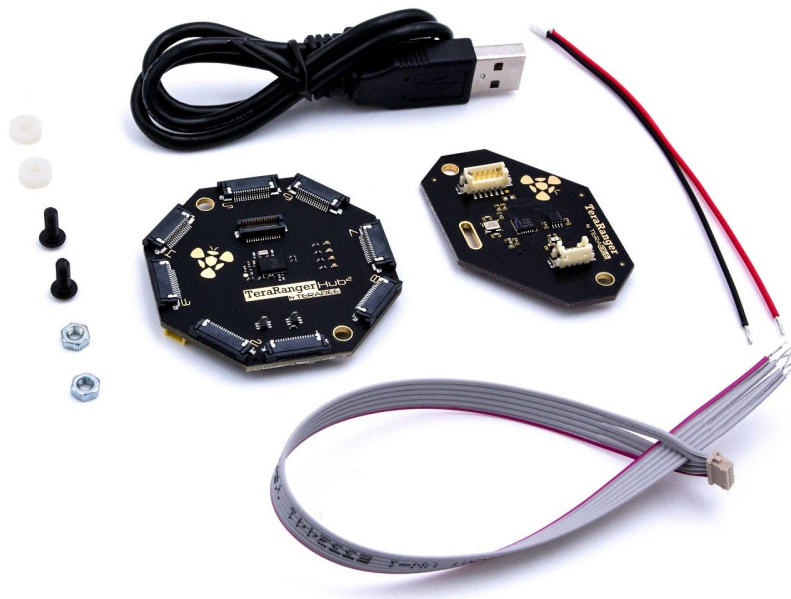


TeraRanger Hub Evo

by TERABEE 



TeraRanger Hub Evo is a **compact and lightweight (13g)** board that enables you to connect up to 8 Evo sensors (Evo 60m, Evo 3m, Evo 600Hz) and stream **distance data in millimeters via USB or UART interfaces**. Readings from each sensor can be synchronized to **avoid cross-talk** making it super easy to setup ‘plug and play’ **sensor arrays!** It is the ideal solution for **selective point cloud creation and rapid prototyping** of multi-sensor configurations. In addition, an **onboard Inertial Measurement Unit (IMU)** provides data on the hub’s spatial orientation.

Hub Evo comes with a **UART board** - a clip-on accessory that enables users to stream distance readings via UART interface. The UART board also provides an interface to control an **intelligent multi-colored LED light source** when navigating close to hazards.

A **Graphical User Interface (GUI)** is available for download and provides easy visualization of sensor readings on PC for demonstrations and testing purposes. **Drivers for ROS** (Robot Operating System) are also available, adding to the plug and play convenience!

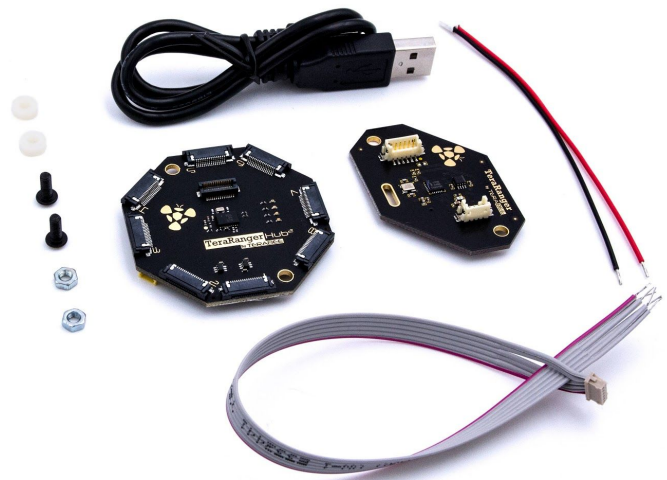
Just some of the many **use cases** for the Hub Evo include: robot navigation and collision avoidance; point cloud generation; presence, proximity and position detection; object and people counting; speed and velocity sensing.

Technical Specifications

	TeraRanger Hub Evo	UART board (accessory)
Dimensions:	∅55mm x 9.2mm (H)	51mm x 36mm x 9mm (H)
Weight:	13g	7g
Mounting:	2 x M3 holes	2 x M3 holes
Supply voltage:	12V DC recommended	Powered by Hub Evo
Supply current:	25mA (plus consumption of each TeraRanger Evo sensor)	Powered by Hub Evo
Interfaces:	USB 2.0 Micro-B	UART, +3,3V level, 921600, 8, N, 1
		WS2812B LED serial control output
Connectors:	Micro USB	6pin Hirose DF13
	Proprietary extension connector	4pin Hirose DF13
Onboard IMU:	Bosch BN055	-
Update Rate modes:	50Hz; 100Hz; 250Hz; 500Hz; 600Hz ASAP	50Hz; 100Hz; 250Hz; 500Hz; 600Hz ASAP
Embedded Processing Unit:	ARM Cortex-M7 32-bit RISC core	-
Compatible with:	Evo 60m, Evo 3m, Evo 600Hz	TeraRanger Hub Evo

In the box

- TeraRanger Hub Evo
- UART board
- Micro-USB cable (50cm)
- UART cable: DF13 6pin to open ended cable (22cm)
- Power cable with open ends (10cm)
- M3 screws x 2pcs
- M3, 3mm spacers x 2pcs
- M3 nuts x 2pcs

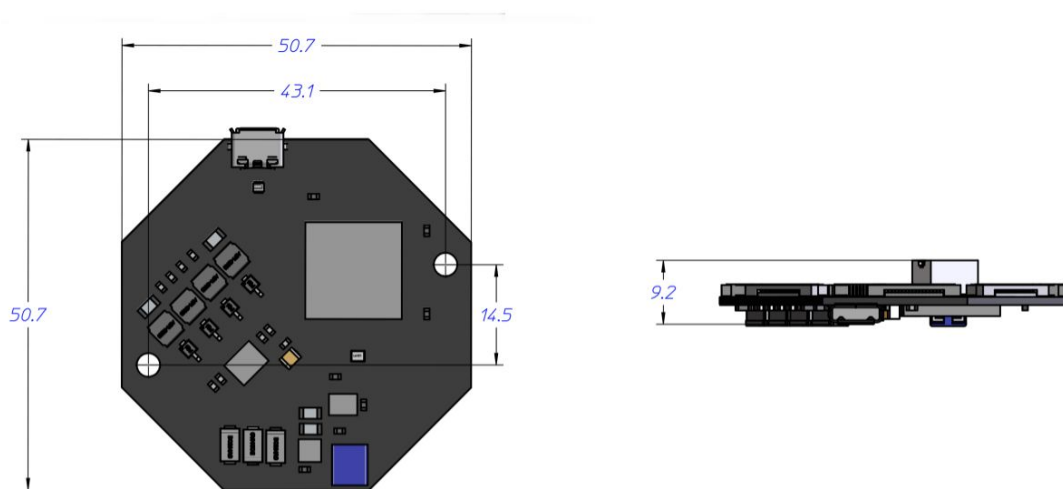


Compatible with Evo sensors

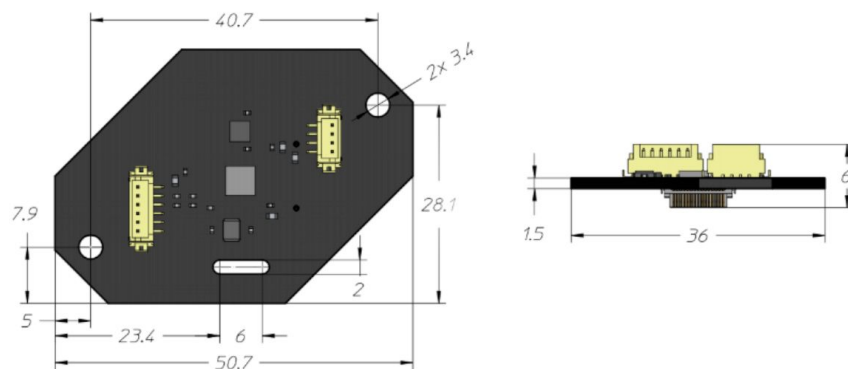
	Range	Update rate	Accuracy	FOV (per sensor)
Evo 60m	0.5m to 60m	Up to 240Hz	±4cm below 14m, 1.5% above 14m	Approx. 2°
Evo 3m	0.1m to 3m	Fixed 100Hz	±2cm	Approx. 2°
Evo 600Hz	0.75m to 8m	Fixed 600Hz	±12cm	Approx. 2°

Dimensions

TeraRanger Hub Evo



UART board



X-ON Electronics

Largest Supplier of Electrical and Electronic Components

Click to view similar products for [Distance Sensor Development Tool](#) category:

Click to view products by [Terabee](#) manufacturer:

Other Similar products are found below :

[SEN0004](#) [MIKROE-2509](#) [172](#) [DFR0315](#) [SEN0006](#) [SEN0007](#) [SEN0008](#) [SEN0187](#) [SEN0202](#) [SEN0208](#) [DM160234](#) [SEN0143](#) [SEN-13968](#)
[3316](#) [SEN-08504](#) [SEN-08502](#) [DFR0445](#) [3317](#) [984](#) [SEN0014](#) [SEN0001](#) [SEN0171](#) [3942](#) [979](#) [981](#) [982](#) [985](#) [AFBR-S50MV85G-EK](#)
[TMF8701-DB](#) [TMF8801-DB](#) [TMF8801-EVM](#) [AD8283CP-EBZ](#) [AD8285CP-EBZ](#) [ADUX1020-EVAL-SDP](#) [SEN0245](#)
[EVALBGT24LTR22TOBO1](#) [DM160238](#) [MIKROE-3339](#) [MIKROE-3439](#) [MIKROE-1589](#) [MIKROE-1991](#) [MIKROE-2086](#) [MIKROE-3103](#)
[SECO-RANGEFINDER-GEVK](#) [PIM058](#) [PIM062](#) [PIM373](#) [101020083](#) [101020353](#) [101020532](#)