

## Quad/Octal, Simultaneous Sampling, 24-Bit Analog-to-Digital Converters

 Check for Samples: [ADS1274](#), [ADS1278](#)

### FEATURES

- Simultaneously Measure Four/Eight Channels
- Up to 144kSPS Data Rate
- AC Performance:
  - 70kHz Bandwidth
  - 111dB SNR (High-Resolution Mode)
  - 108dB THD
- DC Accuracy:
  - 0.8 $\mu$ V/ $^{\circ}$ C Offset Drift
  - 1.3ppm/ $^{\circ}$ C Gain Drift
- Selectable Operating Modes:
  - High-Speed: 144kSPS, 106dB SNR
  - High-Resolution: 52kSPS, 111dB SNR
  - Low-Power: 52kSPS, 31mW/ch
  - Low-Speed: 10kSPS, 7mW/ch
- Linear Phase Digital Filter
- SPI™ or Frame-Sync Serial Interface
- Low Sampling Aperture Error
- Modulator Output Option (digital filter bypass)
- Analog Supply: 5V
- Digital Core: 1.8V
- I/O Supply: 1.8V to 3.3V

### APPLICATIONS

- Vibration/Modal Analysis
- Multi-Channel Data Acquisition
- Acoustics/Dynamic Strain Gauges
- Pressure Sensors

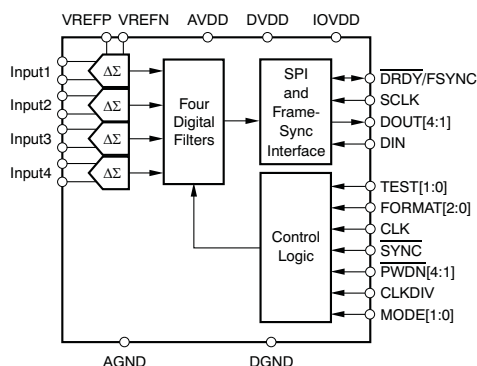
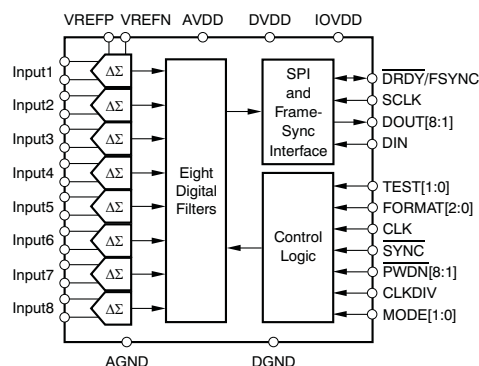
### DESCRIPTION

Based on the single-channel [ADS1271](#), the ADS1274 (quad) and ADS1278 (octal) are 24-bit, delta-sigma ( $\Delta\Sigma$ ) analog-to-digital converters (ADCs) with data rates up to 144k samples per second (SPS), allowing simultaneous sampling of four or eight channels. The devices are offered in identical packages, permitting drop-in expandability.

Traditionally, industrial delta-sigma ADCs offering good drift performance use digital filters with large passband droop. As a result, they have limited signal bandwidth and are mostly suited for dc measurements. High-resolution ADCs in audio applications offer larger usable bandwidths, but the offset and drift specifications are significantly weaker than respective industrial counterparts. The ADS1274 and ADS1278 combine these types of converters, allowing high-precision industrial measurement with excellent dc and ac specifications.

The high-order, chopper-stabilized modulator achieves very low drift with low in-band noise. The onboard decimation filter suppresses modulator and signal out-of-band noise. These ADCs provide a usable signal bandwidth up to 90% of the Nyquist rate with less than 0.005dB of ripple.

Four operating modes allow for optimization of speed, resolution, and power. All operations are controlled directly by pins; there are no registers to program. The devices are fully specified over the extended industrial range (-40 $^{\circ}$ C to +105 $^{\circ}$ C) and are available in an HTQFP-64 PowerPAD™ package.


**ADS1274**

**ADS1278**


Please be aware that an important notice concerning availability, standard warranty, and use in critical applications of Texas Instruments semiconductor products and disclaimers thereto appears at the end of this data sheet.

PowerPAD is a trademark of Texas Instruments, Inc.

SPI is a trademark of Motorola, Inc.

All other trademarks are the property of their respective owners.



This integrated circuit can be damaged by ESD. Texas Instruments recommends that all integrated circuits be handled with appropriate precautions. Failure to observe proper handling and installation procedures can cause damage.

ESD damage can range from subtle performance degradation to complete device failure. Precision integrated circuits may be more susceptible to damage because very small parametric changes could cause the device not to meet its published specifications.

### ORDERING INFORMATION

For the most current package and ordering information, see the Package Option Addendum at the end of this document, or visit the device product folder at [www.ti.com](http://www.ti.com).

### ABSOLUTE MAXIMUM RATINGS

Over operating free-air temperature range unless otherwise noted<sup>(1)</sup>

|                                 |            | ADS1274, ADS1278    | UNIT |
|---------------------------------|------------|---------------------|------|
| AVDD to AGND                    |            | -0.3 to +6.0        | V    |
| DVDD, IOVDD to DGND             |            | -0.3 to +3.6        | V    |
| AGND to DGND                    |            | -0.3 to +0.3        | V    |
| Input current                   | Momentary  | 100                 | mA   |
|                                 | Continuous | 10                  | mA   |
| Analog input to AGND            |            | -0.3 to AVDD + 0.3  | V    |
| Digital input or output to DGND |            | -0.3 to IOVDD + 0.3 | V    |
| Maximum junction temperature    |            | +150                | °C   |
| Operating temperature range     | ADS1274    | -40 to +125         | °C   |
|                                 | ADS1278    | -40 to +105         | °C   |
| Storage temperature range       |            | -60 to +150         | °C   |

- (1) Stresses above these ratings may cause permanent damage. Exposure to absolute maximum conditions for extended periods may degrade device reliability. These are stress ratings only, and functional operation of the device at these or any other conditions beyond those specified is not implied.

## ELECTRICAL CHARACTERISTICS

All specifications at  $T_A = -40^\circ\text{C}$  to  $+105^\circ\text{C}$ ,  $AVDD = +5\text{V}$ ,  $DVDD = +1.8\text{V}$ ,  $IOVDD = +3.3\text{V}$ ,  $f_{\text{CLK}} = 27\text{MHz}$ ,  $V_{\text{REFP}} = 2.5\text{V}$ ,  $V_{\text{REFN}} = 0\text{V}$ , and all channels active, unless otherwise noted.

| PARAMETER                                      | TEST CONDITIONS                                   | ADS1274, ADS1278                    |                      |              | UNIT                         |
|--|---|-------------------------------------|----------------------|--------------|------------------------------|
|  |   | MIN                                 | TYP                  | MAX          |                              |
| <b>ANALOG INPUTS</b>                           |   |                                     |                      |              |                              |
| Full-scale input voltage (FSR <sup>(1)</sup> ) | $V_{\text{IN}} = (\text{AINP} - \text{AINN})$     |                                     | $\pm V_{\text{REF}}$ |              | V                            |
| Absolute input voltage                         | AINP or AINN to AGND                              | AGND – 0.1                          |                      | AVDD + 0.1   | V                            |
| Common-mode input voltage ( $V_{\text{CM}}$ )  | $V_{\text{CM}} = (\text{AINP} + \text{AINN})/2$   |                                     | 2.5                  |              | V                            |
| Differential input impedance                   | High-Speed mode                                   |                                     | 14                   |              | k $\Omega$                   |
|  | High-Resolution mode                              |                                     | 14                   |              | k $\Omega$                   |
|  | Low-Power mode                                    |                                     | 28                   |              | k $\Omega$                   |
|  | Low-Speed mode                                    |                                     | 140                  |              | k $\Omega$                   |
| <b>DC PERFORMANCE</b>                          |   |                                     |                      |              |                              |
| Resolution                                     | No missing codes                                  | 24                                  |                      |              | Bits                         |
| Data rate ( $f_{\text{DATA}}$ )                | High-Speed mode <sup>(2)</sup>                    | $f_{\text{CLK}} = 37\text{MHz}$     | 144,531              |              | SPS <sup>(3)</sup>           |
|  |   | $f_{\text{CLK}} = 32.768\text{MHz}$ | 128,000              |              | SPS                          |
|  |   | $f_{\text{CLK}} = 27\text{MHz}$     | 105,469              |              | SPS                          |
|  | High-Resolution mode                              |                                     | 52,734               |              | SPS                          |
|  | Low-Speed mode                                    |                                     | 10,547               |              | SPS                          |
| Integral nonlinearity (INL) <sup>(4)</sup>     | Differential input, $V_{\text{CM}} = 2.5\text{V}$ |                                     | $\pm 0.0003$         | $\pm 0.0012$ | % FSR <sup>(1)</sup>         |
| Offset error                                   |   |                                     | 0.25                 | 2            | mV                           |
| Offset drift                                   |   |                                     | 0.8                  |              | $\mu\text{V}/^\circ\text{C}$ |
| Gain error                                     |   |                                     | 0.1                  | 0.5          | % FSR                        |
| Gain drift                                     |   |                                     | 1.3                  |              | ppm/ $^\circ\text{C}$        |
| Noise  | High-Speed mode                                   | Shorted input                       | 8.5                  | 16           | $\mu\text{V}$ , rms          |
|  | High-Resolution mode                              | Shorted input                       | 5.5                  | 12           | $\mu\text{V}$ , rms          |
|  | Low-Power mode                                    | Shorted input                       | 8.5                  | 16           | $\mu\text{V}$ , rms          |
|  | Low-Speed mode                                    | Shorted input                       | 8.0                  | 16           | $\mu\text{V}$ , rms          |
| Common-mode rejection                          | $f_{\text{CM}} = 60\text{Hz}$                     | 90                                  | 108                  |              | dB                           |
| Power-supply rejection                         | AVDD  | $f_{\text{PS}} = 60\text{Hz}$       |                      | 80           | dB                           |
|  | DVDD  |                                     |                      | 85           | dB                           |
|  | IOVDD   |                                     |                      | 105          | dB                           |
| $V_{\text{COM}}$ output voltage                | No load   |                                     | AVDD/2               |              | V                            |

(1) FSR = full-scale range =  $2V_{\text{REF}}$ .

(2)  $f_{\text{CLK}} = 37\text{MHz}$  max for High-Speed mode, and 27MHz max for all other modes. See Table 7 for  $f_{\text{CLK}}$  restrictions in High-Speed mode.

(3) SPS = samples per second.

(4) Best fit method.

## ELECTRICAL CHARACTERISTICS (continued)

All specifications at  $T_A = -40^\circ\text{C}$  to  $+105^\circ\text{C}$ ,  $AVDD = +5\text{V}$ ,  $DVDD = +1.8\text{V}$ ,  $IOVDD = +3.3\text{V}$ ,  $f_{\text{CLK}} = 27\text{MHz}$ ,  $V_{\text{REFP}} = 2.5\text{V}$ ,  $V_{\text{REFN}} = 0\text{V}$ , and all channels active, unless otherwise noted.

| PARAMETER   |                      | TEST CONDITIONS                                       | ADS1274, ADS1278        |                         |                           | UNIT          |
|---|----------------------|---|-------------------------|-------------------------|---------------------------|---------------|
|   |                      |   | MIN                     | TYP                     | MAX                       |               |
| <b>AC PERFORMANCE</b>   |                      |   |                         |                         |                           |               |
| Crosstalk   |                      | $f = 1\text{kHz}$ , $-0.5\text{dBFS}^{(5)}$           |                         | -107                    |                           | dB            |
| Signal-to-noise ratio (SNR) <sup>(6)</sup><br>(unweighted)  | High-Speed mode      |   | 101                     | 106                     |                           | dB            |
|   | High-Resolution mode | $V_{\text{REF}} = 2.5\text{V}$                        | 103                     | 110                     |                           | dB            |
|   |                      | $V_{\text{REF}} = 3\text{V}$                          |                         |                         | 111                       |               |
|   | Low-Power mode       |   | 101                     | 106                     |                           | dB            |
| Low-Speed mode  |                      | 101   | 107                     |                         | dB                        |               |
| Total harmonic distortion (THD) <sup>(7)</sup>  |                      | $V_{\text{IN}} = 1\text{kHz}$ , $-0.5\text{dBFS}$     |                         | -108                    | -96                       | dB            |
| Spurious-free dynamic range   |                      |   |                         | 109                     |                           | dB            |
| Passband ripple   |                      |   |                         |                         | $\pm 0.005$               | dB            |
| Passband  |                      |   |                         | $0.453 f_{\text{DATA}}$ |                           | Hz            |
| -3dB Bandwidth  |                      |   |                         | $0.49 f_{\text{DATA}}$  |                           | Hz            |
| Stop band attenuation   | High-Resolution mode |   | 95                      |                         |                           | dB            |
|   | All other modes      |   | 100                     |                         |                           | dB            |
| Stop band   | High-Resolution mode |   | $0.547 f_{\text{DATA}}$ |                         | $127.453 f_{\text{DATA}}$ | Hz            |
|   | All other modes      |   | $0.547 f_{\text{DATA}}$ |                         | $63.453 f_{\text{DATA}}$  | Hz            |
| Group delay   | High-Resolution mode |   |                         | $39/f_{\text{DATA}}$    |                           | s             |
|   | All other modes      |   |                         | $38/f_{\text{DATA}}$    |                           | s             |
| Settling time (latency)   | High-Resolution mode | Complete settling                                     |                         | $78/f_{\text{DATA}}$    |                           | s             |
|   | All other modes      | Complete settling                                     |                         | $76/f_{\text{DATA}}$    |                           | s             |
| <b>VOLTAGE REFERENCE INPUTS</b>   |                      |   |                         |                         |                           |               |
| Negative reference input ( $V_{\text{REFN}}$ )  |                      |   | AGND - 0.1              |                         | AGND + 0.1                | V             |
| Reference input voltage ( $V_{\text{REF}}$ ) <sup>(8)</sup><br>( $V_{\text{REF}} = V_{\text{REFP}} - V_{\text{REFN}}$ ) |                      | $0.1 \leq f_{\text{CLK}} \leq 27\text{MHz}$           | 0.5                     | 2.5                     | 3.1                       | V             |
|   |                      | $27 < f_{\text{CLK}} \leq 32.768\text{MHz}$           | 0.5                     | 2.5                     | 2.6                       | V             |
|   |                      | $32.768\text{MHz} < f_{\text{CLK}} \leq 37\text{MHz}$ | 0.5                     | 2.048                   | 2.1                       | V             |
| ADS1274<br>Reference Input impedance  | High-Speed mode      |   |                         | 1.3                     |                           | k $\Omega$    |
|   | High-Resolution mode |   |                         | 1.3                     |                           | k $\Omega$    |
|   | Low-Power mode       |   |                         | 2.6                     |                           | k $\Omega$    |
|   | Low-Speed mode       |   |                         | 13                      |                           | k $\Omega$    |
| ADS1278<br>Reference Input impedance  | High-Speed mode      |   |                         | 0.65                    |                           | k $\Omega$    |
|   | High-Resolution mode |   |                         | 0.65                    |                           | k $\Omega$    |
|   | Low-Power mode       |   |                         | 1.3                     |                           | k $\Omega$    |
|   | Low-Speed mode       |   |                         | 6.5                     |                           | k $\Omega$    |
| <b>DIGITAL INPUT/OUTPUT (<math>IOVDD = 1.8\text{V}</math> to <math>3.6\text{V}</math>)</b>                              |                      |   |                         |                         |                           |               |
| $V_{\text{IH}}$   |                      |   | $0.7 IOVDD$             |                         | $IOVDD$                   | V             |
| $V_{\text{IL}}$   |                      |   | DGND                    |                         | $0.3 IOVDD$               | V             |
| $V_{\text{OH}}$   |                      | $I_{\text{OH}} = 4\text{mA}$                          | $0.8 IOVDD$             |                         | $IOVDD$                   | V             |
| $V_{\text{OL}}$   |                      | $I_{\text{OL}} = 4\text{mA}$                          | DGND                    |                         | $0.2 IOVDD$               | V             |
| Input leakage   |                      | $0 < V_{\text{IN DIGITAL}} < IOVDD$                   |                         |                         | $\pm 10$                  | $\mu\text{A}$ |
| Master clock rate ( $f_{\text{CLK}}$ )  |                      | High-Speed mode <sup>(8)</sup>                        | 0.1                     |                         | 37                        | MHz           |
|   |                      | Other modes   | 0.1                     |                         | 27                        | MHz           |

(5) Worst-case channel crosstalk between one or more channels.

(6) Minimum SNR is ensured by the limit of the *DC noise* specification.

(7) THD includes the first nine harmonics of the input signal; Low-Speed mode includes the first five harmonics.

(8)  $f_{\text{CLK}} = 37\text{MHz}$  max for High-Speed mode, and  $27\text{MHz}$  max for all other modes. See Table 7 for  $V_{\text{REF}}$  restrictions in High-Speed mode.

## ELECTRICAL CHARACTERISTICS (continued)

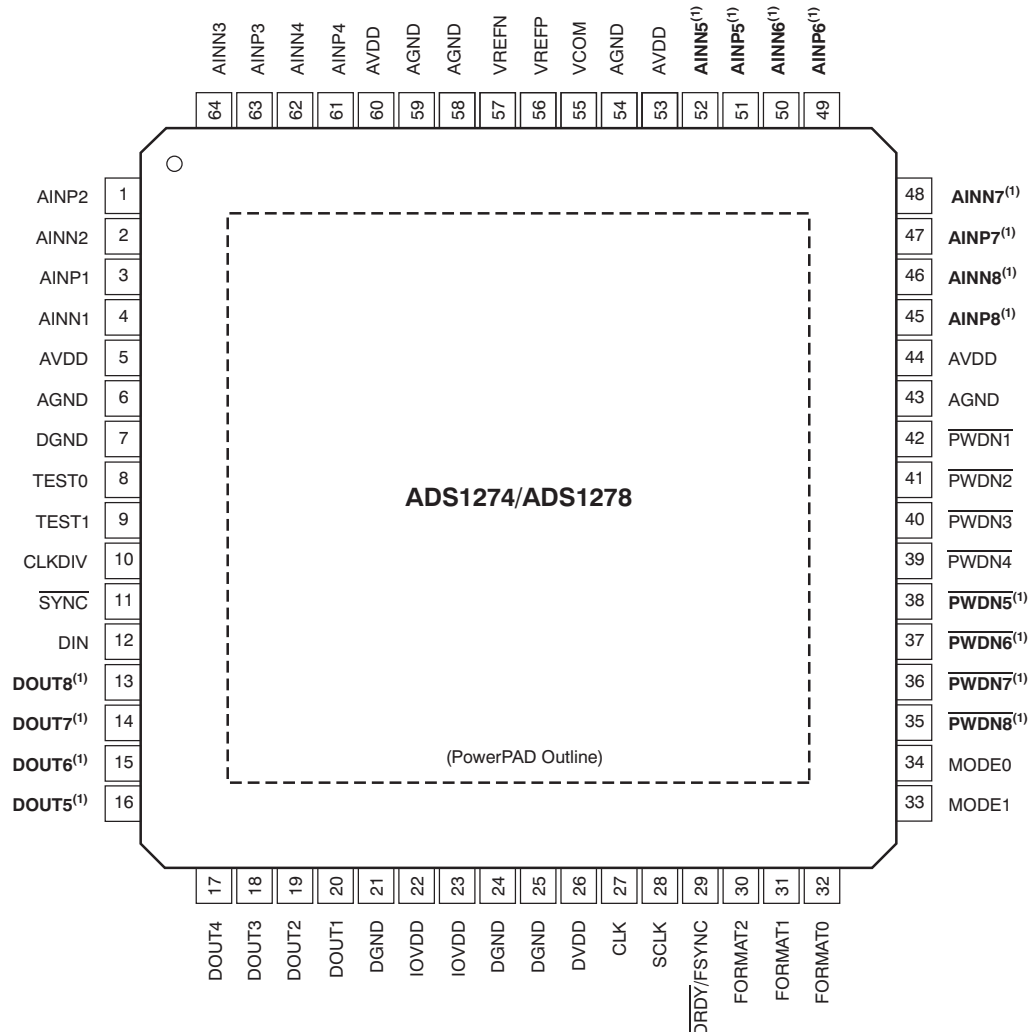
All specifications at  $T_A = -40^\circ\text{C}$  to  $+105^\circ\text{C}$ ,  $AVDD = +5\text{V}$ ,  $DVDD = +1.8\text{V}$ ,  $IOVDD = +3.3\text{V}$ ,  $f_{\text{CLK}} = 27\text{MHz}$ ,  $V_{\text{REFP}} = 2.5\text{V}$ ,  $V_{\text{REFN}} = 0\text{V}$ , and all channels active, unless otherwise noted.

| PARAMETER                    |                      | TEST CONDITIONS                                       | ADS1274, ADS1278 |       |      | UNIT          |
|------------------------------|----------------------|---|------------------|-------|------|---------------|
|                              |                      |   | MIN              | TYP   | MAX  |               |
| <b>POWER SUPPLY</b>          |                      |   |                  |       |      |               |
| AVDD                         |                      |   | 4.75             | 5     | 5.25 | V             |
| DVDD <sup>(9)</sup>          |                      | $0.1 \leq f_{\text{CLK}} \leq 32.768\text{MHz}$       | 1.65             | 1.8   | 1.95 | V             |
|                              |                      | $32.768\text{MHz} < f_{\text{CLK}} \leq 37\text{MHz}$ | 2.0              | 2.1   | 2.2  | V             |
| IOVDD                        |                      |   | 1.65             |       | 3.6  | V             |
| Power-down current           | AVDD                 |   |                  | 1     | 10   | $\mu\text{A}$ |
|                              | DVDD                 |   |                  | 1     | 15   | $\mu\text{A}$ |
|                              | IOVDD                |   |                  | 1     | 10   | $\mu\text{A}$ |
| <b>ADS1274</b>               |                      |   |                  |       |      |               |
| ADS1274<br>AVDD current      | High-Speed mode      |   |                  | 50    | 75   | mA            |
|                              | High-Resolution mode |   |                  | 50    | 75   | mA            |
|                              | Low-Power mode       |   |                  | 23    | 35   | mA            |
|                              | Low-Speed mode       |   |                  | 5     | 9    | mA            |
| ADS1274<br>DVDD current      | High-Speed mode      |   |                  | 18    | 24   | mA            |
|                              | High-Resolution mode |   |                  | 12    | 17   | mA            |
|                              | Low-Power mode       |   |                  | 10    | 15   | mA            |
|                              | Low-Speed mode       |   |                  | 2.5   | 4.5  | mA            |
| ADS1274<br>IOVDD current     | High-Speed mode      |   |                  | 0.15  | 0.5  | mA            |
|                              | High-Resolution mode |   |                  | 0.075 | 0.3  | mA            |
|                              | Low-Power mode       |   |                  | 0.075 | 0.3  | mA            |
|                              | Low-Speed mode       |   |                  | 0.02  | 0.15 | mA            |
| ADS1274<br>Power dissipation | High-Speed mode      |   |                  | 285   | 420  | mW            |
|                              | High-Resolution mode |   |                  | 275   | 410  | mW            |
|                              | Low-Power mode       |   |                  | 135   | 210  | mW            |
|                              | Low-Speed mode       |   |                  | 30    | 55   | mW            |
| <b>ADS1278</b>               |                      |   |                  |       |      |               |
| ADS1278<br>AVDD current      | High-Speed mode      |   |                  | 97    | 145  | mA            |
|                              | High-Resolution mode |   |                  | 97    | 145  | mA            |
|                              | Low-Power mode       |   |                  | 44    | 64   | mA            |
|                              | Low-Speed mode       |   |                  | 9     | 14   | mA            |
| ADS1278<br>DVDD current      | High-Speed mode      |   |                  | 23    | 30   | mA            |
|                              | High-Resolution mode |   |                  | 16    | 20   | mA            |
|                              | Low-Power mode       |   |                  | 12    | 17   | mA            |
|                              | Low-Speed mode       |   |                  | 2.5   | 4.5  | mA            |
| ADS1278<br>IOVDD current     | High-Speed mode      |   |                  | 0.25  | 1    | mA            |
|                              | High-Resolution mode |   |                  | 0.125 | 0.5  | mA            |
|                              | Low-Power mode       |   |                  | 0.125 | 0.5  | mA            |
|                              | Low-Speed mode       |   |                  | 0.035 | 0.2  | mA            |
| ADS1278<br>Power dissipation | High-Speed mode      |   |                  | 530   | 785  | mW            |
|                              | High-Resolution mode |   |                  | 515   | 765  | mW            |
|                              | Low-Power mode       |   |                  | 245   | 355  | mW            |
|                              | Low-Speed mode       |   |                  | 50    | 80   | mW            |

(9)  $f_{\text{CLK}} = 37\text{MHz}$  max for High-Speed mode, and 27MHz max for all other modes. See [Table 7](#) for DVDD restrictions in High-Speed mode.

## ADS1274/ADS1278 PIN ASSIGNMENTS

### PAP PACKAGE HTQFP-64 (TOP VIEW)



(1) **Boldface** pin names indicate additional pins for the ADS1278; see [Table 1](#).

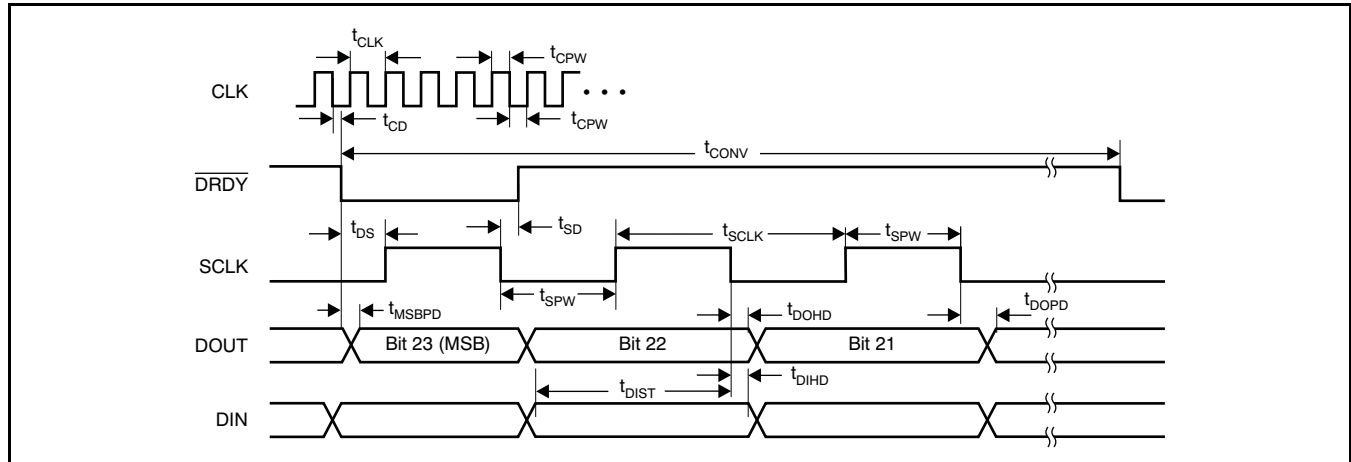
**Table 1. ADS1274/ADS1278 PIN DESCRIPTIONS**

| PIN   |                   | FUNCTION      | DESCRIPTION   |
|-------|-------------------|---------------|---|
| NAME  | NO.               |               |   |
| AGND  | 6, 43, 54, 58, 59 | Analog ground | Analog ground; connect to DGND using a single plane.  |
| AINP1 | 3                 | Analog input  | <b>ADS1278:</b> AINP[8:1] Positive analog input, channels 8 through 1.<br><br><b>ADS1274:</b> AINP[8:5] Connected to internal ESD rails. The inputs may float. AINP[4:1] Positive analog input, channels 4 through 1. |
| AINP2 | 1                 | Analog input  |   |
| AINP3 | 63                | Analog input  |   |
| AINP4 | 61                | Analog input  |   |
| AINP5 | 51                | Analog input  |   |
| AINP6 | 49                | Analog input  |   |
| AINP7 | 47                | Analog input  |   |
| AINP8 | 45                | Analog input  |   |

**Table 1. ADS1274/ADS1278 PIN DESCRIPTIONS (continued)**

| PIN                     |               | FUNCTION             | DESCRIPTION  |
|-------------------------|---------------|----------------------|--|
| NAME                    | NO.           |                      |  |
| AINN1                   | 4             | Analog input         | <b>ADS1278:</b> AINN[8:1] Negative analog input, channels 8 through 1.<br><br><b>ADS1274:</b> AINN[8:5] Connected to internal ESD rails. The inputs may float.<br>AINN[4:1] Negative analog input, channels 4 through 1. |
| AINN2                   | 2             | Analog input         |  |
| AINN3                   | 64            | Analog input         |  |
| AINN4                   | 62            | Analog input         |  |
| AINN5                   | 52            | Analog input         |  |
| AINN6                   | 50            | Analog input         |  |
| AINN7                   | 48            | Analog input         |  |
| AINN8                   | 46            | Analog input         |  |
| AVDD                    | 5, 44, 53, 60 | Analog power supply  | Analog power supply (4.75V to 5.25V).  |
| VCOM                    | 55            | Analog output        | AVDD/2 Unbuffered voltage output.  |
| VREFN                   | 57            | Analog input         | Negative reference input.  |
| VREFP                   | 56            | Analog input         | Positive reference input.  |
| CLK                     | 27            | Digital input        | Master clock input ( $f_{CLK}$ ).  |
| CLKDIV                  | 10            | Digital input        | CLK input divider control:     1 = 37MHz (High-Speed mode)/otherwise 27MHz<br>0 = 13.5MHz (low-power)/5.4MHz (low-speed)   |
| DGND                    | 7, 21, 24, 25 | Digital ground       | Digital ground power supply.   |
| DIN                     | 12            | Digital input        | Daisy-chain data input.  |
| DOUT1                   | 20            | Digital output       | DOUT1 is TDM data output (TDM mode).   |
| DOUT2                   | 19            | Digital output       | <b>ADS1278:</b> DOUT[8:1] Data output for channels 8 through 1.<br><br><b>ADS1274:</b> DOUT[8:5] Internally connected to active circuitry; outputs are driven.<br>DOUT[4:1] Data output for channels 4 through 1.        |
| DOUT3                   | 18            | Digital output       |  |
| DOUT4                   | 17            | Digital output       |  |
| DOUT5                   | 16            | Digital output       |  |
| DOUT6                   | 15            | Digital output       |  |
| DOUT7                   | 14            | Digital output       |  |
| DOUT8                   | 13            | Digital output       |  |
| $\overline{DRDY}/FSYNC$ | 29            | Digital input/output |  |
| DVDD                    | 26            | Digital power supply | Digital core power supply.   |
| FORMAT0                 | 32            | Digital input        | FORMAT[2:0] Selects Frame-Sync/SPI protocol, TDM/discrete data outputs, fixed/dynamic position TDM data, and modulator mode/normal operating mode.   |
| FORMAT1                 | 31            | Digital input        |  |
| FORMAT2                 | 30            | Digital input        |  |
| IOVDD                   | 22, 23        | Digital power supply | I/O power supply (+1.65V to +3.6V).  |
| MODE0                   | 34            | Digital input        | MODE[1:0] Selects High-Speed, High-Resolution, Low-Power, or Low-Speed mode operation.   |
| MODE1                   | 33            | Digital input        |  |
| $\overline{PWDN1}$      | 42            | Digital input        | <b>ADS1278:</b> $\overline{PWDN}$ [8:1] Power-down control for channels 8 through 1.<br><br><b>ADS1274:</b> $\overline{PWDN}$ [8:5] must = 0V.<br>$\overline{PWDN}$ [4:1] Power-down control for channels 4 through 1.   |
| $\overline{PWDN2}$      | 41            | Digital input        |  |
| $\overline{PWDN3}$      | 40            | Digital input        |  |
| $\overline{PWDN4}$      | 39            | Digital input        |  |
| $\overline{PWDN5}$      | 38            | Digital input        |  |
| $\overline{PWDN6}$      | 37            | Digital input        |  |
| $\overline{PWDN7}$      | 36            | Digital input        |  |
| $\overline{PWDN8}$      | 35            | Digital input        |  |
| SCLK                    | 28            | Digital input/output | Serial clock input, Modulator clock output.  |
| $\overline{SYNC}$       | 11            | Digital input        | Synchronize input (all channels).  |
| TEST0                   | 8             | Digital input        | TEST[1:0] Test mode select:     00 = Normal operation     01 = Do not use<br>11 = Test mode                   10 = Do not use  |
| TEST1                   | 9             | Digital input        |  |

**SPI FORMAT TIMING**



**SPI FORMAT TIMING SPECIFICATION**

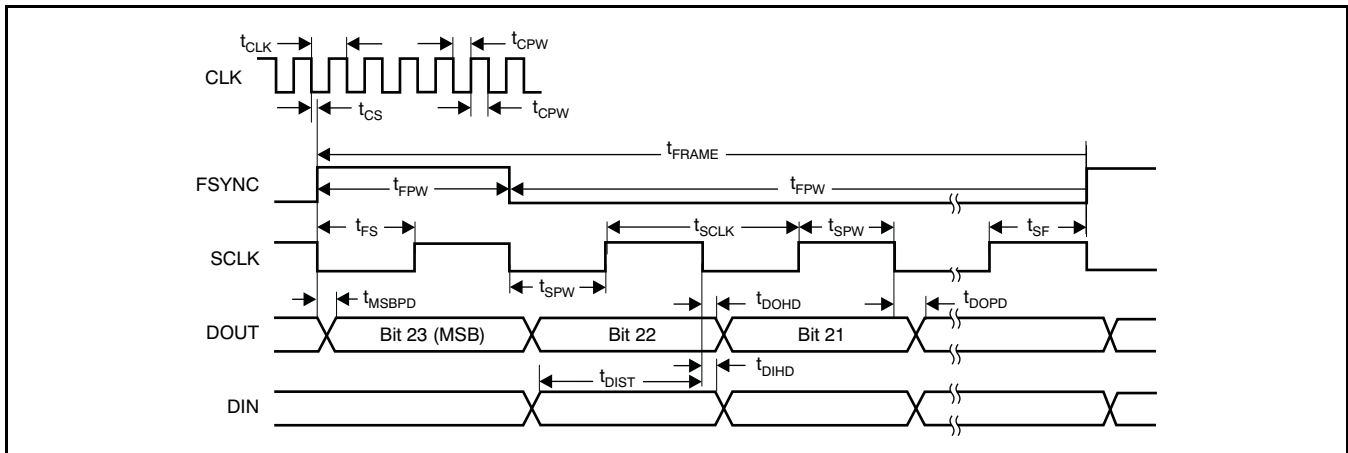
For  $T_A = -40^{\circ}\text{C}$  to  $+105^{\circ}\text{C}$ ,  $\text{IOVDD} = 1.65\text{V}$  to  $3.6\text{V}$ , and  $\text{DVDD} = 1.65\text{V}$  to  $1.95\text{V}$ , unless otherwise noted.

| SYMBOL                       | PARAMETER  | MIN | TYP | MAX    | UNIT              |
|------------------------------|--|-----|-----|--------|-------------------|
| $t_{CLK}$                    | CLK period ( $1/f_{CLK}$ ) <sup>(1)</sup>  | 37  |     | 10,000 | ns                |
| $t_{CPW}$                    | CLK positive or negative pulse width   | 15  |     |        | ns                |
| $t_{CONV}$                   | Conversion period ( $1/f_{DATA}$ ) <sup>(2)</sup>                                      | 256 |     | 2560   | $t_{CLK}$         |
| $t_{CD}$ <sup>(3)</sup>      | Falling edge of CLK to falling edge of $\overline{\text{DRDY}}$                        |     | 22  |        | ns                |
| $t_{DS}$ <sup>(3)</sup>      | Falling edge of $\overline{\text{DRDY}}$ to rising edge of first SCLK to retrieve data | 1   |     |        | $t_{CLK}$         |
| $t_{MSBPD}$                  | $\overline{\text{DRDY}}$ falling edge to DOUT MSB valid (propagation delay)            |     |     | 16     | ns                |
| $t_{SD}$ <sup>(3)</sup>      | Falling edge of SCLK to rising edge of $\overline{\text{DRDY}}$                        |     | 18  |        | ns                |
| $t_{SCLK}$ <sup>(4)</sup>    | SCLK period  | 1   |     |        | $t_{CLK}$         |
| $t_{SPW}$                    | SCLK positive or negative pulse width  | 0.4 |     |        | $t_{CLK}$         |
| $t_{DOHD}$ <sup>(3)(5)</sup> | SCLK falling edge to new DOUT invalid (hold time)                                      | 10  |     |        | ns                |
| $t_{DOPD}$ <sup>(3)</sup>    | SCLK falling edge to new DOUT valid (propagation delay)                                |     |     | 32     | ns                |
|                              |  |     |     | 26     | ns <sup>(6)</sup> |
| $t_{DIST}$                   | New DIN valid to falling edge of SCLK (setup time)                                     | 6   |     |        | ns                |
| $t_{DIHD}$ <sup>(5)</sup>    | Old DIN valid to falling edge of SCLK (hold time)                                      | 6   |     |        | ns                |

- (1)  $f_{CLK} = 27\text{MHz}$  maximum.
- (2) Depends on  $\text{MODE}[1:0]$  and  $\text{CLKDIV}$  selection. See Table 8 ( $f_{CLK}/f_{DATA}$ ).
- (3) Load on  $\overline{\text{DRDY}}$  and DOUT = 20pF.
- (4) For best performance, limit  $f_{SCLK}/f_{CLK}$  to ratios of 1, 1/2, 1/4, 1/8, etc.
- (5)  $t_{DOHD}$  (DOUT hold time) and  $t_{DIHD}$  (DIN hold time) are specified under opposite worst-case conditions (digital supply voltage and ambient temperature). Under equal conditions, with DOUT connected directly to DIN, the timing margin is > 4ns.
- (6) DOUT1, TDM mode,  $\text{IOVDD} = 3.15\text{V}$  to  $3.45\text{V}$ , and  $\text{DVDD} = 1.7\text{V}$  to  $1.9\text{V}$ .



### FRAME-SYNC FORMAT TIMING



### FRAME-SYNC FORMAT TIMING SPECIFICATION

For  $T_A = -40^\circ\text{C}$  to  $+105^\circ\text{C}$ , IOVDD = 1.65V to 3.6V, and DVDD = 1.65V to 2.2V, unless otherwise noted.

| SYMBOL                       | PARAMETER   | MIN             | TYP | MAX    | UNIT              |
|------------------------------|---|-----------------|-----|--------|-------------------|
| $t_{CLK}$                    | CLK period ( $1/f_{CLK}$ ) (see Table 7)                | High-Speed mode | 27  | 10,000 | ns                |
|                              |   | Other modes     | 37  | 10,000 | ns                |
| $t_{CPW}$                    | CLK positive or negative pulse width                    | 11              |     |        | ns                |
| $t_{CS}$                     | Falling edge of CLK to falling edge of SCLK             | -0.25           |     | 0.25   | $t_{CLK}$         |
| $t_{FRAME}$                  | Frame period ( $1/f_{DATA}$ ) <sup>(1)</sup>            | 256             |     | 2560   | $t_{CLK}$         |
| $t_{FPW}$                    | FSYNC positive or negative pulse width                  | 1               |     |        | $t_{SCLK}$        |
| $t_{FS}$                     | Rising edge of FSYNC to rising edge of SCLK             | 5               |     |        | ns                |
| $t_{SF}$                     | Rising edge of SCLK to rising edge of FSYNC             | 5               |     |        | ns                |
| $t_{SCLK}$                   | SCLK period <sup>(2)</sup>                              | 1               |     |        | $t_{CLK}$         |
| $t_{SPW}$                    | SCLK positive or negative pulse width                   | 0.4             |     |        | $t_{CLK}$         |
| $t_{DOHD}$ <sup>(3)(4)</sup> | SCLK falling edge to old DOUT invalid (hold time)       | 10              |     |        | ns                |
| $t_{DOPD}$ <sup>(4)</sup>    | SCLK falling edge to new DOUT valid (propagation delay) |                 |     | 31     | ns                |
|                              |   |                 |     | 21     | ns <sup>(5)</sup> |
|                              |   |                 |     | 25     | ns <sup>(6)</sup> |
| $t_{MSBPD}$                  | FSYNC rising edge to DOUT MSB valid (propagation delay) |                 |     | 31     | ns                |
|                              |   |                 |     | 21     | ns <sup>(5)</sup> |
|                              |   |                 |     | 25     | ns <sup>(6)</sup> |
| $t_{DIST}$                   | New DIN valid to falling edge of SCLK (setup time)      | 6               |     |        | ns                |
| $t_{DIHD}$ <sup>(3)</sup>    | Old DIN valid to falling edge of SCLK (hold time)       | 6               |     |        | ns                |

(1) Depends on MODE[1:0] and CLKDIV selection. See Table 8 ( $f_{CLK}/f_{DATA}$ ).

(2) SCLK must be continuously running and limited to ratios of 1, 1/2, 1/4, and 1/8 of  $f_{CLK}$ .

(3)  $t_{DOHD}$  (DOUT hold time) and  $t_{DIHD}$  (DIN hold time) are specified under opposite worst-case conditions (digital supply voltage and ambient temperature). Under equal conditions, with DOUT connected directly to DIN, the timing margin is > 4ns.

(4) Load on DOUT = 20pF.

(5) DOUT1, TDM mode, IOVDD = 3.15V to 3.45V, and DVDD = 2V to 2.2V.

(6) DOUT1, TDM mode, IOVDD = 3.15V to 3.45V, and DVDD = 1.7V to 1.9V.

**TYPICAL CHARACTERISTICS**

At  $T_A = +25^\circ\text{C}$ , High-Speed mode,  $AVDD = +5\text{V}$ ,  $DVDD = +1.8\text{V}$ ,  $IOVDD = +3.3\text{V}$ ,  $f_{\text{CLK}} = 27\text{MHz}$ ,  $V_{\text{REFP}} = 2.5\text{V}$ , and  $V_{\text{REFN}} = 0\text{V}$ , unless otherwise noted.

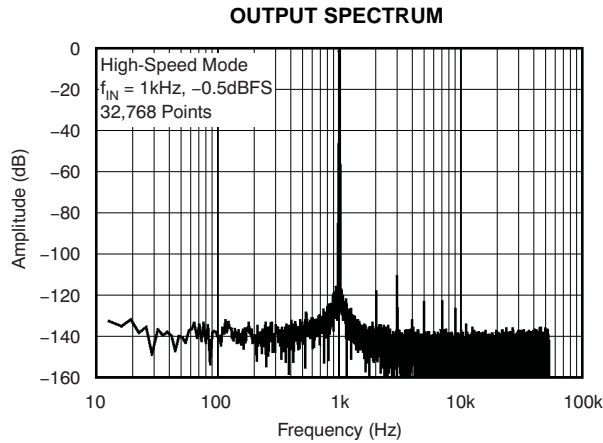


Figure 1.

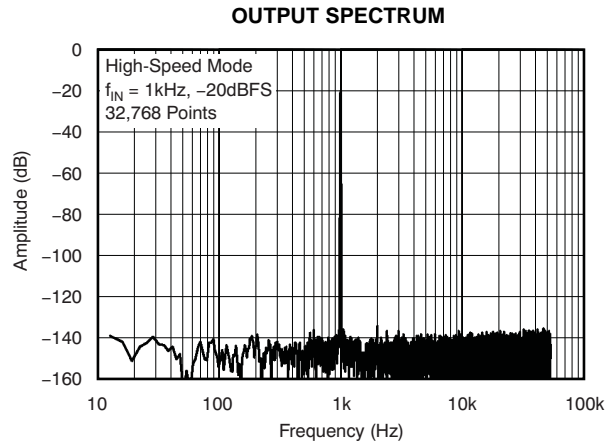


Figure 2.

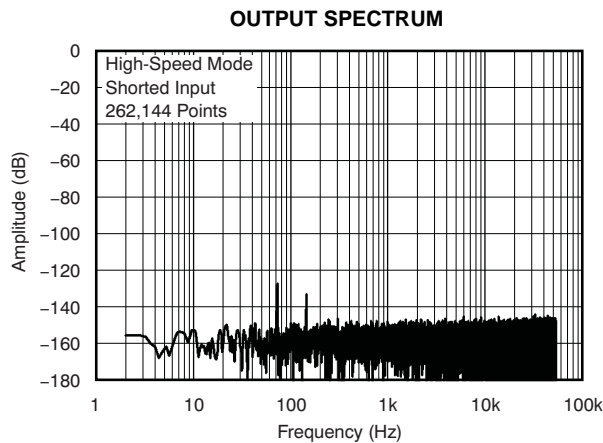


Figure 3.

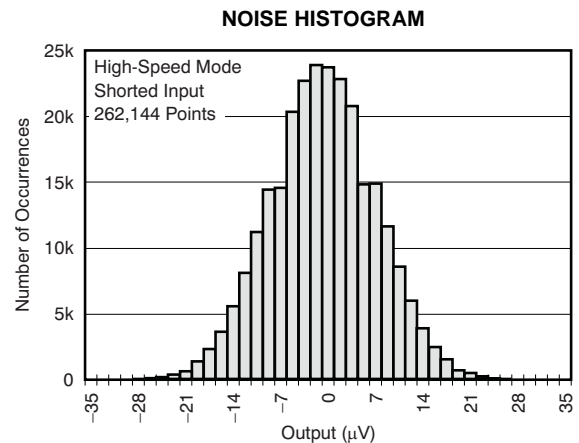


Figure 4.

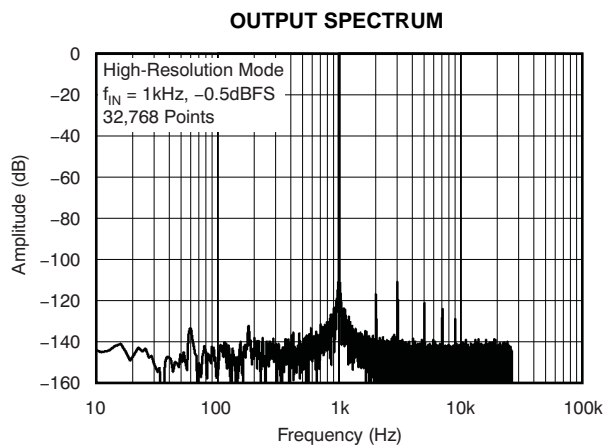


Figure 5.

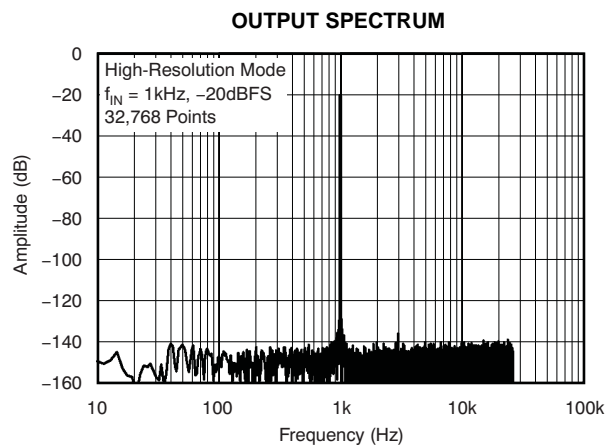
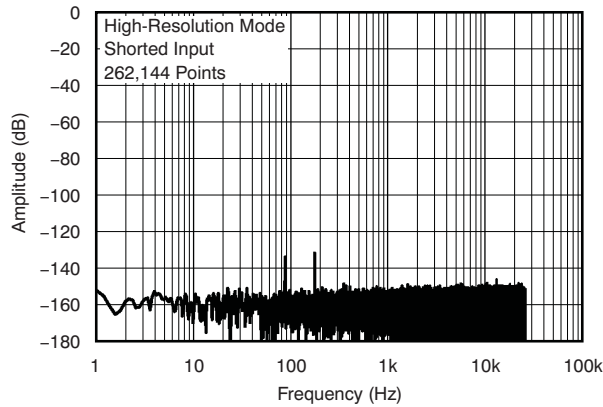


Figure 6.

**TYPICAL CHARACTERISTICS (continued)**

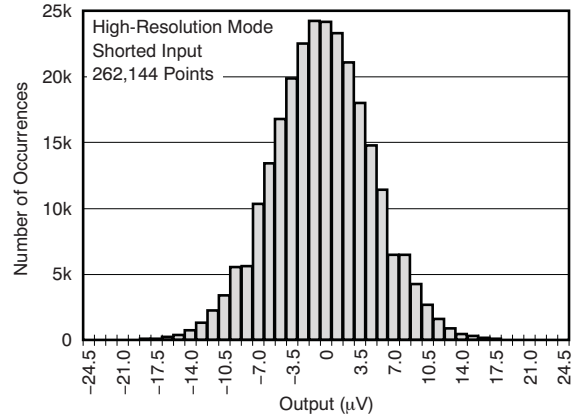
At  $T_A = +25^\circ\text{C}$ , High-Speed mode,  $AVDD = +5\text{V}$ ,  $DVDD = +1.8\text{V}$ ,  $IOVDD = +3.3\text{V}$ ,  $f_{\text{CLK}} = 27\text{MHz}$ ,  $V_{\text{REFP}} = 2.5\text{V}$ , and  $V_{\text{REFN}} = 0\text{V}$ , unless otherwise noted.

**OUTPUT SPECTRUM**



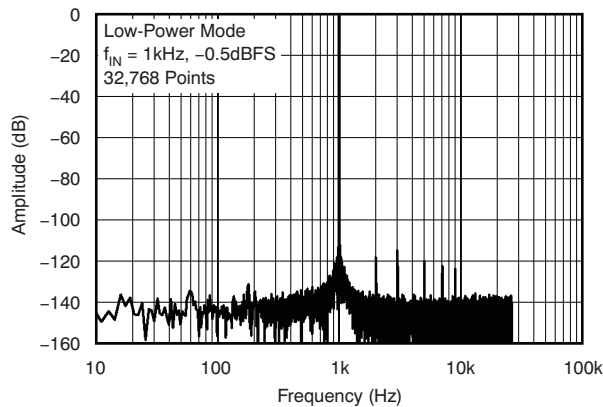
**Figure 7.**

**NOISE HISTOGRAM**



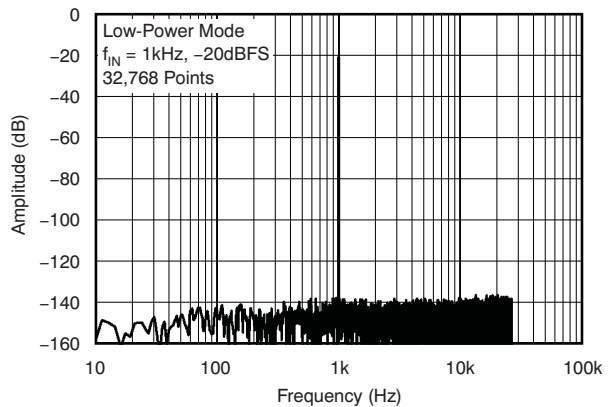
**Figure 8.**

**OUTPUT SPECTRUM**



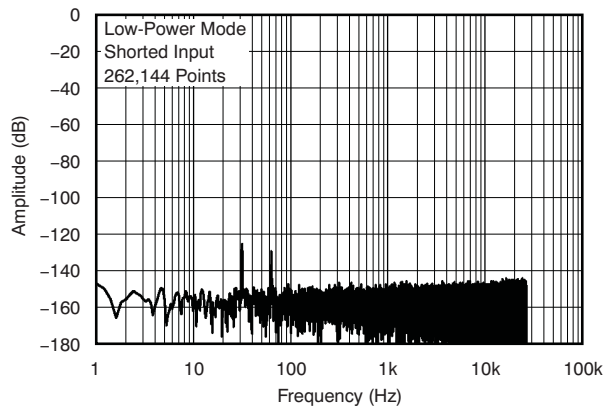
**Figure 9.**

**OUTPUT SPECTRUM**



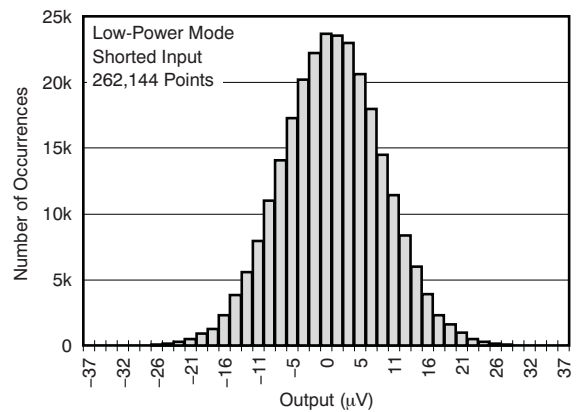
**Figure 10.**

**OUTPUT SPECTRUM**



**Figure 11.**

**NOISE HISTOGRAM**

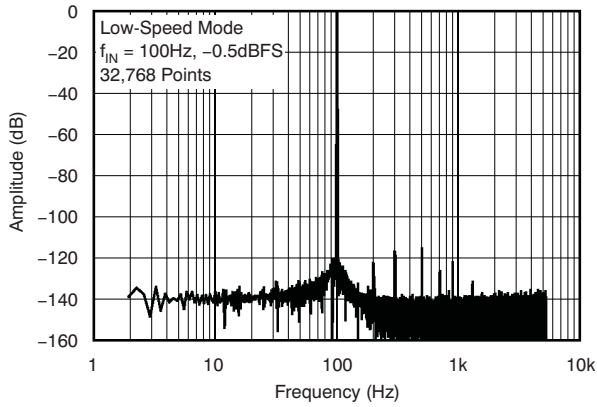


**Figure 12.**

**TYPICAL CHARACTERISTICS (continued)**

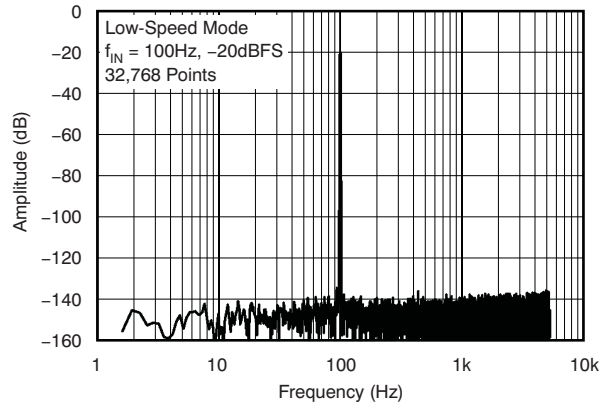
At  $T_A = +25^\circ\text{C}$ , High-Speed mode,  $AV_{DD} = +5\text{V}$ ,  $DV_{DD} = +1.8\text{V}$ ,  $IOV_{DD} = +3.3\text{V}$ ,  $f_{\text{CLK}} = 27\text{MHz}$ ,  $V_{\text{REFP}} = 2.5\text{V}$ , and  $V_{\text{REFN}} = 0\text{V}$ , unless otherwise noted.

**OUTPUT SPECTRUM**



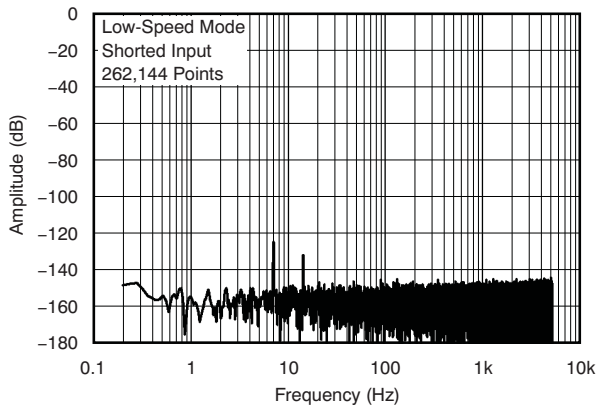
**Figure 13.**

**OUTPUT SPECTRUM**



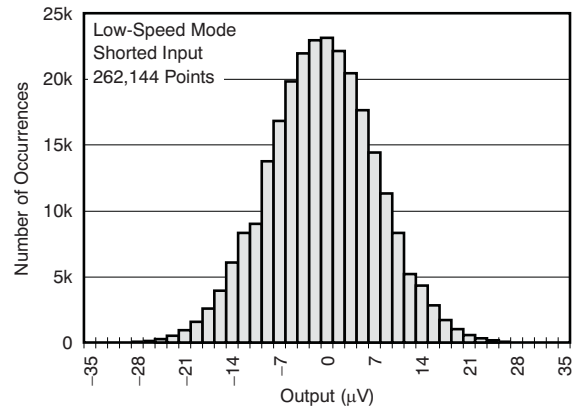
**Figure 14.**

**OUTPUT SPECTRUM**



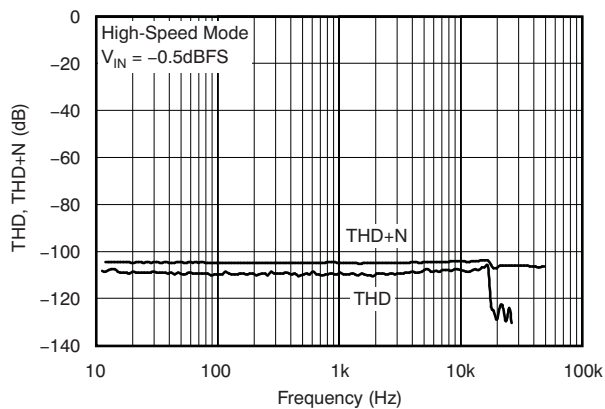
**Figure 15.**

**NOISE HISTOGRAM**



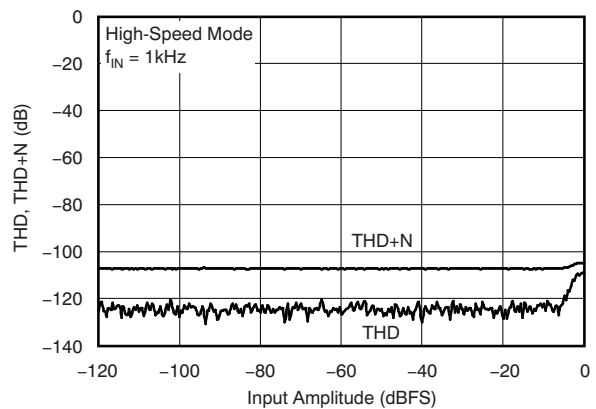
**Figure 16.**

**TOTAL HARMONIC DISTORTION vs FREQUENCY**



**Figure 17.**

**TOTAL HARMONIC DISTORTION vs INPUT AMPLITUDE**



**Figure 18.**

**TYPICAL CHARACTERISTICS (continued)**

At  $T_A = +25^\circ\text{C}$ , High-Speed mode,  $AVDD = +5\text{V}$ ,  $DVDD = +1.8\text{V}$ ,  $IOVDD = +3.3\text{V}$ ,  $f_{\text{CLK}} = 27\text{MHz}$ ,  $V_{\text{REFP}} = 2.5\text{V}$ , and  $V_{\text{REFN}} = 0\text{V}$ , unless otherwise noted.

**TOTAL HARMONIC DISTORTION vs FREQUENCY**

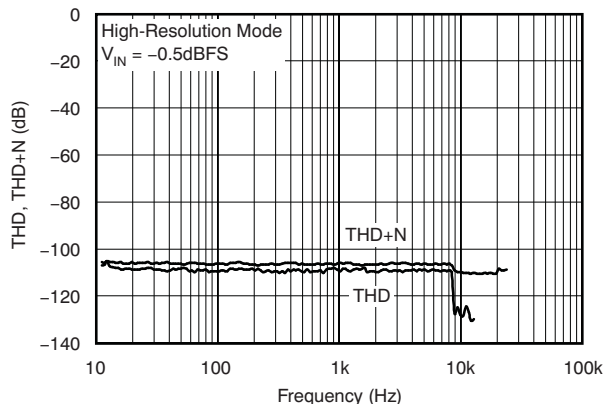


Figure 19.

**TOTAL HARMONIC DISTORTION vs INPUT AMPLITUDE**

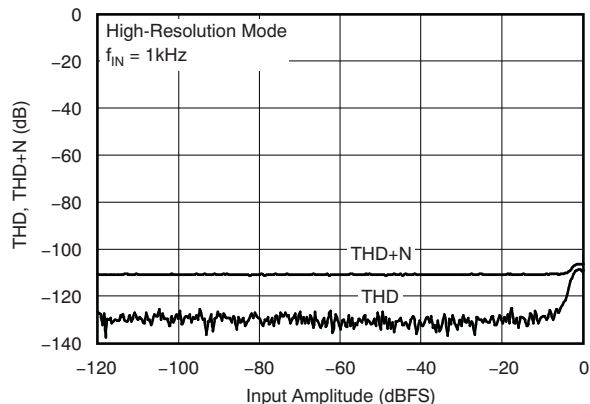


Figure 20.

**TOTAL HARMONIC DISTORTION vs FREQUENCY**

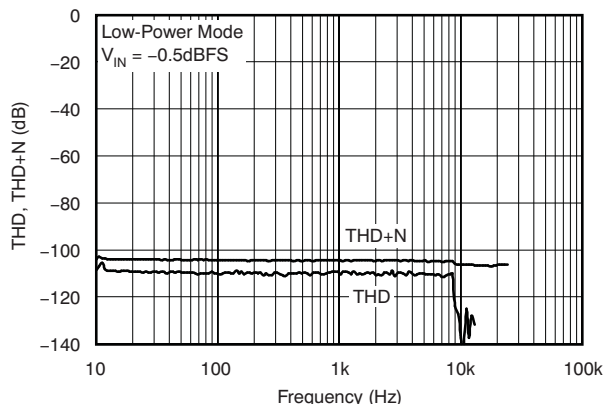


Figure 21.

**TOTAL HARMONIC DISTORTION vs INPUT AMPLITUDE**

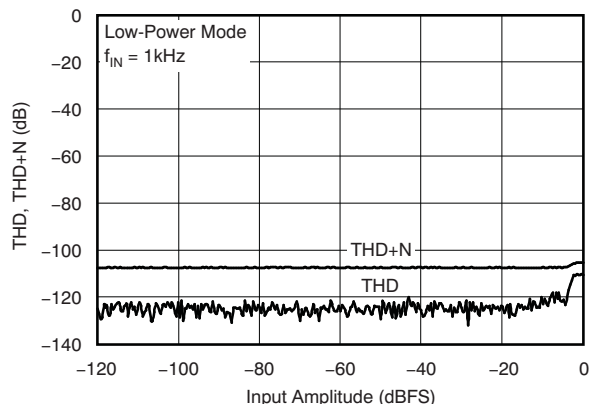


Figure 22.

**TOTAL HARMONIC DISTORTION vs FREQUENCY**

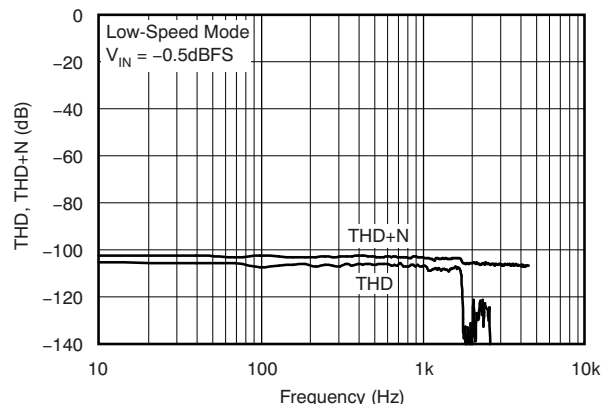


Figure 23.

**TOTAL HARMONIC DISTORTION vs INPUT AMPLITUDE**

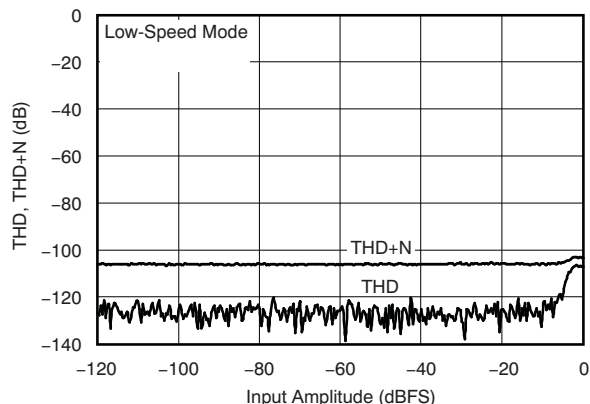
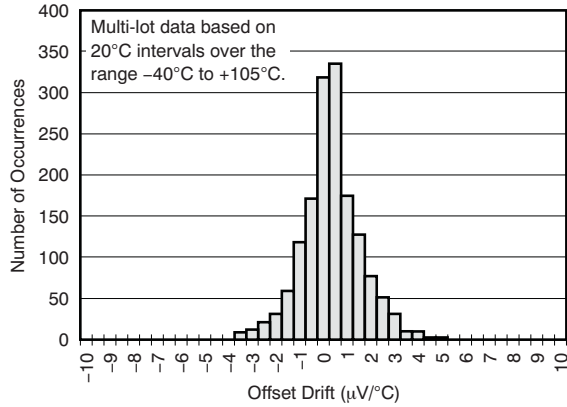


Figure 24.

**TYPICAL CHARACTERISTICS (continued)**

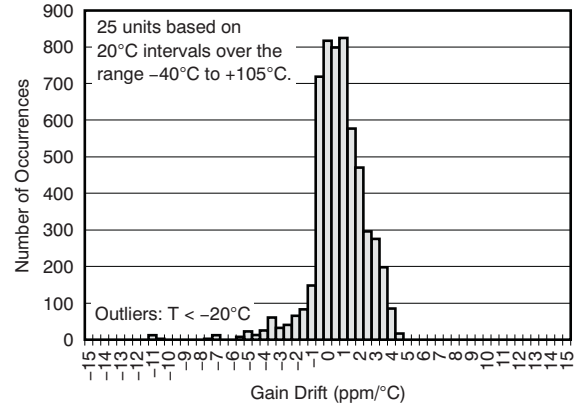
At  $T_A = +25^\circ\text{C}$ , High-Speed mode,  $AV_{DD} = +5\text{V}$ ,  $DV_{DD} = +1.8\text{V}$ ,  $IOV_{DD} = +3.3\text{V}$ ,  $f_{CLK} = 27\text{MHz}$ ,  $V_{REFP} = 2.5\text{V}$ , and  $V_{REFN} = 0\text{V}$ , unless otherwise noted.

**OFFSET DRIFT HISTOGRAM**



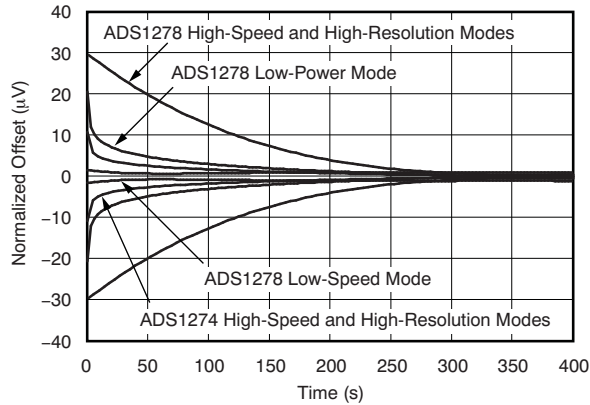
**Figure 25.**

**GAIN DRIFT HISTOGRAM**



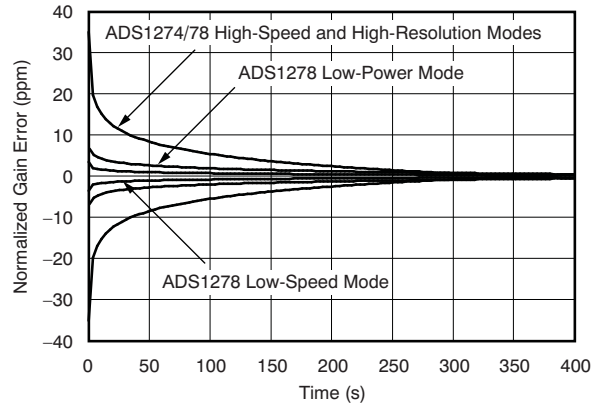
**Figure 26.**

**OFFSET WARMUP DRIFT RESPONSE BAND**



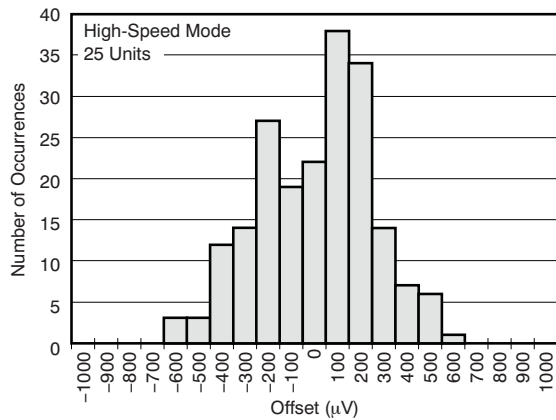
**Figure 27.**

**GAIN WARMUP DRIFT RESPONSE BAND**



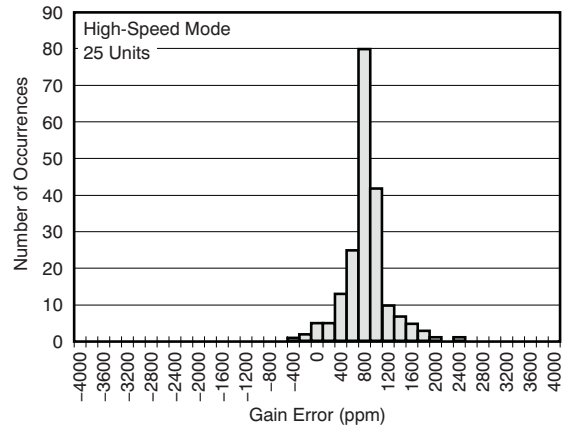
**Figure 28.**

**OFFSET ERROR HISTOGRAM**



**Figure 29.**

**GAIN ERROR HISTOGRAM**



**Figure 30.**

**TYPICAL CHARACTERISTICS (continued)**

At  $T_A = +25^\circ\text{C}$ , High-Speed mode,  $AVDD = +5\text{V}$ ,  $DVDD = +1.8\text{V}$ ,  $IOVDD = +3.3\text{V}$ ,  $f_{\text{CLK}} = 27\text{MHz}$ ,  $V\text{REFP} = 2.5\text{V}$ , and  $V\text{REFN} = 0\text{V}$ , unless otherwise noted.

**CHANNEL GAIN MATCH HISTOGRAM**

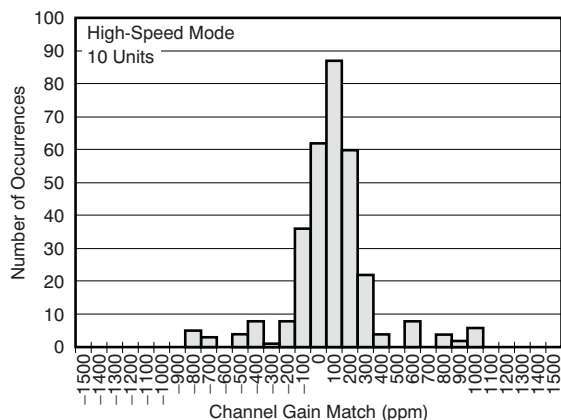


Figure 31.

**CHANNEL OFFSET MATCH HISTOGRAM**

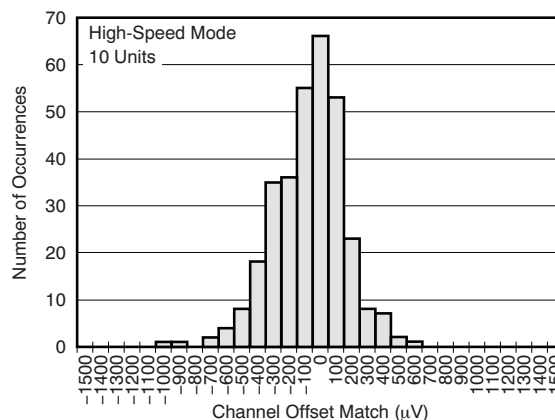


Figure 32.

**OFFSET AND GAIN vs TEMPERATURE**

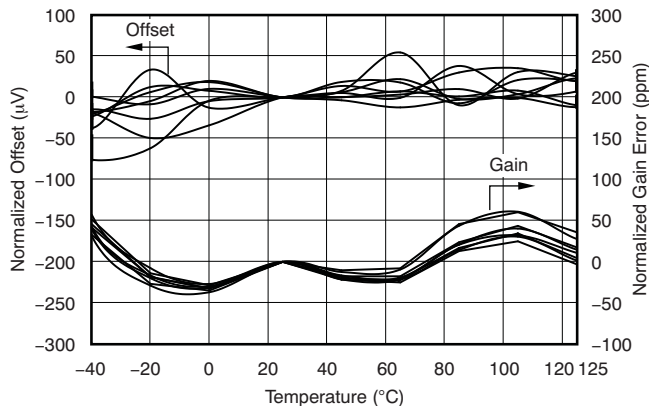


Figure 33.

**VCOM VOLTAGE OUTPUT HISTOGRAM**

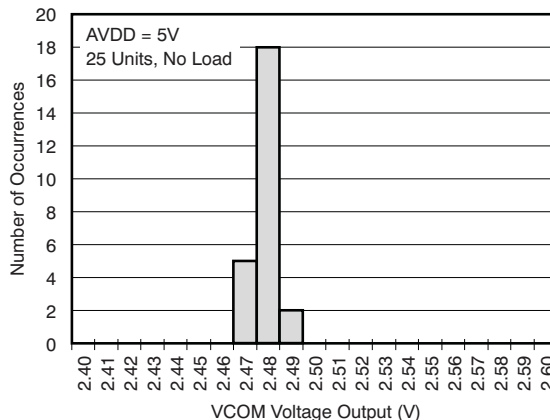


Figure 34.

**ADS1274/ADS1278 SAMPLING MATCH ERROR HISTOGRAM**

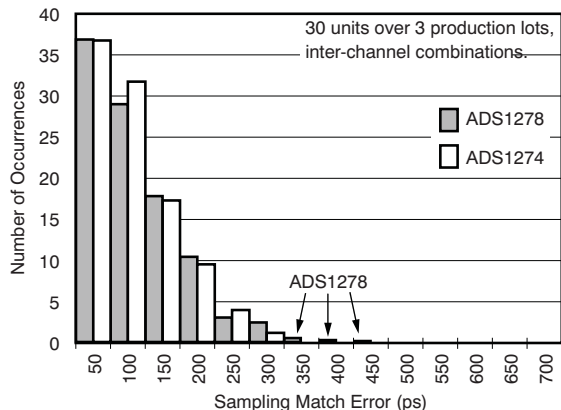


Figure 35.

**ADS1274 REFERENCE INPUT DIFFERENTIAL IMPEDANCE vs TEMPERATURE**

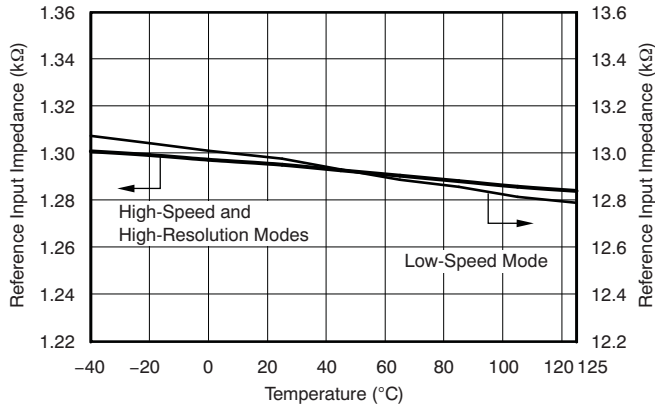


Figure 36.

**TYPICAL CHARACTERISTICS (continued)**

At  $T_A = +25^\circ\text{C}$ , High-Speed mode,  $AV_{DD} = +5\text{V}$ ,  $DV_{DD} = +1.8\text{V}$ ,  $IOV_{DD} = +3.3\text{V}$ ,  $f_{\text{CLK}} = 27\text{MHz}$ ,  $V_{\text{REFP}} = 2.5\text{V}$ , and  $V_{\text{REFN}} = 0\text{V}$ , unless otherwise noted.

**ADS1278 REFERENCE INPUT DIFFERENTIAL IMPEDANCE vs TEMPERATURE**

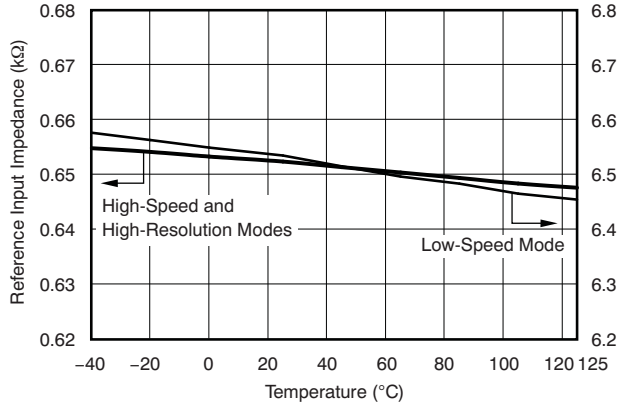


Figure 37.

**ANALOG INPUT DIFFERENTIAL IMPEDANCE vs TEMPERATURE**

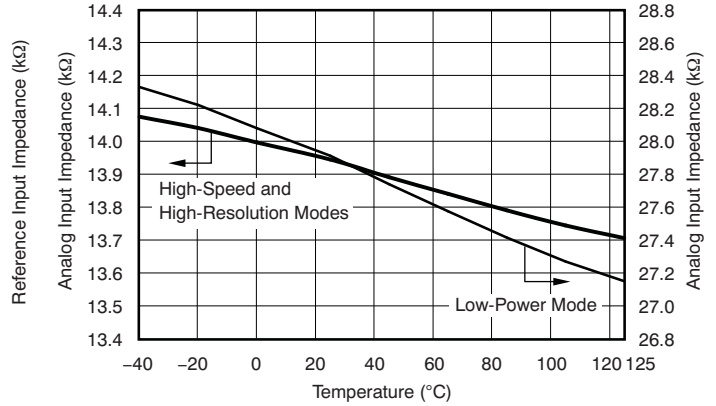


Figure 38.

**ANALOG INPUT DIFFERENTIAL IMPEDANCE vs TEMPERATURE**

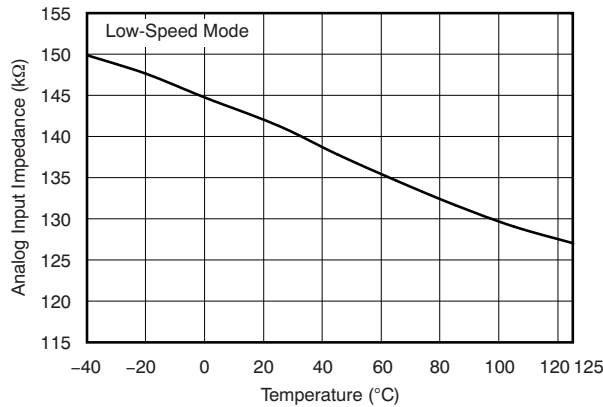


Figure 39.

**INTEGRAL NONLINEARITY vs TEMPERATURE**

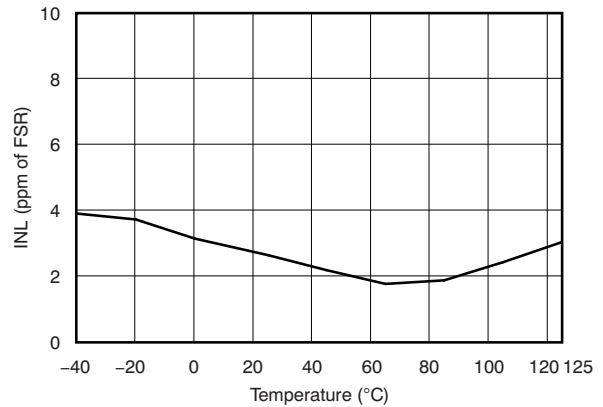


Figure 40.

**LINEARITY ERROR vs INPUT LEVEL**

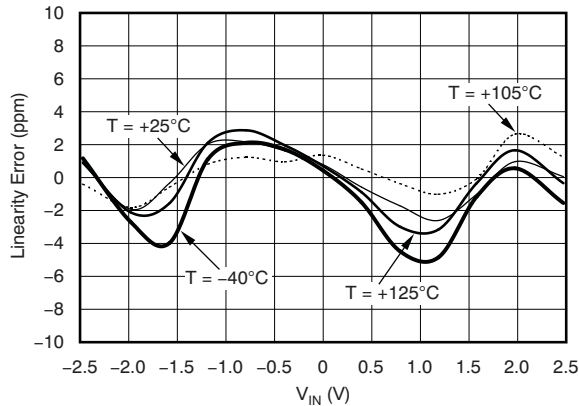


Figure 41.

**LINEARITY AND TOTAL HARMONIC DISTORTION vs REFERENCE VOLTAGE**

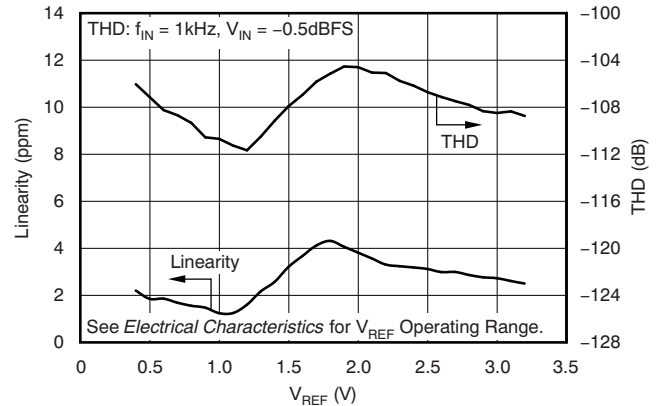


Figure 42.



**TYPICAL CHARACTERISTICS (continued)**

At  $T_A = +25^\circ\text{C}$ , High-Speed mode,  $AVDD = +5\text{V}$ ,  $DVDD = +1.8\text{V}$ ,  $IOVDD = +3.3\text{V}$ ,  $f_{\text{CLK}} = 27\text{MHz}$ ,  $V_{\text{REFP}} = 2.5\text{V}$ , and  $V_{\text{REFN}} = 0\text{V}$ , unless otherwise noted.

**NOISE AND LINEARITY  
vs INPUT COMMON-MODE VOLTAGE**

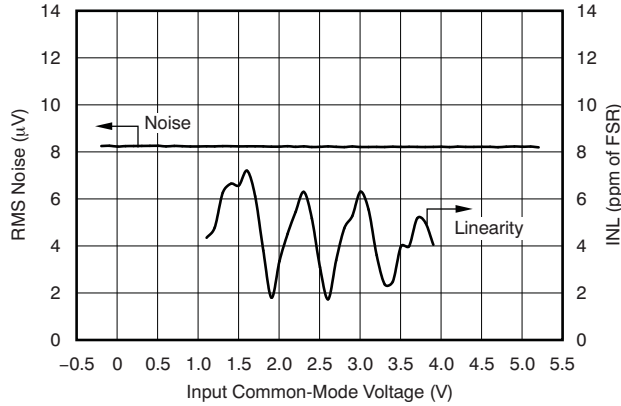


Figure 43.

**NOISE vs TEMPERATURE**

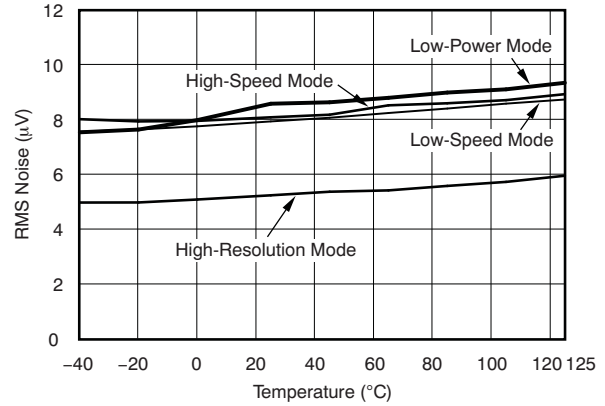


Figure 44.

**NOISE vs REFERENCE VOLTAGE**

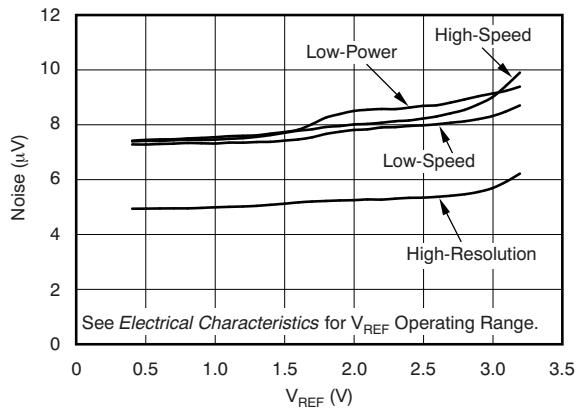


Figure 45.

**TOTAL HARMONIC DISTORTION AND NOISE  
vs CLK**

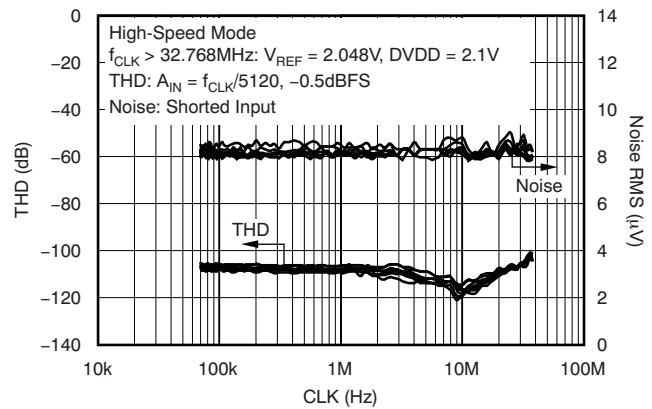


Figure 46.

**COMMON-MODE REJECTION  
vs INPUT FREQUENCY**

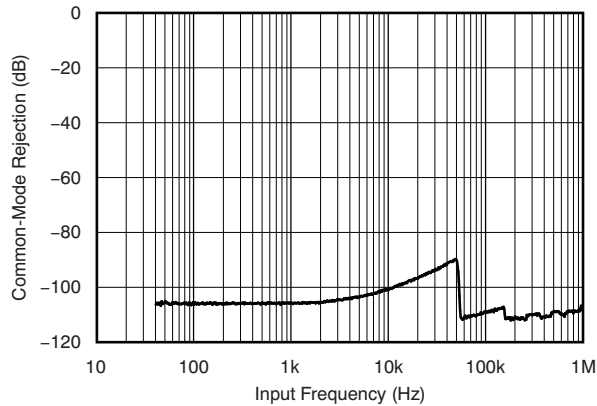


Figure 47.

**POWER-SUPPLY REJECTION  
vs POWER-SUPPLY FREQUENCY**

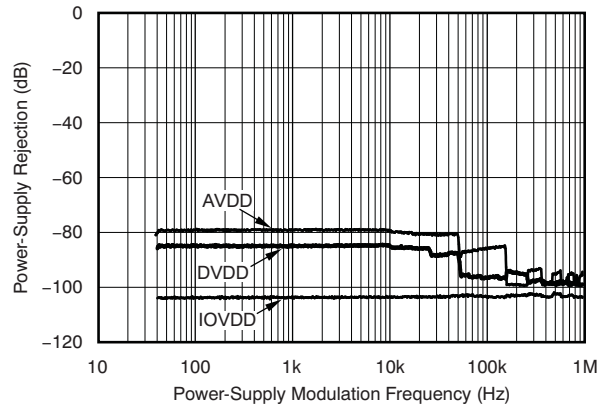


Figure 48.

**TYPICAL CHARACTERISTICS (continued)**

At  $T_A = +25^\circ\text{C}$ , High-Speed mode, AVDD = +5V, DVDD = +1.8V, IOVDD = +3.3V,  $f_{\text{CLK}} = 27\text{MHz}$ , VREFP = 2.5V, and VREFN = 0V, unless otherwise noted.

**ADS1274 AVDD CURRENT vs TEMPERATURE**

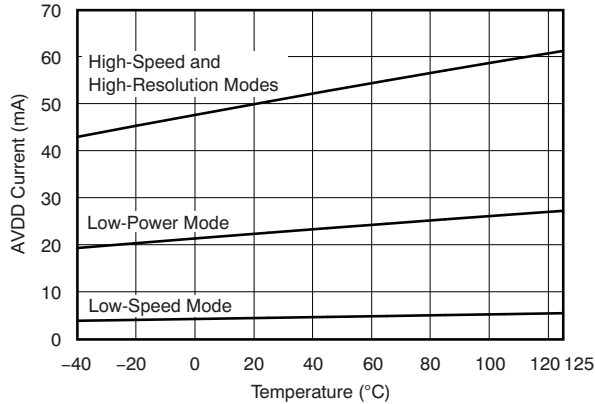


Figure 49.

**ADS1274 DVDD CURRENT vs TEMPERATURE**

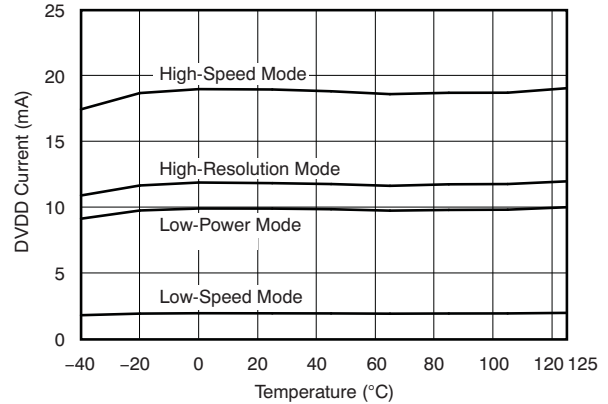


Figure 50.

**ADS1274 IOVDD CURRENT vs TEMPERATURE**

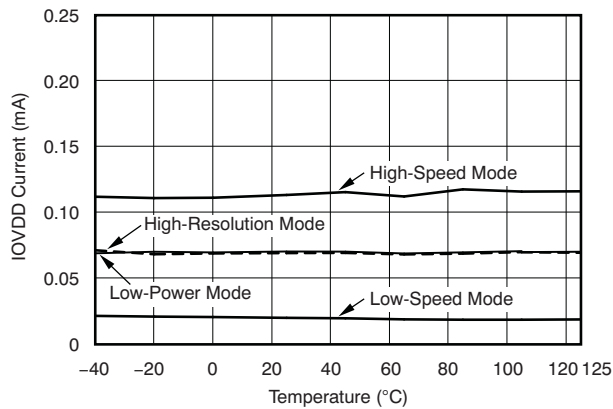


Figure 51.

**ADS1274 POWER DISSIPATION vs TEMPERATURE**

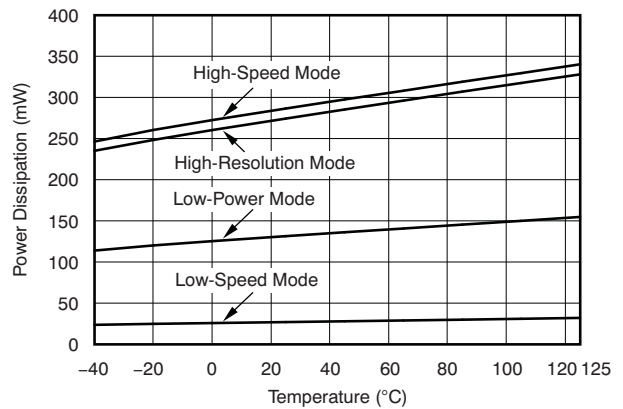


Figure 52.

**ADS1278 AVDD CURRENT vs TEMPERATURE**

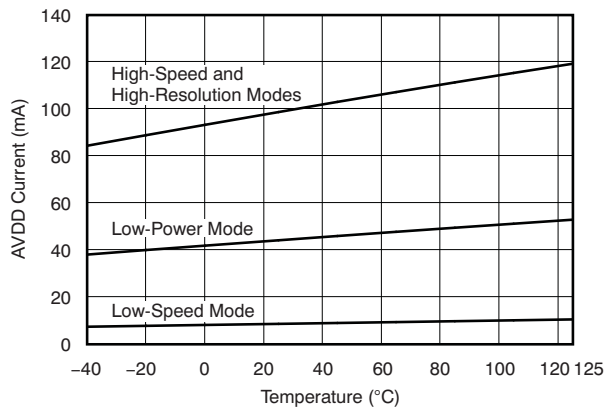


Figure 53.

**ADS1278 DVDD CURRENT vs TEMPERATURE**

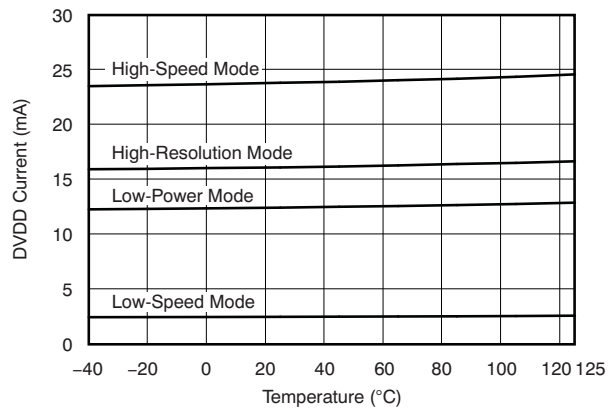
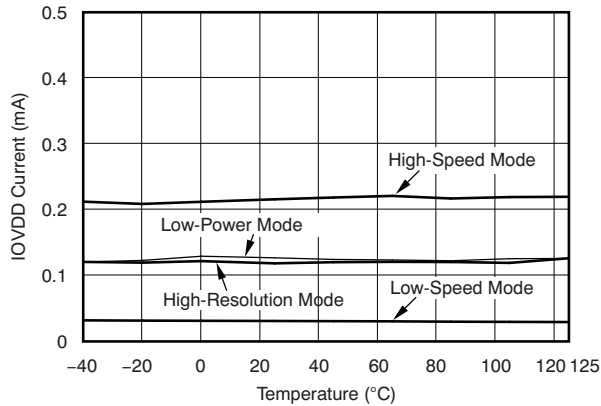


Figure 54.

**TYPICAL CHARACTERISTICS (continued)**

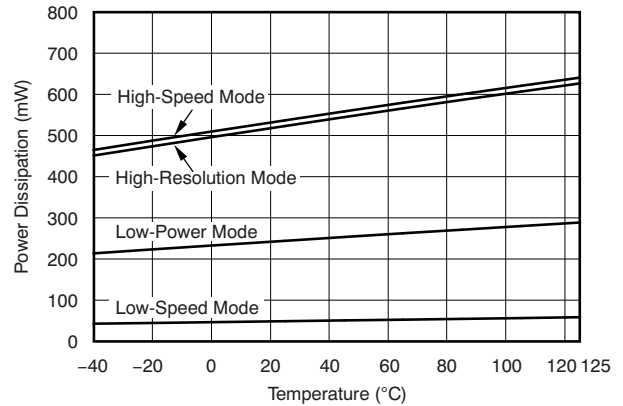
At  $T_A = +25^\circ\text{C}$ , High-Speed mode,  $AVDD = +5\text{V}$ ,  $DVDD = +1.8\text{V}$ ,  $IOVDD = +3.3\text{V}$ ,  $f_{\text{CLK}} = 27\text{MHz}$ ,  $V_{\text{REFP}} = 2.5\text{V}$ , and  $V_{\text{REFN}} = 0\text{V}$ , unless otherwise noted.

**ADS1278 IOVDD CURRENT  
vs TEMPERATURE**



**Figure 55.**

**ADS1278 POWER DISSIPATION  
vs TEMPERATURE**



**Figure 56.**

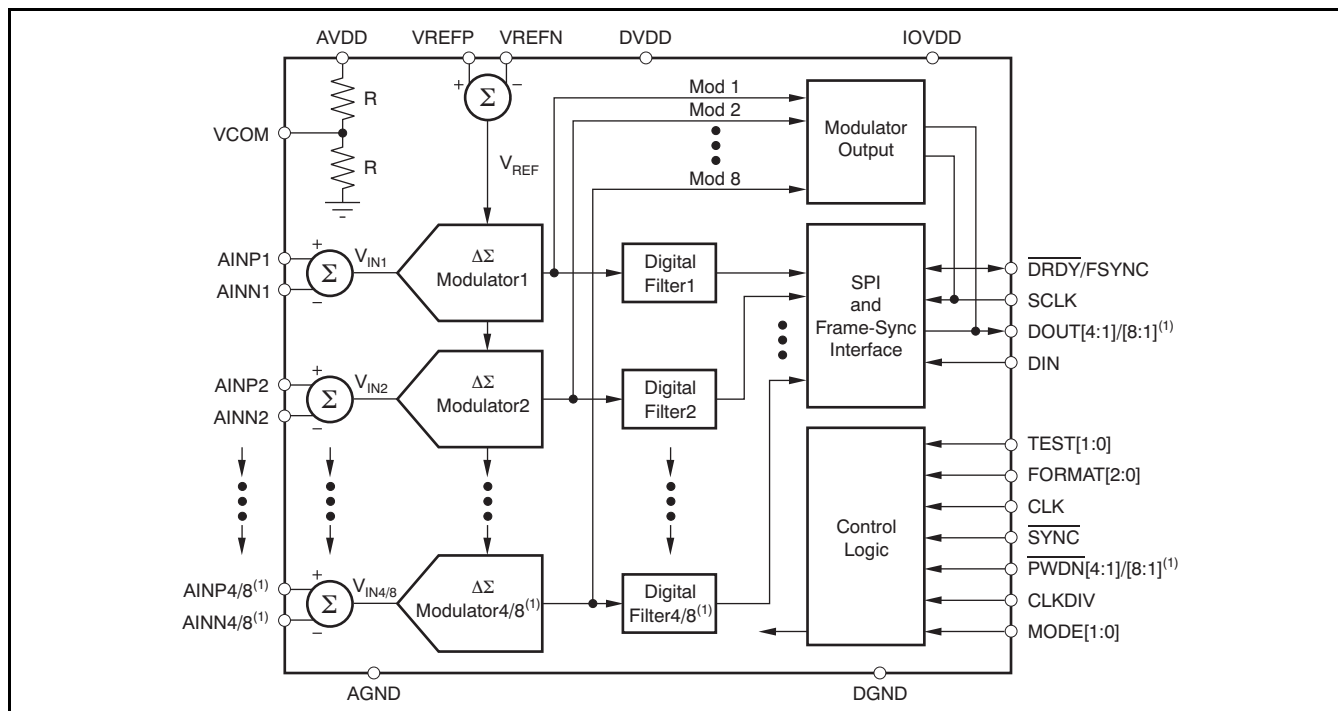
## OVERVIEW

The ADS1274 (quad) and ADS1278 (octal) are 24-bit, delta-sigma ADCs based on the single-channel ADS1271. They offer the combination of outstanding dc accuracy and superior ac performance. Figure 57 shows the block diagram. Note that both devices are functionally the same, except that the ADS1274 has four ADCs and the ADS1278 has eight ADCs. The packages are identical, and the ADS1274 pinout is compatible with the ADS1278, permitting true drop-in expandability. The converters are comprised of four (ADS1274) or eight (ADS1278) advanced, 6th-order, chopper-stabilized, delta-sigma modulators followed by low-ripple, linear phase FIR filters. The modulators measure the differential input signal,  $V_{IN} = (AINP - AINN)$ , against the differential reference,  $V_{REF} = (VREFP - VREFN)$ . The digital filters receive the modulator signal and provide a low-noise digital output. To allow tradeoffs among speed, resolution, and power, four operating modes are supported:

High-Speed, High-Resolution, Low-Power, and Low-Speed. Table 2 summarizes the performance of each mode.

In High-Speed mode, the maximum data rate is 144kSPS. In High-Resolution mode, the SNR = 111dB ( $V_{REF} = 3.0V$ ); in Low-Power mode, the power dissipation is 31mW/channel; and in Low-Speed mode, the power dissipation is only 7mW/channel at 10.5kSPS. The digital filters can be bypassed, enabling direct access to the modulator output.

The ADS1274/78 is configured by simply setting the appropriate I/O pins—there are no registers to program. Data are retrieved over a serial interface that supports both SPI and Frame-Sync formats. The ADS1274/78 has a daisy-chainable output and the ability to synchronize externally, so it can be used conveniently in systems requiring more than eight channels.



(1) The ADS1274 has four channels; the ADS1278 has eight channels.

Figure 57. ADS1274/ADS1278 Block Diagram

Table 2. Operating Mode Performance Summary

| MODE            | MAX DATA RATE (SPS) | PASSBAND (kHz) | SNR (dB) | NOISE ( $\mu V_{RMS}$ ) | POWER/CHANNEL (mW) |
|-----------------|---------------------|----------------|----------|-------------------------|--------------------|
| High-Speed      | 144,531             | 65,472         | 106      | 8.5                     | 70 <sup>(1)</sup>  |
| High-Resolution | 52,734              | 23,889         | 110      | 5.5                     | 64                 |
| Low-Power       | 52,734              | 23,889         | 106      | 8.5                     | 31                 |
| Low-Speed       | 10,547              | 4,798          | 107      | 8.0                     | 7                  |

(1) Specified at 105kSPS.

## FUNCTIONAL DESCRIPTION

The ADS1274/78 is a delta-sigma ADC consisting of four/eight independent converters that digitize four/eight input signals in parallel.

The converter is composed of two main functional blocks to perform the ADC conversions: the modulator and the digital filter. The modulator samples the input signal together with sampling the reference voltage to produce a 1s density output stream. The density of the output stream is proportional to the analog input level relative to the reference voltage. The pulse stream is filtered by the internal digital filter where the output conversion result is produced.

In operation, the input signal is sampled by the modulator at a high rate (typically 64x higher than the final output data rate). The quantization noise of the modulator is moved to a higher frequency range where the internal digital filter removes it. Oversampling results in very low levels of noise within the signal passband.

Since the input signal is sampled at a very high rate, input signal aliasing does not occur until the input signal frequency is at the modulator sampling rate. This architecture greatly relaxes the requirement of external antialiasing filters because of the high modulator sampling rate.

## SAMPLING APERTURE MATCHING

The ADS1274/78 converters operate from the same CLK input. The CLK input controls the timing of the modulator sampling instant. The converter is designed such that the sampling skew, or modulator sampling aperture match between channels, is

controlled. Furthermore, the digital filters are synchronized to start the convolution phase at the same modulator clock cycle. This design results in excellent phase match among the ADS1274/78 channels.

[Figure 35](#) shows the inter-device channel sample matching for the ADS1274 and ADS1278.

The phase match of one 4-channel ADS1274 to that of another ADS1274 (eight or more channels total) may not have the same degree of sampling match. As a result of manufacturing variations, differences in internal propagation delay of the internal CLK signal coupled with differences of the arrival of the external CLK signal to each device may cause larger sampling match errors. Equal length CLK traces or external clock distribution devices can be used to reduce the sampling match error between devices.

## FREQUENCY RESPONSE

The digital filter sets the overall frequency response. The filter uses a multi-stage FIR topology to provide linear phase with minimal passband ripple and high stop band attenuation. The filter coefficients are identical to the coefficients used in the [ADS1271](#). The oversampling ratio of the digital filter (that is, the ratio of the modulator sampling to the output data rate, or  $f_{MOD}/f_{DATA}$ ) is a function of the selected mode, as shown in [Table 3](#).

**Table 3. Oversampling Ratio versus Mode**

| MODE SELECTION  | OVERSAMPLING RATIO ( $f_{MOD}/f_{DATA}$ ) |
|-----------------|---|
| High-Speed      | 64  |
| High-Resolution | 128                                       |
| Low-Power       | 64  |
| Low-Speed       | 64  |

### High-Speed, Low-Power, and Low-Speed Modes

The digital filter configuration is the same in High-Speed, Low-Power, and Low-Speed modes with the oversampling ratio set to 64. Figure 58 shows the frequency response in High-Speed, Low-Power, and Low-Speed modes normalized to  $f_{DATA}$ . Figure 59 shows the passband ripple. The transition from passband to stop band is shown in Figure 60. The overall frequency response repeats at 64x multiples of the modulator frequency  $f_{MOD}$ , as shown in Figure 61.

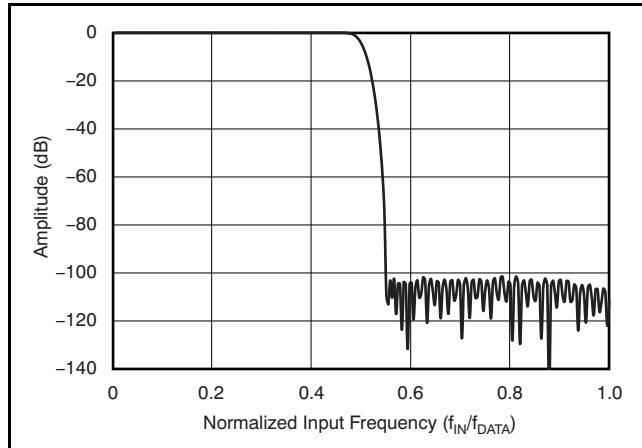


Figure 58. Frequency Response for High-Speed, Low-Power, and Low-Speed Modes

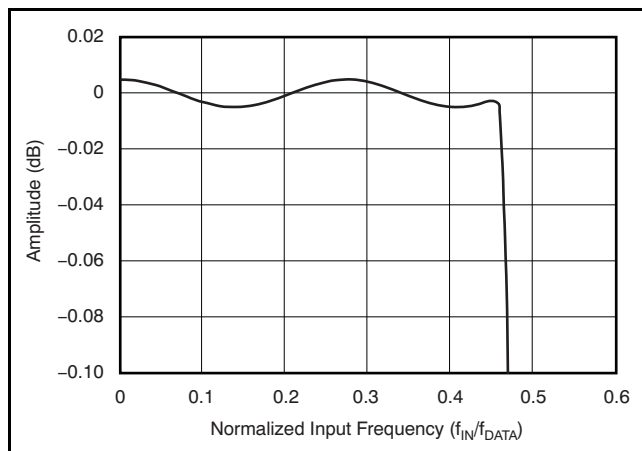


Figure 59. Passband Response for High-Speed, Low-Power, and Low-Speed Modes

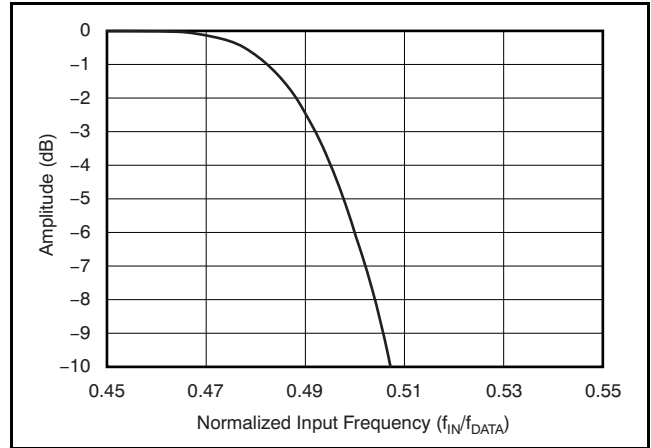


Figure 60. Transition Band Response for High-Speed, Low-Power, and Low-Speed Modes

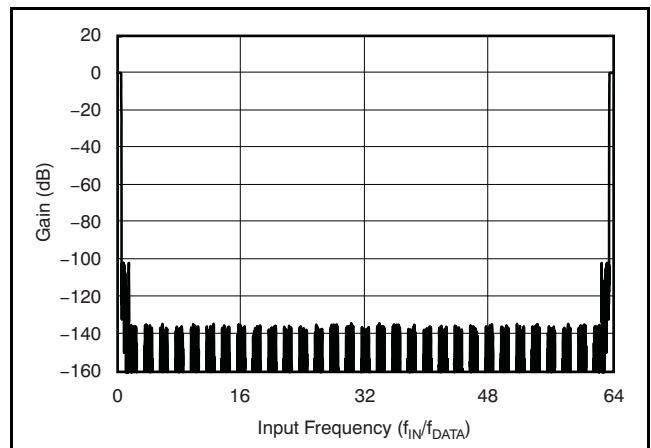


Figure 61. Frequency Response Out to  $f_{MOD}$  for High-Speed, Low-Power, and Low-Speed Modes

These image frequencies, if present in the signal and not externally filtered, will fold back (or alias) into the passband, causing errors. The stop band of the ADS1274/78 provides 100dB attenuation of frequencies that begin just beyond the passband and continue out to  $f_{MOD}$ . Placing an antialiasing, low-pass filter in front of the ADS1274/78 inputs is recommended to limit possible high-amplitude, out-of-band signals and noise. Often, a simple RC filter is sufficient. Table 4 lists the image rejection versus external filter order.

Table 4. Antialiasing Filter Order Image Rejection

| ANTIALIASING<br>FILTER ORDER | IMAGE REJECTION (dB)<br>( $f_{-3dB}$ at $f_{DATA}$ ) |     |
|------------------------------|--|-----|
|                              | HS, LP, LS   | HR  |
| 1                            | 39   | 45  |
| 2                            | 75   | 87  |
| 3                            | 111  | 129 |

### High-Resolution Mode

The oversampling ratio is 128 in High-Resolution mode. Figure 62 shows the frequency response in High-Resolution mode normalized to  $f_{DATA}$ . Figure 63 shows the passband ripple, and the transition from passband to stop band is shown in Figure 64. The overall frequency response repeats at multiples of the modulator frequency  $f_{MOD}$  ( $128 \times f_{DATA}$ ), as shown in Figure 65. The stop band of the ADS1274/78 provides 100dB attenuation of frequencies that begin just beyond the passband and continue out to  $f_{MOD}$ . Placing an antialiasing, low-pass filter in front of the ADS1274/78 inputs is recommended to limit possible high-amplitude out-of-band signals and noise. Often, a simple RC filter is sufficient. Table 4 lists the image rejection versus external filter order.

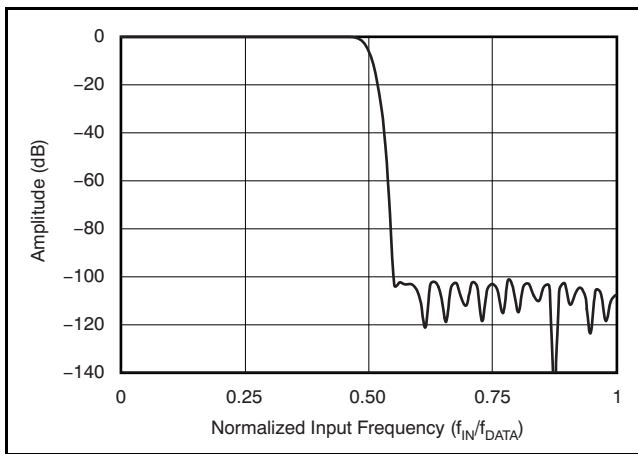


Figure 62. Frequency Response for High-Resolution Mode

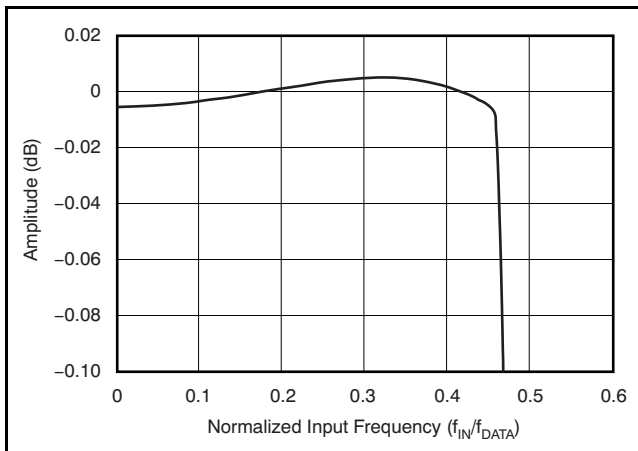


Figure 63. Passband Response for High-Resolution Mode

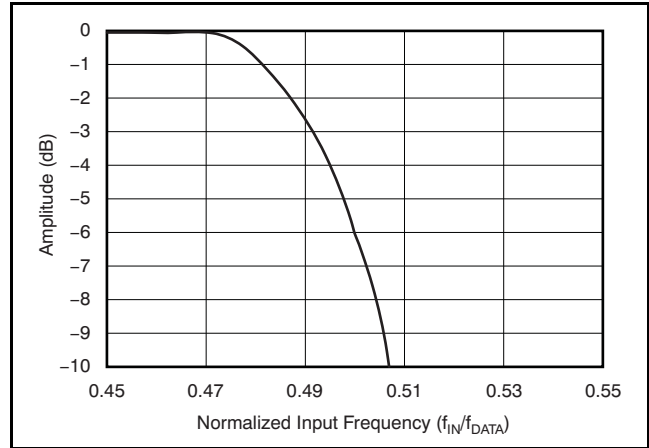


Figure 64. Transition Band Response for High-Resolution mode

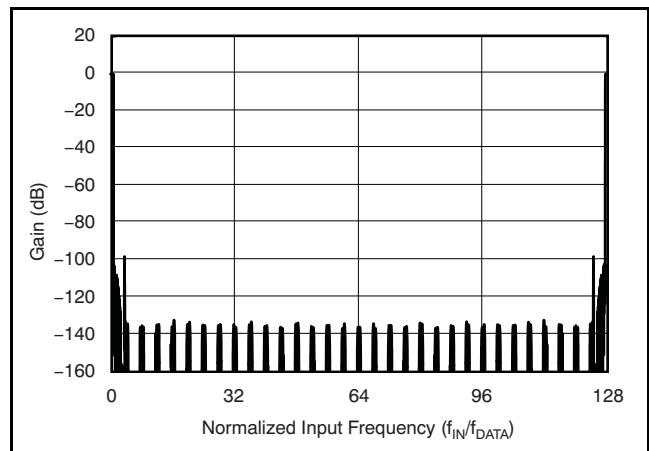


Figure 65. Frequency Response Out to  $f_{MOD}$  for High-Resolution Mode

## PHASE RESPONSE

The ADS1274/78 incorporates a multiple stage, linear phase digital filter. Linear phase filters exhibit constant delay time versus input frequency (constant group delay). This characteristic means the time delay from any instant of the input signal to the same instant of the output data is constant and is independent of input signal frequency. This behavior results in essentially zero phase errors when analyzing multi-tone signals.

## SETTLING TIME

As with frequency and phase response, the digital filter also determines settling time. Figure 66 shows the output settling behavior after a step change on the analog inputs normalized to conversion periods. The X-axis is given in units of conversion. Note that after the step change on the input occurs, the output data change very little prior to 30 conversion periods. The output data are fully settled after 76 conversion periods for High-Speed and Low-Power modes, and 78 conversion periods for High-Resolution mode.

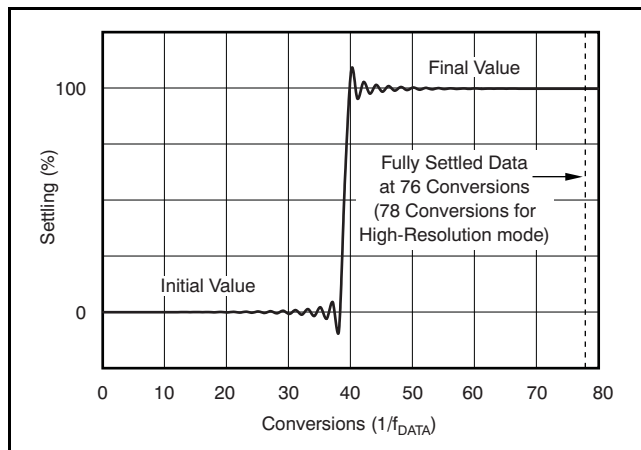


Figure 66. Step Response

## DATA FORMAT

The ADS1274/78 outputs 24 bits of data in twos complement format.

A positive full-scale input produces an ideal output code of 7FFFFFFh, and the negative full-scale input produces an ideal output code of 800000h. The output clips at these codes for signals exceeding full-scale. Table 5 summarizes the ideal output codes for different input signals.

Table 5. Ideal Output Code versus Input Signal

| INPUT SIGNAL $V_{IN}$<br>( $A_{INP} - A_{INN}$ )         | IDEAL OUTPUT CODE <sup>(1)</sup> |
|--|----------------------------------|
| $\geq +V_{REF}$  | 7FFFFFFh                         |
| $\frac{+V_{REF}}{2^{23} - 1}$                            | 000001h                          |
| 0  | 000000h                          |
| $\frac{-V_{REF}}{2^{23} - 1}$                            | FFFFFFh                          |
| $\leq -V_{REF} \left( \frac{2^{23}}{2^{23} - 1} \right)$ | 800000h                          |

(1) Excludes effects of noise, INL, offset, and gain errors.

## ANALOG INPUTS (A<sub>INP</sub>, A<sub>INN</sub>)

The ADS1274/78 measures each differential input signal  $V_{IN} = (A_{INP} - A_{INN})$  against the common differential reference  $V_{REF} = (V_{REFP} - V_{REFN})$ . The most positive measurable differential input is  $+V_{REF}$ , which produces the most positive digital output code of 7FFFFFFh. Likewise, the most negative measurable differential input is  $-V_{REF}$ , which produces the most negative digital output code of 800000h.

For optimum performance, the inputs of the ADS1274/78 are intended to be driven differentially. For single-ended applications, one of the inputs (A<sub>INP</sub> or A<sub>INN</sub>) can be driven while the other input is fixed (typically to AGND or +2.5V). Fixing the input to 2.5V permits bipolar operation, thereby allowing full use of the entire converter range.

While the ADS1274/78 measures the differential input signal, the absolute input voltage is also important. This value is the voltage on either input (A<sub>INP</sub> or A<sub>INN</sub>) with respect to AGND. The range for this voltage is:

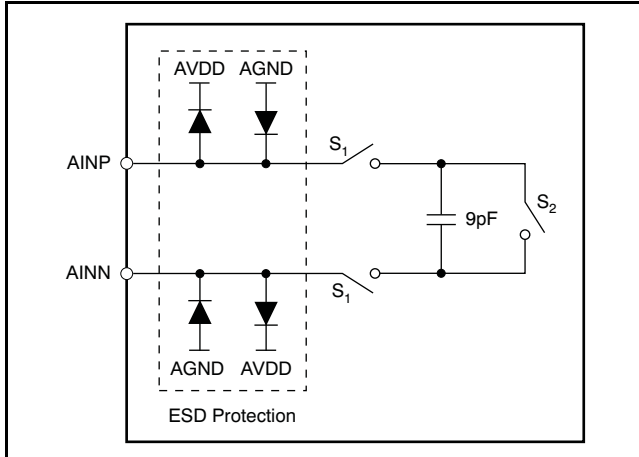
$$-0.1V < (A_{INN} \text{ or } A_{INP}) < AVDD + 0.1V$$

If either input is taken below  $-0.4V$  or above  $(AVDD + 0.4V)$ , ESD protection diodes on the inputs may turn on. If these conditions are possible, external Schottky clamp diodes or series resistors may be required to limit the input current to safe values (see the [Absolute Maximum Ratings](#) table).

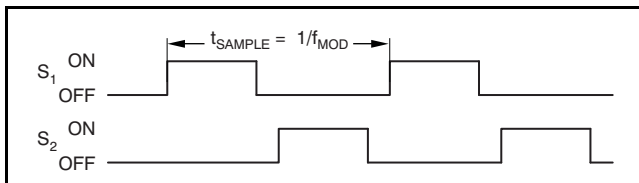
The ADS1274/78 is a very high-performance ADC. For optimum performance, it is critical that the appropriate circuitry be used to drive the ADS1274/78 inputs. See the [Application Information](#) section for several recommended circuits.



The ADS1274/78 uses switched-capacitor circuitry to measure the input voltage. Internal capacitors are charged by the inputs and then discharged. **Figure 67** shows a conceptual diagram of these circuits. Switch  $S_2$  represents the net effect of the modulator circuitry in discharging the sampling capacitor; the actual implementation is different. The timing for switches  $S_1$  and  $S_2$  is shown in **Figure 68**. The sampling time ( $t_{\text{SAMPLE}}$ ) is the inverse of modulator sampling frequency ( $f_{\text{MOD}}$ ) and is a function of the mode, the CLKDIV input, and CLK frequency, as shown in **Table 6**.



**Figure 67. Equivalent Analog Input Circuitry**

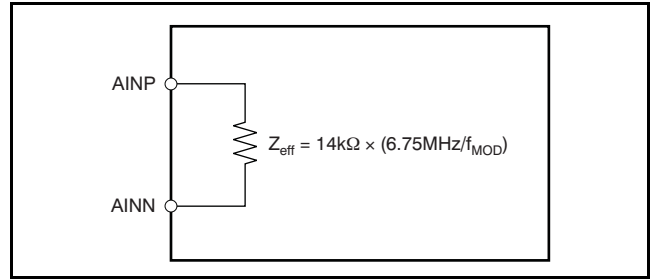


**Figure 68.  $S_1$  and  $S_2$  Switch Timing for **Figure 67****

**Table 6. Modulator Frequency ( $f_{\text{MOD}}$ ) Mode Selection**

| MODE SELECTION  | CLKDIV | $f_{\text{MOD}}$    |
|-----------------|--------|---------------------|
| High-Speed      | 1      | $f_{\text{CLK}}/4$  |
| High-Resolution | 1      | $f_{\text{CLK}}/4$  |
| Low-Power       | 1      | $f_{\text{CLK}}/8$  |
|                 | 0      | $f_{\text{CLK}}/4$  |
| Low-Speed       | 1      | $f_{\text{CLK}}/40$ |
|                 | 0      | $f_{\text{CLK}}/8$  |

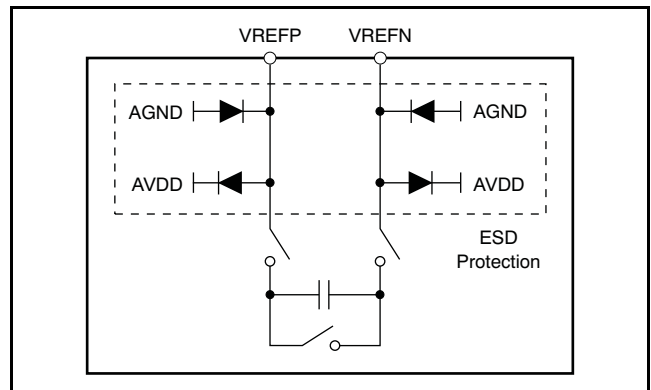
The average load presented by the switched capacitor input can be modeled with an effective differential impedance, as shown in **Figure 69**. Note that the effective impedance is a function of  $f_{\text{MOD}}$ .



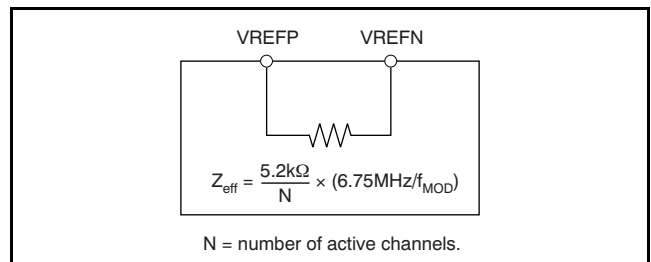
**Figure 69. Effective Input Impedances**

### VOLTAGE REFERENCE INPUTS (VREFP, VREFN)

The voltage reference for the ADS1274/78 ADC is the differential voltage between VREFP and VREFN:  $V_{\text{REF}} = (V_{\text{REFP}} - V_{\text{REFN}})$ . The voltage reference is common to all channels. The reference inputs use a structure similar to that of the analog inputs with the equivalent circuitry on the reference inputs shown in **Figure 70**. As with the analog inputs, the load presented by the switched capacitor can be modeled with an effective impedance, as shown in **Figure 71**. However, the reference input impedance depends on the number of active (enabled) channels in addition to  $f_{\text{MOD}}$ . As a result of the change of reference input impedance caused by enabling and disabling channels, the regulation and setting time of the external reference should be noted, so as not to affect the readings.



**Figure 70. Equivalent Reference Input Circuitry**



**Figure 71. Effective Reference Impedance**

ESD diodes protect the reference inputs. To keep these diodes from turning on, make sure the voltages on the reference pins do not go below AGND by more than 0.4V, and likewise do not exceed AVDD by 0.4V. If these conditions are possible, external Schottky clamp diodes or series resistors may be required to limit the input current to safe values (see the [Absolute Maximum Ratings](#) table).

A high-quality reference voltage with the appropriate drive strength is essential for achieving the best performance from the ADS1274. Noise and drift on the reference degrade overall system performance. See the [Application Information](#) section for example reference circuits.

### CLOCK INPUT (CLK)

The ADS1274/78 requires a clock input for operation. The individual converters of the ADS1274/78 operate from the same clock input. At the maximum data rate, the clock input can be either 27MHz or 13.5MHz for Low-Power mode, or 27MHz or 5.4MHz for Low-Speed mode, determined by the setting of the CLKDIV input. For High-Speed mode, the maximum CLK input frequency is 37MHz. For High-Resolution mode, the maximum CLK input frequency is 27MHz. In High-Speed mode, operating conditions are restricted depending on the clock input frequency. The limitations are summarized in [Table 7](#).

**Table 7. High-Speed Mode  $f_{CLK}$  Conditions**

| $f_{CLK}$ (MHz)            | $V_{REF}$ (V) | DVDD (V)     | INTERFACE         |
|----------------------------|---------------|--------------|-------------------|
| $0.1 \leq f_{CLK} \leq 27$ | 0.5 to 3.1    | 1.65 to 1.95 | Frame-Sync or SPI |
| $27 < f_{CLK} \leq 32.768$ | 0.5 to 2.6    | 1.65 to 1.95 | Frame-Sync        |
| $32.768 < f_{CLK} \leq 37$ | 0.5 to 2.1    | 2.0 to 2.2   | Frame-Sync        |

The selection of the external clock frequency ( $f_{CLK}$ ) does not affect the resolution of the ADS1274/78. Use of a slower  $f_{CLK}$  can reduce the power consumption of an external clock buffer. The output data rate scales with clock frequency, down to a minimum clock frequency of  $f_{CLK} = 100kHz$ . [Table 8](#) summarizes the ratio of the clock input frequency ( $f_{CLK}$ ) to data rate ( $f_{DATA}$ ), maximum data rate and corresponding maximum clock input for the four operating modes.

As with any high-speed data converter, a high-quality, low-jitter clock is essential for optimum performance. Crystal clock oscillators are the recommended clock source. Make sure to avoid excess ringing on the clock input; keeping the clock trace as short as possible, and using a 50Ω series resistor placed close to the source end, often helps.

**Table 8. Clock Input Options**

| MODE SELECTION  | MAX $f_{CLK}$ (MHz) | CLKDIV | $f_{CLK}/f_{DATA}$ | DATA RATE (SPS) |
|-----------------|---------------------|--------|--------------------|-----------------|
| High-Speed      | 37                  | 1      | 256                | 144,531         |
| High-Resolution | 27                  | 1      | 512                | 52,734          |
| Low-Power       | 27                  | 1      | 512                | 52,734          |
|                 | 13.5                | 0      | 256                |                 |
| Low-Speed       | 27                  | 1      | 2,560              | 10,547          |
|                 | 5.4                 | 0      | 512                |                 |

### MODE SELECTION (MODE)

The ADS1274/78 supports four modes of operation: High-Speed, High-Resolution, Low-Power, and Low-Speed. The modes offer optimization of speed, resolution, and power. Mode selection is determined by the status of the digital input MODE[1:0] pins, as shown in [Table 9](#). The ADS1274/78 continually monitors the status of the MODE pin during operation.

**Table 9. Mode Selection**

| MODE[1:0] | MODE SELECTION  | MAX $f_{DATA}$ <sup>(1)</sup> |
|-----------|-----------------|-------------------------------|
| 00        | High-Speed      | 144,531                       |
| 01        | High-Resolution | 52,734                        |
| 10        | Low-Power       | 52,734                        |
| 11        | Low-Speed       | 10,547                        |

(1)  $f_{CLK} = 27MHz$  max (37MHz max in High-Speed mode).

When using the SPI protocol,  $\overline{DRDY}$  is held high after a mode change occurs until settled (or valid) data are ready; see [Figure 72](#) and [Table 10](#).

In Frame-Sync protocol, the DOUT pins are held low after a mode change occurs until settled data are ready; see [Figure 72](#) and [Table 10](#). Data can be read from the device to detect when DOUT changes to logic 1, indicating that the data are valid.

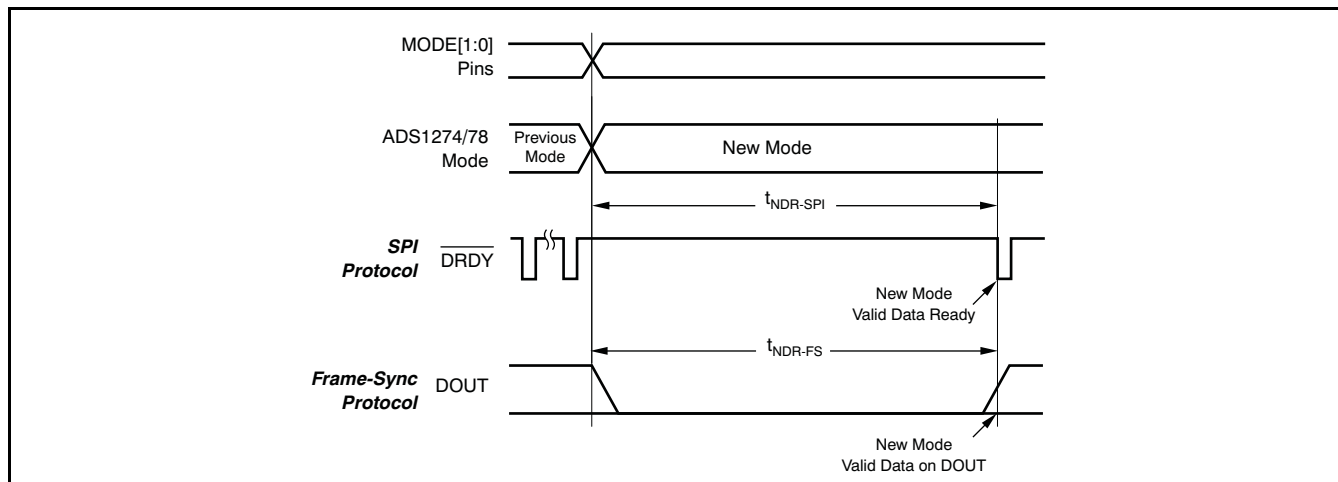


Figure 72. Mode Change Timing

Table 10. New Data After Mode Change

| SYMBOL        | DESCRIPTION   | MIN | TYP | MAX | UNITS                        |
|---------------|---|-----|-----|-----|------------------------------|
| $t_{NDR-SPI}$ | Time for new data to be ready (SPI)                       |     |     | 129 | Conversions ( $1/f_{DATA}$ ) |
| $t_{NDR-FS}$  | Time for new data to be ready (Frame-Sync) <sup>(1)</sup> | 127 |     | 128 | Conversions ( $1/f_{DATA}$ ) |

(1) If mode change is asynchronous to the FSYNC clock,  $t_{NDR-FS}$  varies from 127 to 128 conversions. If the mode change is made synchronous to FSYNC,  $t_{NDR-FS}$  is stable.

### SYNCHRONIZATION ( $\overline{SYNC}$ )

The ADS1274/78 can be synchronized by pulsing the  $\overline{SYNC}$  pin low and then returning the pin high. When the pin goes low, the conversion process stops, and the internal counters used by the digital filter are reset. When the  $\overline{SYNC}$  pin returns high, the conversion process restarts. Synchronization allows the conversion to be aligned with an external event, such as the changing of an external multiplexer on the analog inputs, or by a reference timing pulse.

Because the ADS1274/78 converters operate in parallel from the same master clock and use the same  $\overline{SYNC}$  input control, they are always in synchronization with each other. The aperture match among internal channels is typically less than 500ps. However, the synchronization of multiple devices is somewhat different. At device power-on, variations in internal reset thresholds from device to device may result in uncertainty in conversion timing.

The  $\overline{SYNC}$  pin can be used to synchronize multiple devices to within the same CLK cycle. Figure 73 illustrates the timing requirement of  $\overline{SYNC}$  and CLK in SPI format.

See Figure 74 for the Frame-Sync format timing requirement.

After synchronization, indication of valid data depends on whether SPI or Frame-Sync format was used.

In the SPI format,  $\overline{DRDY}$  goes high as soon as  $\overline{SYNC}$  is taken low; see Figure 73. After  $\overline{SYNC}$  is returned high,  $\overline{DRDY}$  stays high while the digital filter is settling. Once valid data are ready for retrieval,  $\overline{DRDY}$  goes low.

In the Frame-Sync format, DOUT goes low as soon as  $\overline{SYNC}$  is taken low; see Figure 74. After  $\overline{SYNC}$  is returned high, DOUT stays low while the digital filter is settling. Once valid data are ready for retrieval, DOUT begins to output valid data. For proper synchronization, FSYNC, SCLK, and CLK must be established before taking  $\overline{SYNC}$  high, and must then remain running. If the clock inputs (CLK, FSYNC or SCLK) are subsequently interrupted or reset, re-assert the  $\overline{SYNC}$  pin.

For consistent performance, re-assert  $\overline{SYNC}$  after device power-on when data first appear.

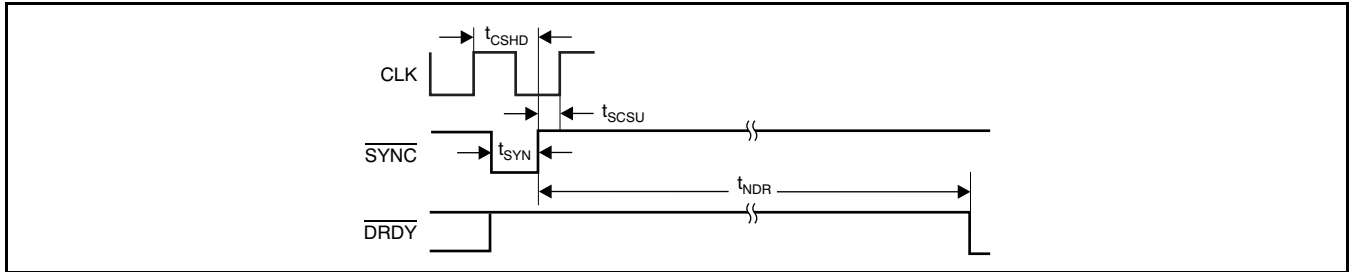


Figure 73. Synchronization Timing (SPI Protocol)

Table 11. SPI Protocol

| SYMBOL     | DESCRIPTION                                | MIN | TYP | MAX | UNITS                               |
|------------|--|-----|-----|-----|-------------------------------------|
| $t_{CSHD}$ | CLK to $\overline{\text{SYNC}}$ hold time  | 10  |     |     | ns                                  |
| $t_{SCSU}$ | $\overline{\text{SYNC}}$ to CLK setup time | 5   |     |     | ns                                  |
| $t_{SYN}$  | Synchronize pulse width                    | 1   |     |     | CLK periods                         |
| $t_{NDR}$  | Time for new data to be ready              |     |     | 129 | Conversions ( $1/f_{\text{DATA}}$ ) |

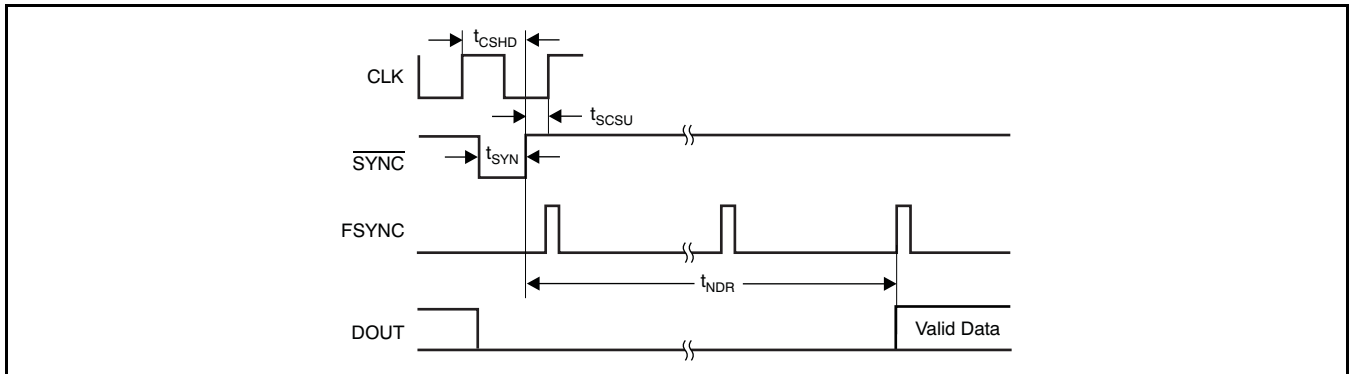


Figure 74. Synchronization Timing (Frame-Sync Protocol)

Table 12. Frame-Sync Protocol

| SYMBOL     | DESCRIPTION                                  | MIN | TYP | MAX | UNITS                               |
|------------|--|-----|-----|-----|-------------------------------------|
| $t_{CSHD}$ | CLK to $\overline{\text{SYNC}}$ hold time    | 10  |     |     | ns                                  |
| $t_{SCSU}$ | $\overline{\text{SYNC}}$ to CLK setup time   | 5   |     |     | ns                                  |
| $t_{SYN}$  | Synchronize pulse width                      | 1   |     |     | CLK periods                         |
| $t_{NDR}$  | Time for new data to be ready <sup>(1)</sup> | 127 |     | 128 | Conversions ( $1/f_{\text{DATA}}$ ) |

(1) If  $\overline{\text{SYNC}}$  is asynchronous to the FSYNC clock, then  $t_{NDR}$  varies from 127 to 128 conversions, starting from the rising edge of  $\overline{\text{SYNC}}$ . If  $\overline{\text{SYNC}}$  is made synchronous to the FSYNC clock, then  $t_{NDR}$  is stable.

## POWER-DOWN (P<sub>W</sub>DN)

The channels of the ADS1274/78 can be independently powered down by use of the P<sub>W</sub>DN inputs. To enter the power-down mode, hold the respective P<sub>W</sub>DN pin low for at least two CLK cycles. To exit power-down, return the corresponding P<sub>W</sub>DN pin high. Note that when all channels are powered down, the ADS1274/78 enters a microwatt (μW) power state where all internal biasing is disabled. In this state, the TEST[1:0] input pins must be driven; all other input pins can float. The ADS1274/78 outputs remain driven.

As shown in Figure 75 and Table 13, a maximum of 130 conversion cycles must elapse for SPI interface, and 129 conversion cycles must elapse for Frame-Sync, before reading data after exiting power-down. Data from channels already running are not affected. The user software can perform the required delay time in any of the following ways:

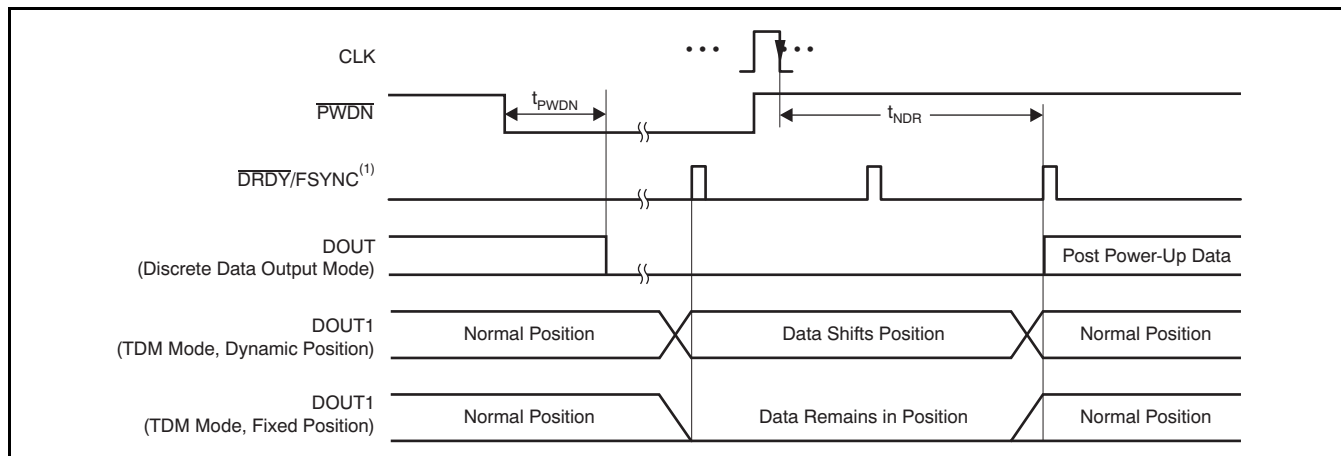
1. Count the number of data conversions after taking the P<sub>W</sub>DN pin high.
2. Delay  $129/f_{DATA}$  or  $130/f_{DATA}$  after taking the P<sub>W</sub>DN pins high, then read data.

3. Detect for non-zero data in the powered-up channel.

After powering up one or more channels, the channels are synchronized to each other. It is not necessary to use the SYNC pin to synchronize them.

When a channel is powered down in TDM data format, the data for that channel are either forced to zero (fixed-position TDM data mode) or replaced by shifting the data from the next channel into the vacated data position (dynamic-position TDM data mode).

In Discrete data format, the data are always forced to zero. When powering-up a channel in dynamic-position TDM data format mode, the channel data remain packed until the data are ready, at which time the data frame is expanded to include the just-powered channel data. See the *Data Format* section for details.



(1) In SPI protocol, the timing occurs on the falling edge of DRDY/FSYNC. Powering down all channels forces DRDY/FSYNC high.

Figure 75. Power-Down Timing

Table 13. Power-Down Timing

| SYMBOL            | DESCRIPTION  | MIN | TYP | MAX | UNITS                        |
|-------------------|--|-----|-----|-----|------------------------------|
| $t_{P\text{W}DN}$ | P <sub>W</sub> DN pulse width to enter Power-Down mode | 2   |     |     | CLK periods                  |
| $t_{NDR}$         | Time for new data ready (SPI)                          | 129 |     | 130 | Conversions ( $1/f_{DATA}$ ) |
| $t_{NDR}$         | Time for new data ready (Frame-Sync) <sup>(1)</sup>    | 128 |     | 129 | Conversions ( $1/f_{DATA}$ ) |

(1) FSYNC clock running prior to the rising edge of P<sub>W</sub>DN. If P<sub>W</sub>DN is asynchronous to the FSYNC clock,  $t_{NDR-FS}$  varies from 127 to 128 conversions. If P<sub>W</sub>DN is made synchronous to FSYNC, then  $t_{NDR-FS}$  is stable.

## FORMAT[2:0]

Data can be read from the ADS1274/78 with two interface protocols (SPI or Frame-Sync) and several options of data formats (TDM/Discrete and Fixed/Dynamic data positions). The FORMAT[2:0] inputs are used to select among the options. Table 14 lists the available options. See the *DOUT Modes* section for details of the DOUT Mode and Data Position.

**Table 14. Data Output Format**

| FORMAT[2:0] | INTERFACE PROTOCOL | DOUT MODE | DATA POSITION |
|-------------|--------------------|-----------|---------------|
| 000         | SPI                | TDM       | Dynamic       |
| 001         | SPI                | TDM       | Fixed         |
| 010         | SPI                | Discrete  | —             |
| 011         | Frame-Sync         | TDM       | Dynamic       |
| 100         | Frame-Sync         | TDM       | Fixed         |
| 101         | Frame-Sync         | Discrete  | —             |
| 110         | Modulator Mode     | —         | —             |

## SERIAL INTERFACE PROTOCOLS

Data are retrieved from the ADS1274/78 using the serial interface. Two protocols are available: SPI and Frame-Sync. The same pins are used for both interfaces: SCLK,  $\overline{\text{DRDY}}$ /FSYNC, DOUT[4:1] (DOUT[8:1] for ADS1278), and DIN. The FORMAT[2:0] pins select the desired interface protocol.

### SPI SERIAL INTERFACE

The SPI-compatible format is a read-only interface. Data ready for retrieval are indicated by the falling edge of  $\overline{\text{DRDY}}$  output and are shifted out on the falling edge of SCLK, MSB first. The interface can be daisy-chained using the DIN input when using multiple devices. See the *Daisy-Chaining* section for more information.

NOTE: The SPI format is limited to a CLK input frequency of 27MHz, maximum. For CLK input operation above 27MHz (High-Speed mode only), use Frame-Sync format.

### SCLK

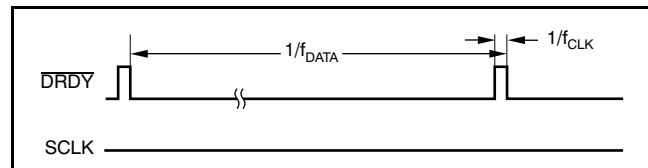
The serial clock (SCLK) features a Schmitt-triggered input and shifts out data on DOUT on the falling edge. It also shifts in data on the falling edge on DIN when this pin is being used for daisy-chaining. The device shifts data out on the falling edge and the user normally shifts this data in on the rising edge.

Even though the SCLK input has hysteresis, it is recommended to keep SCLK as clean as possible to prevent glitches from accidentally shifting the data.

SCLK may be run as fast as the CLK frequency. SCLK may be either in free-running or stop-clock operation between conversions. Note that one  $f_{\text{CLK}}$  is required after the falling edge of  $\overline{\text{DRDY}}$  until the first rising edge of SCLK. For best performance, limit  $f_{\text{SCLK}}/f_{\text{CLK}}$  to ratios of 1, 1/2, 1/4, 1/8, etc. When the device is configured for modulator output, SCLK becomes the modulator clock output (see the *Modulator Output* section).

### $\overline{\text{DRDY}}$ /FSYNC (SPI Format)

In the SPI format, this pin functions as the  $\overline{\text{DRDY}}$  output. It goes low when data are ready for retrieval and then returns high on the falling edge of the first subsequent SCLK. If data are not retrieved (that is, SCLK is held low),  $\overline{\text{DRDY}}$  pulses high just before the next conversion data are ready, as shown in Figure 76. The new data are loaded within one CLK cycle before  $\overline{\text{DRDY}}$  goes low. All data must be shifted out before this time to avoid being overwritten.



**Figure 76.  $\overline{\text{DRDY}}$  Timing with No Readback**

### DOUT

The conversion data are output on DOUT[4:1]/[8:1]. The MSB data are valid on DOUT[4:1]/[8:1] after  $\overline{\text{DRDY}}$  goes low. Subsequent bits are shifted out with each falling edge of SCLK. If daisy-chaining, the data shifted in using DIN appear on DOUT after all channel data have been shifted out. When the device is configured for modulator output, DOUT[4:1]/[8:1] becomes the modulator data output for each channel (see the *Modulator Output* section).

### DIN

This input is used when multiple ADS1274/78s are to be daisy-chained together. The DOUT1 pin of the first device connects to the DIN pin of the next, etc. It can be used with either the SPI or Frame-Sync formats. Data are shifted in on the falling edge of SCLK. When using only one ADS1274/78, tie DIN low. See the *Daisy-Chaining* section for more information.

## FRAME-SYNC SERIAL INTERFACE

Frame-Sync format is similar to the interface often used on audio ADCs. It operates in slave fashion—the user must supply framing signal FSYNC (similar to the *left/right clock* on stereo audio ADCs) and the serial clock SCLK (similar to the *bit clock* on audio ADCs). The data are output MSB first or *left-justified* on the rising edge of FSYNC. When using Frame-Sync format, the FSYNC and SCLK inputs must be continuously running with the relationships shown in the [Frame-Sync Timing Requirements](#).

### SCLK

The serial clock (SCLK) features a Schmitt-triggered input and shifts out data on DOUT on the falling edge. It also shifts in data on the falling edge on DIN when this pin is being used for daisy-chaining. Even though SCLK has hysteresis, it is recommended to keep SCLK as clean as possible to prevent glitches from accidentally shifting the data. When using Frame-Sync format, SCLK must run continuously. If it is shut down, the data readback will be corrupted. The number of SCLKs within a frame period (FSYNC clock) can be any power-of-2 ratio of CLK cycles (1, 1/2, 1/4, etc), as long as the number of cycles is sufficient to shift the data output from all channels within one frame. When the device is configured for modulator output, SCLK becomes the modulator clock output (see the [Modulator Output](#) section).

### DRDY/FSYNC (Frame-Sync Format)

In Frame-Sync format, this pin is used as the FSYNC input. The frame-sync input (FSYNC) sets the frame period, which must be the same as the data rate. The required number of  $f_{CLK}$  cycles to each FSYNC period depends on the mode selection and the CLKDIV input. [Table 8](#) indicates the number of CLK cycles to each frame ( $f_{CLK}/f_{DATA}$ ). If the FSYNC period is not the proper value, data readback will be corrupted.

### DOUT

The conversion data are shifted out on DOUT[4:1]/[8:1]. The MSB data become valid on DOUT[4:1]/[8:1] after FSYNC goes high. The subsequent bits are shifted out with each falling edge of SCLK. If daisy-chaining, the data shifted in using DIN appear on DOUT[4:1]/[8:1] after all channel data have been shifted out. When the device is configured for modulator output, DOUT becomes the modulator data output (see the [Modulator Output](#) section).

### DIN

This input is used when multiple ADS1274/78s are to be daisy-chained together. It can be used with either SPI or Frame-Sync formats. Data are shifted in on the falling edge of SCLK. When using only one ADS1274/78, tie DIN low. See the [Daisy-Chaining](#) section for more information.

### DOUT MODES

For both SPI and Frame-Sync interface protocols, the data are shifted out either through individual channel DOUT pins, in a parallel data format (Discrete mode), or the data for all channels are shifted out, in a serial format, through a common pin, DOUT1 (TDM mode).

#### TDM Mode

In TDM (time-division multiplexed) data output mode, the data for all channels are shifted out, in sequence, on a single pin (DOUT1). As shown in [Figure 77](#), the data from channel 1 are shifted out first, followed by channel 2 data, etc. After the data from the last channel are shifted out, the data from the DIN input follow. The DIN is used to daisy-chain the data output from an additional ADS1274/78 or other compatible device. Note that when all channels of the ADS1274/78 are disabled, the interface is disabled, rendering the DIN input disabled as well. When one or more channels of the device are powered down, the data format of the TDM mode can be fixed or dynamic.

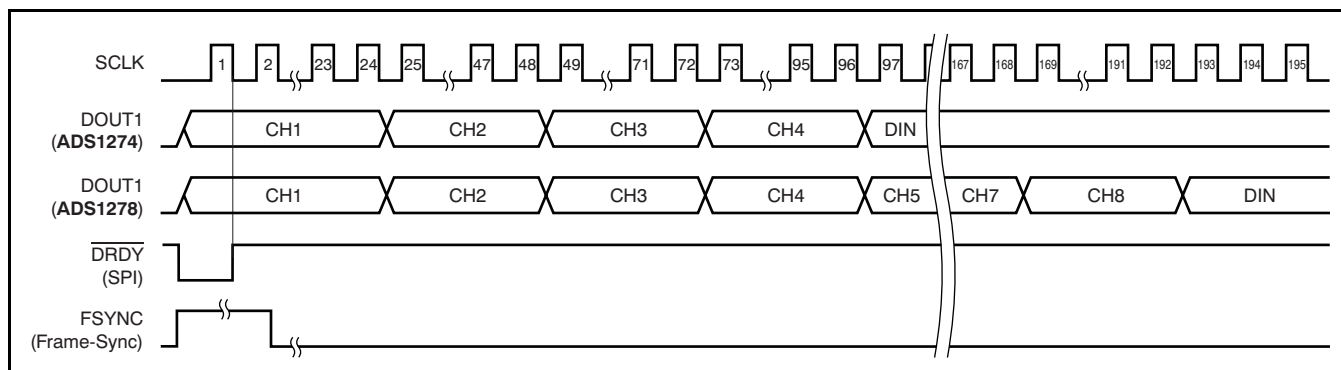


Figure 77. TDM Mode (All Channels Enabled)

### TDM Mode, Fixed-Position Data

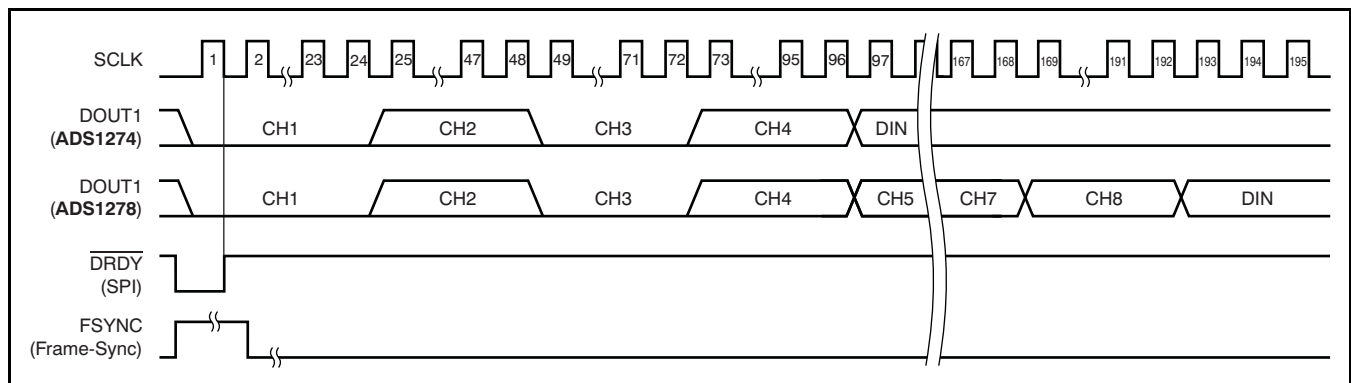
In this TDM data output mode, the data position of the channels remain fixed, regardless of whether the channels are powered down. If a channel is powered down, the data are forced to zero but occupy the same position within the data stream. [Figure 78](#) shows the data stream with channel 1 and channel 3 powered down.

### TDM Mode, Dynamic Position Data

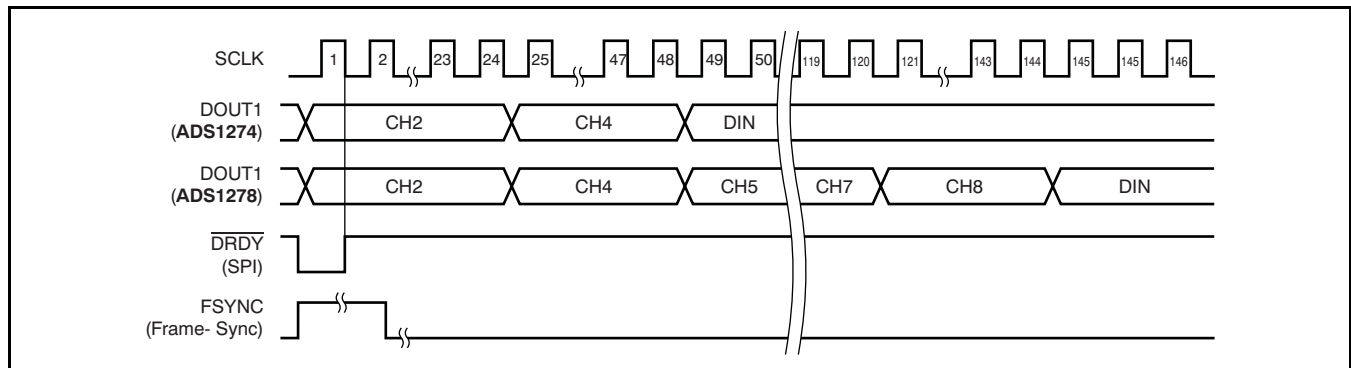
In this TDM data output mode, when a channel is powered down, the data from higher channels shift one position in the data stream to fill the vacated data slot. [Figure 79](#) shows the data stream with channel 1 and channel 3 powered down.

### Discrete Data Output Mode

In Discrete data output mode, the channel data are shifted out in parallel using individual channel data output pins DOUT[4:1]/[8:1]. After the 24th SCLK, the channel data are forced to zero. The data are also forced to zero for powered down channels. [Figure 80](#) shows the discrete data output format.



**Figure 78. TDM Mode, Fixed-Position Data (Channels 1 and 3 Shown Powered Down)**



**Figure 79. TDM Mode, Dynamic Position Data (Channels 1 and 3 Shown Powered Down)**



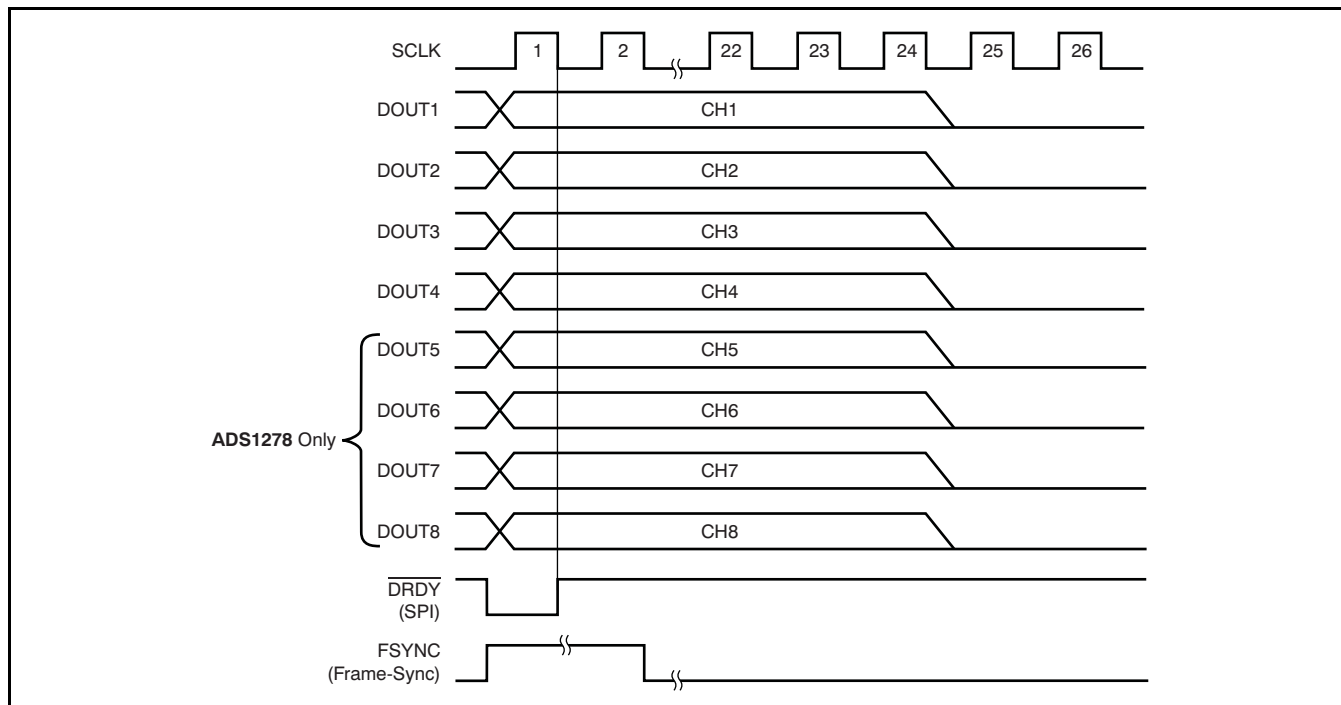


Figure 80. Discrete Data Output Mode

### DAISY-CHAINING

Multiple ADS1274/78s can be daisy-chained together to output data on a single pin. The DOUT1 data output pin of one device is connected to the DIN of the next device. As shown in Figure 81, the DOUT1 pin of device 1 provides the output data to a controller, and the DIN of device 2 is grounded. Figure 82 shows the data format when reading back data.

The maximum number of channels that may be daisy-chained in this way is limited by the frequency of  $f_{SCLK}$ , the mode selection, and the CLKDIV input. The frequency of  $f_{SCLK}$  must be high enough to completely shift the data out from all channels within one  $f_{DATA}$  period. Table 15 lists the maximum number of daisy-chained channels when  $f_{SCLK} = f_{CLK}$ .

To increase the number of data channels possible in a chain, a segmented DOUT scheme may be used, producing two data streams. Figure 83 illustrates four ADS1274/78s, with pairs of ADS1274/78s daisy-chained together. The channel data of each daisy-chained pair are shifted out in parallel and received by the processor through independent data channels.

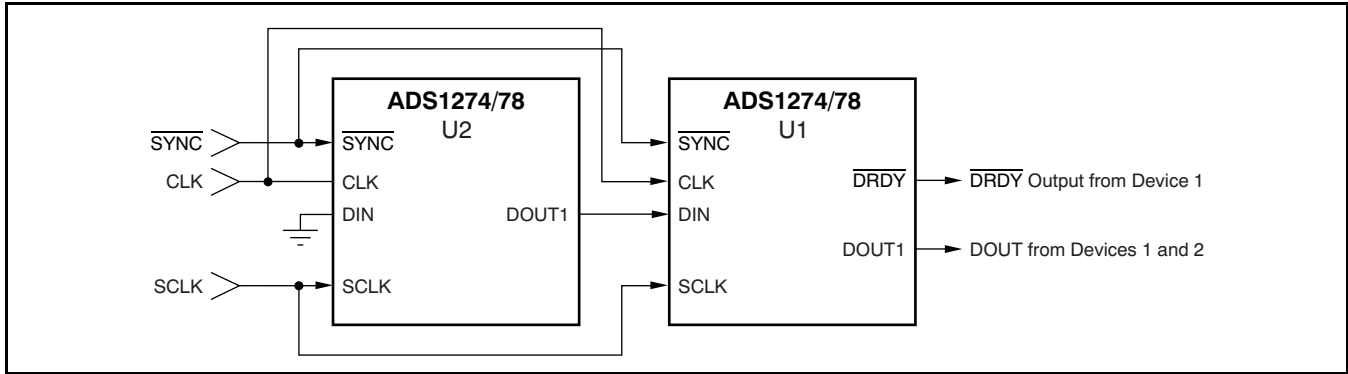
Table 15. Maximum Channels in a Daisy-Chain  
( $f_{SCLK} = f_{CLK}$ )

| MODE SELECTION  | CLKDIV | MAXIMUM NUMBER OF CHANNELS |
|-----------------|--------|----------------------------|
| High-Speed      | 1      | 10                         |
| High-Resolution | 1      | 21                         |
| Low-Power       | 1      | 21                         |
|                 | 0      | 10                         |
| Low-Speed       | 1      | 106                        |
|                 | 0      | 21                         |

Whether the interface protocol is SPI or Frame-Sync, it is recommended to synchronize all devices by tying the  $\overline{SYNC}$  inputs together. When synchronized in SPI protocol, it is only necessary to monitor the  $\overline{DRDY}$  output of one ADS1274/78.

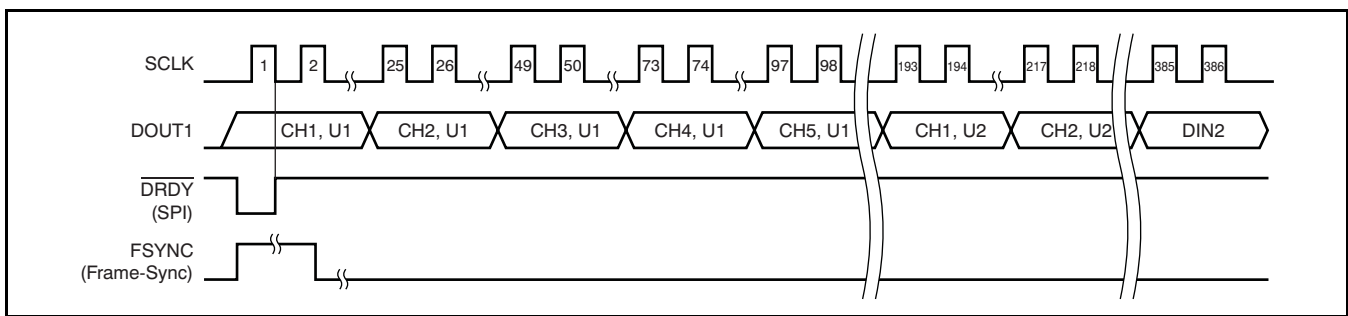
In Frame-Sync interface protocol, the data from all devices are ready after the rising edge of FSYNC.

Since DOUT1 and DIN are both shifted on the falling edge of SCLK, the propagation delay on DOUT1 creates a setup time on DIN. Minimize the skew in SCLK to avoid timing violations.

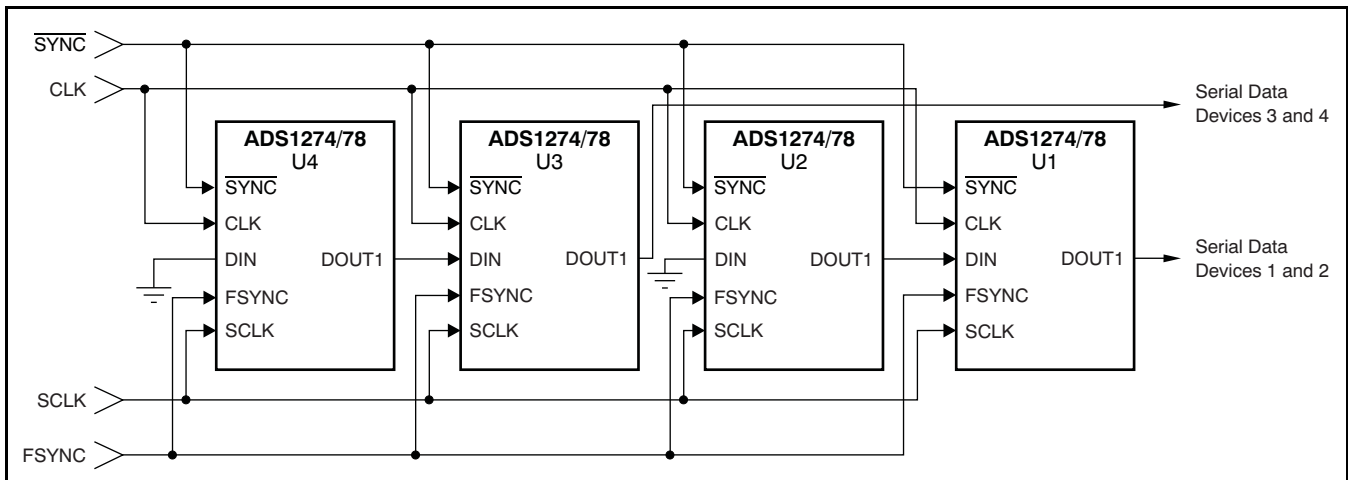


NOTE: The number of chained devices is limited by the SCLK rate and device mode.

**Figure 81. Daisy-Chaining of Two Devices, SPI Protocol (FORMAT[2:0] = 000 or 001)**



**Figure 82. Daisy-Chain Data Format of Figure 81 (ADS1278 shown)**



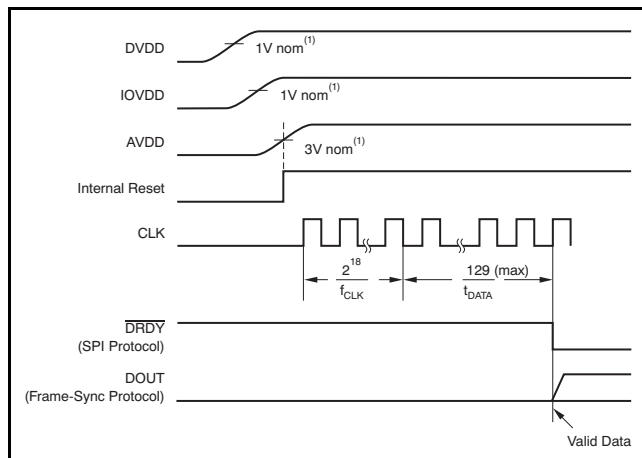
NOTE: The number of chained devices is limited by the SCLK rate and device mode.

**Figure 83. Segmented DOUT Daisy-Chain, Frame-Sync Protocol (FORMAT[2:0] = 011 or 100)**

## POWER SUPPLIES

The ADS1274/78 has three power supplies: AVDD, DVDD, and IOVDD. AVDD is the analog supply that powers the modulator, DVDD is the digital supply that powers the digital core, and IOVDD is the digital I/O power supply. The IOVDD and DVDD power supplies can be tied together if desired (+1.8V). To achieve rated performance, it is critical that the power supplies are bypassed with 0.1µF and 10µF capacitors placed as close as possible to the supply pins. A single 10µF ceramic capacitor may be substituted in place of the two capacitors.

Figure 84 shows the start-up sequence of the ADS1274/78. At power-on, bring up the DVDD supply first, followed by IOVDD and then AVDD. Check the power-supply sequence for proper order, including the ramp rate of each supply. DVDD and IOVDD may be sequenced at the same time (for example, if the supplies are tied together). Each supply has an internal reset circuit whose outputs are summed together to generate a global power-on reset. After the supplies have exceeded the reset thresholds,  $2^{18}$   $f_{CLK}$  cycles are counted before the converter initiates the conversion process. Following the CLK cycles, the data for 129 conversions are suppressed by the ADS1274/78 to allow output of fully-settled data. In SPI protocol,  $\overline{DRDY}$  is held high during this interval. In frame-sync protocol, DOUT is forced to zero. The power supplies should be applied before any analog or digital pin is driven. For consistent performance, assert SYNC after device power-on when data first appear.



(1) The power-supply reset thresholds are approximate.

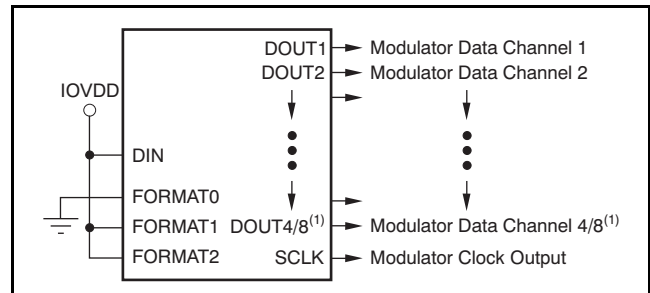
**Figure 84. Start-Up Sequence**

## MODULATOR OUTPUT

The ADS1274/78 incorporates a 6th-order, single-bit, chopper-stabilized modulator followed by a multi-stage digital filter that yields the conversion results. The data stream output of the modulator is available directly, bypassing the internal digital filter. The digital filter is disabled, reducing the DVDD current, as shown in Table 16. In this mode, an external digital filter implemented in an ASIC, FPGA, or similar device is required. To invoke the modulator output, tie  $\text{FORMAT}[2:0]$ , as shown in Figure 85.  $\text{DOUT}[4:1][8:1]$  then becomes the modulator data stream outputs for each channel and SCLK becomes the modulator clock output. The  $\overline{DRDY}/\text{FSYNC}$  pin becomes an unused output and can be ignored. The normal operation of the Frame-Sync and SPI interfaces is disabled, and the functionality of SCLK changes from an input to an output, as shown in Figure 85.

**Table 16. Modulator Output Clock Frequencies**

| MODE [1:0] | CLKDIV | MODULATOR CLOCK OUTPUT (SCLK) | ADS1274 DVDD (mA) | ADS1278 DVDD (mA) |
|------------|--------|-------------------------------|-------------------|-------------------|
| 00         | 1      | $f_{CLK}/4$                   | 4.5               | 8                 |
| 01         | 1      | $f_{CLK}/4$                   | 4.0               | 7                 |
| 10         | 1      | $f_{CLK}/8$                   | 2.5               | 4                 |
|            | 0      | $f_{CLK}/4$                   | 2.5               | 4                 |
| 11         | 1      | $f_{CLK}/40$                  | 1.0               | 1                 |
|            | 0      | $f_{CLK}/8$                   | 0.5               | 1                 |



(1) The ADS1274 has four channels; the ADS1278 has eight channels.

**Figure 85. Modulator Output**

In modulator output mode, the frequency of the modulator clock output (SCLK) depends on the mode selection of the ADS1274/78. Table 16 lists the modulator clock output frequency and DVDD current versus device mode.

Figure 86 shows the timing relationship of the modulator clock and data outputs.

The data output is a modulated 1s density data stream. When  $V_{IN} = +V_{REF}$ , the 1s density is approximately 80% and when  $V_{IN} = -V_{REF}$ , the 1s density is approximately 20%.

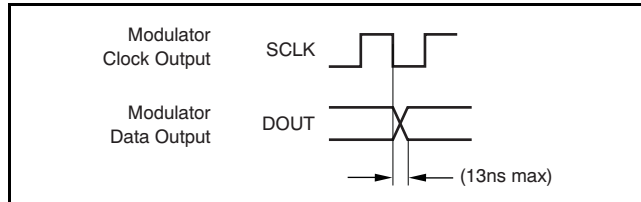


Figure 86. Modulator Output Timing

### PIN TEST USING TEST[1:0] INPUTS

The test mode feature of the ADS1274 and ADS1278 allows continuity testing of the digital I/O pins. In this mode, the normal functions of the digital pins are disabled and routed to each other as pairs through internal logic, as shown in Table 17. The pins in the left column drive the output pins in the right column.

**Note:** some of the digital input pins become outputs; these outputs must be accommodated in the design. The analog input, power supply, and ground pins all remain connected as normal. The test mode is engaged by setting the pins TEST [1:0] = 11. For normal converter operation, set TEST[1:0] = 00. Do not use '01' or '10'.

Table 17. Test Mode Pin Map (TEST[1:0] = 11)

| TEST MODE PIN MAP  |                         |
|--------------------|-------------------------|
| INPUT PINS         | OUTPUT PINS             |
| $\overline{PWDN1}$ | DOUT1                   |
| $\overline{PWDN2}$ | DOUT2                   |
| $\overline{PWDN3}$ | DOUT3                   |
| $\overline{PWDN4}$ | DOUT4                   |
| $\overline{PWDN5}$ | DOUT5                   |
| $\overline{PWDN6}$ | DOUT6                   |
| $\overline{PWDN7}$ | DOUT7                   |
| $\overline{PWDN8}$ | DOUT8                   |
| MODE0              | DIN                     |
| MODE1              | $\overline{SYNC}$       |
| FORMAT0            | CLKDIV                  |
| FORMAT1            | $\overline{FSYNC/DRDY}$ |
| FORMAT2            | SCLK                    |

### VCOM OUTPUT

The VCOM pin provides a voltage output equal to  $AVDD/2$ . The intended use of this output is to set the output common-mode level of the analog input drivers. The drive capability of the output is limited; therefore, the output should only be used to drive high-impedance nodes ( $> 1M\Omega$ ). In some cases, an external buffer may be necessary. A  $0.1\mu F$  bypass capacitor is recommended to reduce noise pickup.

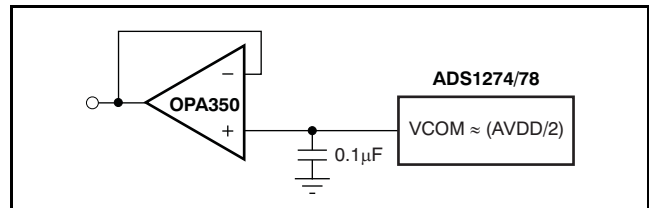


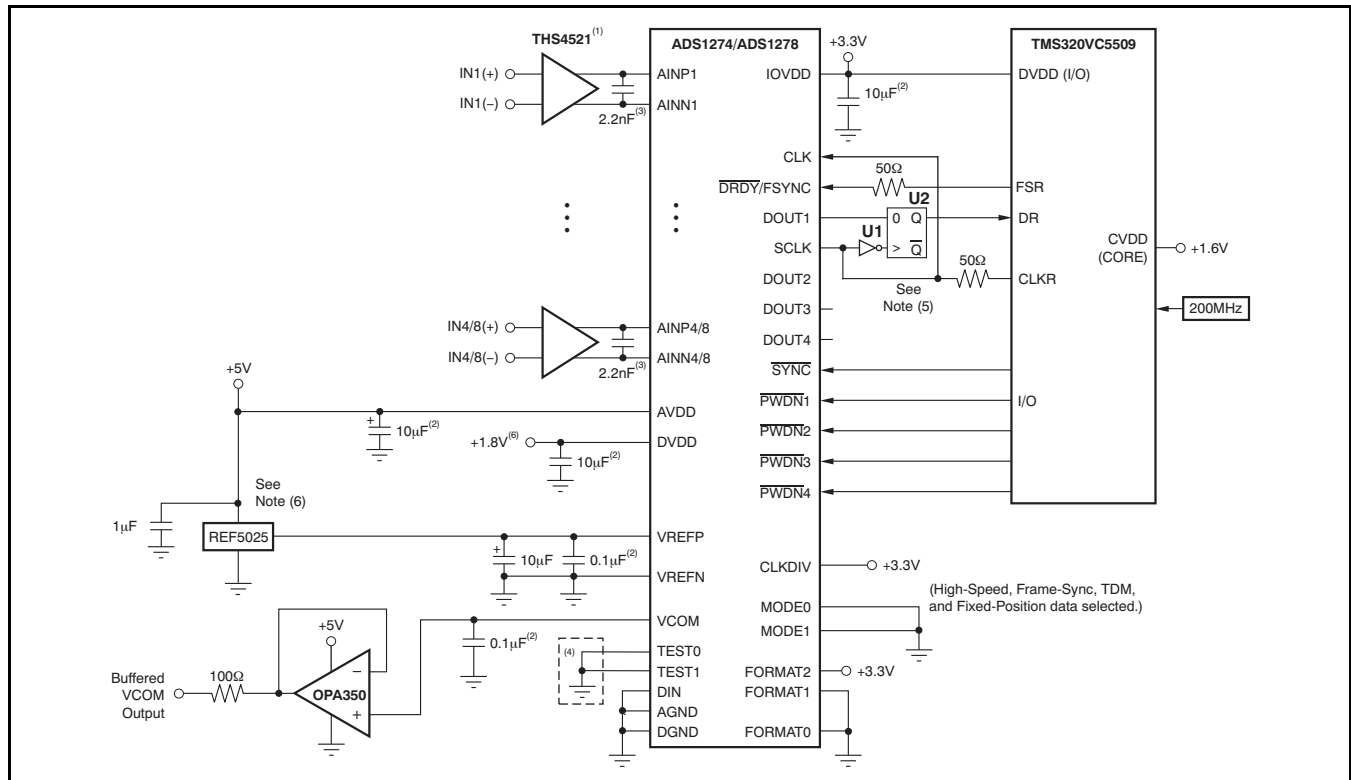
Figure 87. VCOM Output

## APPLICATION INFORMATION

To obtain the specified performance from the ADS1274/78, the following layout and component guidelines should be considered.

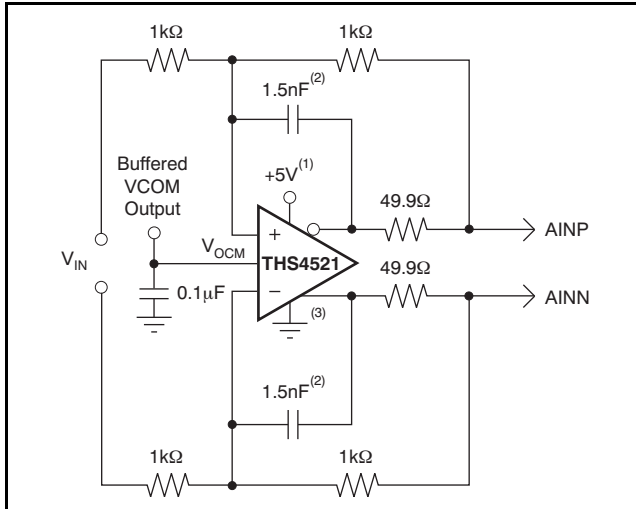
1. **Power Supplies:** The device requires three power supplies for operation: DVDD, IOVDD, and AVDD. The allowed range for DVDD is 1.65V to 1.95V; (for  $32.768\text{MHz} < f_{\text{CLK}} \leq 37\text{MHz}$ : 2.0V to 2.2V) the range of IOVDD is 1.65V to 3.6V; AVDD is restricted to 4.75V to 5.25V. For all supplies, use a 10 $\mu\text{F}$  tantalum capacitor, bypassed with a 0.1 $\mu\text{F}$  ceramic capacitor, placed close to the device pins. Alternatively, a single 10 $\mu\text{F}$  ceramic capacitor can be used. The supplies should be relatively free of noise and should not be shared with devices that produce voltage spikes (such as relays, LED display drivers, etc.). If a switching power-supply source is used, the voltage ripple should be low (less than 2mV) and the switching frequency outside the passband of the converter.
2. **Ground Plane:** A single ground plane connecting both AGND and DGND pins can be used. If separate digital and analog grounds are used, connect the grounds together at the converter.
3. **Digital Inputs:** It is recommended to source-terminate the digital inputs to the device with 50 $\Omega$  series resistors. The resistors should be placed close to the driving end of digital source (oscillator, logic gates, DSP, etc.) This placement helps to reduce ringing on the digital lines (ringing may lead to degraded ADC performance).
4. **Analog/Digital Circuits:** Place analog circuitry (input buffer, reference) and associated tracks together, keeping them away from digital circuitry (DSP, microcontroller, logic). Avoid crossing digital tracks across analog tracks to reduce noise coupling and crosstalk.
5. **Reference Inputs:** It is recommended to use a minimum 10 $\mu\text{F}$  tantalum with a 0.1 $\mu\text{F}$  ceramic capacitor directly across the reference inputs, VREFP and VREFN. The reference input should be driven by a low-impedance source. For best performance, the reference should have less than 3 $\mu\text{V}_{\text{RMS}}$  in-band noise. For references with noise higher than this level, external reference filtering may be necessary.
6. **Analog Inputs:** The analog input pins must be driven differentially to achieve specified performance. A true differential driver or transformer (ac applications) can be used for this purpose. Route the analog inputs tracks (AINP, AINN) as a pair from the buffer to the converter using short, direct tracks and away from digital tracks. A 1nF to 10nF capacitor should be used directly across the analog input pins, AINP and AINN. A low-k dielectric (such as COG or film type) should be used to maintain low THD. Capacitors from each analog input to ground can be used. They should be no larger than 1/10 the size of the difference capacitor (typically 100pF) to preserve the ac common-mode performance.
7. **Component Placement:** Place the power supply, analog input, and reference input bypass capacitors as close as possible to the device pins. This layout is particularly important for small-value ceramic capacitors. Larger (bulk) decoupling capacitors can be located farther from the device than the smaller ceramic capacitors.

Figure 88 to Figure 90 illustrate basic connections and interfaces that can be used with the ADS1274.



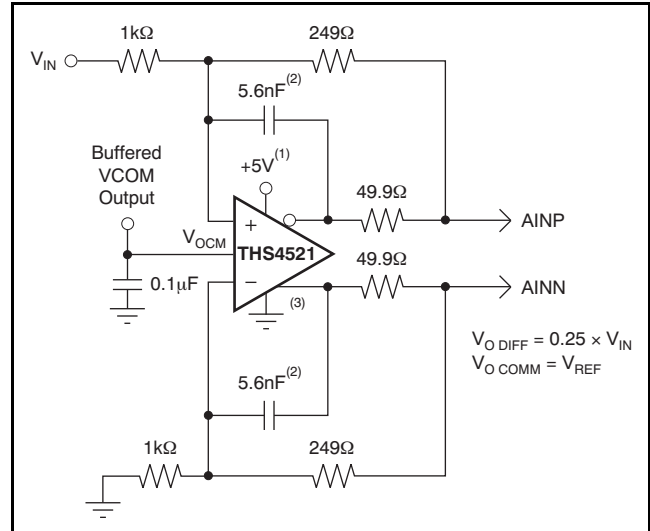
- (1) External Schottky clamp diodes or series resistors may be needed to prevent overvoltage on the inputs. Place the THS4521 drivers close to the ADS1278 inputs.
- (2) Indicates ceramic capacitors.
- (3) Indicates COG ceramic capacitors.
- (4) Optional. For pin test mode.
- (5) U1: SN74LVC1G04; U2: SN74LVC2G74. These components re-clock the ADS1274/78 data output to interface to the TMS320VC5509.
- (6) If CLK > 32.768MHz, use the REF5020 and DVDD = 2.1V.

**Figure 88. ADS1274 Basic Connection Drawing**



- (1) Bypass with 10μF and 0.1μF capacitors.
- (2) 2.7nF for Low-Power mode; 15nF for Low-Speed mode.
- (3) Alternate driver OPA1632 (using ±12V supplies).

**Figure 89. Basic Differential Input Signal Interface**



- (1) Bypass with 10μF and 0.1μF capacitors.
- (2) 10nF for Low-Power mode; 56nF for Low-Speed mode.
- (3) Alternate driver OPA1632 (using ±12V supplies).

**Figure 90. Basic Single-Ended Input Signal Interface**

$$V_{O\ DIFF} = 0.25 \times V_{IN}$$

$$V_{O\ COMM} = V_{REF}$$

### PowerPAD THERMALLY-ENHANCED PACKAGING

The PowerPAD concept is implemented in standard epoxy resin package material. The integrated circuit is attached to the leadframe die pad using thermally conductive epoxy. The package is molded so that the leadframe die pad is exposed at a surface of the package. This design provides an extremely low thermal resistance to the path between the IC junction and the exterior case. The external surface of the leadframe die pad is located on the printed circuit board (PCB) side of the package, allowing the

die pad to be attached to the PCB using standard flow soldering techniques. This configuration allows efficient attachment to the PCB and permits the board structure to be used as a heatsink for the package. Using a thermal pad identical in size to the die pad and vias connected to the PCB ground plane, the board designer can now implement power packaging without additional thermal hardware (for example, external heatsinks) or the need for specialized assembly instructions.

Figure 91 illustrates a cross-section view of a PowerPAD package.

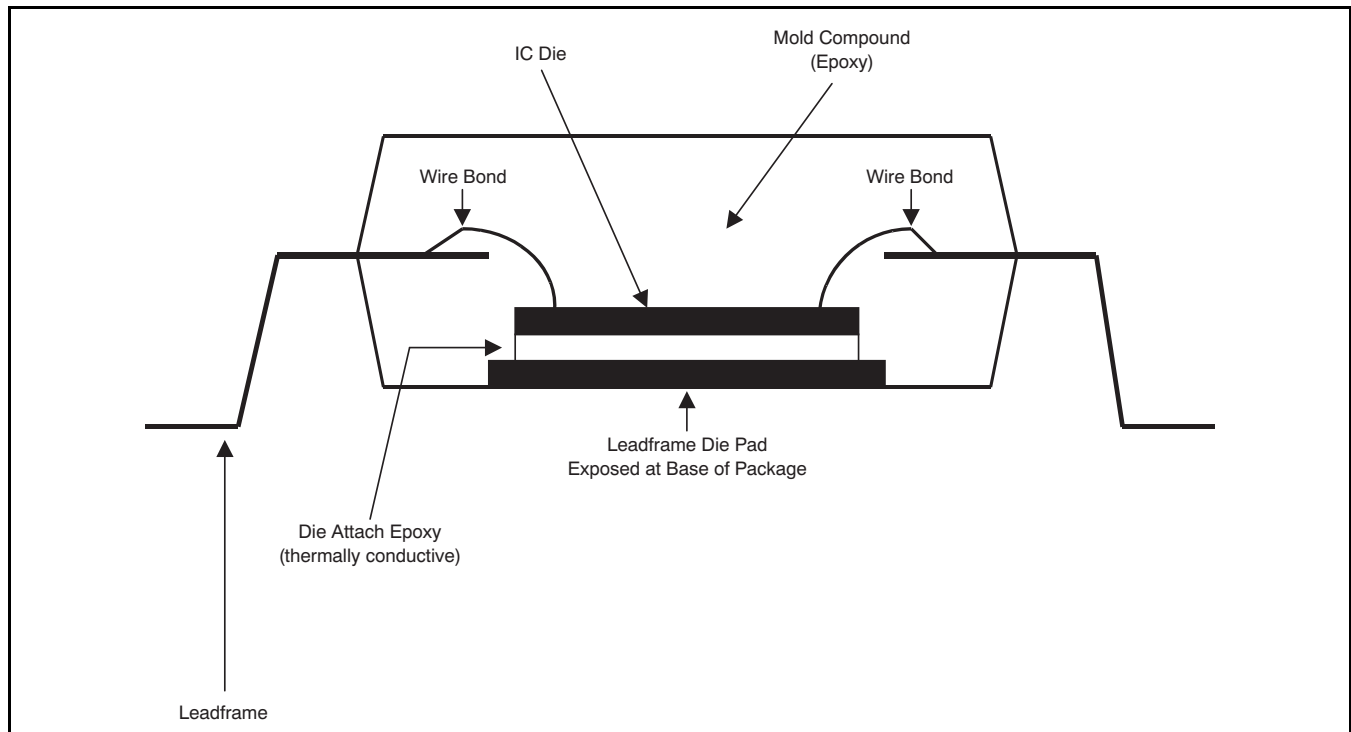


Figure 91. Cross-Section View of a PowerPAD Thermally-Enhanced Package



### PowerPAD PCB Layout Considerations

Figure 92 shows the recommended layer structure for thermal management when using a PowerPAD package on a 4-layer PCB design. Note that the thermal pad is placed on both the top and bottom sides of the board. The ground plane is used as the heatsink, while the power plane is thermally isolated from the thermal vias.

Figure 93 shows the required thermal pad etch pattern for the HTQFP-64 package used for the ADS1274. Nine 13mil (0.33mm) thermal vias plated with 1 ounce of copper are placed within the thermal pad area for the purpose of connecting the pad to the ground plane layer. The ground plane is used as a heatsink in this application. It is very important that the thermal via diameter be no larger than 13mils in order to avoid solder wicking during the reflow process. Solder wicking results in thermal voids that reduce heat dissipation efficiency and hampers heat flow away from the IC die.

The via connections to the thermal pad and internal ground plane should be plated completely around the hole, as opposed to the typical web or spoke thermal relief connection. Plating entirely around the thermal via provides the most efficient thermal connection to the ground plane.

### Additional PowerPAD Package Information

Texas Instruments publishes the PowerPAD Thermally Enhanced Package Application Report (TI literature number [SLMA002](#)), available for download at [www.ti.com](http://www.ti.com), that provides a more detailed discussion of PowerPAD design and layout considerations. Before attempting a board layout with the ADS1274, it is recommended that the hardware engineer and/or layout designer be familiar with the information contained in this document.

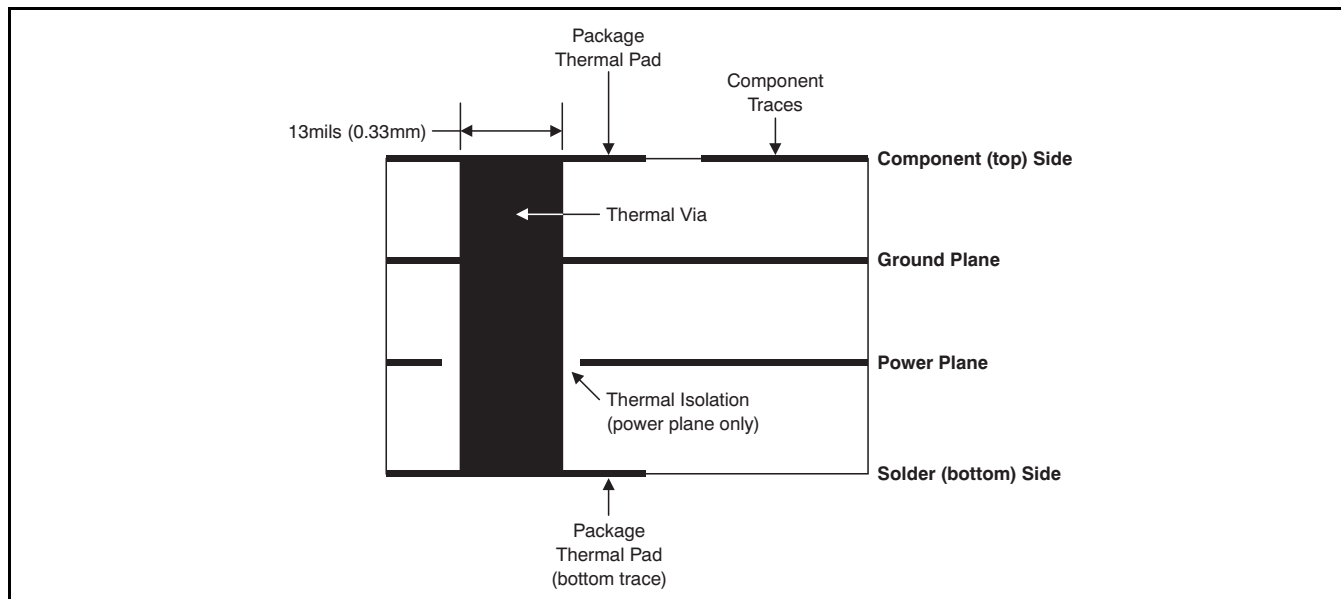


Figure 92. Recommended PCB Structure for a 4-Layer Board

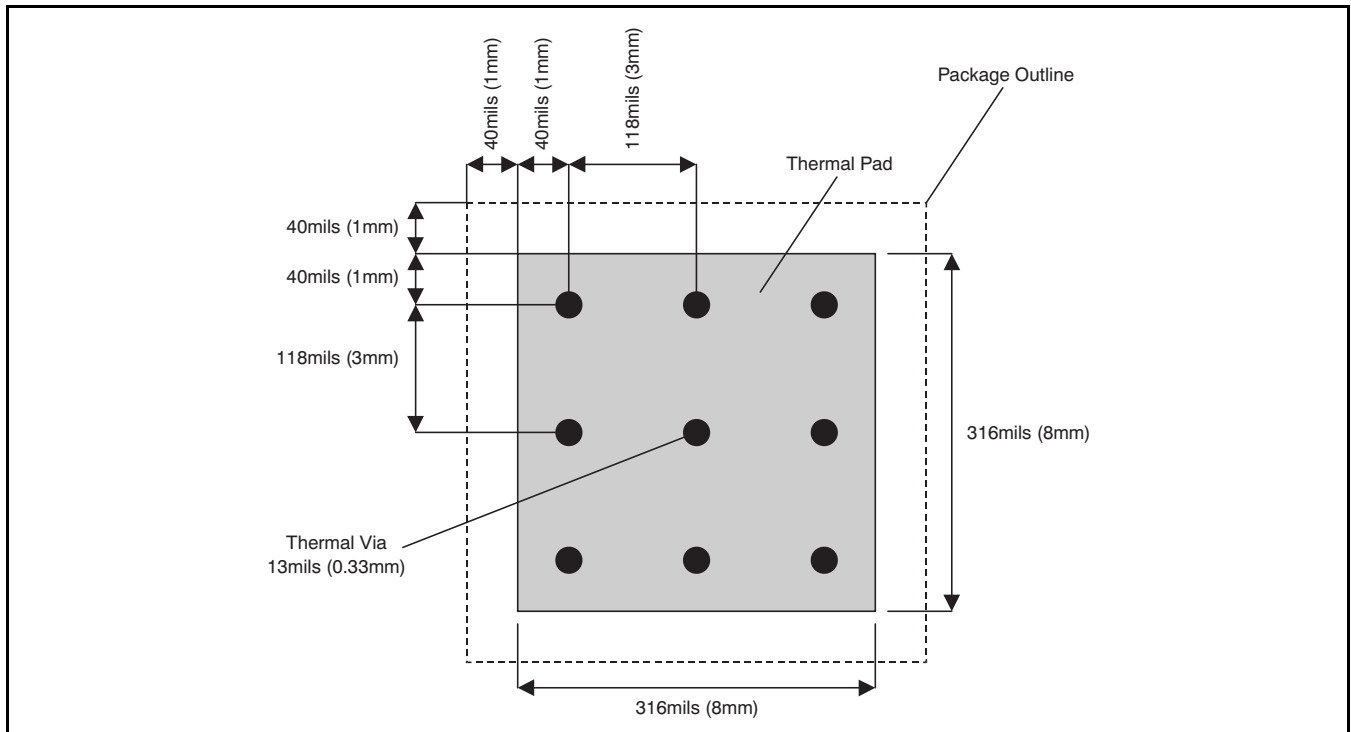


Figure 93. Thermal Pad Etch and Via Pattern for the HTQFP-64 Package

## REVISION HISTORY

NOTE: Page numbers for previous revisions may differ from page numbers in the current version.

---

### Changes from Revision E (September 2010) to Revision F Page

- Deleted selective disclosure statement from document ..... 1
- 

### Changes from Revision D (July 2009) to Revision E Page

- Added supplemental timing requirements ( $t_{DOPD}$ ) to *SPI Format Timing Specification* table ..... 8
  - Added supplemental timing requirements ( $t_{DOPD}$  and  $t_{MSBPD}$ ) to *Frame-Sync Format Timing Specification* table ..... 9
-

**PACKAGING INFORMATION**

| Orderable Device | Status<br>(1) | Package Type | Package Drawing | Pins | Package Qty | Eco Plan<br>(2)         | Lead/Ball Finish<br>(6) | MSL Peak Temp<br>(3) | Op Temp (°C) | Device Marking<br>(4/5) | Samples                 |
|------------------|---------------|--------------|-----------------|------|-------------|-------------------------|-------------------------|----------------------|--------------|-------------------------|-------------------------|
| ADS1274IPAPR     | ACTIVE        | HTQFP        | PAP             | 64   | 1000        | Green (RoHS & no Sb/Br) | NIPDAU                  | Level-3-260C-168 HR  | -40 to 125   | ADS1274                 | <a href="#">Samples</a> |
| ADS1274IPAPT     | ACTIVE        | HTQFP        | PAP             | 64   | 250         | Green (RoHS & no Sb/Br) | NIPDAU                  | Level-3-260C-168 HR  | -40 to 125   | ADS1274                 | <a href="#">Samples</a> |
| ADS1274IPAPTG4   | ACTIVE        | HTQFP        | PAP             | 64   | 250         | Green (RoHS & no Sb/Br) | NIPDAU                  | Level-3-260C-168 HR  | -40 to 125   | ADS1274                 | <a href="#">Samples</a> |
| ADS1278IPAPR     | ACTIVE        | HTQFP        | PAP             | 64   | 1000        | Green (RoHS & no Sb/Br) | NIPDAU                  | Level-3-260C-168 HR  | -40 to 105   | ADS1278                 | <a href="#">Samples</a> |
| ADS1278IPAPT     | ACTIVE        | HTQFP        | PAP             | 64   | 250         | Green (RoHS & no Sb/Br) | NIPDAU                  | Level-3-260C-168 HR  | -40 to 105   | ADS1278                 | <a href="#">Samples</a> |
| ADS1278IPAPTG4   | ACTIVE        | HTQFP        | PAP             | 64   | 250         | Green (RoHS & no Sb/Br) | NIPDAU                  | Level-3-260C-168 HR  | -40 to 105   | ADS1278                 | <a href="#">Samples</a> |

(1) The marketing status values are defined as follows:

**ACTIVE:** Product device recommended for new designs.

**LIFEBUY:** TI has announced that the device will be discontinued, and a lifetime-buy period is in effect.

**NRND:** Not recommended for new designs. Device is in production to support existing customers, but TI does not recommend using this part in a new design.

**PREVIEW:** Device has been announced but is not in production. Samples may or may not be available.

**OBSOLETE:** TI has discontinued the production of the device.

(2) **RoHS:** TI defines "RoHS" to mean semiconductor products that are compliant with the current EU RoHS requirements for all 10 RoHS substances, including the requirement that RoHS substance do not exceed 0.1% by weight in homogeneous materials. Where designed to be soldered at high temperatures, "RoHS" products are suitable for use in specified lead-free processes. TI may reference these types of products as "Pb-Free".

**RoHS Exempt:** TI defines "RoHS Exempt" to mean products that contain lead but are compliant with EU RoHS pursuant to a specific EU RoHS exemption.

**Green:** TI defines "Green" to mean the content of Chlorine (Cl) and Bromine (Br) based flame retardants meet JS709B low halogen requirements of <=1000ppm threshold. Antimony trioxide based flame retardants must also meet the <=1000ppm threshold requirement.

(3) MSL, Peak Temp. - The Moisture Sensitivity Level rating according to the JEDEC industry standard classifications, and peak solder temperature.

(4) There may be additional marking, which relates to the logo, the lot trace code information, or the environmental category on the device.

(5) Multiple Device Markings will be inside parentheses. Only one Device Marking contained in parentheses and separated by a "~" will appear on a device. If a line is indented then it is a continuation of the previous line and the two combined represent the entire Device Marking for that device.

<sup>(6)</sup> Lead/Ball Finish - Orderable Devices may have multiple material finish options. Finish options are separated by a vertical ruled line. Lead/Ball Finish values may wrap to two lines if the finish value exceeds the maximum column width.

**Important Information and Disclaimer:**The information provided on this page represents TI's knowledge and belief as of the date that it is provided. TI bases its knowledge and belief on information provided by third parties, and makes no representation or warranty as to the accuracy of such information. Efforts are underway to better integrate information from third parties. TI has taken and continues to take reasonable steps to provide representative and accurate information but may not have conducted destructive testing or chemical analysis on incoming materials and chemicals. TI and TI suppliers consider certain information to be proprietary, and thus CAS numbers and other limited information may not be available for release.

In no event shall TI's liability arising out of such information exceed the total purchase price of the TI part(s) at issue in this document sold by TI to Customer on an annual basis.

**OTHER QUALIFIED VERSIONS OF ADS1278 :**

- Enhanced Product: [ADS1278-EP](#)
- Space: [ADS1278-SP](#)

NOTE: Qualified Version Definitions:

- Enhanced Product - Supports Defense, Aerospace and Medical Applications
- Space - Radiation tolerant, ceramic packaging and qualified for use in Space-based application

**TAPE AND REEL INFORMATION**

**QUADRANT ASSIGNMENTS FOR PIN 1 ORIENTATION IN TAPE**


\*All dimensions are nominal

| Device       | Package Type | Package Drawing | Pins | SPQ  | Reel Diameter (mm) | Reel Width W1 (mm) | A0 (mm) | B0 (mm) | K0 (mm) | P1 (mm) | W (mm) | Pin1 Quadrant |
|--------------|--------------|-----------------|------|------|--------------------|--------------------|---------|---------|---------|---------|--------|---------------|
| ADS1274IPAPR | HTQFP        | PAP             | 64   | 1000 | 330.0              | 24.4               | 13.0    | 13.0    | 1.5     | 16.0    | 24.0   | Q2            |
| ADS1274IPAPT | HTQFP        | PAP             | 64   | 250  | 180.0              | 24.4               | 13.0    | 13.0    | 1.5     | 16.0    | 24.0   | Q2            |
| ADS1278IPAPR | HTQFP        | PAP             | 64   | 1000 | 330.0              | 24.4               | 13.0    | 13.0    | 1.5     | 16.0    | 24.0   | Q2            |
| ADS1278IPAPT | HTQFP        | PAP             | 64   | 250  | 180.0              | 24.4               | 13.0    | 13.0    | 1.5     | 16.0    | 24.0   | Q2            |

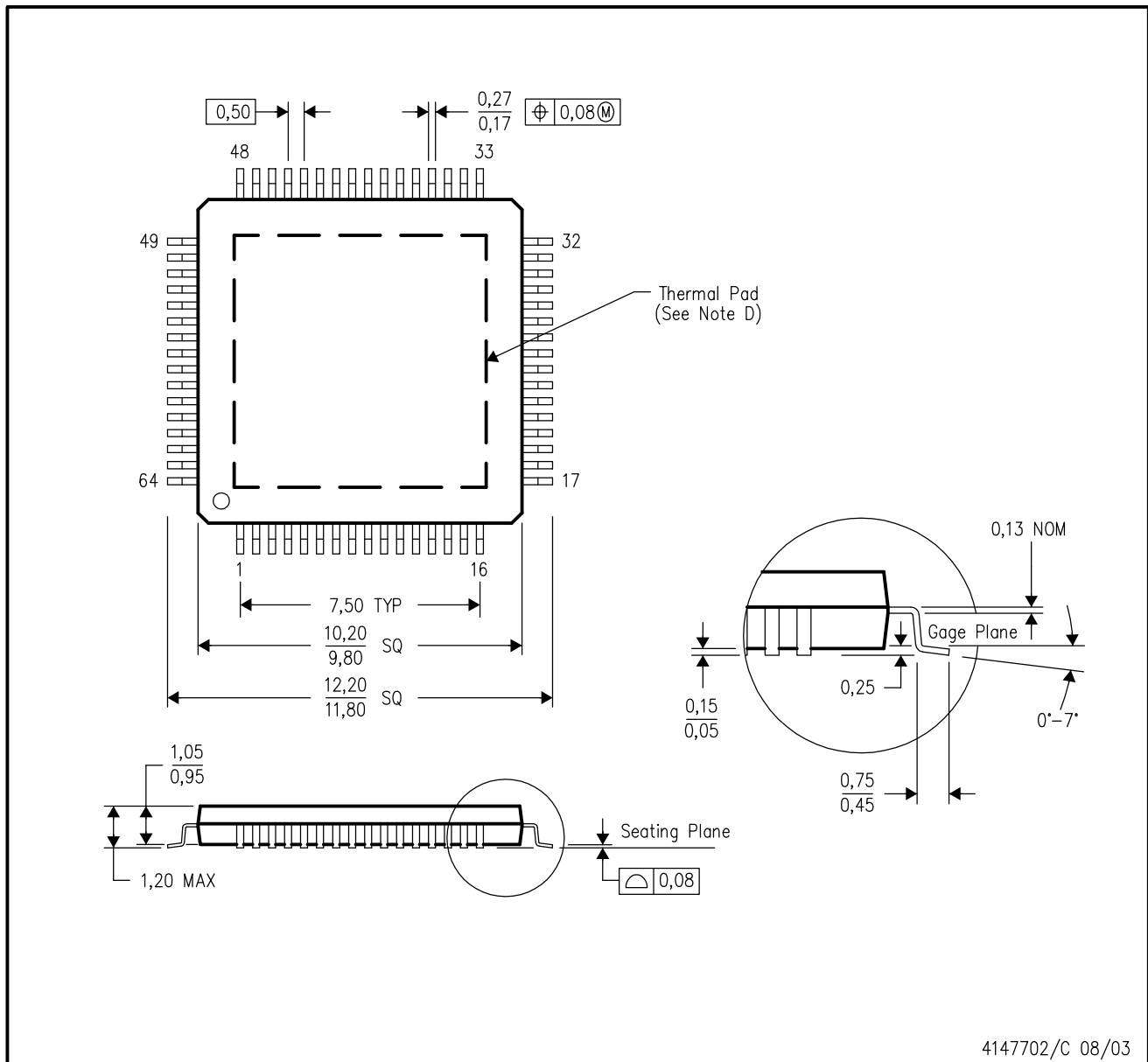
**TAPE AND REEL BOX DIMENSIONS**


\*All dimensions are nominal

| Device       | Package Type | Package Drawing | Pins | SPQ  | Length (mm) | Width (mm) | Height (mm) |
|--------------|--------------|-----------------|------|------|-------------|------------|-------------|
| ADS1274IPAPR | HTQFP        | PAP             | 64   | 1000 | 350.0       | 350.0      | 43.0        |
| ADS1274IPAPT | HTQFP        | PAP             | 64   | 250  | 213.0       | 191.0      | 55.0        |
| ADS1278IPAPR | HTQFP        | PAP             | 64   | 1000 | 350.0       | 350.0      | 43.0        |
| ADS1278IPAPT | HTQFP        | PAP             | 64   | 250  | 213.0       | 191.0      | 55.0        |

PAP (S-PQFP-G64)

PowerPAD™ PLASTIC QUAD FLATPACK



- NOTES:
- A. All linear dimensions are in millimeters.
  - B. This drawing is subject to change without notice.
  - C. Body dimensions do not include mold flash or protrusion
  - D. This package is designed to be soldered to a thermal pad on the board. Refer to Technical Brief, PowerPad Thermally Enhanced Package, Texas Instruments Literature No. SLMA002 for information regarding recommended board layout. This document is available at [www.ti.com](http://www.ti.com) <<http://www.ti.com>>.
  - E. Falls within JEDEC MS-026

PowerPAD is a trademark of Texas Instruments.



## THERMAL PAD MECHANICAL DATA

PAP (S-PQFP-G64)

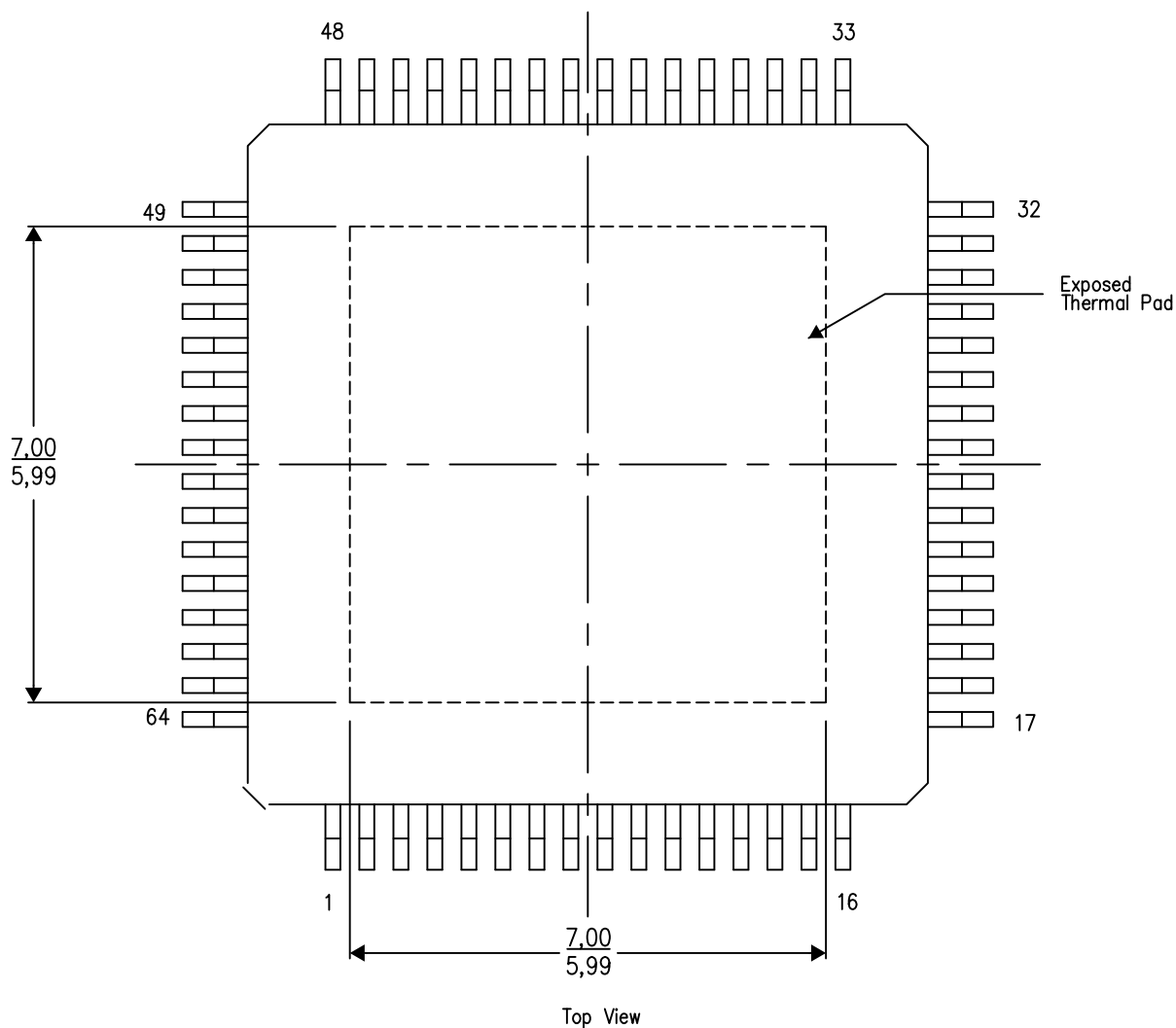
PowerPAD™ PLASTIC QUAD FLATPACK

### THERMAL INFORMATION

This PowerPAD™ package incorporates an exposed thermal pad that is designed to be attached to a printed circuit board (PCB). The thermal pad must be soldered directly to the PCB. After soldering, the PCB can be used as a heatsink. In addition, through the use of thermal vias, the thermal pad can be attached directly to the appropriate copper plane shown in the electrical schematic for the device, or alternatively, can be attached to a special heatsink structure designed into the PCB. This design optimizes the heat transfer from the integrated circuit (IC).

For additional information on the PowerPAD package and how to take advantage of its heat dissipating abilities, refer to Technical Brief, PowerPAD Thermally Enhanced Package, Texas Instruments Literature No. SLMA002 and Application Brief, PowerPAD Made Easy, Texas Instruments Literature No. SLMA004. Both documents are available at [www.ti.com](http://www.ti.com).

The exposed thermal pad dimensions for this package are shown in the following illustration.



4206326-5/P 05/14

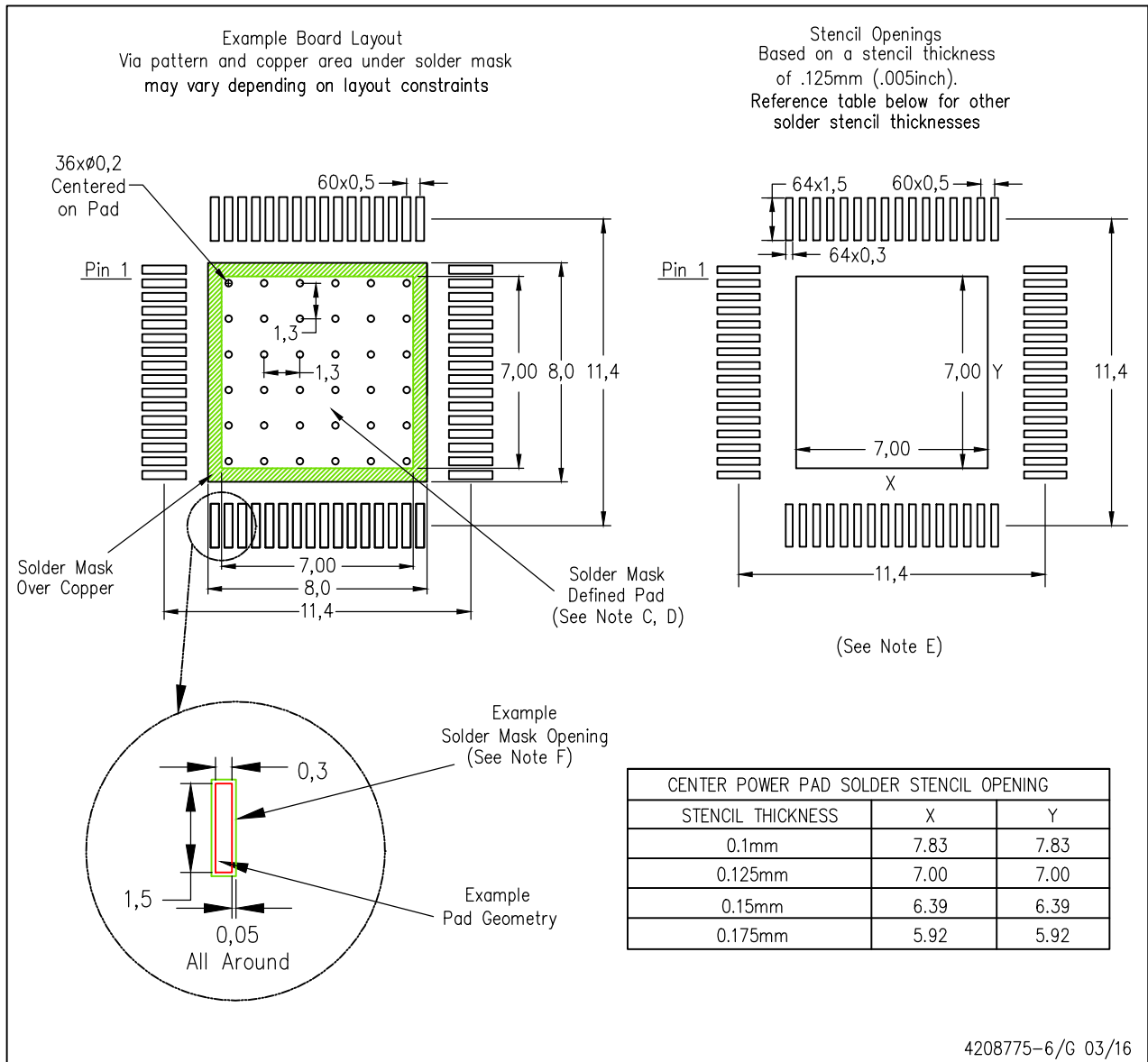
NOTES: A. All linear dimensions are in millimeters

PowerPAD is a trademark of Texas Instruments

# LAND PATTERN DATA

PAP (S-PQFP-G64)

PowerPAD™ PLASTIC QUAD FLATPACK



- NOTES:
- All linear dimensions are in millimeters.
  - This drawing is subject to change without notice.
  - Customers should place a note on the circuit board fabrication drawing not to alter the center solder mask defined pad.
  - This package is designed to be soldered to a thermal pad on the board. Refer to Technical Brief, PowerPad Thermally Enhanced Package, Texas Instruments Literature No. SLMA002, SLMA004, and also the Product Data Sheets for specific thermal information, via requirements, and recommended board layout. These documents are available at [www.ti.com](http://www.ti.com) <<http://www.ti.com>>. Publication IPC-7351 is recommended for alternate designs.
  - Laser cutting apertures with trapezoidal walls and also rounding corners will offer better paste release. Customers should contact their board assembly site for stencil design recommendations. Example stencil design based on a 50% volumetric metal load solder paste. Refer to IPC-7525 for other stencil recommendations.
  - Customers should contact their board fabrication site for solder mask tolerances between and around signal pads.
- PowerPAD is a trademark of Texas Instruments**

## IMPORTANT NOTICE AND DISCLAIMER

TI PROVIDES TECHNICAL AND RELIABILITY DATA (INCLUDING DATASHEETS), DESIGN RESOURCES (INCLUDING REFERENCE DESIGNS), APPLICATION OR OTHER DESIGN ADVICE, WEB TOOLS, SAFETY INFORMATION, AND OTHER RESOURCES "AS IS" AND WITH ALL FAULTS, AND DISCLAIMS ALL WARRANTIES, EXPRESS AND IMPLIED, INCLUDING WITHOUT LIMITATION ANY IMPLIED WARRANTIES OF MERCHANTABILITY, FITNESS FOR A PARTICULAR PURPOSE OR NON-INFRINGEMENT OF THIRD PARTY INTELLECTUAL PROPERTY RIGHTS.

These resources are intended for skilled developers designing with TI products. You are solely responsible for (1) selecting the appropriate TI products for your application, (2) designing, validating and testing your application, and (3) ensuring your application meets applicable standards, and any other safety, security, or other requirements. These resources are subject to change without notice. TI grants you permission to use these resources only for development of an application that uses the TI products described in the resource. Other reproduction and display of these resources is prohibited. No license is granted to any other TI intellectual property right or to any third party intellectual property right. TI disclaims responsibility for, and you will fully indemnify TI and its representatives against, any claims, damages, costs, losses, and liabilities arising out of your use of these resources.

TI's products are provided subject to TI's Terms of Sale ([www.ti.com/legal/termsofsale.html](http://www.ti.com/legal/termsofsale.html)) or other applicable terms available either on [ti.com](http://ti.com) or provided in conjunction with such TI products. TI's provision of these resources does not expand or otherwise alter TI's applicable warranties or warranty disclaimers for TI products.

Mailing Address: Texas Instruments, Post Office Box 655303, Dallas, Texas 75265  
Copyright © 2020, Texas Instruments Incorporated

## X-ON Electronics

Largest Supplier of Electrical and Electronic Components

*Click to view similar products for [Analog to Digital Converters - ADC category](#):*

*Click to view products by [Texas Instruments manufacturer](#):*

Other Similar products are found below :

[MCP37211-200I/TE](#) [AD9235BCPZRL7-40](#) [HT7316ARQZ](#) [ADS1100A3IDBVR](#) [HI1175JCB](#) [HI3-574AJN-5](#) [HI5714/4CB](#) [HI5746KCA](#)  
[HI5766KCAZ](#) [HI5766KCBZ](#) [ISOSD61TR](#) [ES7201](#) [AD7266BSUZ-REEL](#) [AD7708BRZ-REEL7](#) [CLM2543IDW](#) [CLM2543CDW](#)  
[MCP3004T-I/SL](#) [ADS7853IPWR](#) [GP9301BXI-F10K-D1V10-SH](#) [GP9301BXI-F10K-N-SH](#) [GP9101-F50-C1H1-SW](#) [GP9301BXI-F5K-N-SW](#)  
[GP9101-F10K-N-SW](#) [GP9301BXI-F4K-D1V10-SH](#) [GP9301BXI-F1K-L5H2-SH](#) [LTC2484IDD#TRPBF](#) [AD9245BCPZRL7-20](#) [SSP1120](#)  
[ADS8332IBRGER](#) [ADS8168IRHBR](#) [HT7705ARWZ](#) [ADS9224RIRHBR](#) [ADC101S051CIMF](#) [AD7779ACPZ-RL](#) [AD7714YRUZ-REEL](#)  
[AD7608BSTZ-RL](#) [LTC2447IUHF#PBF](#) [AD9235BRUZRL7-20](#) [AD7888ARUZ-REEL](#) [AD7606BBSTZ-RL](#) [AD7998BRUZ-1REEL](#)  
[AD7276ARMZ-REEL](#) [AD7997BRUZ-1REEL](#) [LTC2348ILX-16#PBF](#) [AD2S1210BSTZ-RL7](#) [AD7711ARZ-REEL7](#) [AD7865ASZ-1REEL](#)  
[AD7923BRUZ-REEL](#) [AD7495ARZ-REEL7](#) [AD9629BCPZRL7-40](#)