

## ADS7029-Q1 小型低功耗 8 位、2MSPS SAR ADC

### 1 特性

- 适用于汽车电子 应用
- 具有符合 AEC-Q100 标准的下列结果：
  - 器件温度 1 级：-40°C 至 125°C 的环境运行温度范围
  - 器件人体放电模型 (HBM) 静电放电 (ESD) 分类等级  $\pm 2000V$
  - 器件带电器件模型 (CDM) 静电放电 (ESD) 分类等级  $\pm 1000V$
- 超低功耗：
  - 2MSPS、AVDD 为 3V 时的功耗为 1.11 mW (最大值)
  - 1kSPS、AVDD 为 3V 时的功耗低于 1 $\mu$ W
- 微型封装：
  - 8 引脚超薄小外形尺寸 (VSSOP) 封装：2.30mm x 2.00mm
- 吞吐量为 2MSPS 且零延迟
- 宽工作电压范围：
  - AVDD：2.35V 至 3.6V
  - DVDD：1.65V 至 3.6V (与 AVDD 无关)
  - 温度范围：-40°C 至 +125°C
- 性能优异：
  - 8 位分辨率且无丢码 (NMC)
  - $\pm 0.2$  最低有效位 (LSB) 微分非线性 (DNL)； $\pm 0.25$  最低有效位 (LSB) 积分非线性 (INL)
  - 信噪比 (SNR) 为 49dB (3V AVDD 时)
  - 总谐波失真 (THD) 为 -70dB (3V AVDD 时)
- 单极输入范围：0V 至 AVDD
- 集成偏移校准
- 兼容 SPI 的串行接口：32MHz
- 符合 JESD8-7A 标准的数字 I/O

### 2 应用

- 车用信息娱乐
- 车用传感器
- 液位传感器
- 超声波流量计
- 电机控制
- 便携式医疗设备

### 3 说明

ADS7029-Q1 器件是一款符合汽车类 Q100 标准的 8 位、2MSPS 模数转换器 (ADC)。此器件支持宽范围的模拟输入电压 (2.35V 至 3.6V)，并且包括一个基于电容器且内置采样保持电路的 SAR ADC。串行外设接口 (SPI) 兼容串口由  $\overline{CS}$  和 SCLK 信号控制。输入信号在  $\overline{CS}$  下降沿进行采样，SCLK 用于转换和串行数据输出。此器件支持宽范围的数字电源 (1.65V 至 3.6V)，可直接连接到各类主机控制器。ADS7029-Q1 符合 JESD8-7A 标准的标称 DVDD 范围 (1.65V 至 1.95V)。

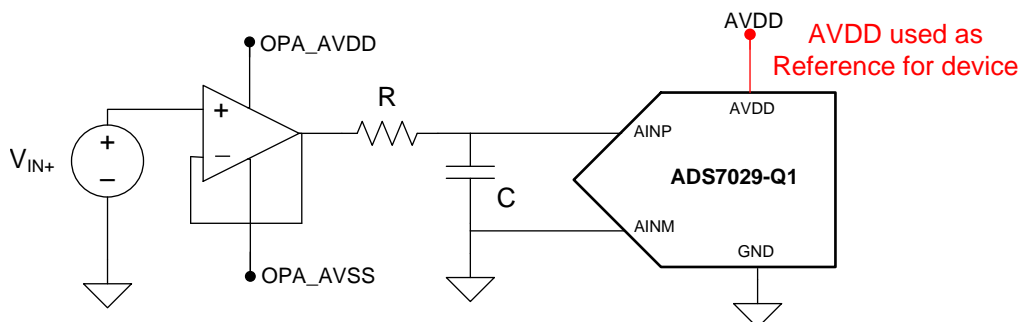
ADS7029-Q1 采用 8 引脚微型超薄小外形尺寸 (VSSOP) 封装，额定工作温度范围为 -40°C 至 +125°C。ADS7029-Q1 采样速率较快，采用微型封装并具有低功耗特性，适用于空间受限的汽车类快速扫描 标准的理想选择。

器件信息(1)

| 部件名称       | 封装                   | 封装尺寸 (标称值)      |
|------------|----------------------|-----------------|
| ADS7029-Q1 | 超薄小外形尺寸封装 (VSSOP)(8) | 2.30mm x 2.00mm |

(1) 要了解所有可用封装，请见数据表末尾的可订购产品附录。

### 典型应用



Copyright © 2016, Texas Instruments Incorporated



## 目录

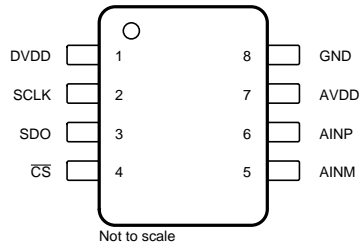
|          |  |           |           |   |           |
|----------|--|-----------|-----------|---|-----------|
| <b>1</b> | 特性 .....                                       | <b>1</b>  | 8.4       | Device Functional Modes.....                  | <b>17</b> |
| <b>2</b> | 应用 .....                                       | <b>1</b>  | <b>9</b>  | <b>Application and Implementation .....</b>   | <b>20</b> |
| <b>3</b> | 说明 .....                                       | <b>1</b>  | 9.1       | Application Information.....                  | <b>20</b> |
| <b>4</b> | 修订历史记录 .....                                   | <b>2</b>  | 9.2       | Typical Application .....                     | <b>20</b> |
| <b>5</b> | <b>Pin Configuration and Functions .....</b>   | <b>3</b>  | <b>10</b> | <b>Power Supply Recommendations .....</b>     | <b>23</b> |
| <b>6</b> | <b>Specifications.....</b>                     | <b>4</b>  | 10.1      | AVDD and DVDD Supply Recommendations.....     | <b>23</b> |
| 6.1      | Absolute Maximum Ratings .....                 | <b>4</b>  | 10.2      | Estimating Digital Power Consumption.....     | <b>23</b> |
| 6.2      | ESD Ratings.....                               | <b>4</b>  | 10.3      | Optimizing Power Consumed by the Device ..... | <b>23</b> |
| 6.3      | Recommended Operating Conditions.....          | <b>4</b>  | <b>11</b> | <b>Layout.....</b>                            | <b>24</b> |
| 6.4      | Thermal Information .....                      | <b>4</b>  | 11.1      | Layout Guidelines .....                       | <b>24</b> |
| 6.5      | Electrical Characteristics.....                | <b>5</b>  | 11.2      | Layout Example .....                          | <b>24</b> |
| 6.6      | Timing Requirements .....                      | <b>6</b>  | <b>12</b> | <b>器件和文档支持 .....</b>                          | <b>25</b> |
| 6.7      | Switching Characteristics .....                | <b>6</b>  | 12.1      | 文档支持 .....                                    | <b>25</b> |
| 6.8      | Typical Characteristics .....                  | <b>7</b>  | 12.2      | 接收文档更新通知 .....                                | <b>25</b> |
| <b>7</b> | <b>Parameter Measurement Information .....</b> | <b>12</b> | 12.3      | 社区资源 .....                                    | <b>25</b> |
| 7.1      | Digital Voltage Levels .....                   | <b>12</b> | 12.4      | 商标 .....                                      | <b>25</b> |
| <b>8</b> | <b>Detailed Description .....</b>              | <b>12</b> | 12.5      | 静电放电警告.....                                   | <b>25</b> |
| 8.1      | Overview .....                                 | <b>12</b> | 12.6      | Glossary .....                                | <b>25</b> |
| 8.2      | Functional Block Diagram .....                 | <b>13</b> | <b>13</b> | <b>机械、封装和可订购信息 .....</b>                      | <b>25</b> |
| 8.3      | Feature Description.....                       | <b>13</b> |           |   |           |

## 4 修订历史记录

| 日期         | 修订版本 | 注释    |
|------------|------|-------|
| 2017 年 1 月 | *    | 最初发布。 |

## 5 Pin Configuration and Functions

**DCU Package  
8-Pin Leaded VSSOP  
Top View**



Not to scale

### Pin Functions

| NAME                   | NO. | I/O            | DESCRIPTION  |
|------------------------|-----|----------------|--|
| AINM                   | 5   | Analog input   | Analog signal input, negative  |
| AINP                   | 6   | Analog input   | Analog signal input, positive  |
| AVDD                   | 7   | Supply         | Analog power-supply input, also provides the reference voltage to the ADC        |
| $\overline{\text{CS}}$ | 4   | Digital input  | Chip-select signal, active low   |
| DVDD                   | 1   | Supply         | Digital I/O supply voltage   |
| GND                    | 8   | Supply         | Ground for power supply, all analog and digital signals are referred to this pin |
| SCLK                   | 2   | Digital input  | Serial clock   |
| SDO                    | 3   | Digital output | Serial data out  |

## 6 Specifications

### 6.1 Absolute Maximum Ratings<sup>(1)</sup>

|                                       | MIN  | MAX        | UNIT |
|---------------------------------------|------|------------|------|
| AVDD to GND                           | -0.3 | 3.9        | V    |
| DVDD to GND                           | -0.3 | 3.9        | V    |
| AINP to GND                           | -0.3 | AVDD + 0.3 | V    |
| AINM to GND                           | -0.3 | 0.3        | V    |
| Digital input voltage to GND          | -0.3 | DVDD + 0.3 | V    |
| Storage temperature, T <sub>stg</sub> | -60  | 150        | °C   |

(1) Stresses beyond those listed under *Absolute Maximum Ratings* may cause permanent damage to the device. These are stress ratings only, which do not imply functional operation of the device at these or any other conditions beyond those indicated under *Recommended Operating Conditions*. Exposure to absolute-maximum-rated conditions for extended periods may affect device reliability.

### 6.2 ESD Ratings

|  |   | VALUE | UNIT |
|--|---|-------|------|
| V <sub>(ESD)</sub> Electrostatic discharge | Human-body model (HBM), per AEC Q100-002 <sup>(1)</sup> | ±2000 | V    |
|  | Charged-device model (CDM), per AEC Q100-011            | ±1000 |      |

(1) AEC Q100-002 indicates that HBM stressing shall be in accordance with the ANSI/ESDA/JEDEC JS-001 specification.

### 6.3 Recommended Operating Conditions

over operating free-air temperature range (unless otherwise noted)

|                |                                | MIN  | NOM | MAX | UNIT |
|----------------|--------------------------------|------|-----|-----|------|
| AVDD           | Analog supply voltage range    | 2.35 |     | 3.6 | V    |
| DVDD           | Digital supply voltage range   | 1.65 |     | 3.6 | V    |
| T <sub>A</sub> | Operating free-air temperature | -40  |     | 125 | °C   |

### 6.4 Thermal Information

| THERMAL METRIC <sup>(1)</sup> |  | ADS7029-Q1  | UNIT |
|-------------------------------|--|-------------|------|
|                               |  | DCU (VSSOP) |      |
|                               |  | 8 PINS      |      |
| R <sub>θJA</sub>              | Junction-to-ambient thermal resistance       | 181.8       | °C/W |
| R <sub>θJC(top)</sub>         | Junction-to-case (top) thermal resistance    | 50.8        | °C/W |
| R <sub>θJB</sub>              | Junction-to-board thermal resistance         | 73.9        | °C/W |
| ψ <sub>JT</sub>               | Junction-to-top characterization parameter   | 1.0         | °C/W |
| ψ <sub>JB</sub>               | Junction-to-board characterization parameter | 73.9        | °C/W |
| R <sub>θJC(bot)</sub>         | Junction-to-case (bottom) thermal resistance | N/A         | °C/W |

(1) For more information about traditional and new thermal metrics, see the [Semiconductor and IC Package Thermal Metrics](#) application report.

## 6.5 Electrical Characteristics

at  $T_A = -40^\circ\text{C}$  to  $125^\circ\text{C}$ ,  $AVDD = 3\text{ V}$ ,  $DVDD = 1.65\text{ V}$  to  $3.6\text{ V}$ ,  $f_{\text{SAMPLE}} = 2\text{ MSPS}$ , and  $V_{\text{AINM}} = 0\text{ V}$  (unless otherwise noted)

| PARAMETER                                       |   | TEST CONDITIONS                      | MIN                | TYP   | MAX                | UNIT               |
|---|---|--------------------------------------|--------------------|-------|--------------------|--------------------|
| <b>ANALOG INPUT</b>                             |   |                                      |                    |       |                    |                    |
| Full-scale input voltage span <sup>(1)</sup>    |   |                                      | 0                  |       | AVDD               | V                  |
| Absolute input voltage range                    | AINP to GND                                   |                                      | -0.1               |       | AVDD + 0.1         | V                  |
|   | AINM to GND                                   |                                      | -0.1               |       | 0.1                |                    |
| $C_S$   | Sampling capacitance                          |                                      |                    | 15    |                    | pF                 |
| <b>SYSTEM PERFORMANCE</b>                       |   |                                      |                    |       |                    |                    |
| Resolution                                      |   |                                      |                    | 8     |                    | Bits               |
| NMC   | No missing codes                              |                                      | 8                  |       |                    | Bits               |
| INL   | Integral nonlinearity                         | AVDD = 3 V                           | -0.5               | ±0.25 | 0.5                | LSB <sup>(2)</sup> |
| DNL   | Differential nonlinearity                     | AVDD = 3 V                           | -0.4               | ±0.2  | 0.4                | LSB                |
| $E_O$   | Offset error                                  |                                      |                    | ±0.5  |                    | LSB                |
| $dV_{OS}/dT$                                    | Offset error drift with temperature           |                                      |                    | ±25   |                    | ppm/°C             |
| $E_G$   | Gain error                                    | AVDD = 3 V                           |                    | ±0.2  |                    | %FS                |
|   | Gain error drift with temperature             | No calibration                       |                    | ±25   |                    | ppm/°C             |
| <b>SAMPLING DYNAMICS</b>                        |   |                                      |                    |       |                    |                    |
| $t_{ACQ}$                                       | Acquisition time                              |                                      | 120                |       |                    | ns                 |
| Maximum throughput rate                         |   | 32-MHz SCLK, AVDD = 2.35 V to 3.6 V  |                    |       | 2                  | MHz                |
| <b>DYNAMIC CHARACTERISTICS</b>                  |   |                                      |                    |       |                    |                    |
| SNR   | Signal-to-noise ratio <sup>(3)</sup>          | $f_{IN} = 2\text{ kHz}$ , AVDD = 3 V | 48.5               | 49    |                    | dB                 |
| THD   | Total harmonic distortion <sup>(3)(4)</sup>   | $f_{IN} = 2\text{ kHz}$ , AVDD = 3 V |                    | -70   |                    | dB                 |
| SINAD   | Signal-to-noise and distortion <sup>(3)</sup> | $f_{IN} = 2\text{ kHz}$ , AVDD = 3 V | 48.5               | 49    |                    | dB                 |
| SFDR  | Spurious-free dynamic range <sup>(3)</sup>    | $f_{IN} = 2\text{ kHz}$ , AVDD = 3 V |                    | 75    |                    | dB                 |
| $BW_{(fp)}$                                     | Full-power bandwidth                          | At -3 dB, AVDD = 3 V                 |                    | 25    |                    | MHz                |
| <b>DIGITAL INPUT/OUTPUT (CMOS Logic Family)</b> |   |                                      |                    |       |                    |                    |
| $V_{IH}$  | High-level input voltage <sup>(5)</sup>       |                                      | $0.65 \times DVDD$ |       | $DVDD + 0.3$       | V                  |
| $V_{IL}$  | Low-level input voltage <sup>(5)</sup>        |                                      | -0.3               |       | $0.35 \times DVDD$ | V                  |
| $V_{OH}$  | High-level output voltage <sup>(5)</sup>      | At $I_{source} = 500\ \mu\text{A}$   | $0.8 \times DVDD$  |       | DVDD               | V                  |
|   |   | At $I_{source} = 2\text{ mA}$        | $DVDD - 0.45$      |       | DVDD               |                    |
| $V_{OL}$  | Low-level output voltage <sup>(5)</sup>       | At $I_{sink} = 500\ \mu\text{A}$     | 0                  |       | $0.2 \times DVDD$  | V                  |
|   |   | At $I_{sink} = 2\text{ mA}$          | 0                  |       | 0.45               |                    |
| <b>POWER-SUPPLY REQUIREMENTS</b>                |   |                                      |                    |       |                    |                    |
| AVDD  | Analog supply voltage                         |                                      | 2.35               | 3     | 3.6                | V                  |
| DVDD  | Digital I/O supply voltage                    |                                      | 1.65               | 3     | 3.6                | V                  |
| $I_{AVDD}$                                      | Analog supply current                         | At 2 MSPS with AVDD = 3 V            |                    | 335   | 370                | μA                 |
| $I_{DVDD}$                                      | Digital supply current                        | AVDD = 3 V, no load, no transitions  |                    | 10    |                    | μA                 |
| $P_D$   | Power dissipation                             | At 2 MSPS with AVDD = 3 V            |                    | 1.005 | 1.11               | mW                 |

(1) Ideal input span; does not include gain or offset error.

(2) LSB means least significant bit.

(3) All specifications expressed in decibels (dB) refer to the full-scale input (FSR) and are tested with an input signal 0.5 dB below full-scale, unless otherwise specified.

(4) Calculated on the first nine harmonics of the input frequency.

(5) Digital voltage levels comply with the JESD8-7A standard for DVDD from 1.65 V to 1.95 V; see the [Digital Voltage Levels](#) section for more details.

### 6.6 Timing Requirements

all specifications are at  $T_A = -40^{\circ}\text{C}$  to  $125^{\circ}\text{C}$ ,  $\text{AVDD} = 2.35\text{ V}$  to  $3.6\text{ V}$ ,  $\text{DVDD} = 1.65\text{ V}$  to  $3.6\text{ V}$ , and  $\text{C}_{\text{LOAD}}$  on SDO =  $20\text{ pF}$  (unless otherwise specified)

|                       |  | MIN   | TYP | MAX  | UNIT              |
|-----------------------|--|-------|-----|------|-------------------|
| $t_{\text{ACQ}}$      | Acquisition time   | 120   |     |      | ns                |
| $f_{\text{SCLK}}$     | SCLK frequency   | 0.016 |     | 24   | MHz               |
| $t_{\text{SCLK}}$     | SCLK period  | 41.67 |     |      | ns                |
| $t_{\text{PH\_CK}}$   | SCLK high time   | 0.45  |     | 0.55 | $t_{\text{SCLK}}$ |
| $t_{\text{PL\_CK}}$   | SCLK low time  | 0.45  |     | 0.55 | $t_{\text{SCLK}}$ |
| $t_{\text{PH\_CS}}$   | $\overline{\text{CS}}$ high time                               | 30    |     |      | ns                |
| $t_{\text{SU\_CSCK}}$ | Setup time: $\overline{\text{CS}}$ falling to SCLK falling     | 12    |     |      | ns                |
| $t_{\text{D\_CKCS}}$  | Delay time: last SCLK falling to $\overline{\text{CS}}$ rising | 10    |     |      | ns                |

### 6.7 Switching Characteristics

all specifications are at  $T_A = -40^{\circ}\text{C}$  to  $125^{\circ}\text{C}$ ,  $\text{AVDD} = 2.35\text{ V}$  to  $3.6\text{ V}$ ,  $\text{DVDD} = 1.65\text{ V}$  to  $3.6\text{ V}$ , and  $\text{C}_{\text{LOAD}}$  on SDO =  $20\text{ pF}$  (unless otherwise specified)

| PARAMETER               | TEST CONDITIONS  | MIN | TYP  | MAX | UNIT          |
|-------------------------|--|-----|--|-----|---------------|
| $f_{\text{THROUGHPUT}}$ | Throughput   |     |  | 2   | MSPS          |
| $t_{\text{CYCLE}}$      | Cycle time   | 0.5 |  |     | $\mu\text{s}$ |
| $t_{\text{CONV}}$       | Conversion time  |     | $8.5 \times t_{\text{SCLK}} + t_{\text{SU\_CSCK}}$ |     | ns            |
| $t_{\text{DV\_CSDO}}$   | Delay time: $\overline{\text{CS}}$ falling to data enable            |     |  | 10  | ns            |
| $t_{\text{D\_CKDO}}$    | Delay time: SCLK falling to (next) data valid on DOUT                |     | $\text{AVDD} = 2.35\text{ V to }3.6\text{ V}$      | 25  | ns            |
| $t_{\text{DZ\_CSDO}}$   | Delay time: $\overline{\text{CS}}$ rising to DOUT going to tri-state | 5   |  |     | ns            |

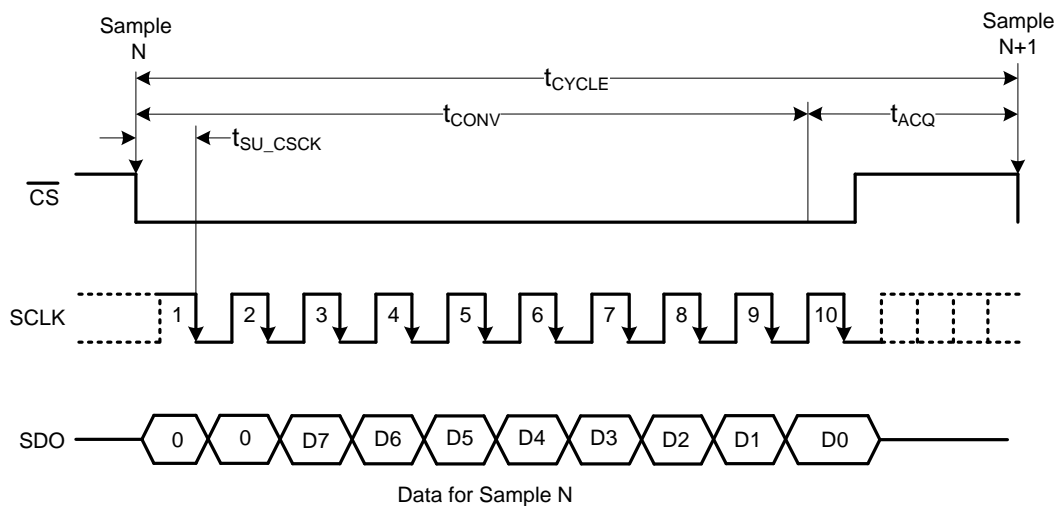
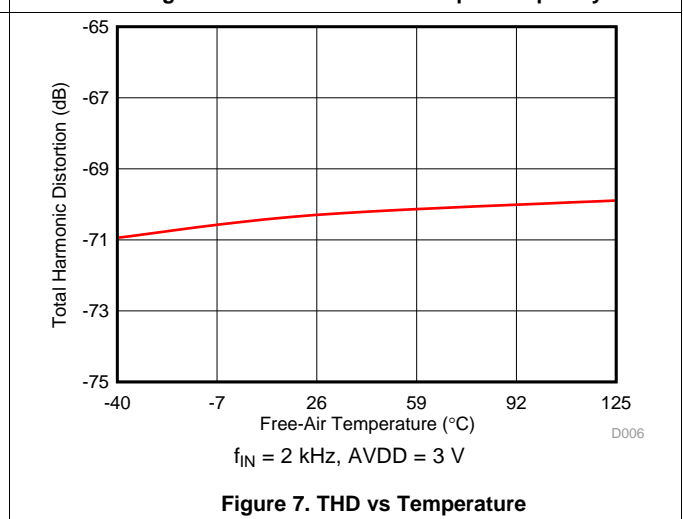
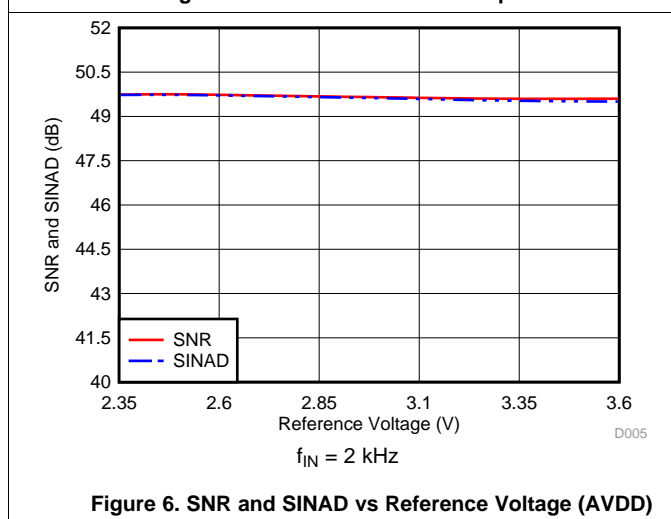
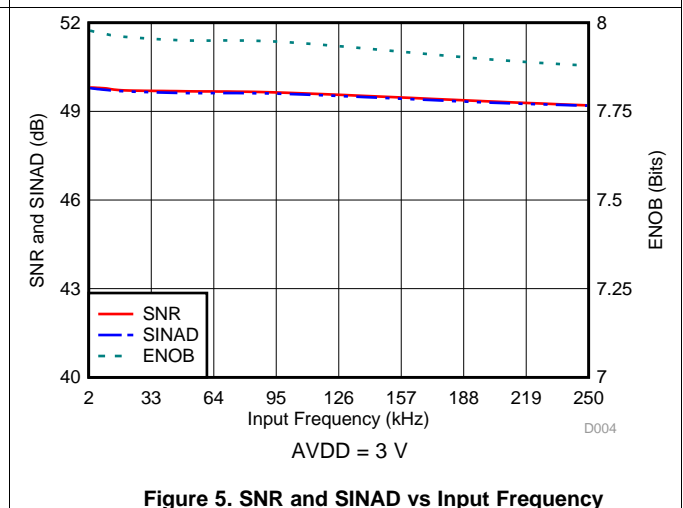
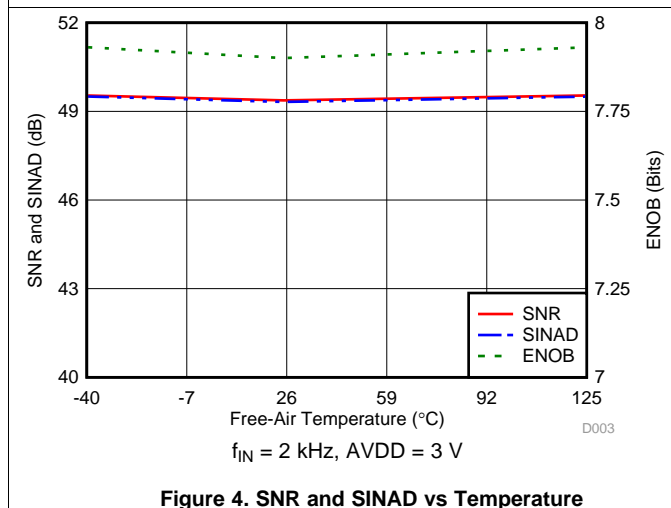
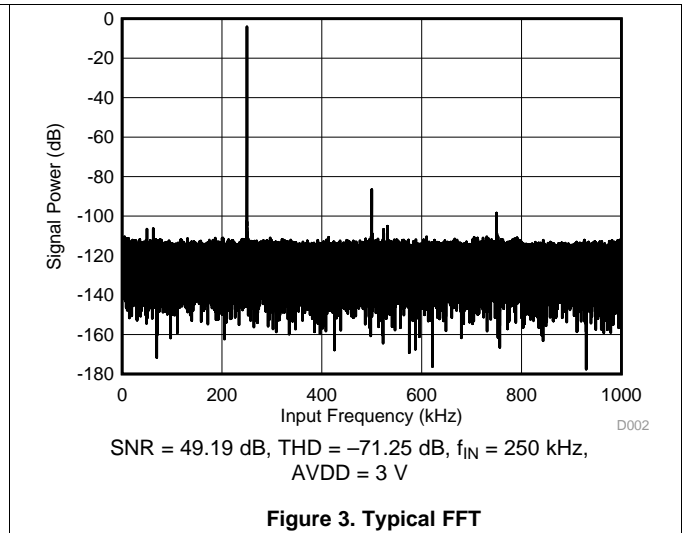
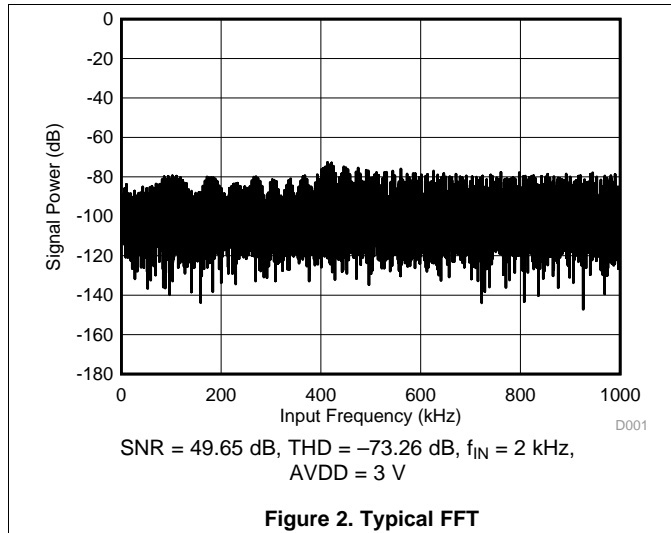


Figure 1. Timing Diagram

### 6.8 Typical Characteristics

at  $T_A = 25^\circ\text{C}$ ,  $AVDD = 3\text{ V}$ ,  $DVDD = 1.8\text{ V}$ , and  $f_{\text{SAMPLE}} = 2\text{ MSPS}$  (unless otherwise noted)



Typical Characteristics (continued)

at  $T_A = 25^\circ\text{C}$ ,  $AVDD = 3\text{ V}$ ,  $DVDD = 1.8\text{ V}$ , and  $f_{\text{SAMPLE}} = 2\text{ MSPS}$  (unless otherwise noted)

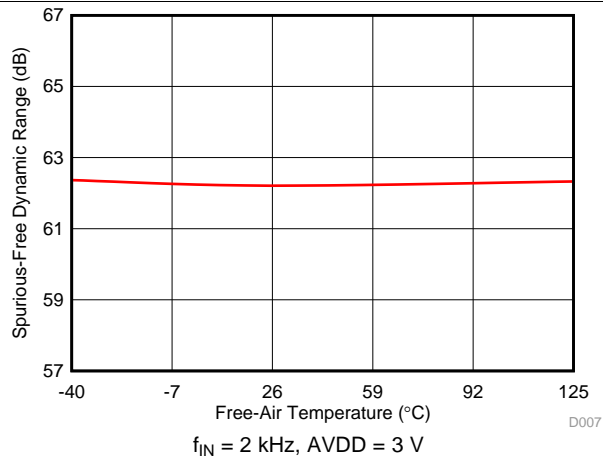


Figure 8. SFDR vs Temperature

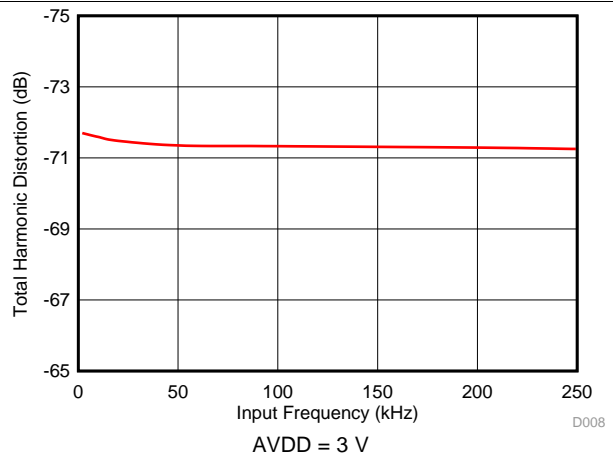


Figure 9. THD vs Input Frequency

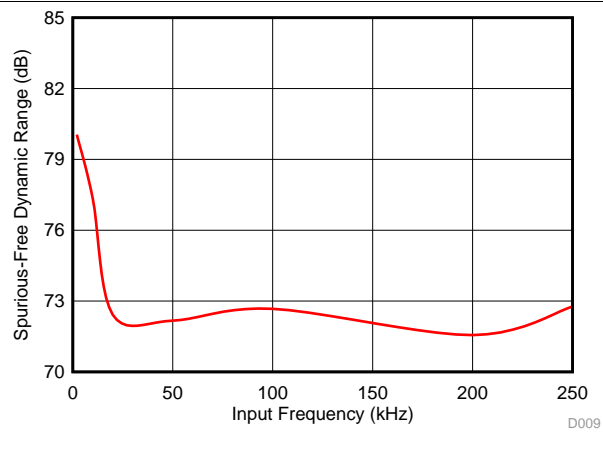


Figure 10. SFDR vs Input Frequency

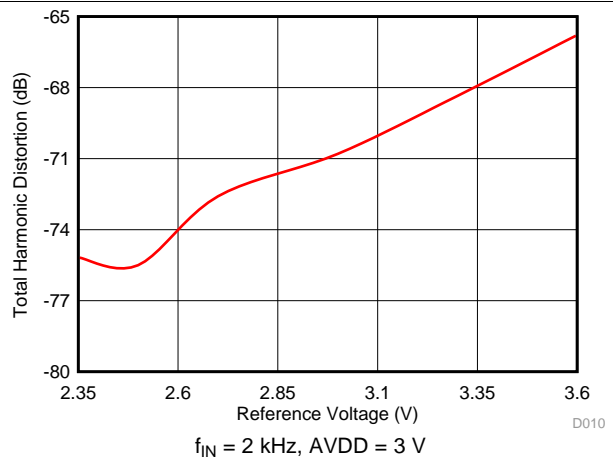


Figure 11. THD vs Reference Voltage (AVDD)

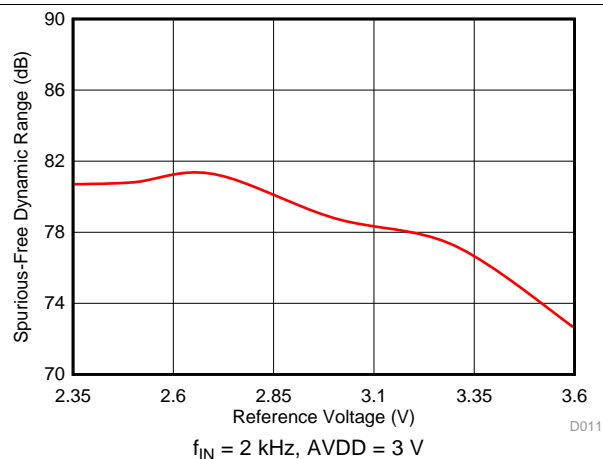


Figure 12. SFDR vs Reference Voltage (AVDD)

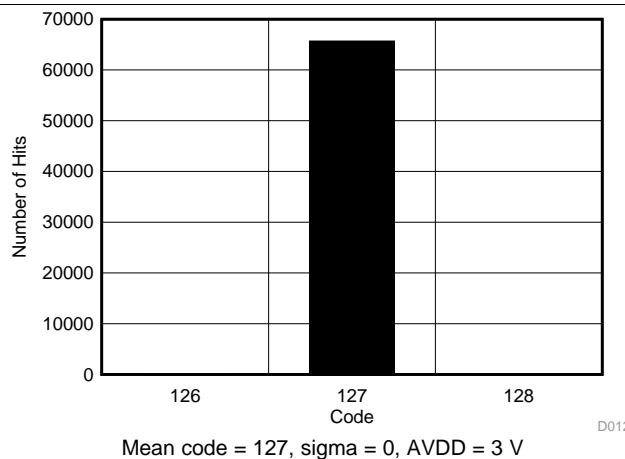


Figure 13. DC Input Histogram



### Typical Characteristics (continued)

at  $T_A = 25^\circ\text{C}$ ,  $AVDD = 3\text{ V}$ ,  $DVDD = 1.8\text{ V}$ , and  $f_{\text{SAMPLE}} = 2\text{ MSPS}$  (unless otherwise noted)

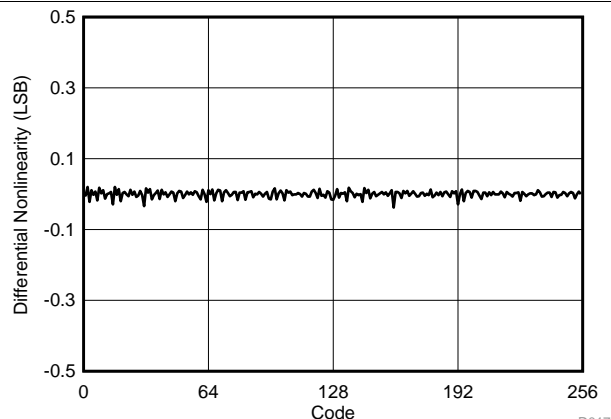


Figure 14. Typical DNL

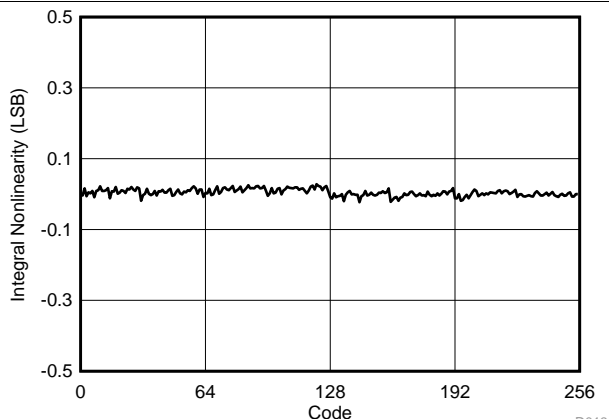


Figure 15. Typical INL

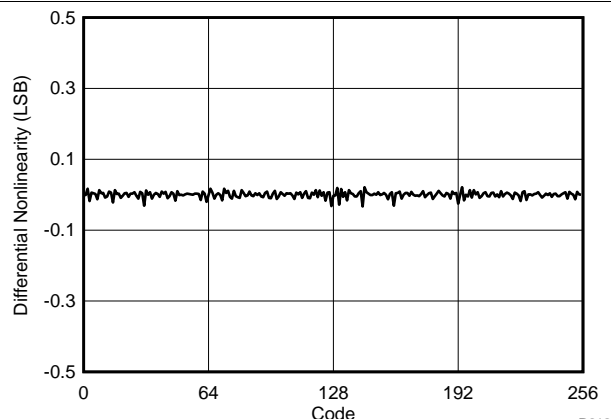


Figure 16. Typical DNL

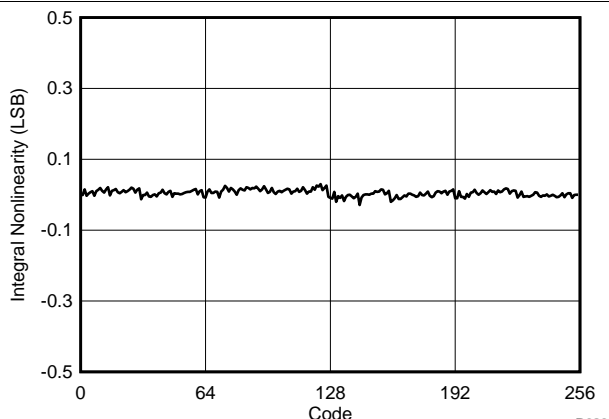


Figure 17. Typical INL

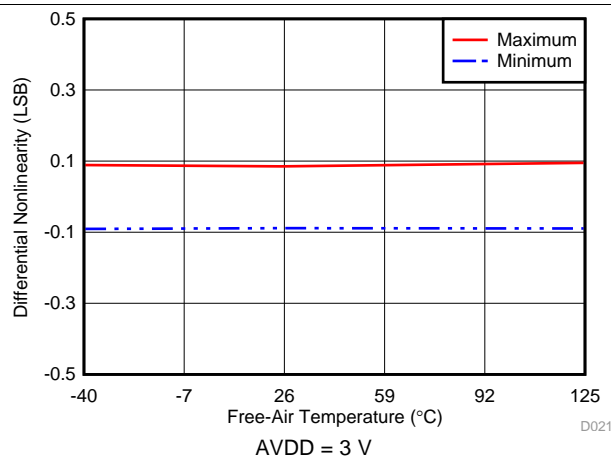


Figure 18. DNL vs Temperature

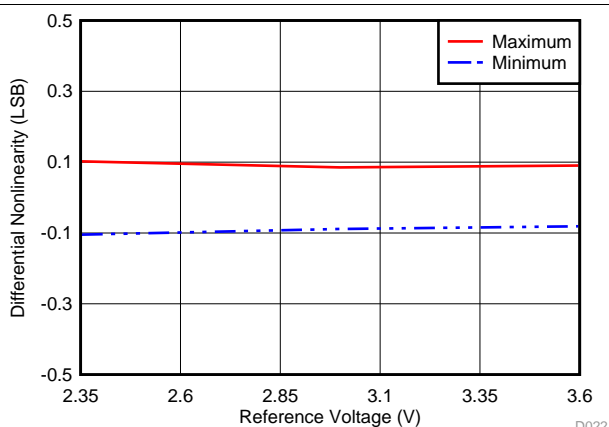
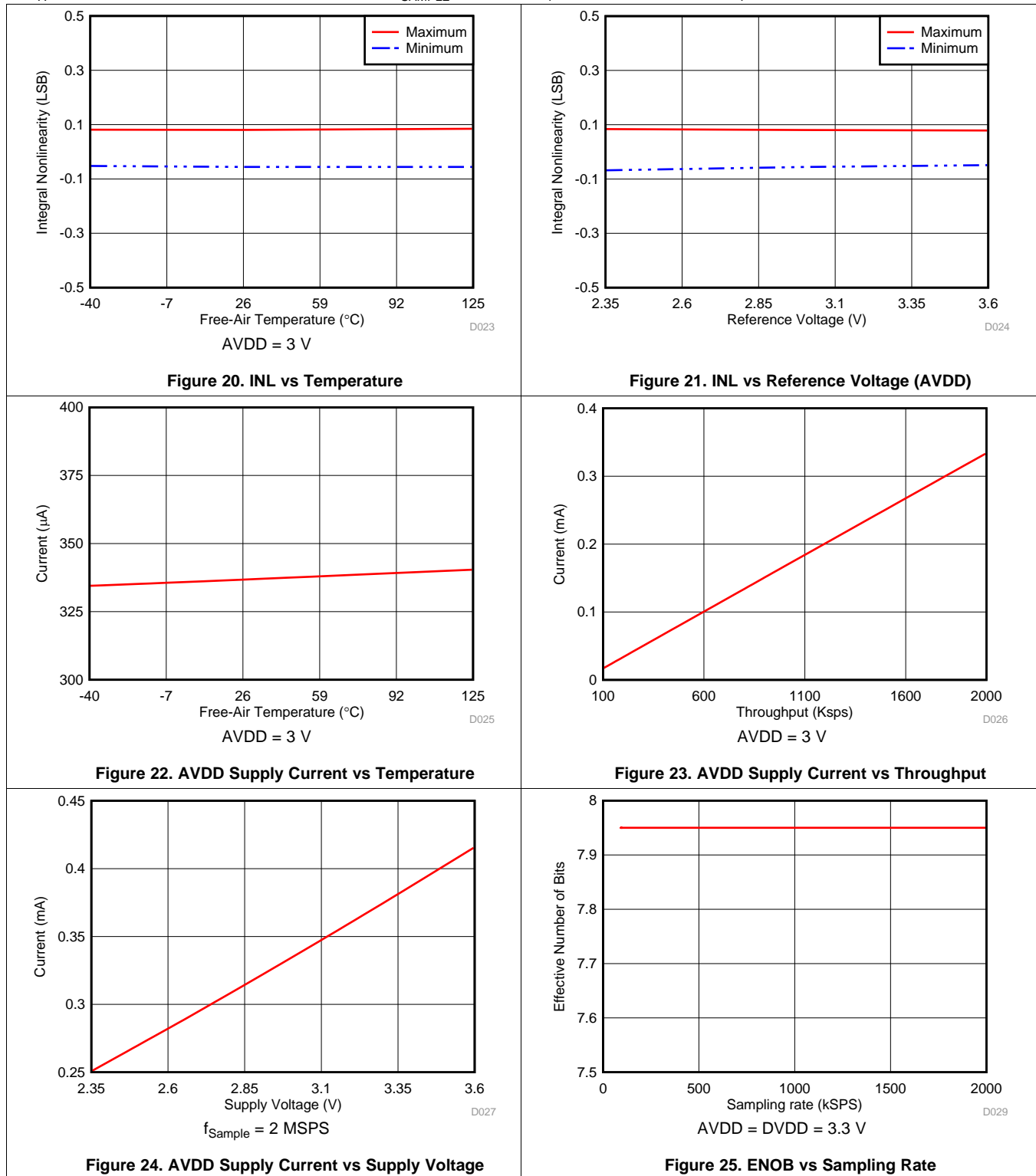


Figure 19. DNL vs Reference Voltage (AVDD)

Typical Characteristics (continued)

at  $T_A = 25^\circ\text{C}$ ,  $AVDD = 3\text{ V}$ ,  $DVDD = 1.8\text{ V}$ , and  $f_{\text{SAMPLE}} = 2\text{ MSPS}$  (unless otherwise noted)



### Typical Characteristics (continued)

at  $T_A = 25^\circ\text{C}$ ,  $AVDD = 3\text{ V}$ ,  $DVDD = 1.8\text{ V}$ , and  $f_{\text{SAMPLE}} = 2\text{ MSPS}$  (unless otherwise noted)

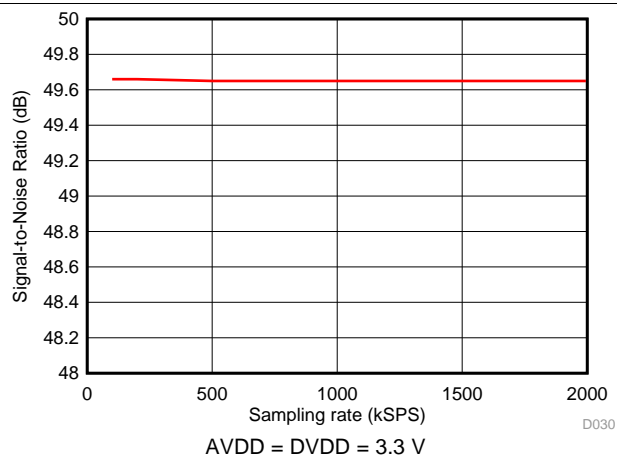


Figure 26. SNR vs Sampling Rate

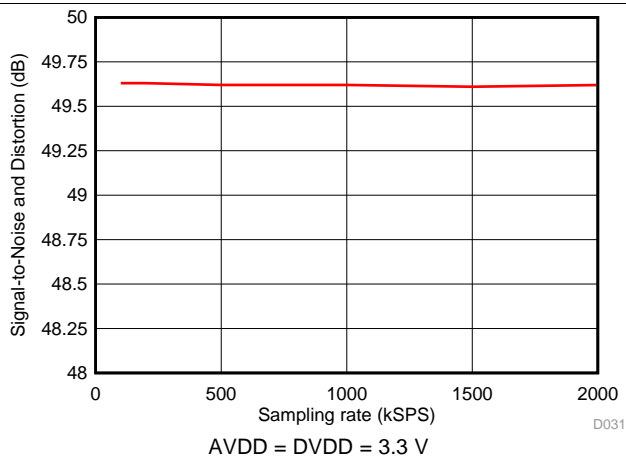


Figure 27. SINAD vs Sampling Rate

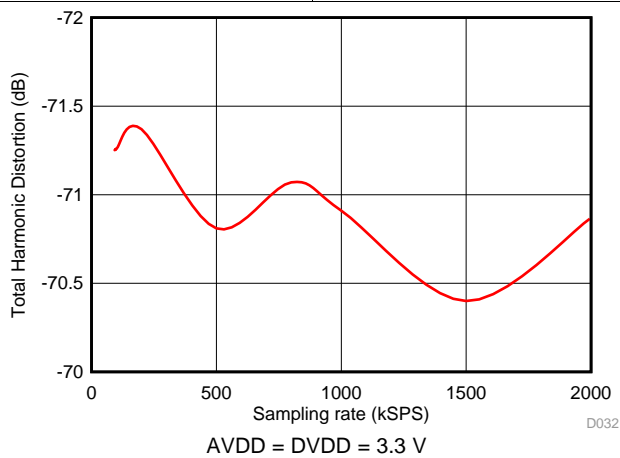
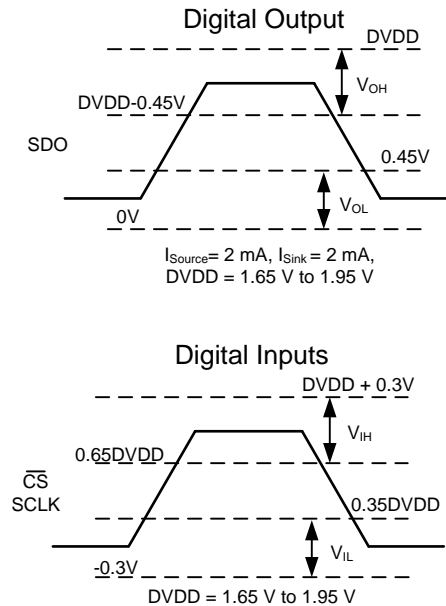


Figure 28. THD vs Sampling Rate

## 7 Parameter Measurement Information

### 7.1 Digital Voltage Levels

The device complies with the JESD8-7A standard for DVDD from 1.65 V to 1.95 V. Figure 29 shows voltage levels for the digital input and output pins.



**Figure 29. Digital Voltage Levels as per the JESD8-7A Standard**

## 8 Detailed Description

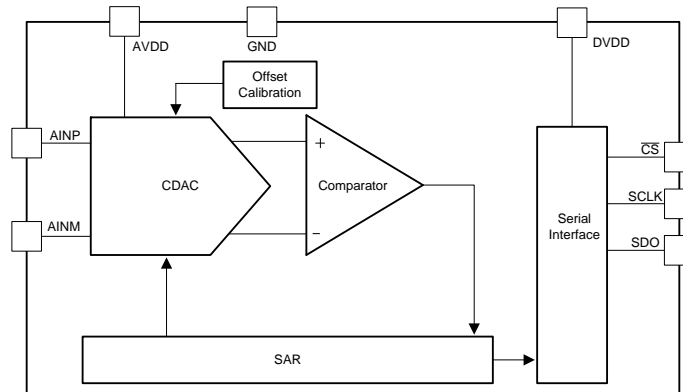
### 8.1 Overview

The ADS7029-Q1 is an ultra-low-power, miniature analog-to-digital converter (ADC) that supports a wide analog input range. The analog input range for the device is defined by the AVDD supply voltage. The device samples the input voltage across the AINP and AINM pins on the  $\overline{CS}$  falling edge and starts the conversion. The clock provided on the SCLK pin is used for conversion and data transfer. During conversions, both the AINP and AINM pins are disconnected from the sampling circuit. After the conversion completes, the sampling capacitors are reconnected across the AINP and AINM pins and the ADS7029-Q1 enters acquisition phase.

The device has an internal offset calibration. The offset calibration can be initiated by the user either on power-up or during normal operation; see the [Offset Calibration](#) section for more details.

The device also provides a simple serial interface to the host controller and operates over a wide range of digital power supplies. The ADS7029-Q1 requires only a 24-MHz SCLK for supporting a throughput of 2 MSPS. The digital interface also complies with the JESD8-7A (normal range) standard. The [Functional Block Diagram](#) section provides a block diagram of the device.

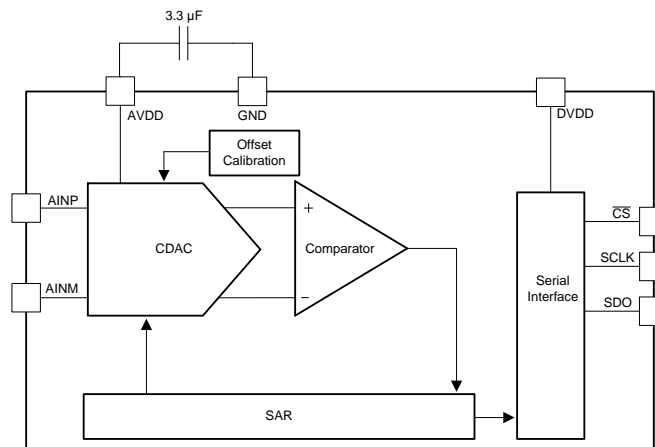
## 8.2 Functional Block Diagram



## 8.3 Feature Description

### 8.3.1 Reference

The device uses the analog supply voltage (AVDD) as a reference, as shown in [Figure 30](#). The AVDD pin is recommended to be decoupled with a 3.3- $\mu$ F, low equivalent series resistance (ESR) ceramic capacitor.. The AVDD pin functions as a switched capacitor load to the source powering AVDD. The decoupling capacitor provides the instantaneous charge required by the internal circuit and helps in maintaining a stable dc voltage on the AVDD pin. The AVDD pin is recommended to be powered with a low output impedance and low-noise regulator (such as the [TPS73230](#)).

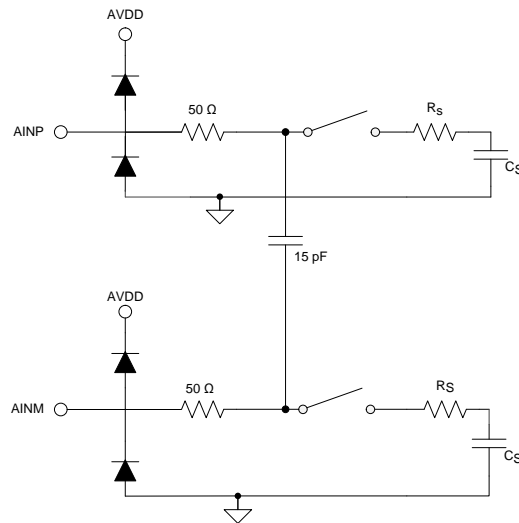


**Figure 30. Reference for the Device**

## Feature Description (continued)

### 8.3.2 Analog Input

The device supports single-ended analog inputs. The ADC samples the difference between AINP and AINM and converts for this voltage. The device is capable of accepting a signal from  $-100\text{ mV}$  to  $100\text{ mV}$  on the AINM input and is useful in systems where the sensor or signal-conditioning block is far from the ADC. In such a scenario, there can be a difference between the ground potential of the sensor or signal conditioner and the ADC ground. In such cases, use separate wires to connect the ground of the sensor or signal conditioner to the AINM pin. The AINP input is capable of accepting signals from  $0\text{ V}$  to  $\text{AVDD}$ . [Figure 31](#) represents the equivalent analog input circuits for the sampling stage. The device has a low-pass filter followed by the sampling switch and sampling capacitor. The sampling switch is represented by an  $R_S$  (typically  $50\ \Omega$ ) resistor in series with an ideal switch and  $C_S$  (typically  $15\text{ pF}$ ) is the sampling capacitor. The ESD diodes are connected from both analog inputs to  $\text{AVDD}$  and ground.



**Figure 31. Equivalent Input Circuit for the Sampling Stage**

The analog input full-scale range (FSR) is equal to the reference voltage of the ADC. The reference voltage for the device is equal to the analog supply voltage ( $\text{AVDD}$ ). Thus, the device FSR can be determined by [Equation 1](#):

$$\text{FSR} = V_{\text{REF}} = \text{AVDD} \quad (1)$$

## Feature Description (continued)

### 8.3.3 ADC Transfer Function

The device output is in straight binary format. The device resolution for a single-ended input can be computed by Equation 2:

$$1 \text{ LSB} = V_{\text{REF}} / 2^N$$

where:

- $V_{\text{REF}} = \text{AVDD}$  and
- $N = 8$

(2)

Figure 32 and Table 1 show the ideal transfer characteristics for the device.

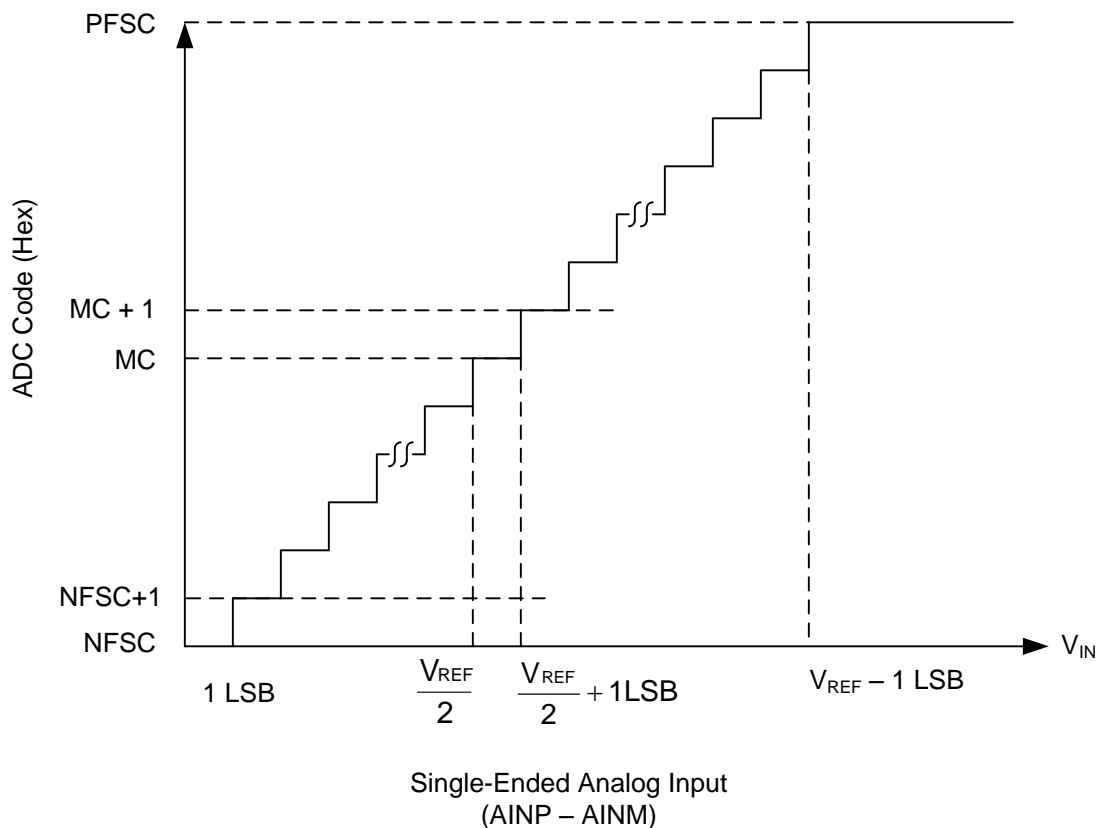


Figure 32. Ideal Transfer Characteristics

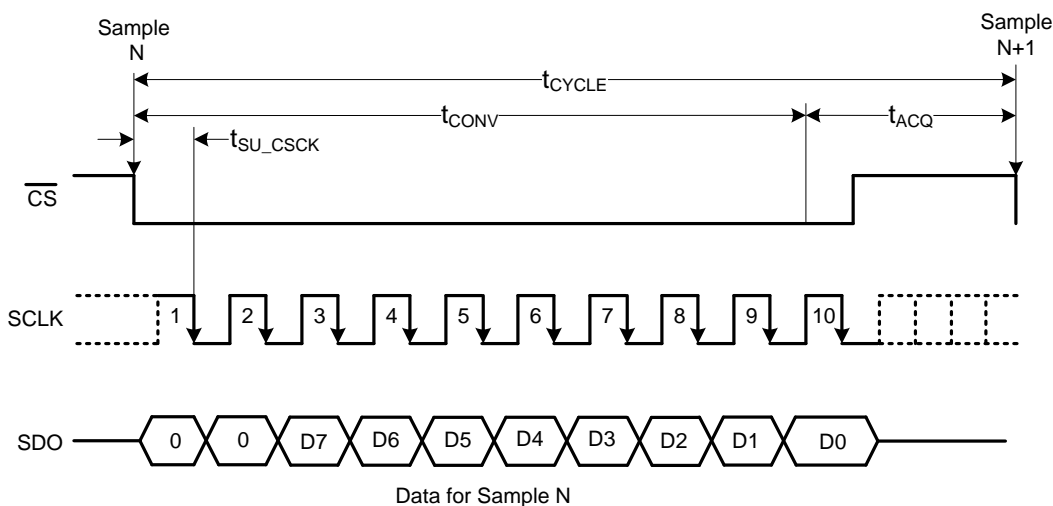
Table 1. Transfer Characteristics

| INPUT VOLTAGE (AINP - AINM)   | CODE     | DESCRIPTION              | IDEAL OUTPUT CODE (HEX) |
|---|----------|--------------------------|-------------------------|
| $\leq 1 \text{ LSB}$  | NFSC     | Negative full-scale code | 00                      |
| 1 LSB to 2 LSBs   | NFSC + 1 | —                        | 01                      |
| $(V_{\text{REF}} / 2)$ to $(V_{\text{REF}} / 2) + 1 \text{ LSB}$                  | MC       | Mid code                 | 80                      |
| $(V_{\text{REF}} / 2) + 1 \text{ LSB}$ to $(V_{\text{REF}} / 2) + 2 \text{ LSBs}$ | MC + 1   | —                        | 81                      |
| $\geq V_{\text{REF}} - 1 \text{ LSB}$   | PFSC     | Positive full-scale code | FF                      |

### 8.3.4 Serial Interface

The device supports a simple, SPI-compatible interface to the external host. The  $\overline{CS}$  signal defines one conversion and serial transfer frame. A frame starts with a  $\overline{CS}$  falling edge and ends with a  $\overline{CS}$  rising edge. The SDO pin outputs the ADC conversion results. Figure 33 shows a detailed timing diagram for the serial interface. A minimum delay of  $t_{SU\_CSCK}$  must elapse between the  $\overline{CS}$  falling edge and the first SCLK falling edge. The device uses the clock provided on the SCLK pin for conversion and data transfer. The conversion result is available on the SDO pin with the first two bits set to 0, followed by 12 bits of the conversion result. The first zero is launched on the SDO pin on the  $\overline{CS}$  falling edge. Subsequent bits (starting with another 0 followed by the conversion result) are launched on the SDO pin on subsequent SCLK falling edges. The SDO output remains low after 14 SCLKs. A  $\overline{CS}$  rising edge ends the frame and brings the serial data bus to tri-state. For acquisition of the next sample, a minimum time of  $t_{ACQ}$  must be provided after the conversion of the current sample is completed. For details on timing specifications, see the [Timing Requirements](#) table.

The device initiates an offset calibration on the first  $\overline{CS}$  falling edge after power-up and the SDO output remains low during the first serial transfer frame after power-up. For further details, see the [Offset Calibration](#) section.



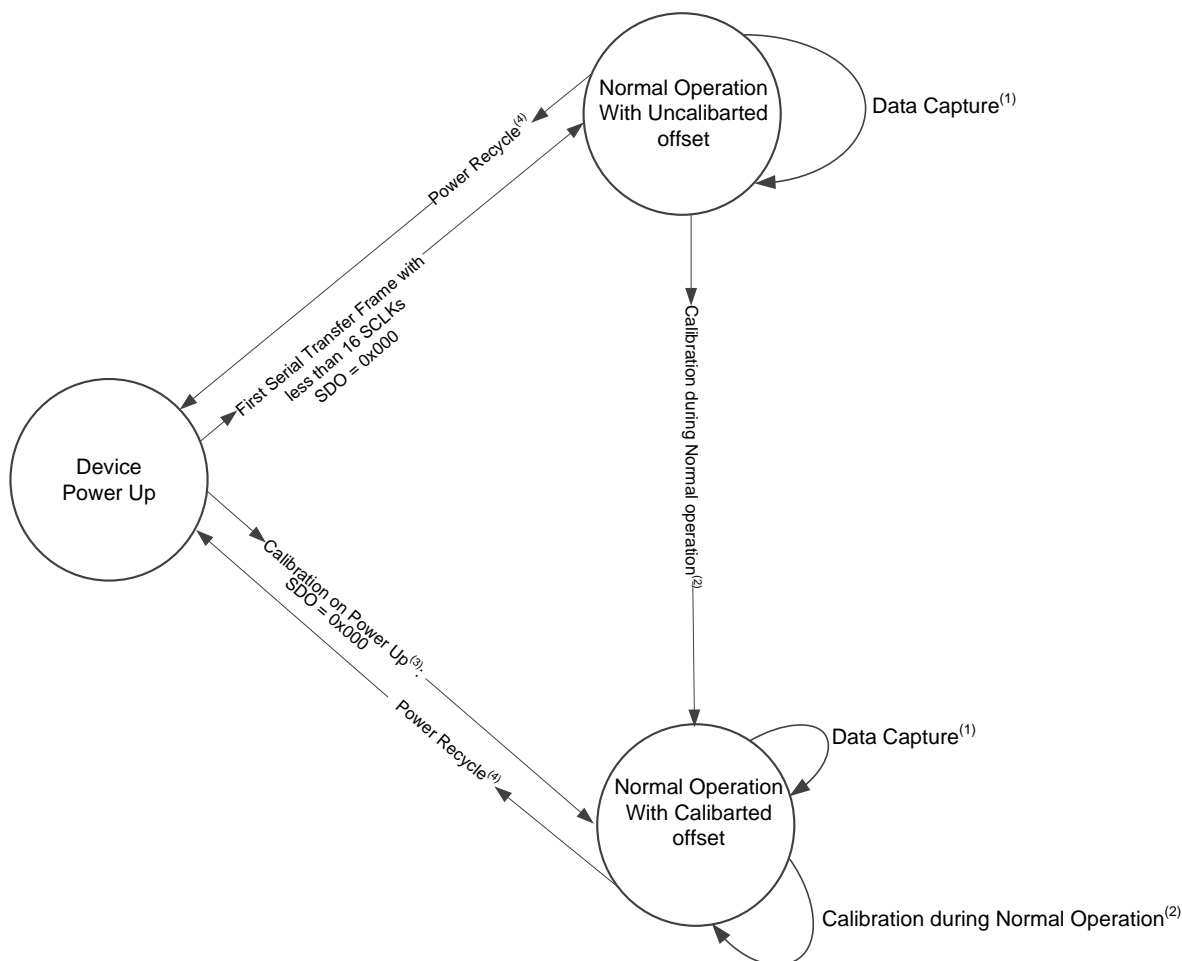
**Figure 33. Serial Interface Timing Diagram**



## 8.4 Device Functional Modes

### 8.4.1 Offset Calibration

The ADS7029-Q1 includes a feature to calibrate the device internal offset. During offset calibration, the analog input pins (AINP and AINM) are disconnected from the sampling stage. The device includes an internal offset calibration register (OCR) that stores the offset calibration result. The OCR is an internal register and cannot be accessed by the user through the serial interface. The OCR is reset to zero on power-up. Therefore, it is recommended to calibrate the offset on power-up in order to bring the offset error within the specified limits. If the operating temperature or analog supply voltage reflect a significant change, the offset can be recalibrated during normal operation. Figure 34 shows the offset calibration process.



- (1) See the [Timing Requirements](#) section for timing specifications.
- (2) See the [Offset Calibration During Normal Operation](#) section for details.
- (3) See the [Offset Calibration on Power-Up](#) section for details.
- (4) The power recycle on the AVDD supply is required to reset the offset calibration and to bring the device to a power-up state.

**Figure 34. Offset Calibration**

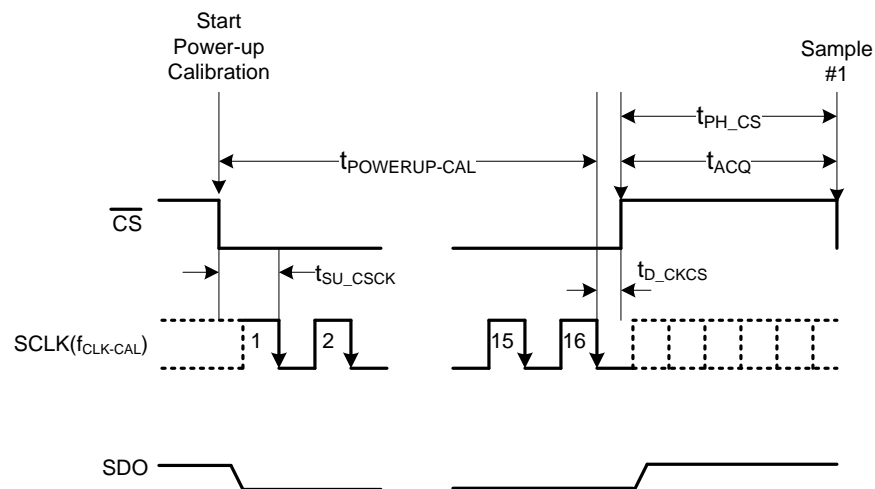
**Device Functional Modes (continued)**
**8.4.1.1 Offset Calibration on Power-Up**

The device initiates offset calibration on the first  $\overline{CS}$  falling edge after power-up and calibration completes if the  $\overline{CS}$  pin remains low for at least 16 SCLK falling edges after the first  $\overline{CS}$  falling edge. The SDO output remains low during calibration. The minimum acquisition time must be provided after calibration for acquiring the first sample. If the device is not provided with at least 16 SCLKs during the first serial transfer frame after power-up, the OCR is not updated. Table 2 provides the timing parameters for offset calibration on power-up.

For subsequent samples, the device adjusts the conversion results with the value stored in the OCR. The conversion result adjusted with the value stored in OCR is provided by the device on the SDO output. Figure 35 shows the timing diagram for offset calibration on power-up.

**Table 2. Offset Calibration on Power-Up**

|                   |   | MIN                  | TYP | MAX | UNIT |
|-------------------|---|----------------------|-----|-----|------|
| $f_{CLK-CAL}$     | SCLK frequency for calibration                          |                      |     | 12  | MHz  |
| $t_{POWERUP-CAL}$ | Calibration time at power-up                            | $15 \times t_{SCLK}$ |     |     | ns   |
| $t_{ACQ}$         | Acquisition time  | 120                  |     |     | ns   |
| $t_{PH-CS}$       | $\overline{CS}$ high time                               | $t_{ACQ}$            |     |     | ns   |
| $t_{SU-CSCK}$     | Setup time: $\overline{CS}$ falling to SCLK falling     | 12                   |     |     | ns   |
| $t_{D-CKCS}$      | Delay time: last SCLK falling to $\overline{CS}$ rising | 10                   |     |     | ns   |


**Figure 35. Offset Calibration on Power-Up Timing Diagram**

### 8.4.1.2 Offset Calibration During Normal Operation

Offset calibration can be done during normal device operation if at least 32 SCLK falling edges are provided in one serial transfer frame. During the first 10 SCLKs, the device converts the sample acquired on the CS falling edge and provides data on the SDO output. The device initiates the offset calibration on the 17th SCLK falling edge and calibration completes on the 32nd SCLK falling edge. The SDO output remains low after the 10th SCLK falling edge and SDO goes to tri-state after CS goes high. If the device is provided with less than 32 SCLKs during a serial transfer frame, the OCR is not updated. Table 3 provides the timing parameters for offset calibration during normal operation.

For subsequent samples, the device adjusts the conversion results with the value stored in the OCR. The conversion result adjusted with the value stored in the OCR is provided by the device on the SDO output. Figure 36 shows the timing diagram for offset calibration during normal operation.

Table 3. Offset Calibration During Normal Operation

|                |   | MIN                  | TYP | MAX | UNIT |
|----------------|---|----------------------|-----|-----|------|
| $f_{CLK-CAL}$  | SCLK frequency for calibration                          |                      |     | 12  | MHz  |
| $t_{CAL}$      | Calibration time during normal operation                | $15 \times t_{SCLK}$ |     |     | ns   |
| $t_{ACQ}$      | Acquisition time  | 120                  |     |     | ns   |
| $t_{PH\_CS}$   | $\overline{CS}$ high time                               | $t_{ACQ}$            |     |     | ns   |
| $t_{SU\_CSCK}$ | Setup time: $\overline{CS}$ falling to SCLK falling     | 12                   |     |     | ns   |
| $t_{D\_CKCS}$  | Delay time: last SCLK falling to $\overline{CS}$ rising | 10                   |     |     | ns   |

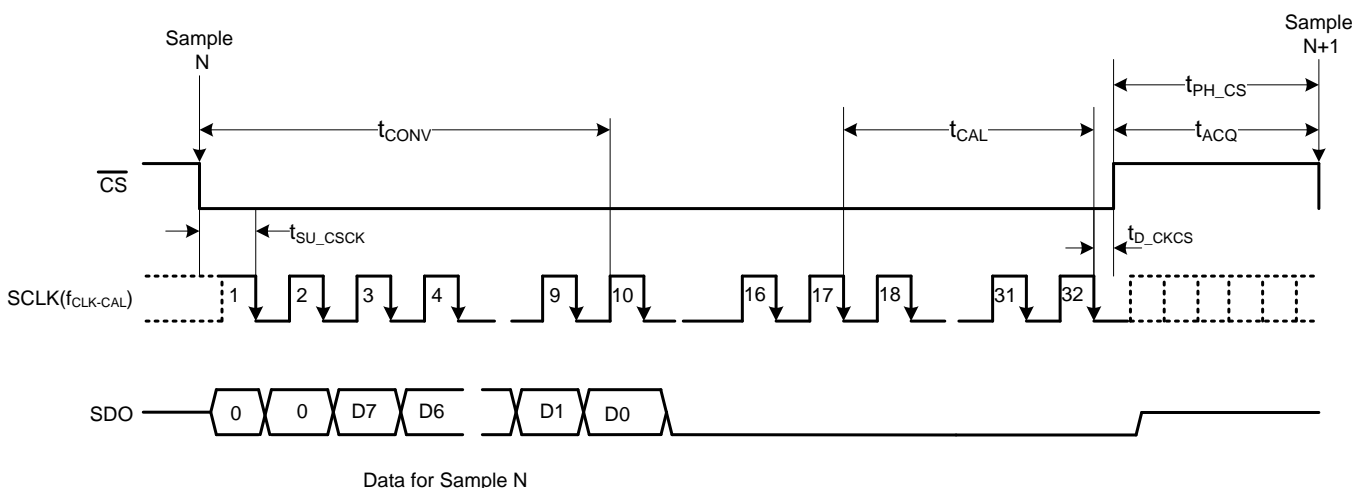


Figure 36. Offset Calibration During Normal Operation Timing Diagram

## 9 Application and Implementation

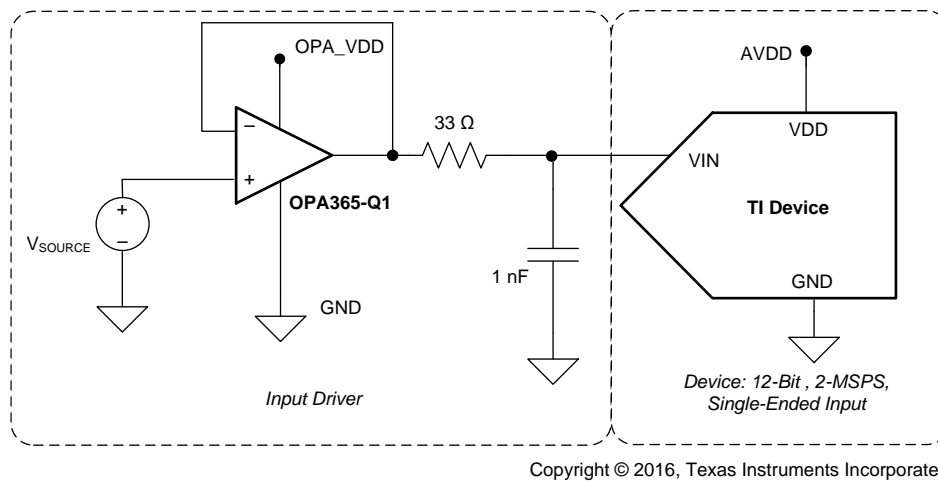
### NOTE

Information in the following applications sections is not part of the TI component specification, and TI does not warrant its accuracy or completeness. TI's customers are responsible for determining suitability of components for their purposes. Customers should validate and test their design implementation to confirm system functionality.

### 9.1 Application Information

The two primary circuits required to maximize the performance of a SAR ADC are the input driver and the reference driver circuits. This section details some general principles for designing the input driver circuit, reference driver circuit, and provides some application circuits designed for the ADS7029-Q1.

### 9.2 Typical Application



**Figure 37. Single-Supply DAQ with the ADS7029-Q1**

#### 9.2.1 Design Requirements

The goal of this application is to design a single-supply digital acquisition (DAQ) circuit based on the ADS7029-Q1 with SNR greater than 49 dB and THD less than  $-70$  dB for input frequencies of 2 kHz at a throughput of 2 MSPS.

#### 9.2.2 Detailed Design Procedure

The input driver circuit for a high-precision ADC mainly consists of two parts: a driving amplifier and a charge kickback filter. Careful design of the front-end circuit is critical to meet the linearity and noise performance of a high-precision ADC.

## Typical Application (continued)

### 9.2.2.1 Low Distortion Charge Kickback Filter Design

Figure 38 shows the input circuit of a typical SAR ADC. During the acquisition phase, the SW switch closes and connects the sampling capacitor ( $C_{SH}$ ) to the input driver circuit. This action introduces a transient on the input pins of the SAR ADC. An ideal amplifier with  $0\ \Omega$  of output impedance and infinite current drive can settle this transient in zero time. For a real amplifier with non-zero output impedance and finite drive strength, this switched capacitor load can create stability issues.

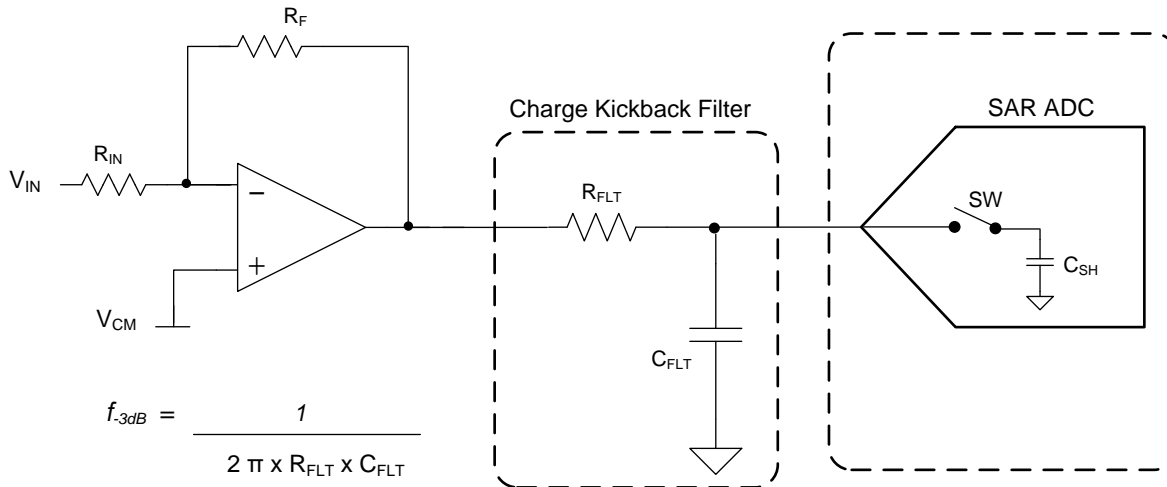


Figure 38. Charge Kickback Filter

For ac signals, the filter bandwidth must be kept low to band limit the noise fed into the ADC input, thereby increasing the SNR of the system. Besides filtering the noise from the front-end drive circuitry, the RC filter also helps attenuate the sampling charge injection from the switched-capacitor input stage of the ADC. A filter capacitor,  $C_{FLT}$ , is connected across the ADC inputs. This capacitor helps reduce the sampling charge injection and provides a charge bucket to quickly charge the internal sample-and-hold capacitors during the acquisition process. As a rule of thumb, the value of this capacitor is at least 20 times the specified value of the ADC sampling capacitance. For this device, the input sampling capacitance is equal to 15 pF. Thus, the value of  $C_{FLT}$  is greater than 300 pF. Select a COG- or NPO-type capacitor because these capacitor types have a high-Q, low-temperature coefficient, and stable electrical characteristics under varying voltages, frequency, and time.

Note that driving capacitive loads can degrade the phase margin of the input amplifiers, thus making the amplifier marginally unstable. To avoid amplifier stability issues, series isolation resistors ( $R_{FLT}$ ) are used at the output of the amplifiers. A higher value of  $R_{FLT}$  is helpful from the amplifier stability perspective, but adds distortion as a result of interactions with the nonlinear input impedance of the ADC. Distortion increases with source impedance, input signal frequency, and input signal amplitude. Therefore, the selection of  $R_{FLT}$  requires balancing the stability and distortion of the design.

The input amplifier bandwidth is typically much higher than the cutoff frequency of the antialiasing filter. Thus, a SPICE simulation is strongly recommended to be performed to confirm that the amplifier has more than  $40^\circ$  phase margin with the selected filter. Simulation is critical because even with high-bandwidth amplifiers, some amplifiers can require more bandwidth than others to drive similar filters.

## Typical Application (continued)

### 9.2.2.2 Input Amplifier Selection

To achieve a SINAD greater than 49 dB, the operational amplifier must have high bandwidth in order to settle the input signal within the acquisition time of the ADC. The operational amplifier must have low noise to keep the total system noise below 20% of the input-referred noise of the ADC. For the application circuit illustrated in [Figure 37](#), the [OPA365-Q1](#) is selected for its high bandwidth (50 MHz) and low noise (4.5 nV/√Hz).

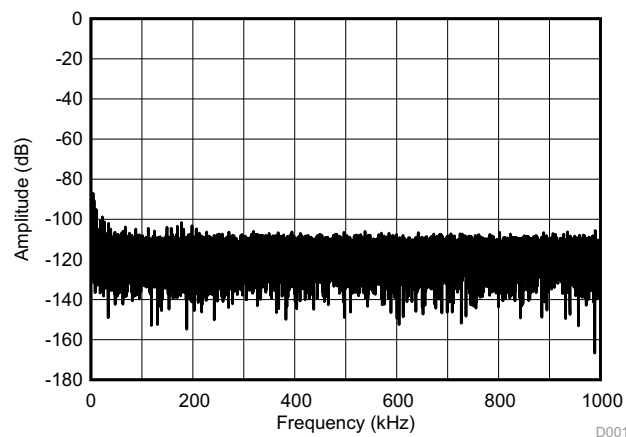
For a step-by-step design procedure for a low-power, small form-factor digital acquisition (DAQ) circuit based on similar SAR ADCs, see the [Three 12-Bit Data Acquisition Reference Designs Optimized for Low Power and Ultra-Small Form Factor](#) TI Precision Design.

### 9.2.2.3 Reference Circuit

The analog supply voltage of the device is also used as a voltage reference for conversion. The AVDD pin is recommended to be decoupled with a 3.3-μF, low-ESR ceramic capacitor.

### 9.2.3 Application Curve

[Figure 39](#) shows the FFT plot for the ADS7029-Q1 with a 2-kHz input frequency used for the circuit in [Figure 37](#).



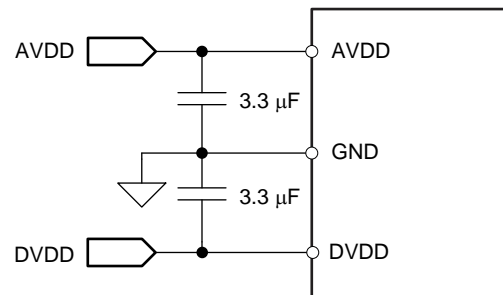
SNR = 70.6 dB, THD = -86 dB, SINAD = 70.2 dB, number of samples = 32768

**Figure 39. Test Results for the ADS7029-Q1 and OPA365-Q1 for a 2-kHz Input**

## 10 Power Supply Recommendations

### 10.1 AVDD and DVDD Supply Recommendations

The ADS7029-Q1 has two separate power supplies: AVDD and DVDD. The device operates on AVDD; DVDD is used for the interface circuits. AVDD and DVDD can be independently set to any value within the permissible ranges. The AVDD supply also defines the full-scale input range of the device. Always set the AVDD supply to be greater than or equal to the maximum input signal to avoid saturation of codes. Decouple the AVDD and DVDD pins individually with 3.3- $\mu$ F ceramic decoupling capacitors, as shown in [Figure 40](#).



**Figure 40. Power-Supply Decoupling**

### 10.2 Estimating Digital Power Consumption

The current consumption from the DVDD supply depends on the DVDD voltage, load capacitance on the SDO line, and the output code. The load capacitance on the SDO line is charged by the current from the SDO pin on every rising edge of the data output and is discharged on every falling edge of the data output. The current consumed by the device from the DVDD supply can be calculated by [Equation 3](#):

$$I_{DVDD} = C \times V \times f$$

where:

- C = Load capacitance on the SDO line
- V = DVDD supply voltage and
- f = Number of transitions on the SDO output (3)

The number of transitions on the SDO output depends on the output code, and thus changes with the analog input. The maximum value of f occurs when data output on SDO change at every SCLK. SDO data changing at every SCLK results in an output code of AAh or 55h. For an output code of AAh or 55h at a 2-MSPS throughput, the frequency of transitions on the SDO output is 8 MHz.

For the current consumption to remain at the lowest possible value, keep the DVDD supply at the lowest permissible value and keep the capacitance on the SDO line as low as possible.

### 10.3 Optimizing Power Consumed by the Device

- Keep the analog supply voltage (AVDD) as close as possible to the analog input voltage. Set AVDD to be greater than or equal to the analog input voltage of the device.
- Keep the digital supply voltage (DVDD) at the lowest permissible value.
- Reduce the load capacitance on the SDO output.
- Run the device at the optimum throughput. Power consumption reduces with throughput.

## 11 Layout

### 11.1 Layout Guidelines

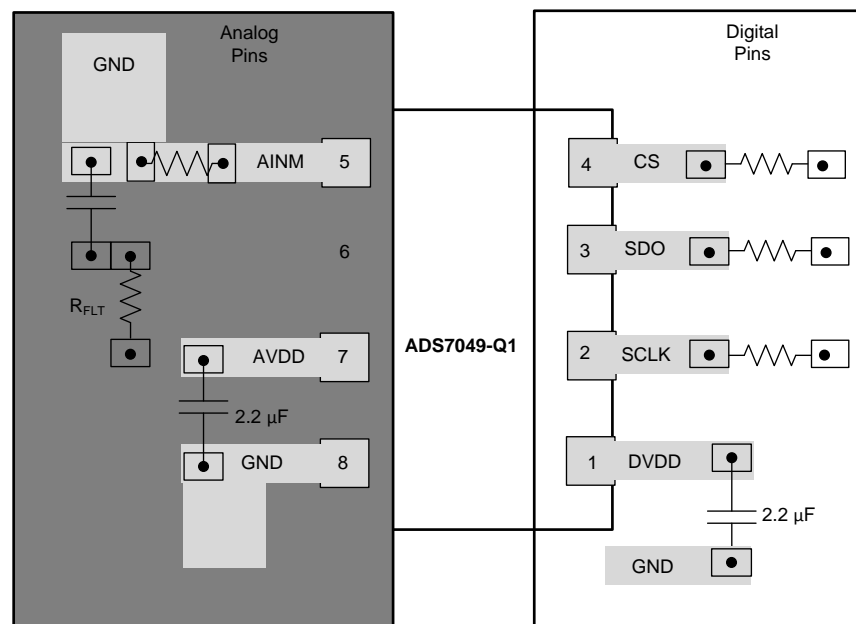
Figure 41 shows a board layout example for the ADS7029-Q1.

Some of the key considerations for an optimum layout with this device are:

- Use a ground plane underneath the device and partition the printed circuit board (PCB) into analog and digital sections.
- Avoid crossing digital lines with the analog signal path and keep the analog input signals and the reference input signals away from noise sources.
- The power sources to the device must be clean and well-bypassed. Use 2.2- $\mu\text{F}$  ceramic bypass capacitors in close proximity to the analog (AVDD) and digital (DVDD) power-supply pins.
- Avoid placing vias between the AVDD and DVDD pins and the bypass capacitors.
- Connect ground pins to the ground plane using short, low-impedance path.
- Place the fly-wheel RC filters components close to the device.

Among ceramic surface-mount capacitors, COG (NPO) ceramic capacitors provide the best capacitance precision. The type of dielectric used in COG (NPO) ceramic capacitors provides the most stable electrical properties over voltage, frequency, and temperature changes.

### 11.2 Layout Example



Copyright © 2016, Texas Instruments Incorporated

**Figure 41. Example Layout**



## 12 器件和文档支持

### 12.1 文档支持

#### 12.1.1 相关文档

相关文档如下：

- 《[TPS732xx 具有反向电流保护功能的无电容 NMOS、250mA 低压降稳压器](#)》
- 《[专为低功耗和超小型特性进行优化的三项 12 位数据采集参考设计](#)》 TI 高精度设计
- [OPAx314 3MHz、低功耗、低噪声、RRIO、1.8V CMOS 运算放大器](#)
- 《[OPAx365-Q1 50MHz 低失真、高 CMRR、轨到轨 I/O 单电源运算放大器](#)》

### 12.2 接收文档更新通知

如需接收文档更新通知，请访问 [www.ti.com.cn](http://www.ti.com.cn) 网站上的器件产品文件夹。点击右上角的提醒我 (Alert me) 注册后，即可每周定期收到已更改的产品信息。有关更改的详细信息，请查阅已修订文档中包含的修订历史记录。

### 12.3 社区资源

The following links connect to TI community resources. Linked contents are provided "AS IS" by the respective contributors. They do not constitute TI specifications and do not necessarily reflect TI's views; see TI's [Terms of Use](#).

**TI E2E™ Online Community** *TI's Engineer-to-Engineer (E2E) Community*. Created to foster collaboration among engineers. At [e2e.ti.com](http://e2e.ti.com), you can ask questions, share knowledge, explore ideas and help solve problems with fellow engineers.

**Design Support** *TI's Design Support* Quickly find helpful E2E forums along with design support tools and contact information for technical support.

### 12.4 商标

E2E is a trademark of Texas Instruments.

All other trademarks are the property of their respective owners.

### 12.5 静电放电警告



ESD 可能会损坏该集成电路。德州仪器 (TI) 建议通过适当的预防措施处理所有集成电路。如果不遵守正确的处理措施和安装程序，可能会损坏集成电路。

ESD 的损坏小至导致微小的性能降级，大至整个器件故障。精密的集成电路可能更容易受到损坏，这是因为非常细微的参数更改都可能会导致器件与其发布的规格不相符。

### 12.6 Glossary

[SLYZ022](#) — *TI Glossary*.

This glossary lists and explains terms, acronyms, and definitions.

## 13 机械、封装和可订购信息

以下页中包括机械、封装和可订购信息。这些信息是针对指定器件可提供的最新数据。这些数据会在无通知且不对本文档进行修订的情况下发生改变。欲获得该数据表的浏览器版本，请查阅左侧的导航栏。

**PACKAGING INFORMATION**

| Orderable Device | Status<br>(1) | Package Type | Package Drawing | Pins | Package Qty | Eco Plan<br>(2) | Lead finish/<br>Ball material<br>(6) | MSL Peak Temp<br>(3) | Op Temp (°C) | Device Marking<br>(4/5) | Samples |
|------------------|---------------|--------------|-----------------|------|-------------|-----------------|--------------------------------------|----------------------|--------------|-------------------------|---------|
| ADS7029QDCURQ1   | ACTIVE        | VSSOP        | DCU             | 8    | 3000        | RoHS & Green    | NIPDAU                               | Level-2-260C-1 YEAR  | -40 to 125   | 17TT                    | Samples |

(1) The marketing status values are defined as follows:

**ACTIVE:** Product device recommended for new designs.

**LIFEBUY:** TI has announced that the device will be discontinued, and a lifetime-buy period is in effect.

**NRND:** Not recommended for new designs. Device is in production to support existing customers, but TI does not recommend using this part in a new design.

**PREVIEW:** Device has been announced but is not in production. Samples may or may not be available.

**OBSOLETE:** TI has discontinued the production of the device.

(2) **RoHS:** TI defines "RoHS" to mean semiconductor products that are compliant with the current EU RoHS requirements for all 10 RoHS substances, including the requirement that RoHS substance do not exceed 0.1% by weight in homogeneous materials. Where designed to be soldered at high temperatures, "RoHS" products are suitable for use in specified lead-free processes. TI may reference these types of products as "Pb-Free".

**RoHS Exempt:** TI defines "RoHS Exempt" to mean products that contain lead but are compliant with EU RoHS pursuant to a specific EU RoHS exemption.

**Green:** TI defines "Green" to mean the content of Chlorine (Cl) and Bromine (Br) based flame retardants meet JS709B low halogen requirements of <=1000ppm threshold. Antimony trioxide based flame retardants must also meet the <=1000ppm threshold requirement.

(3) MSL, Peak Temp. - The Moisture Sensitivity Level rating according to the JEDEC industry standard classifications, and peak solder temperature.

(4) There may be additional marking, which relates to the logo, the lot trace code information, or the environmental category on the device.

(5) Multiple Device Markings will be inside parentheses. Only one Device Marking contained in parentheses and separated by a "-" will appear on a device. If a line is indented then it is a continuation of the previous line and the two combined represent the entire Device Marking for that device.

(6) Lead finish/Ball material - Orderable Devices may have multiple material finish options. Finish options are separated by a vertical ruled line. Lead finish/Ball material values may wrap to two lines if the finish value exceeds the maximum column width.

**Important Information and Disclaimer:**The information provided on this page represents TI's knowledge and belief as of the date that it is provided. TI bases its knowledge and belief on information provided by third parties, and makes no representation or warranty as to the accuracy of such information. Efforts are underway to better integrate information from third parties. TI has taken and continues to take reasonable steps to provide representative and accurate information but may not have conducted destructive testing or chemical analysis on incoming materials and chemicals. TI and TI suppliers consider certain information to be proprietary, and thus CAS numbers and other limited information may not be available for release.

In no event shall TI's liability arising out of such information exceed the total purchase price of the TI part(s) at issue in this document sold by TI to Customer on an annual basis.



4225266/A 09/2014

NOTES:

1. All linear dimensions are in millimeters. Any dimensions in parenthesis are for reference only. Dimensioning and tolerancing per ASME Y14.5M.
2. This drawing is subject to change without notice.
3. This dimension does not include mold flash, protrusions, or gate burrs. Mold flash, protrusions, or gate burrs shall not exceed 0.15 mm per side.
4. Reference JEDEC registration MO-187 variation CA.

# EXAMPLE BOARD LAYOUT

DCU0008A

VSSOP - 0.9 mm max height

SMALL OUTLINE PACKAGE



LAND PATTERN EXAMPLE  
EXPOSED METAL SHOWN  
SCALE: 25X



4225266/A 09/2014

NOTES: (continued)

- 5. Publication IPC-7351 may have alternate designs.
- 6. Solder mask tolerances between and around signal pads can vary based on board fabrication site.

# EXAMPLE STENCIL DESIGN

DCU0008A

VSSOP - 0.9 mm max height

SMALL OUTLINE PACKAGE



SOLDER PASTE EXAMPLE  
BASED ON 0.125 mm THICK STENCIL  
SCALE: 25X

4225266/A 09/2014

NOTES: (continued)

7. Laser cutting apertures with trapezoidal walls and rounded corners may offer better paste release. IPC-7525 may have alternate design recommendations.
8. Board assembly site may have different recommendations for stencil design.

## 重要声明和免责声明

TI“按原样”提供技术和可靠性数据（包括数据表）、设计资源（包括参考设计）、应用或其他设计建议、网络工具、安全信息和其他资源，不保证没有瑕疵且不做任何明示或暗示的担保，包括但不限于对适销性、某特定用途方面的适用性或不侵犯任何第三方知识产权的暗示担保。

这些资源可供使用 TI 产品进行设计的熟练开发人员使用。您将自行承担以下全部责任：(1) 针对您的应用选择合适的 TI 产品，(2) 设计、验证并测试您的应用，(3) 确保您的应用满足相应标准以及任何其他功能安全、信息安全、监管或其他要求。

这些资源如有变更，恕不另行通知。TI 授权您仅可将这些资源用于研发本资源所述的 TI 产品的应用。严禁对这些资源进行其他复制或展示。您无权使用任何其他 TI 知识产权或任何第三方知识产权。您应全额赔偿因在这些资源的使用中对 TI 及其代表造成的任何索赔、损害、成本、损失和债务，TI 对此概不负责。

TI 提供的产品受 [TI 的销售条款](#) 或 [ti.com](#) 上其他适用条款/TI 产品随附的其他适用条款的约束。TI 提供这些资源并不会扩展或以其他方式更改 TI 针对 TI 产品发布的适用的担保或担保免责声明。

TI 反对并拒绝您可能提出的任何其他或不同的条款。

邮寄地址：Texas Instruments, Post Office Box 655303, Dallas, Texas 75265

Copyright © 2023，德州仪器 (TI) 公司

## X-ON Electronics

Largest Supplier of Electrical and Electronic Components

*Click to view similar products for [Analog to Digital Converters - ADC category](#):*

*Click to view products by [Texas Instruments](#) manufacturer:*

Other Similar products are found below :

[MCP37211-200I/TE](#) [AD9235BCPZRL7-40](#) [HT7316ARQZ](#) [ADS1100A3IDBVR](#) [HI1175JCB](#) [HI3-574AJN-5](#) [HI5714/4CB](#) [HI5746KCA](#)  
[HI5766KCAZ](#) [HI5766KCBZ](#) [ISOSD61TR](#) [ES7201](#) [AD7266BSUZ-REEL](#) [AD7708BRZ-REEL7](#) [CLM2543IDW](#) [CLM2543CDW](#)  
[MCP3004T-I/SL](#) [ADS7853IPWR](#) [GP9301BXI-F10K-D1V10-SH](#) [GP9301BXI-F10K-N-SH](#) [GP9101-F50-C1H1-SW](#) [GP9301BXI-F5K-N-SW](#)  
[GP9101-F10K-N-SW](#) [GP9301BXI-F4K-D1V10-SH](#) [GP9301BXI-F1K-L5H2-SH](#) [LTC2484IDD#TRPBF](#) [AD9245BCPZRL7-20](#) [SSP1120](#)  
[ADS8332IBRGER](#) [ADS8168IRHBR](#) [HT7705ARWZ](#) [ADS9224RIRHBR](#) [ADC101S051CIMF](#) [AD7779ACPZ-RL](#) [AD7714YRUZ-REEL](#)  
[LTC2447IUHF#PBF](#) [AD9235BRUZRL7-20](#) [AD7888ARUZ-REEL](#) [AD7606BBSTZ-RL](#) [AD7998BRUZ-1REEL](#) [AD7276ARMZ-REEL](#)  
[AD7712ARZ-REEL](#) [AD7997BRUZ-1REEL](#) [LTC2348ILX-16#PBF](#) [AD2S1210BSTZ-RL7](#) [AD7711ARZ-REEL7](#) [AD7865ASZ-1REEL](#)  
[AD7923BRUZ-REEL](#) [AD7495ARZ-REEL7](#) [AD9629BCPZRL7-40](#)