

## ADS7056超低功耗、超小尺寸 14 位高速 SAR ADC

### 1 特性

- 2.5MSPS 吞吐量
- 超小尺寸 SAR ADC:
  - 2.25mm<sup>2</sup> 尺寸的 X2QFN-8 封装
- 宽工作电压范围:
  - AVDD: 2.35V 至 3.6V
  - DVDD: 1.65V 至 3.6V (与 AVDD 无关)
  - 温度范围: -40°C 至 +125°C
- 单极输入范围: 0V 至 AVDD
- 出色的性能:
  - 14 位 NMC DNL, ±2 LSB INL
  - 74.5dB SINAD (2kHz)
  - 73.7dB SINAD (1MHz)
- 超低功耗:
  - 2.5MSPS 下为 3.5mW (3.3V AVDD)
  - 100kSPS 下为 158μW (3.3V AVDD)
- 集成偏移校准
- 与 SPI 兼容的串行接口: 60MHz
- 符合 JESD8-7A 标准的数字 I/O

### 2 应用

- 声纳接收器
- 光线路卡和模块
- 热成像
- 超声波流量计
- 电机控制
- 手持无线电
- 环境传感
- 烟火检测

### 3 说明

ADS7056 是一款 14 位 2.5MSPS 模数转换器 (ADC)。该器件包含一个基于电容器的逐次逼近型寄存器 (SAR) ADC, 该 ADC 支持宽模拟输入电压范围 (对于 AVDD 为 0V, 对于 AVDD 范围为 2.35V 至 3.6V)。

串行外设接口 (SPI) 兼容串口由  $\overline{CS}$  和 SCLK 信号控制。输入信号在  $\overline{CS}$  下降沿进行采样, SCLK 用于转换和串行数据输出。该器件支持宽数字电源范围 (1.65V 至 3.6V), 可直接连接到各种主机控制器。ADS7056 的标称 DVDD 范围 (1.65V 至 1.95V) 符合 JESD8-7A 标准。

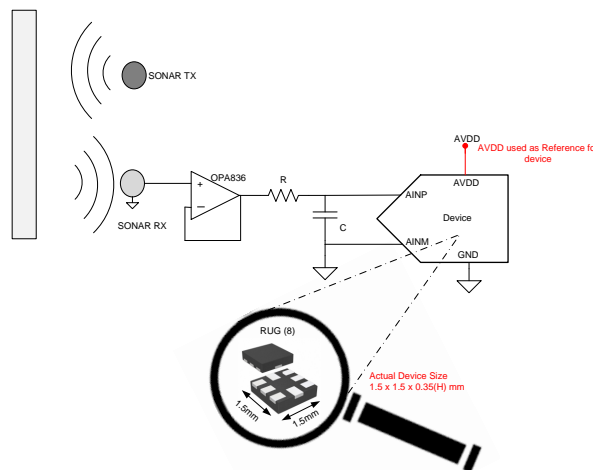
ADS7056 采用 8 引脚微型 X2QFN 封装, 可以在扩展的工业温度范围 (-40°C 至 +125°C) 内正常工作。该器件尺寸微小且功耗极低, 非常适合空间受限类电池供电的应用。

#### 器件信息<sup>(1)</sup>

部件名称	封装	封装尺寸 (标称值)
ADS7056	X2QFN (8)	1.50mm x 1.50mm

(1) 如需了解所有可用封装, 请参阅数据表末尾的可订购产品附录。

#### 典型应用



NOTE: ADS7056 比 0805 (2012 公制) SMD 组件小。



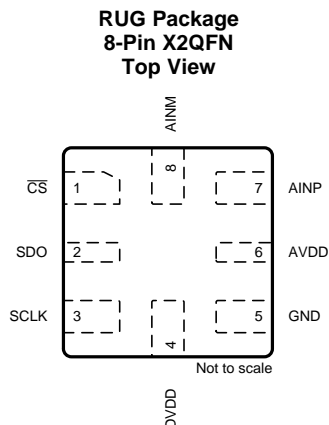
## 目录

<b>1</b>	特性 .....	<b>1</b>	8.3	Feature Description.....	<b>16</b>
<b>2</b>	应用 .....	<b>1</b>	8.4	Device Functional Modes.....	<b>19</b>
<b>3</b>	说明 .....	<b>1</b>	<b>9</b>	<b>Application and Implementation .....</b>	<b>23</b>
<b>4</b>	修订历史记录 .....	<b>2</b>	9.1	Application Information.....	<b>23</b>
<b>5</b>	<b>Pin Configuration and Functions .....</b>	<b>3</b>	9.2	Typical Applications .....	<b>23</b>
<b>6</b>	<b>Specifications.....</b>	<b>3</b>	<b>10</b>	<b>Power Supply Recommendations .....</b>	<b>30</b>
6.1	Absolute Maximum Ratings .....	<b>3</b>	10.1	AVDD and DVDD Supply Recommendations.....	<b>30</b>
6.2	ESD Ratings.....	<b>3</b>	10.2	Optimizing Power Consumed by the Device .....	<b>30</b>
6.3	Recommended Operating Conditions.....	<b>4</b>	<b>11</b>	<b>Layout.....</b>	<b>31</b>
6.4	Thermal Information .....	<b>4</b>	11.1	Layout Guidelines .....	<b>31</b>
6.5	Electrical Characteristics.....	<b>4</b>	11.2	Layout Example .....	<b>31</b>
6.6	Timing Requirements .....	<b>6</b>	<b>12</b>	<b>器件和文档支持 .....</b>	<b>32</b>
6.7	Switching Characteristics .....	<b>6</b>	12.1	文档支持 .....	<b>32</b>
6.8	Typical Characteristics .....	<b>8</b>	12.2	接收文档更新通知 .....	<b>32</b>
<b>7</b>	<b>Parameter Measurement Information .....</b>	<b>14</b>	12.3	社区资源 .....	<b>32</b>
7.1	Digital Voltage Levels .....	<b>14</b>	12.4	商标 .....	<b>32</b>
<b>8</b>	<b>Detailed Description .....</b>	<b>15</b>	12.5	静电放电警告.....	<b>32</b>
8.1	Overview .....	<b>15</b>	12.6	Glossary .....	<b>32</b>
8.2	Functional Block Diagram .....	<b>15</b>	<b>13</b>	<b>机械、封装和可订购信息 .....</b>	<b>33</b>

## 4 修订历史记录

日期	修订版本	注释
2017 年 3 月	*	首次发布。

## 5 Pin Configuration and Functions



### Pin Functions

PIN		I/O	DESCRIPTION
NAME	NO.		
AINM	8	Analog input	Analog signal input, negative
AINP	7	Analog input	Analog signal input, positive
AVDD	6	Supply	Analog power-supply input, also provides the reference voltage to the ADC
$\overline{\text{CS}}$	1	Digital input	Chip-select signal, active low
DVDD	4	Supply	Digital I/O supply voltage
GND	5	Supply	Ground for power supply, all analog and digital signals are referred to this pin
SCLK	3	Digital input	Serial clock
SDO	2	Digital output	Serial data out

## 6 Specifications

### 6.1 Absolute Maximum Ratings<sup>(1)</sup>

	MIN	MAX	UNIT
AVDD to GND	-0.3	3.9	V
DVDD to GND	-0.3	3.9	V
AINP to GND	-0.3	AVDD + 0.3	V
AINM to GND	-0.3	0.3	V
Input current to any pin except supply pins	-10	10	mA
Digital input voltage to GND	-0.3	DVDD + 0.3	V
Storage temperature, $T_{\text{stg}}$	-60	150	°C

- (1) Stresses beyond those listed under *Absolute Maximum Ratings* may cause permanent damage to the device. These are stress ratings only, which do not imply functional operation of the device at these or any other conditions beyond those indicated under *Recommended Operating Conditions*. Exposure to absolute-maximum-rated conditions for extended periods may affect device reliability.

### 6.2 ESD Ratings

		VALUE	UNIT
$V_{\text{(ESD)}}$	Electrostatic discharge	Human body model (HBM), per ANSI/ESDA/JEDEC JS-001 <sup>(1)</sup>	±2000
		Charged device model (CDM), per JEDEC specification JESD22-C101 <sup>(2)</sup>	±1000

- (1) JEDEC document JEP155 states that 500-V HBM allows safe manufacturing with a standard ESD control process.  
(2) JEDEC document JEP157 states that 250-V CDM allows safe manufacturing with a standard ESD control process.

### 6.3 Recommended Operating Conditions

over operating free-air temperature range (unless otherwise noted)

		MIN	NOM	MAX	UNIT
AVDD	Analog supply voltage range	2.35	3	3.6	V
DVDD	Digital supply voltage range	1.65	1.8	3.6	V
T <sub>A</sub>	Operating free-air temperature	−40	25	125	°C

### 6.4 Thermal Information

THERMAL METRIC <sup>(1)</sup>		ADS7056		UNIT
		RUG (X2QFN)		
		8 PINS		
R <sub>θJA</sub>	Junction-to-ambient thermal resistance	177.5		°C/W
R <sub>θJC(top)</sub>	Junction-to-case (top) thermal resistance	51.5		°C/W
R <sub>θJB</sub>	Junction-to-board thermal resistance	76.7		°C/W
ψ <sub>JT</sub>	Junction-to-top characterization parameter	1		°C/W
ψ <sub>JB</sub>	Junction-to-board characterization parameter	76.7		°C/W
R <sub>θJC(bot)</sub>	Junction-to-case (bottom) thermal resistance	N/A		°C/W

(1) For more information about traditional and new thermal metrics, see the [Semiconductor and IC Package Thermal Metrics](#) application report.

### 6.5 Electrical Characteristics

at AVDD = 3.3 V, DVDD = 1.65 V to 3.6 V, f<sub>SAMPLE</sub> = 2.5 MSPS, and V<sub>AINM</sub> = 0 V (unless otherwise noted); minimum and maximum values for T<sub>A</sub> = −40°C to +125°C; typical values at T<sub>A</sub> = 25°C

PARAMETER		TEST CONDITIONS	MIN	TYP	MAX	UNIT
<b>ANALOG INPUT</b>						
Full-scale input voltage span <sup>(1)</sup>			0		AVDD	V
Absolute input voltage range	AINP to GND		−0.1		AVDD + 0.1	V
	AINM to GND		−0.1		0.1	
C <sub>S</sub>	Sampling capacitance			16		pF
<b>SYSTEM PERFORMANCE</b>						
Resolution				14		Bits
NMC	No missing codes		14			Bits
INL <sup>(2)</sup>	Integral nonlinearity		−3	±2	3	LSB <sup>(3)</sup>
DNL	Differential nonlinearity		−0.99	±0.5	1	LSB
E <sub>O</sub> <sup>(2)</sup>	Offset error	After calibration <sup>(4)</sup>	−6	±2.5	6	LSB
dV <sub>OS</sub> /dT	Offset error drift with temperature			1.75		ppm/°C
E <sub>G</sub> <sup>(2)</sup>	Gain error		−0.1	±0.01	0.1	%FS
Gain error drift with temperature				0.5		ppm/°C
<b>SAMPLING DYNAMICS</b>						
t <sub>CONV</sub>	Conversion time			18 × t <sub>SCLK</sub>		ns
t <sub>ACQ</sub>	Acquisition time		95			ns
f <sub>SAMPLE</sub>	Maximum throughput rate	60-MHz SCLK, AVDD = 2.35 V to 3.6 V			2.5	MHz
Aperture delay				3		ns
Aperture jitter, RMS				12		ps

- (1) Ideal input span; does not include gain or offset error.
- (2) See [Figure 32](#), [Figure 33](#), and [Figure 34](#) for statistical distribution data for INL, offset error, and gain error.
- (3) LSB means least significant bit.
- (4) See the [OFFCAL State](#) section for details.

## Electrical Characteristics (continued)

at AVDD = 3.3 V, DVDD = 1.65 V to 3.6 V, f<sub>SAMPLE</sub> = 2.5 MSPS, and V<sub>AINM</sub> = 0 V (unless otherwise noted); minimum and maximum values for T<sub>A</sub> = –40°C to +125°C; typical values at T<sub>A</sub> = 25°C

PARAMETER		TEST CONDITIONS	MIN	TYP	MAX	UNIT
<b>DYNAMIC CHARACTERISTICS</b>						
SNR	Signal-to-noise ratio <sup>(5)</sup>	AVDD = 3.3 V	72	74.9		dB
		AVDD = 2.5 V		73.7		
THD	Total harmonic distortion <sup>(5)(6)</sup>	f <sub>IN</sub> = 2 kHz		–85		dB
		f <sub>IN</sub> = 250 kHz		–84.8		
		f <sub>IN</sub> = 1000 kHz		–84.5		
SINAD	Signal-to-noise and distortion <sup>(5)</sup>	f <sub>IN</sub> = 2 kHz	71.75	74.5		dB
		f <sub>IN</sub> = 250 kHz		73.7		
		f <sub>IN</sub> = 1000 kHz		73.7		
SFDR	Spurious-free dynamic range <sup>(5)</sup>	f <sub>IN</sub> = 2 kHz		89.8		dB
		f <sub>IN</sub> = 250 kHz		88		
		f <sub>IN</sub> = 1000 kHz		87.5		
BW <sub>(fp)</sub>	Full-power bandwidth	At –3 dB		200		MHz
<b>DIGITAL INPUT/OUTPUT (CMOS Logic Family)</b>						
V <sub>IH</sub>	High-level input voltage <sup>(7)</sup>		0.65 DVDD	DVDD + 0.3		V
V <sub>IL</sub>	Low-level input voltage <sup>(7)</sup>		–0.3	0.35 DVDD		V
V <sub>OH</sub>	High-level output voltage <sup>(7)</sup>	At I <sub>source</sub> = 500 μA	0.8 DVDD	DVDD		V
		At I <sub>source</sub> = 2 mA	DVDD – 0.45	DVDD		
V <sub>OL</sub>	Low-level output voltage <sup>(7)</sup>	At I <sub>sink</sub> = 500 μA	0	0.2 DVDD		V
		At I <sub>sink</sub> = 2 mA	0	0.45		
<b>POWER-SUPPLY REQUIREMENTS</b>						
AVDD	Analog supply voltage		2.35	3	3.6	V
DVDD	Digital I/O supply voltage		1.65	3	3.6	V
I <sub>AVDD</sub>	Analog supply current	AVDD = 3.3 V, f <sub>SAMPLE</sub> = 2.5 MSPS		1050	1250	μA
		AVDD = 3.3 V, f <sub>SAMPLE</sub> = 100 kSPS		48	50	
		AVDD = 3.3 V, f <sub>SAMPLE</sub> = 10 kSPS		5		
		AVDD = 2.5 V, f <sub>SAMPLE</sub> = 2.5 MSPS		750		
		Static current with $\overline{CS}$ and SCLK high		0.02		
I <sub>DVDD</sub>	Digital supply current	DVDD = 1.8 V, CS <sub>DO</sub> = 20 pF, output code = 2AAAh <sup>(8)</sup>		630		μA
		DVDD = 1.8 V, static current with $\overline{CS}$ and SCLK high		0.01		

(5) All specifications expressed in decibels (dB) refer to the full-scale input (FSR) and are tested with an input signal 0.5 dB below full-scale, unless otherwise noted.

(6) Calculated on the first nine harmonics of the input frequency.

(7) Digital voltage levels comply with the JESD8-7A standard for DVDD from 1.65 V to 1.95 V; see the [Parameter Measurement Information](#) section for details.

(8) See the [Estimating Digital Power Consumption](#) section for details.

### 6.6 Timing Requirements

all specifications are at AVDD = 2.35 V to 3.6 V, DVDD = 1.65 V to 3.6 V, and C<sub>LOAD-SDO</sub> = 20 pF (unless otherwise noted); minimum and maximum values for T<sub>A</sub> = -40°C to +125°C; typical values at T<sub>A</sub> = 25°C

		MIN	TYP	MAX	UNIT
t <sub>CLK</sub>	Time period of SCLK	16.66			ns
t <sub>su_CSCK</sub>	Setup time: $\overline{CS}$ falling edge to SCLK falling edge	7			ns
t <sub>ht_CKCS</sub>	Hold time: SCLK rising edge to $\overline{CS}$ rising edge	8			ns
t <sub>ph_CK</sub>	SCLK high time	0.45		0.55	t <sub>SCLK</sub>
t <sub>pl_CK</sub>	SCLK low time	0.45		0.55	t <sub>SCLK</sub>
t <sub>ph_CS</sub>	$\overline{CS}$ high time	15			ns

### 6.7 Switching Characteristics

all specifications are at AVDD = 2.35 V to 3.6 V, DVDD = 1.65 V to 3.6 V, and C<sub>LOAD-SDO</sub> = 20 pF (unless otherwise noted); minimum and maximum values for T<sub>A</sub> = -40°C to +125°C; typical values at T<sub>A</sub> = 25°C

PARAMETER	TEST CONDITIONS	MIN	TYP	MAX	UNIT
t <sub>CYCLE</sub> <sup>(1)</sup>	Cycle time	400			ns
t <sub>CONV</sub>	Conversion time		18 × t <sub>SCLK</sub>		ns
t <sub>den_CSDO</sub>	Delay time: $\overline{CS}$ falling edge to data enable			6.5	ns
t <sub>d_CKDO</sub>	Delay time: SCLK rising edge to (next) data valid on SDO			10	ns
t <sub>ht_CKDO</sub>	SCLK rising edge to current data invalid	2.5			
t <sub>dz_CSDO</sub>	Delay time: $\overline{CS}$ rising edge to SDO going to tri-state	5.5			ns

(1) t<sub>CYCLE</sub> = 1 / f<sub>SAMPLE</sub>.

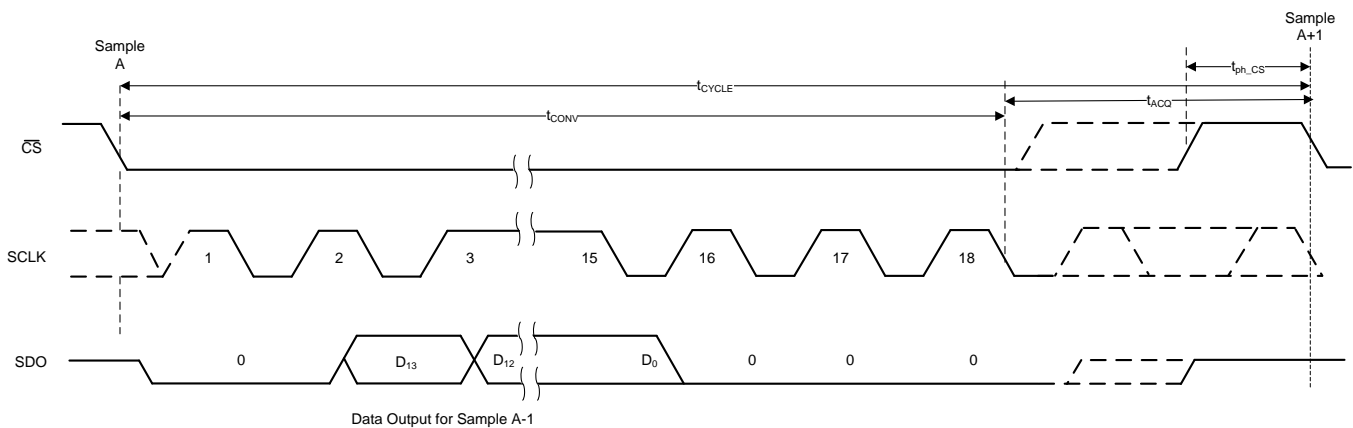
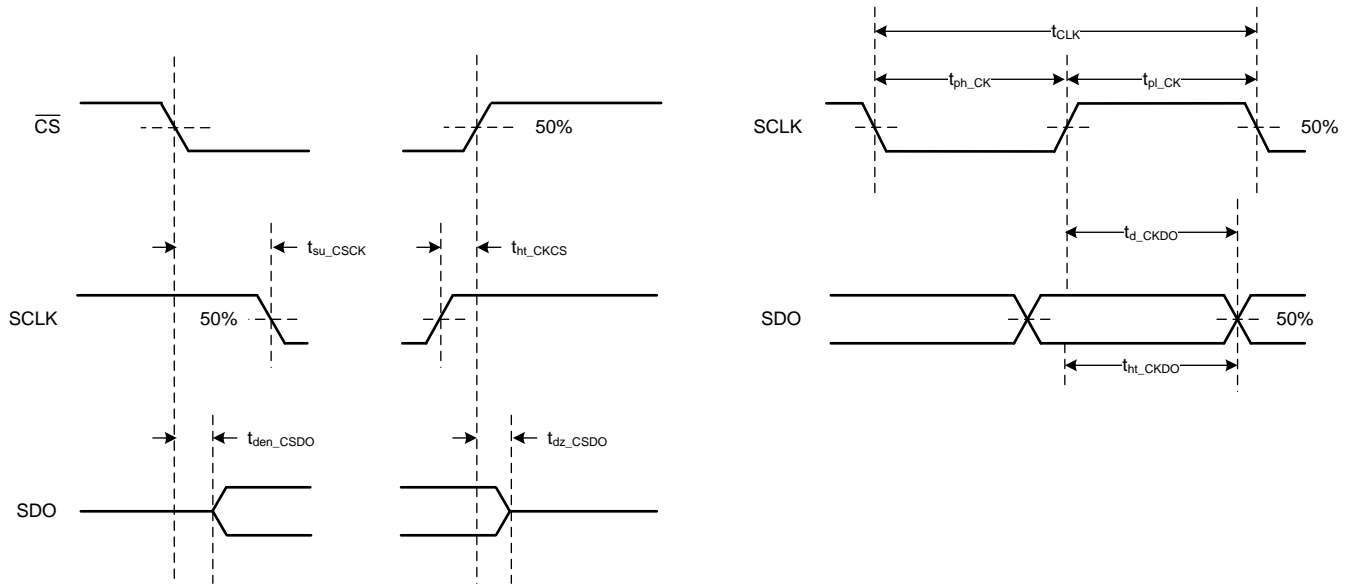


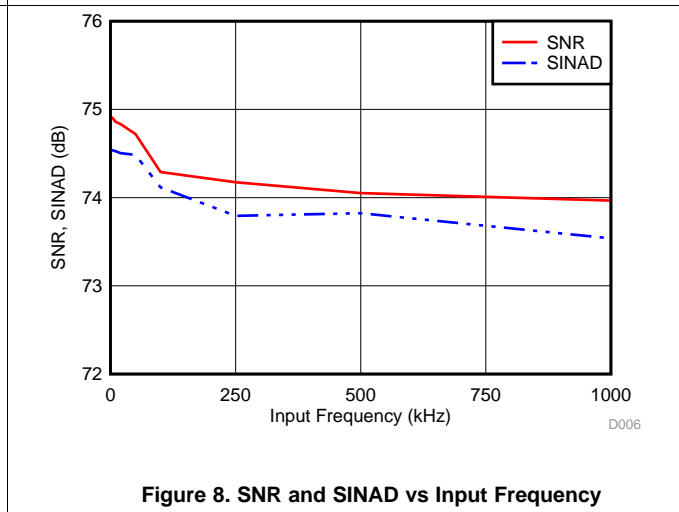
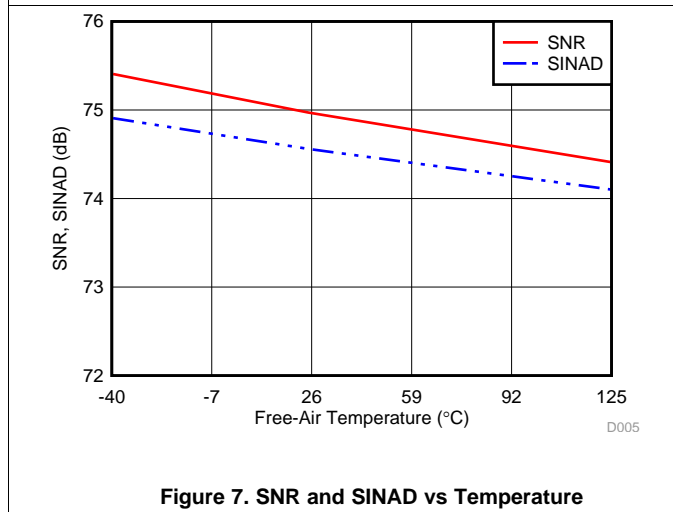
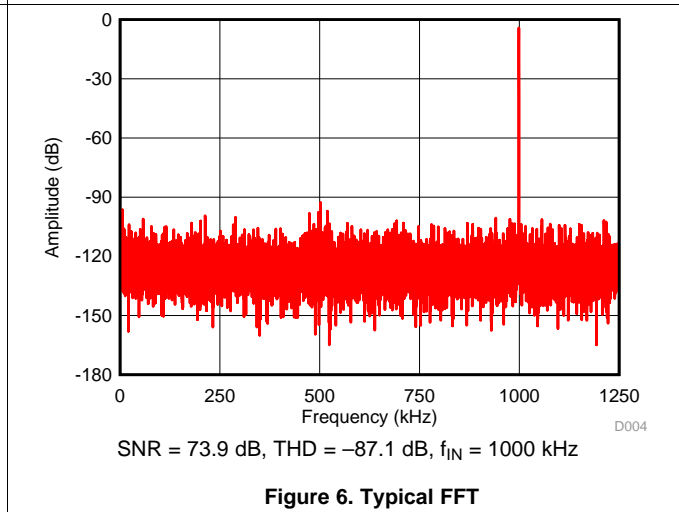
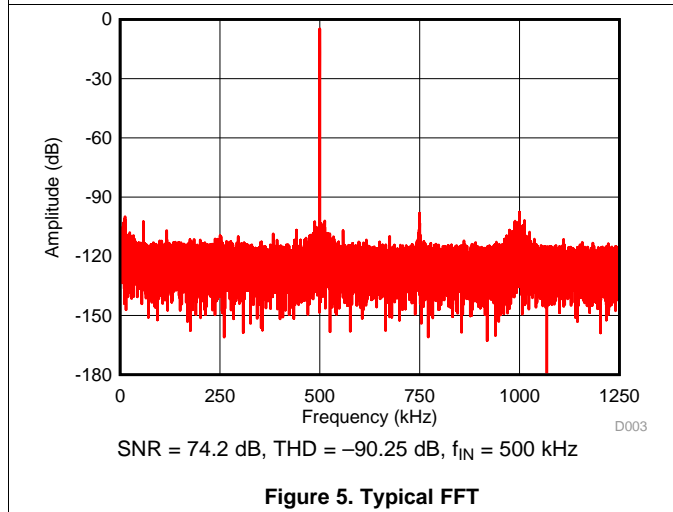
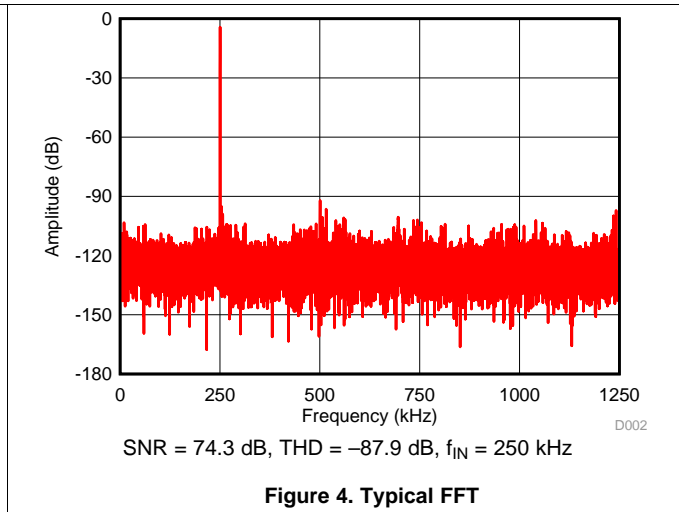
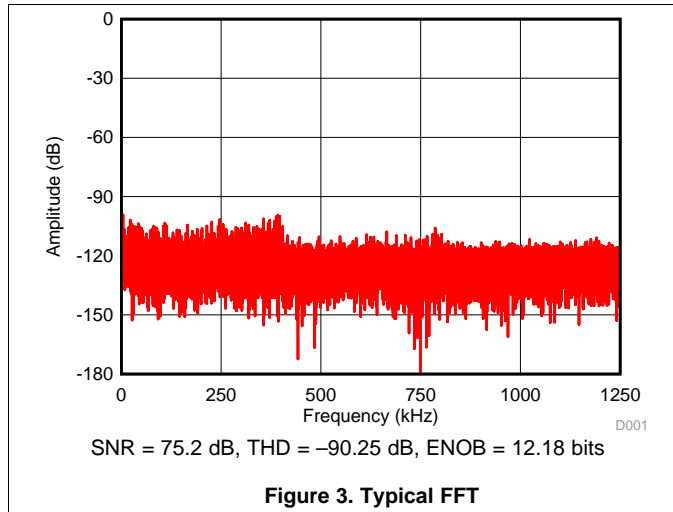
Figure 1. Serial Transfer Frame



**Figure 2. Timing Specifications**

### 6.8 Typical Characteristics

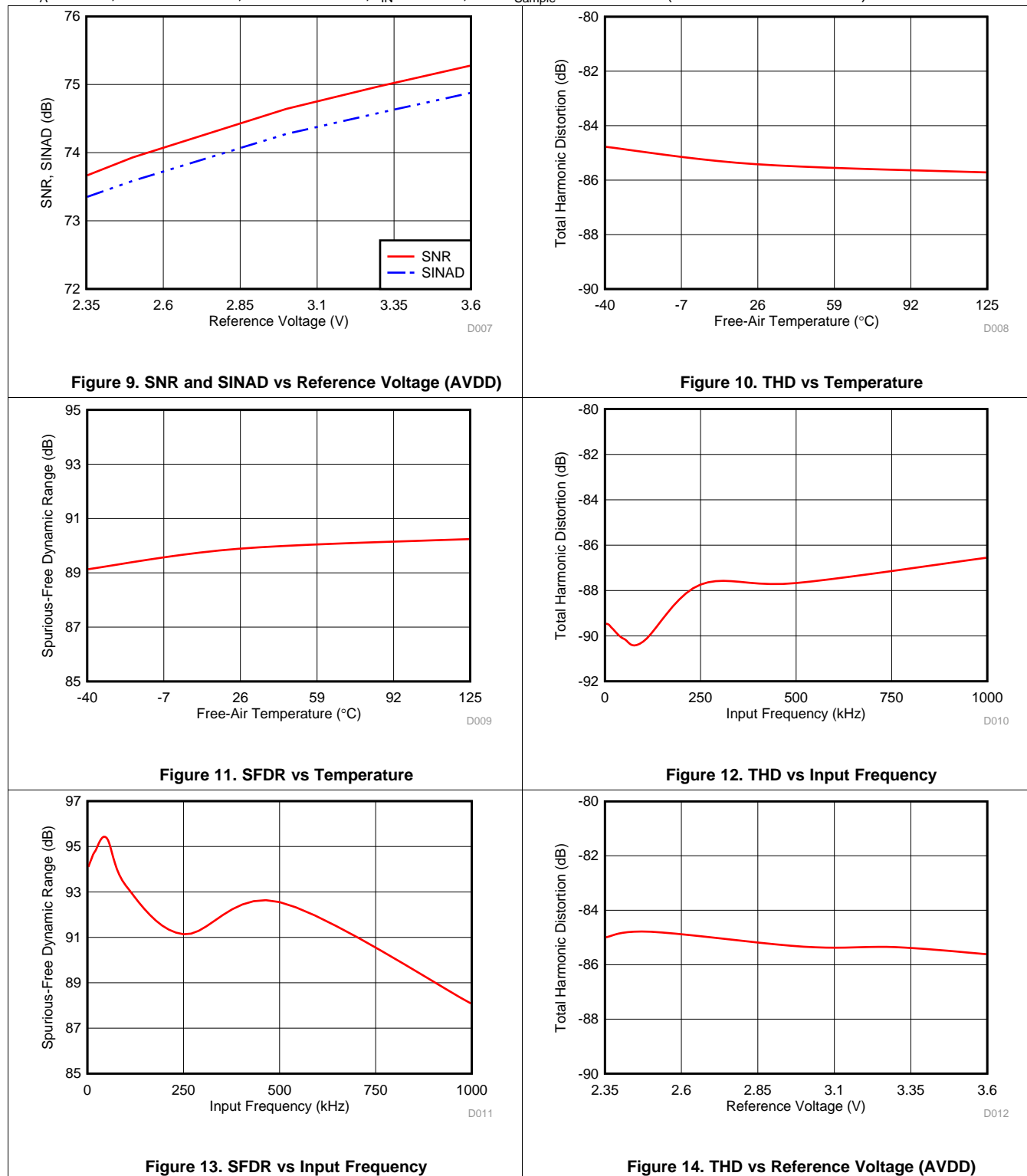
at  $T_A = 25^\circ\text{C}$ ,  $AVDD = 3.3\text{ V}$ ,  $DVDD = 1.8\text{ V}$ ,  $f_{IN} = 2\text{ kHz}$ , and  $f_{\text{Sample}} = 2.5\text{ MSPS}$  (unless otherwise noted)





Typical Characteristics (continued)

at  $T_A = 25^\circ\text{C}$ ,  $AVDD = 3.3\text{ V}$ ,  $DVDD = 1.8\text{ V}$ ,  $f_{IN} = 2\text{ kHz}$ , and  $f_{Sample} = 2.5\text{ MSPS}$  (unless otherwise noted)



Typical Characteristics (continued)

at  $T_A = 25^\circ\text{C}$ ,  $AVDD = 3.3\text{ V}$ ,  $DVDD = 1.8\text{ V}$ ,  $f_{IN} = 2\text{ kHz}$ , and  $f_{Sample} = 2.5\text{ MSPS}$  (unless otherwise noted)

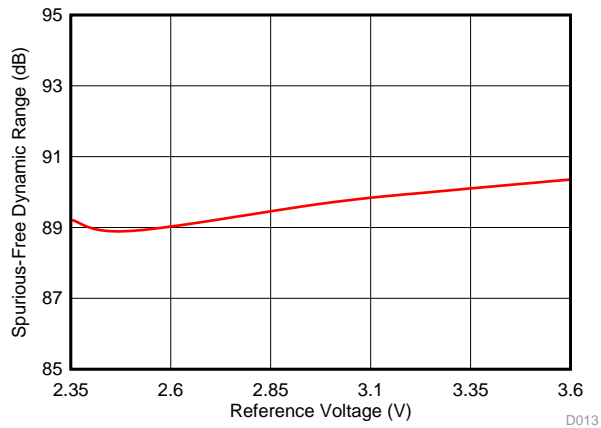


Figure 15. SFDR vs Reference Voltage (AVDD)

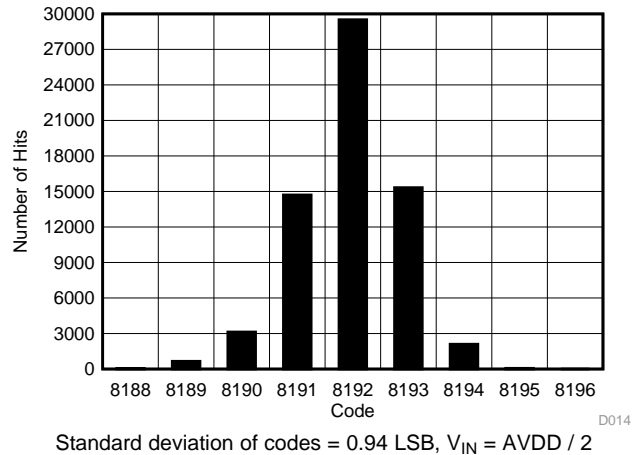


Figure 16. DC Input Histogram

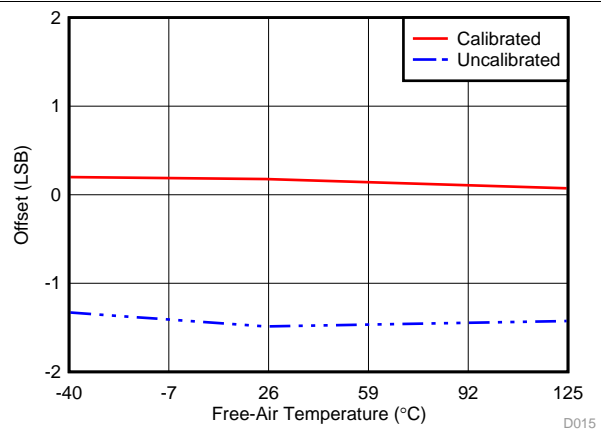


Figure 17. Offset vs Temperature

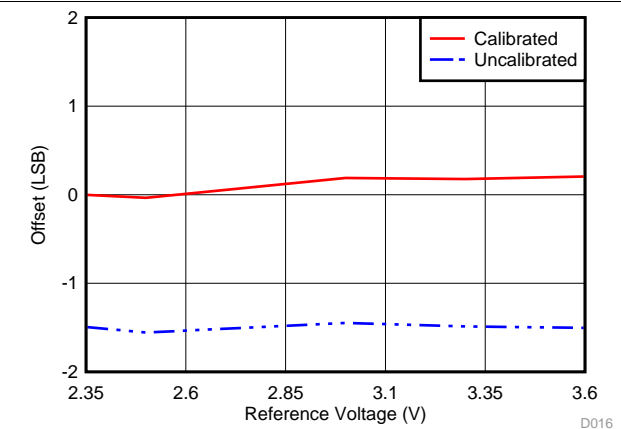


Figure 18. Offset vs Reference Voltage (AVDD)

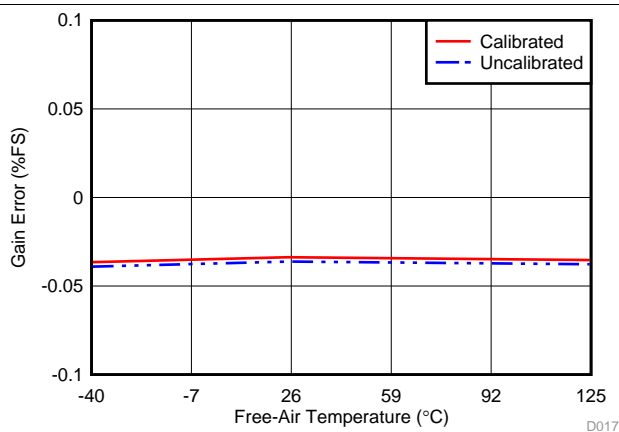


Figure 19. Gain Error vs Temperature

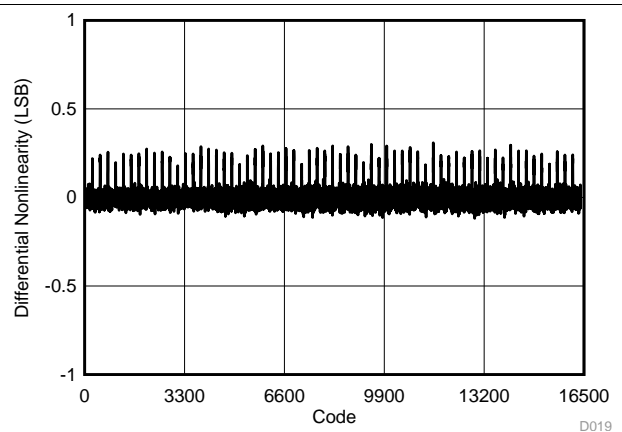
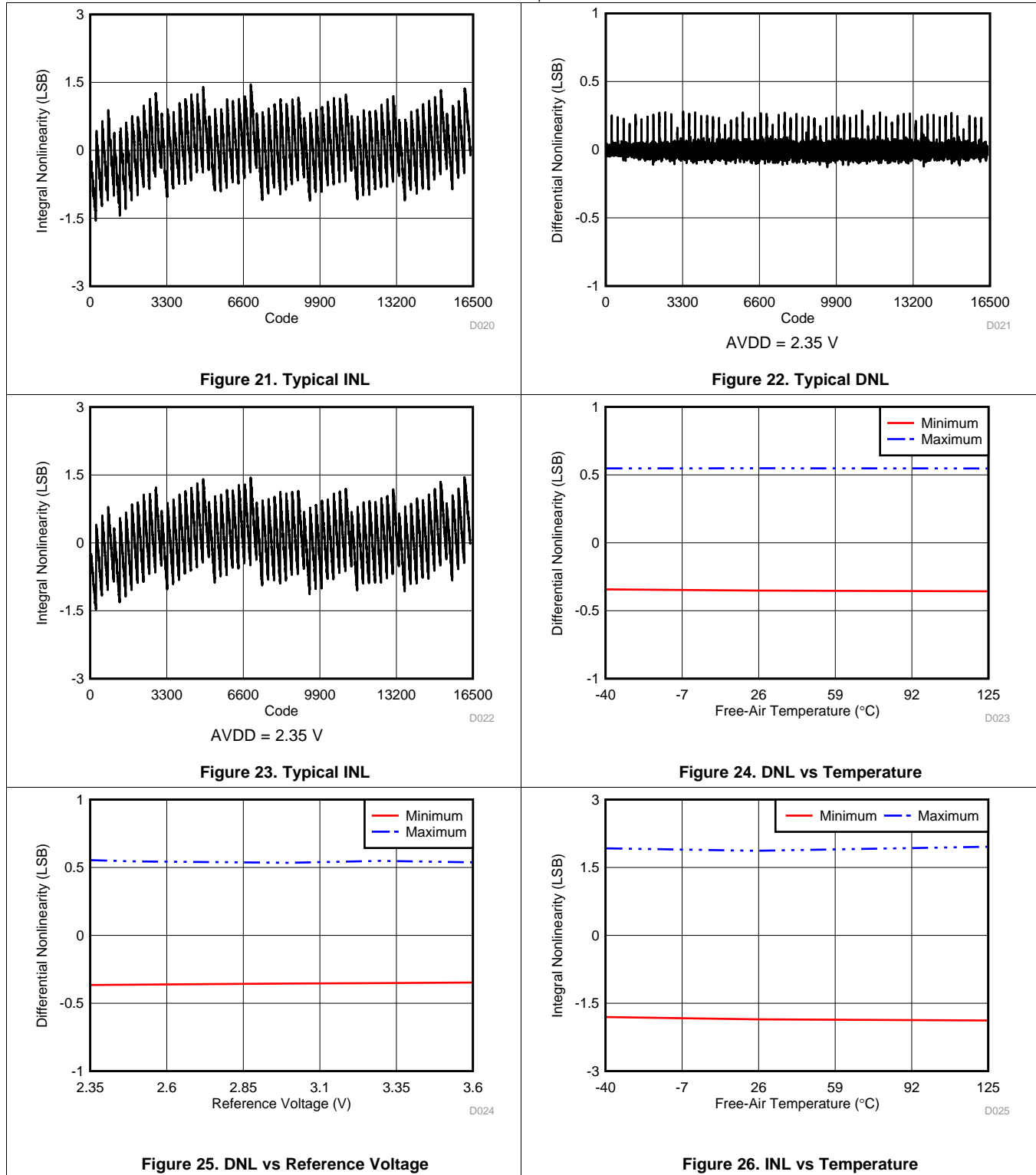


Figure 20. Typical DNL

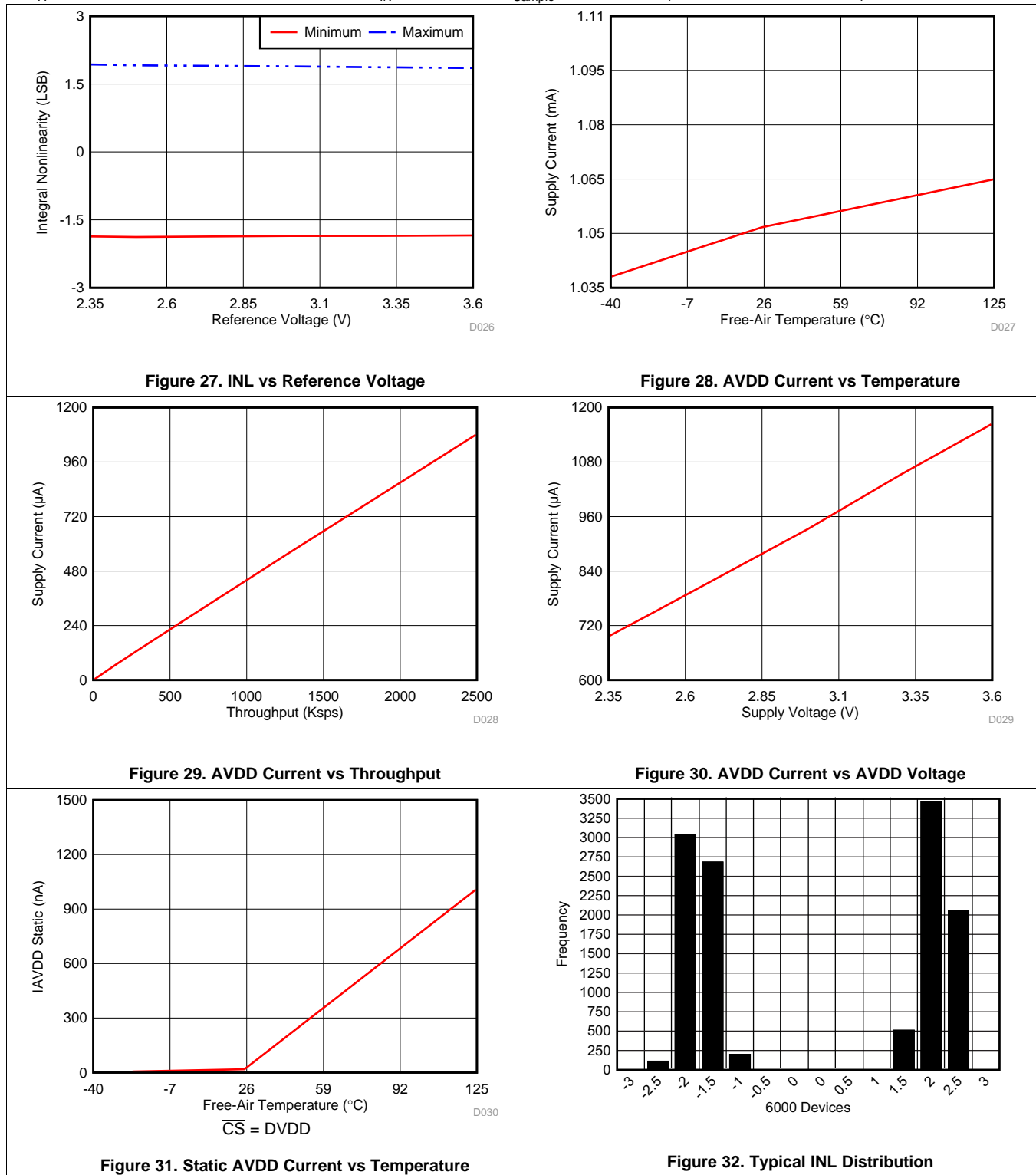
Typical Characteristics (continued)

at  $T_A = 25^\circ\text{C}$ ,  $AVDD = 3.3\text{ V}$ ,  $DVDD = 1.8\text{ V}$ ,  $f_{IN} = 2\text{ kHz}$ , and  $f_{Sample} = 2.5\text{ MSPS}$  (unless otherwise noted)



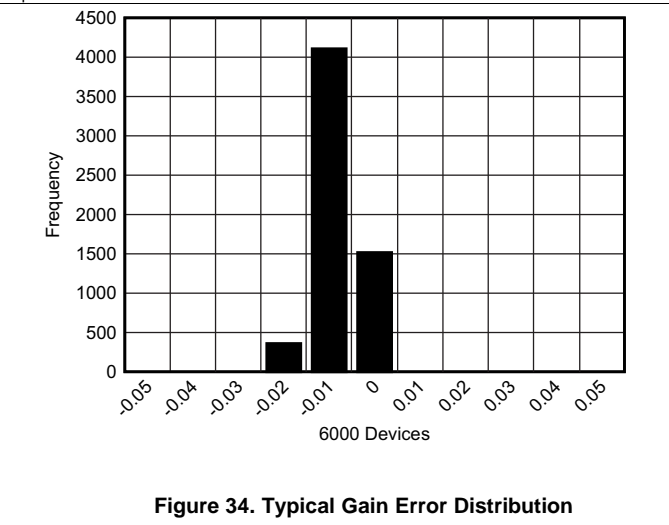
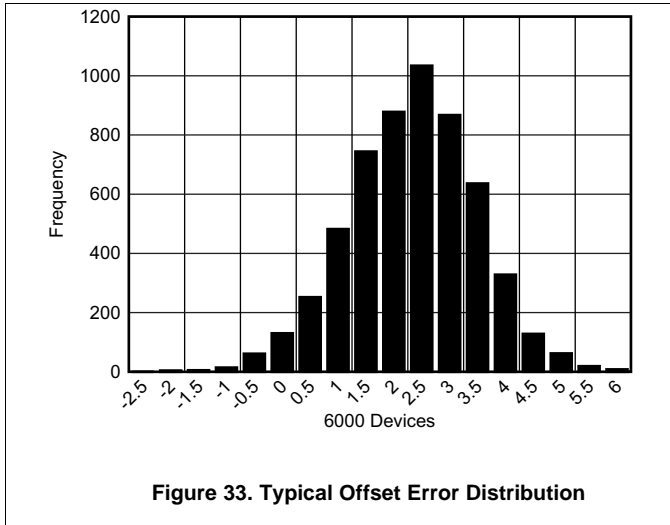
Typical Characteristics (continued)

at  $T_A = 25^\circ\text{C}$ ,  $AVDD = 3.3\text{ V}$ ,  $DVDD = 1.8\text{ V}$ ,  $f_{IN} = 2\text{ kHz}$ , and  $f_{Sample} = 2.5\text{ MSPS}$  (unless otherwise noted)



**Typical Characteristics (continued)**

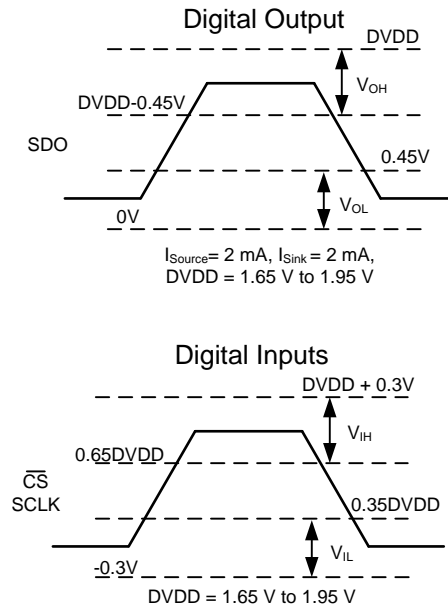
at  $T_A = 25^\circ\text{C}$ ,  $AVDD = 3.3\text{ V}$ ,  $DVDD = 1.8\text{ V}$ ,  $f_{IN} = 2\text{ kHz}$ , and  $f_{\text{Sample}} = 2.5\text{ MSPS}$  (unless otherwise noted)



## 7 Parameter Measurement Information

### 7.1 Digital Voltage Levels

The device complies with the JESD8-7A standard for DVDD from 1.65 V to 1.95 V. Figure 35 shows voltage levels for the digital input and output pins.



**Figure 35. Digital Voltage Levels as per the JESD8-7A Standard**

## 8 Detailed Description

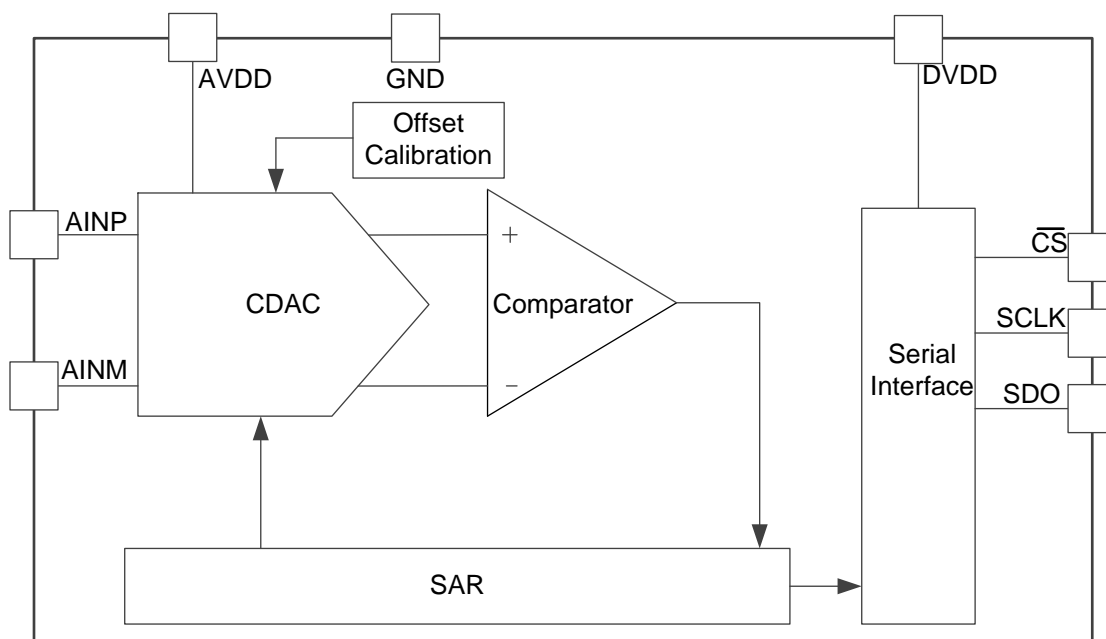
### 8.1 Overview

The ADS7056 is a 14-bit, 2.5-MSPS, analog-to-digital converter (ADC). The device includes a capacitor-based, successive-approximation register (SAR) ADC that supports a wide analog input voltage range (0 V to AVDD, for AVDD in the range of 2.35 V to 3.6 V). The device uses the AVDD supply voltage as the reference voltage for conversion of analog input to digital output and the AVDD supply voltage also powers the analog blocks of the device. The device has integrated offset calibration feature to calibrate its own offset; see the [OFFCAL State](#) section for details.

The SPI-compatible serial interface is controlled by the  $\overline{CS}$  and SCLK signals. The input signal is sampled with the  $\overline{CS}$  falling edge and SCLK is used for conversion and serial data output. The device supports a wide digital supply range (1.65 V to 3.6 V), enabling direct interface to a variety of host controllers. The ADS7056 complies with the JESD8-7A standard for a normal DVDD range (1.65 V to 1.95 V); see the [Digital Voltage Levels](#) section for details.

The ADS7056 is available in 8-pin, miniature, X2QFN package and is specified over extended industrial temperature range (–40°C to 125°C). Miniature form-factor and extremely low-power consumption make this device suitable for space-constrained, battery-powered applications.

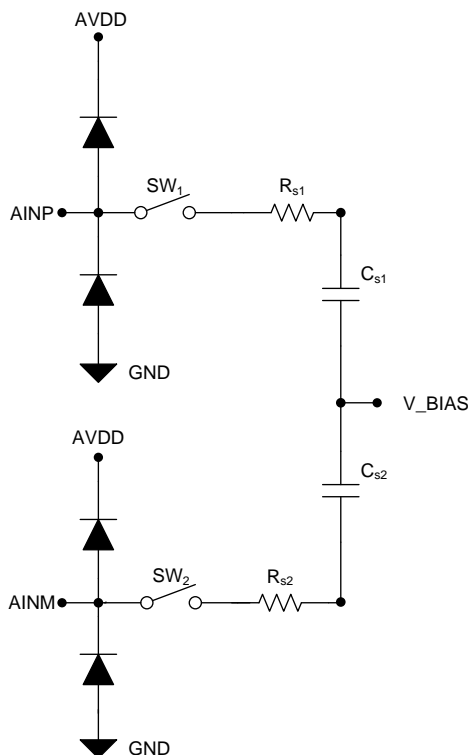
### 8.2 Functional Block Diagram



## 8.3 Feature Description

### 8.3.1 Analog Input

The device supports a unipolar, single-ended analog input signal. Figure 36 shows a small-signal equivalent circuit of the sample-and-hold circuit. The sampling switch is represented by a resistance ( $R_{S1}$  and  $R_{S2}$ , typically  $50\ \Omega$ ) in series with an ideal switch ( $SW_1$  and  $SW_2$ ). The sampling capacitors,  $C_{S1}$  and  $C_{S2}$ , are typically  $16\ \text{pF}$ .



**Figure 36. Equivalent Input Circuit for the Sampling Stage**

During the acquisition process, both positive and negative inputs are individually sampled on  $C_{S1}$  and  $C_{S2}$ , respectively. During the conversion process, the device converts for the voltage difference between the two sampled values:  $V_{AINP} - V_{AINM}$ .

Each analog input pin has electrostatic discharge (ESD) protection diodes to AVDD and GND. Keep the analog inputs within the specified range to avoid turning the diodes on.

The full-scale analog input range (FSR) is 0 V to AVDD and the absolute input range on the AINM and AINP pins is  $-0.1\ \text{V}$  to  $AVDD + 0.1\ \text{V}$ .

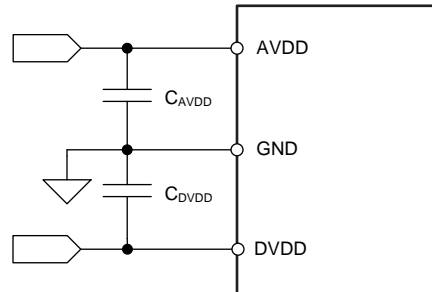


## Feature Description (continued)

### 8.3.2 Reference

The device uses the analog supply voltage (AVDD) as the reference voltage for the analog-to-digital conversion. During the conversion process, the internal capacitors are switched to the AVDD pin as per the successive approximation algorithm. As shown in [Figure 37](#), a 3.3- $\mu\text{F}$  ( $C_{AVDD}$ ), low equivalent series resistance (ESR) ceramic capacitor is recommended to be placed between the AVDD and GND pins. The decoupling capacitor provides the instantaneous charge required by the internal circuit during the conversion process and maintains a stable dc voltage on the AVDD pin.

See the [Power Supply Recommendations](#) and [Layout Example](#) sections for component recommendations and layout guidelines.



**Figure 37. Reference for the Device**

## Feature Description (continued)

### 8.3.3 ADC Transfer Function

The device supports a unipolar, single-ended analog input signal. The output is in straight binary format. Figure 38 and Table 1 show the ideal transfer characteristics for the device.

The least significant bit for the device is given by:

$$1 \text{ LSB} = V_{\text{REF}} / 2^N$$

where:

- $V_{\text{REF}}$  = Voltage applied between the AVDD and GND pins and
- $N = 14$

(1)

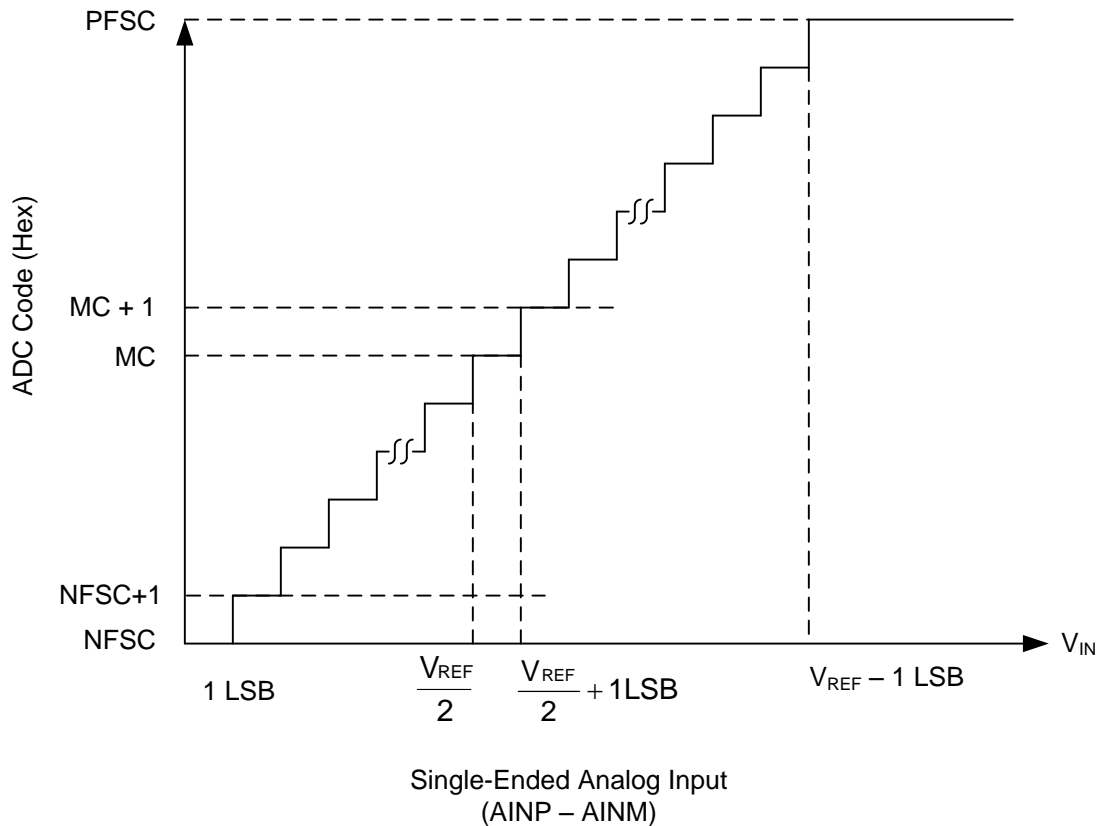


Figure 38. Ideal Transfer Characteristics

Table 1. Transfer Characteristics

INPUT VOLTAGE (AINP – AINM)	CODE	DESCRIPTION	IDEAL OUTPUT CODE (Hex)
$\leq 1 \text{ LSB}$	NFSC	Negative full-scale code	0000
1 LSB to 2 LSBs	NFSC + 1	—	0001
$V_{\text{REF}} / 2$ to $V_{\text{REF}} / 2 + 1 \text{ LSB}$	MC	Mid code	1FFF
$V_{\text{REF}} / 2 + 1 \text{ LSB}$ to $V_{\text{REF}} / 2 + 2 \text{ LSBs}$	MC + 1	—	2000
$\geq V_{\text{REF}} - 1 \text{ LSB}$	PFSC	Positive full-scale code	3FFF

### 8.4 Device Functional Modes

The device supports a simple, SPI-compatible interface to the external host. On power-up, the device is in ACQ state. The  $\overline{CS}$  signal defines one conversion and serial data transfer frame. A frame starts with a  $\overline{CS}$  falling edge and ends with a  $\overline{CS}$  rising edge. The SDO pin is tri-stated when  $\overline{CS}$  is high. With  $\overline{CS}$  low, the clock provided on the SCLK pin is used for conversion and data transfer and the output data are available on the SDO pin.

As shown in Figure 39, the device supports three functional states: acquisition (ACQ), conversion (CNV), and offset calibration (OFFCAL). The device status depends on the  $\overline{CS}$  and SCLK signals provided by the host controller.

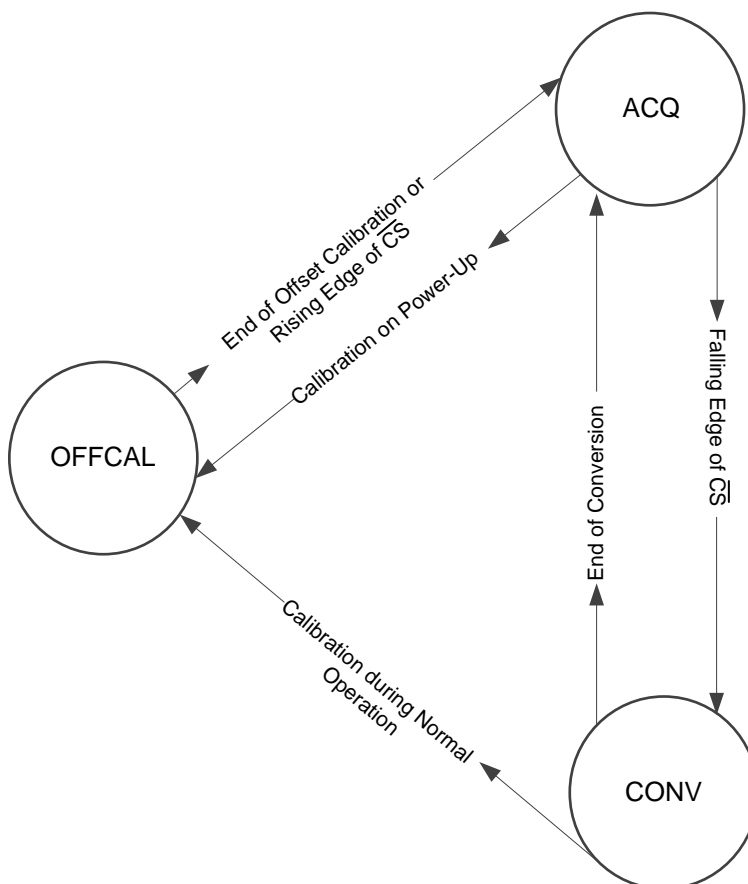


Figure 39. Functional State Diagram

#### 8.4.1 ACQ State

In ACQ state, switches  $SW_1$  and  $SW_2$  connected to the analog input pins close and the device acquires the analog input signal on  $C_{S1}$  and  $C_{S2}$ . The device enters ACQ state at power-up, at the end of every conversion, and after completing the offset calibration. A  $\overline{CS}$  falling edge takes the device from ACQ state to CNV state.

The device consumes extremely low power from the AVDD and DVDD power supplies when in ACQ state.



## Device Functional Modes (continued)

### 8.4.3.1 Offset Calibration on Power-Up

On power-up, the host must provide 24 SCLKs in the first serial transfer to enter the OFFCAL state. The device provides 0's on SDO during offset calibration. For acquisition of the next sample, a minimum time of  $t_{ACQ}$  must be provided. If the host controller enters the OFFCAL state, but pulls the CS pin high before providing 24 SCLKs, then the offset calibration process is aborted and the device enters the ACQ state. Figure 41 and Table 2 provide the timing for offset calibration on power-up.

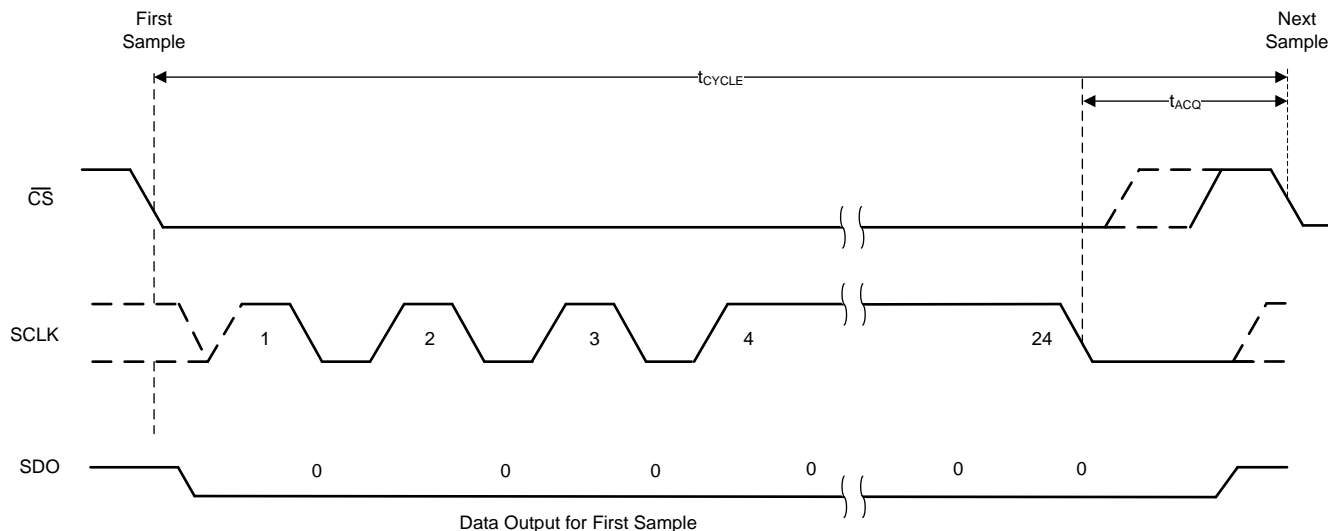


Figure 41. Timing for Offset Calibration on Power-Up

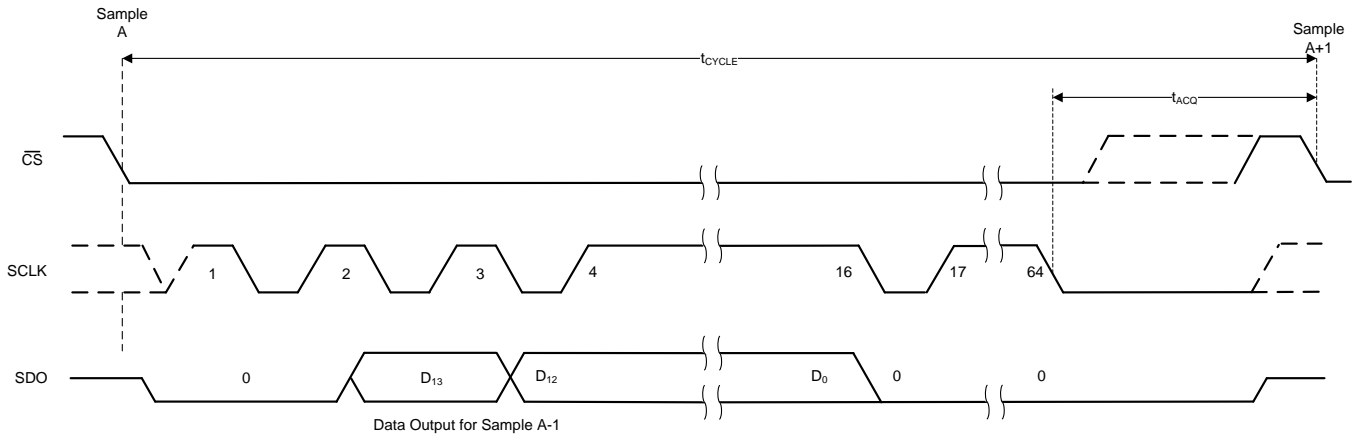
Table 2. Timing Specifications for Offset Calibration on Power-Up<sup>(1)</sup>

		MIN	TYP	MAX	UNIT
$t_{cycle}$	Cycle time for offset calibration on power-up	$24 \times t_{CLK} + t_{ACQ}$			ns
$t_{ACQ}$	Acquisition time	95			ns
$f_{SCLK}$	Frequency of SCLK	60			MHz

(1) In addition to the timing specifications of Figure 41 and Table 2, the timing specifications described in Figure 2 and the [Timing Requirements](#) table are also applicable for offset calibration on power-up.

### 8.4.3.2 Offset Calibration During Normal Operation

During normal operation, the host must provide 64 SCLKs in the serial transfer frame to enter the OFFCAL state. The device provides the conversion result for the previous sample during the first 18 SCLKs and 0's on SDO for the rest of the SCLKs in the serial transfer frame. For acquisition of the next sample, a minimum time of  $t_{ACQ}$  must be provided. If the host controller enters the OFFCAL state, but pulls the  $\overline{CS}$  high before providing 64 SCLKs, then the offset calibration process is aborted and the device enters ACQ state. [Figure 42](#) and [Table 3](#) provide the timing for offset calibration during normal operation.



**Figure 42. Timing for Offset Calibration During Normal Operation**

**Table 3. Timing Specifications for Offset Calibration During Normal Operation<sup>(1)</sup>**

		MIN	TYP	MAX	UNIT
$t_{cycle}$	Cycle time for offset calibration on power-up	$64 \times t_{CLK} + t_{ACQ}$			ns
$t_{ACQ}$	Acquisition time	95			ns
$f_{SCLK}$	Frequency of SCLK	60			MHz

(1) In addition to the timing specifications of [Figure 42](#) and [Table 3](#), the timing specifications described in [Figure 2](#) and the [Timing Requirements](#) table are also applicable for offset calibration during normal operation.

## 9 Application and Implementation

### NOTE

Information in the following applications sections is not part of the TI component specification, and TI does not warrant its accuracy or completeness. TI's customers are responsible for determining suitability of components for their purposes. Customers should validate and test their design implementation to confirm system functionality.

### 9.1 Application Information

The two primary circuits required to maximize the performance of a high-precision, successive approximation register (SAR) analog-to-digital converter (ADC) are the input driver and the reference driver circuits. This section details some general principles for designing the input driver circuit, reference driver circuit, and provides typical application circuits designed for the device.

### 9.2 Typical Applications

#### 9.2.1 Single-Supply Data Acquisition With the ADS7056

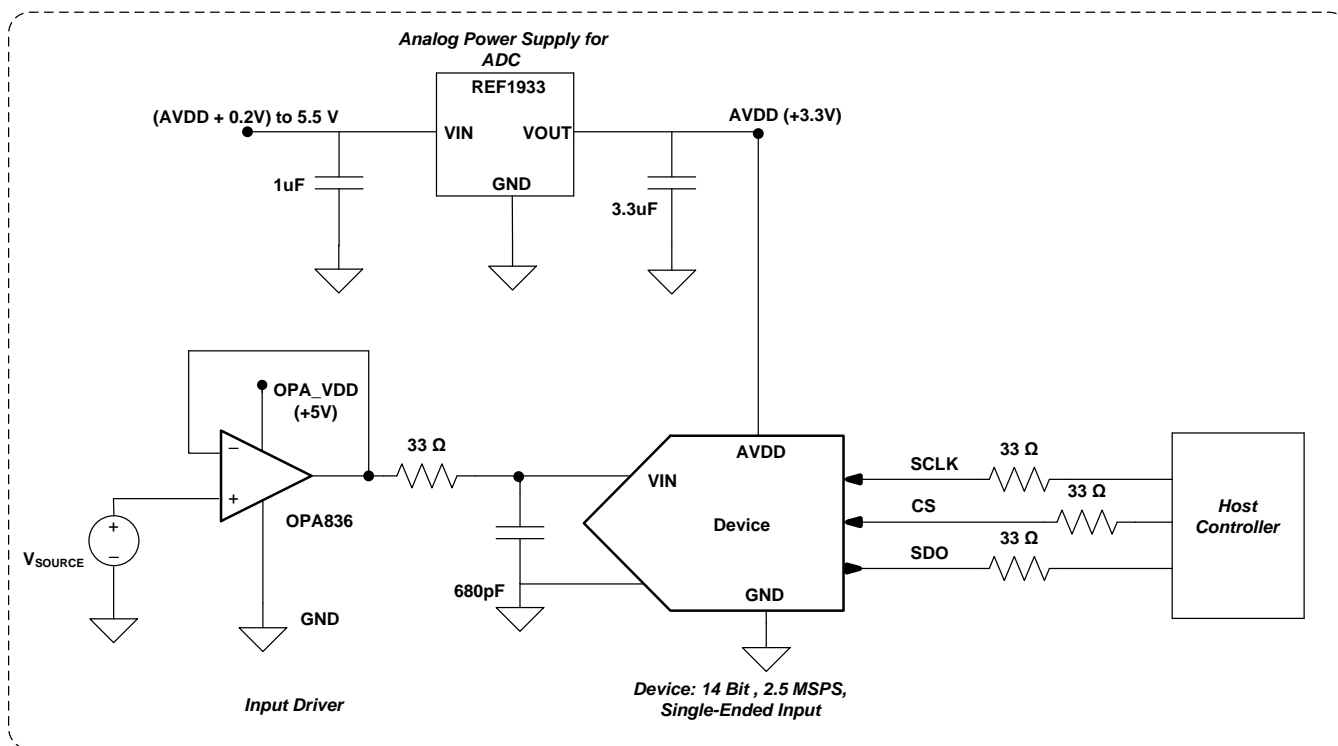


Figure 43. DAQ Circuit: Single-Supply DAQ

##### 9.2.1.1 Design Requirements

The goal of the circuit shown in [Figure 43](#) is to design a single-supply data acquisition (DAQ) circuit based on the ADS7056 with SNR greater than 74 dB and THD less than  $-85$  dB for input frequencies of 2 kHz to 100 kHz at a throughput of 2.5 MSPS for applications such as sonar receivers and ultrasonic flow meters.

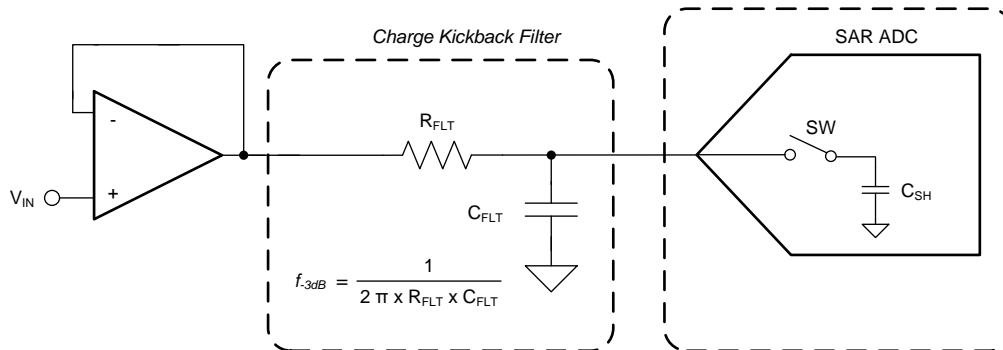
##### 9.2.1.2 Detailed Design Procedure

The input driver circuit for a high-precision ADC mainly consists of two parts: a driving amplifier and charge kickback filter. Careful design of the front-end circuit is critical to meet the linearity and noise performance of a high-precision ADC.

## Typical Applications (continued)

### 9.2.1.2.1 Low Distortion Charge Kickback Filter Design

Figure 44 shows the input circuit of a typical SAR ADC. During the acquisition phase, the SW switch closes and connects the sampling capacitor ( $C_{SH}$ ) to the input driver circuit. This action introduces a transient on the input pins of the SAR ADC. An ideal amplifier with  $0\ \Omega$  of output impedance and infinite current drive can settle this transient in zero time. For a real amplifier with non-zero output impedance and finite drive strength, this switched capacitor load can create stability issues.



**Figure 44. Input Sample-and-Hold Circuit for a Typical SAR ADC**

For ac signals, the filter bandwidth must be kept low to band-limit the noise fed into the ADC input, thereby increasing the signal-to-noise ratio (SNR) of the system. Besides filtering the noise from the front-end drive circuitry, the RC filter also helps attenuate the sampling charge injection from the switched-capacitor input stage of the ADC. A filter capacitor,  $C_{FLT}$ , is connected across the ADC inputs. This capacitor helps reduce the sampling charge injection and provides a charge bucket to quickly charge the internal sample-and-hold capacitors during the acquisition process. As a rule of thumb, the value of this capacitor is at least 20 times the specified value of the ADC sampling capacitance. For this device, the input sampling capacitance is equal to 16 pF. Thus, the value of  $C_{FLT}$  is greater than 320 pF. Select a COG- or NPO-type capacitor because these capacitor types have a high-Q, low-temperature coefficient, and stable electrical characteristics under varying voltages, frequency, and time.

Driving capacitive loads can degrade the phase margin of the input amplifiers, thus making the amplifier marginally unstable. To avoid amplifier stability issues, series isolation resistors ( $R_{FLT}$ ) are used at the output of the amplifiers. A higher value of  $R_{FLT}$  is helpful from the amplifier stability perspective, but adds distortion as a result of interactions with the nonlinear input impedance of the ADC. Distortion increases with source impedance, input signal frequency, and input signal amplitude. Therefore, the selection of  $R_{FLT}$  requires balancing the stability and distortion of the design.



## Typical Applications (continued)

### 9.2.1.2.2 Input Amplifier Selection

Selection criteria for the input amplifiers is highly dependent on the input signal type as well as the performance goals of the data acquisition system. Some key amplifier specifications to consider when selecting an appropriate amplifier to drive the inputs of the ADC are:

- Small-signal bandwidth: select the small-signal bandwidth of the input amplifiers to be as high as possible after meeting the power budget of the system. Higher bandwidth reduces the closed-loop output impedance of the amplifier, thus allowing the amplifier to more easily drive the low cutoff frequency RC filter (see the [Low Distortion Charge Kickback Filter Design](#) section for details.) at the inputs of the ADC. Higher bandwidth also minimizes the harmonic distortion at higher input frequencies. Select the amplifier with the unity-gain bandwidth (UGB) as described in [Equation 2](#) to maintain the overall stability of the input driver circuit.

$$UGB \geq 4 \times \frac{1}{2\pi \times R_{FLT} \times C_{FLT}}$$

where:

- UGB = unity-gain bandwidth (2)
- Noise: noise contribution of the front-end amplifiers must be as low as possible to prevent any degradation in SNR performance of the system. Generally, to ensure that the noise performance of the data acquisition system is not limited by the front-end circuit, the total noise contribution from the front-end circuit must be kept below 20% of the input-referred noise of the ADC. As [Equation 3](#) explains, noise from the input driver circuit is band limited by designing a low cutoff frequency RC filter.

$$NG \times \sqrt{\left(\frac{V_{1/f\_AMP\_PP}}{6.6}\right)^2 + e_{n\_RMS}^2 \times \frac{\pi}{2} \times f_{-3dB}} \leq \frac{1}{5} \times \frac{V_{REF}}{2\sqrt{2}} \times 10^{-\left(\frac{SNR(dB)}{20}\right)}$$

where:

- $V_{1/f\_AMP\_PP}$  is the peak-to-peak flicker noise in  $\mu VRMS$
- $e_{n\_RMS}$  is the amplifier broadband noise
- $f_{-3dB}$  is the  $-3$ -dB bandwidth of the RC filter and
- $N_G$  is the noise gain of the front-end circuit, which is equal to 1 in the buffer configuration (3)
- Distortion: both the ADC and the input driver introduce distortion in a data acquisition block. To ensure that the distortion performance of the data acquisition system is not limited by the front-end circuit, the distortion of the input driver must be at least 10 dB lower than the distortion of the ADC.

For the application circuit of [Figure 43](#), the [OPA836](#) is selected for its high bandwidth (205 MHz), low noise (4.6 nV/ $\sqrt{Hz}$ ), high output drive capacity (45 mA), and fast settling response (22 ns for 0.1% settling).

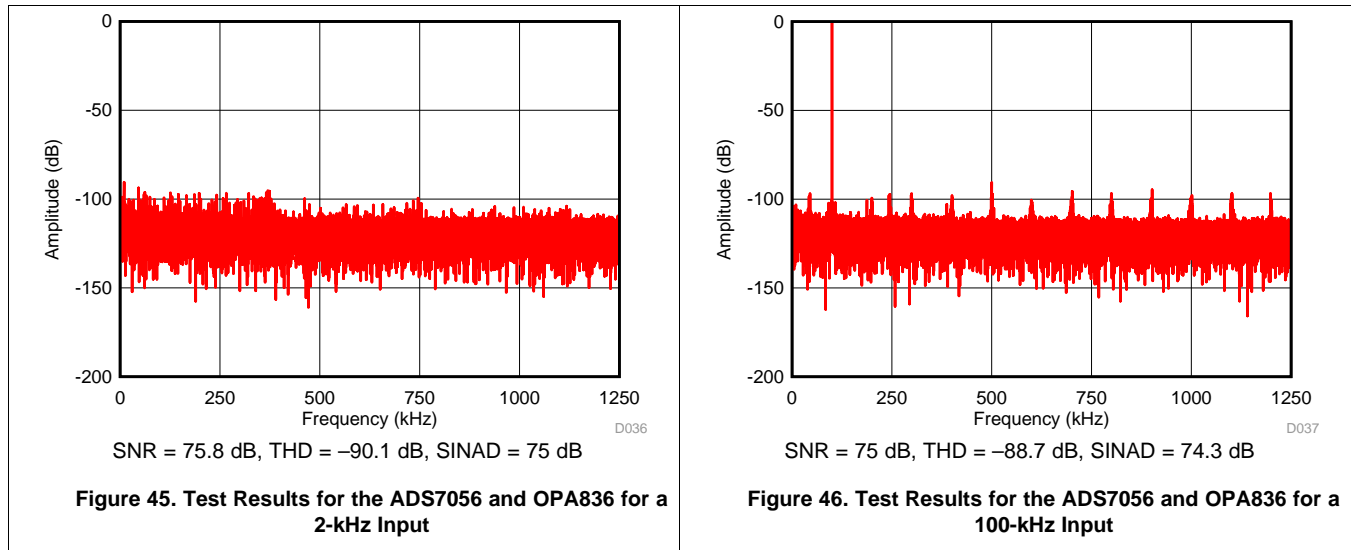
### 9.2.1.2.3 Reference Circuit

The analog supply voltage of the device is also used as a voltage reference for conversion. Decouple the AVDD pin with a 3.3- $\mu F$ , low-ESR ceramic capacitor.

## Typical Applications (continued)

### 9.2.1.3 Application Curves

Figure 45 and Figure 46 provide the measurement results for the circuit described in Figure 43.



### 9.2.2 High Bandwidth (1 MHz) Data Acquisition With the ADS7056

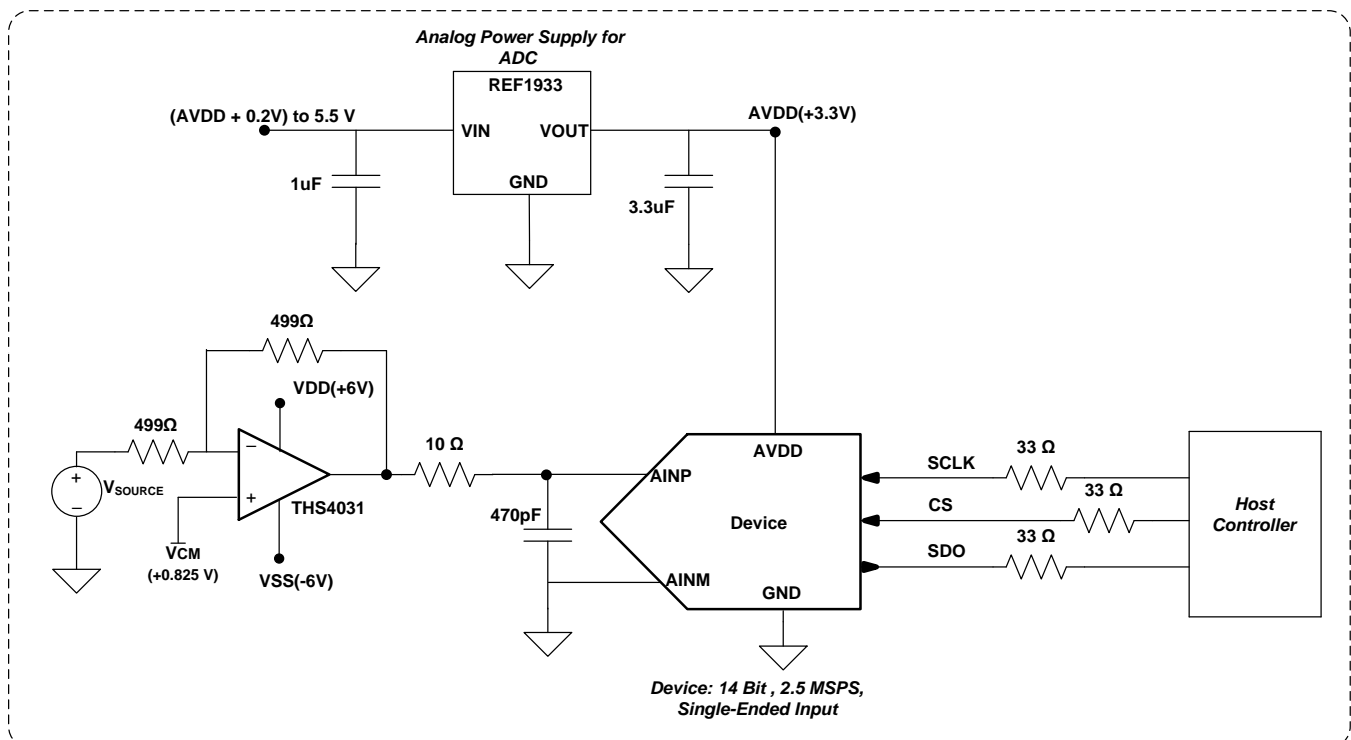


Figure 47. High Bandwidth DAQ Circuit

## Typical Applications (continued)

### 9.2.2.1 Design Requirements

Applications such as ultrasonic flow meters, global positioning systems (GPS), handheld radios, and motor controls need analog-to-digital converters that are interfaced to high-frequency sensors (200 kHz to 1 MHz). The goal of the circuit described in Figure 47 is to design a single-supply digital acquisition (DAQ) circuit based on the ADS7056 with SNR greater than 73 dB and THD less than  $-85$  dB for input frequencies of 200 kHz to 1 MHz at a throughput of 2.5 MSPS.

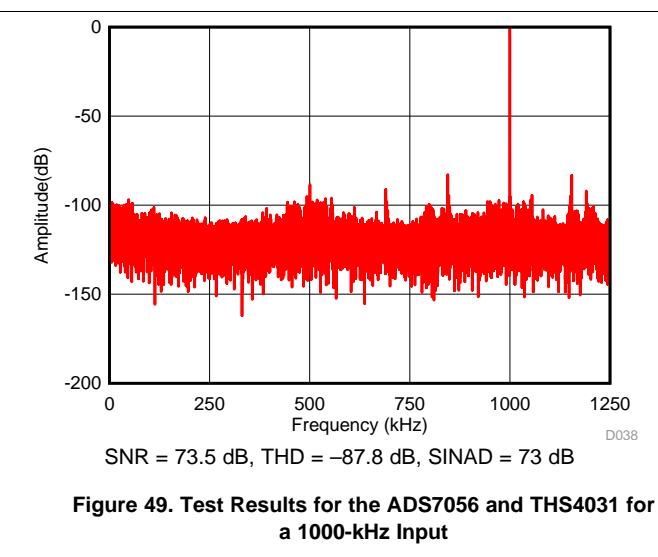
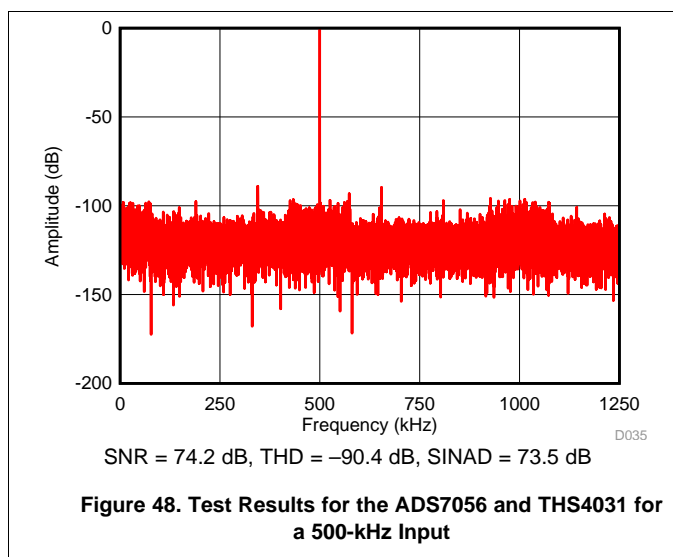
### 9.2.2.2 Detailed Design Procedure

To achieve a SINAD greater than 73 dB, the operational amplifier must have high bandwidth in order to settle the input signal within the acquisition time of the ADC. The operational amplifier must have low noise to keep the total system noise below 20% of the input-referred noise of the ADC. For the application circuit shown in Figure 47, the THS4031 is selected for its high bandwidth (275 MHz), low total harmonic distortion of  $-90$  dB at 1 MHz, and ultra-low noise of  $1.6$  nV/ $\sqrt{\text{Hz}}$ . The THS4031 is powered up from dual power supply (VDD = 6 V and VSS =  $-6$  V).

For chip-select signals, high-frequency system SNR performance is highly dependent on jitter. Thus, selecting a clock source with very low jitter ( $< 20$ -ps RMS) is recommended.

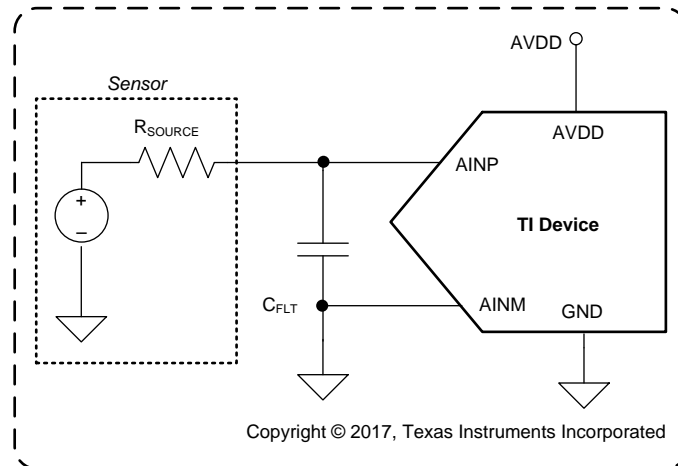
### 9.2.2.3 Application Curves

Figure 48 shows the FFT plot for the ADS7056 with a 500-kHz input frequency used for the circuit in Figure 47. Figure 49 shows the FFT plot for the ADS7056 with a 1000-kHz input frequency used for the circuit in Figure 47.



## Typical Applications (continued)

### 9.2.3 14-Bit, 10-kSPS DAQ Circuit Optimized for DC Sensor Measurements



**Figure 50. Interfacing the Device Directly With Sensors**

In applications such as environmental sensors, gas detectors, and smoke or fire detectors where the input is very slow moving and the sensor can be connected directly to the device operating at a lower throughput rate, a DAQ circuit can be designed without the input driver for the ADC. This type of a use case is of particular interest for applications in which the primary goal is to achieve the absolute lowest power, size, and cost. Typical applications that fall into this category are low-power sensor applications (such as temperature, pressure, humidity, gas, and chemical).

#### 9.2.3.1 Design Requirements

For this design example, use the parameters listed in [Table 4](#) as the input parameters.

**Table 4. Design Parameters**

DESIGN PARAMETER	GOAL VALUE
Throughput	10 kSPS
SNR at 100 Hz	74 dB
THD at 100 Hz	-85 dB
SINAD at 100 Hz	73 dB
ENOB	12 bits
Power	20 $\mu$ W

#### 9.2.3.2 Detailed Design Procedure

The ADS7056 can be directly interfaced with sensors at lower throughput without the need of an amplifier buffer. The analog input source drive must be capable of driving the switched capacitor load of a SAR ADC and settling the analog input signal within the acquisition time of the SAR ADC. However, the output impedance of the sensor must be taken into account when interfacing a SAR ADC directly with sensors. Drive the analog input of the SAR ADC with a low impedance source. The input signal requires more acquisition time to settle to the desired accuracy because of the higher output impedance of the sensor. [Figure 50](#) shows the simplified circuit for a sensor as a voltage source with output impedance ( $R_{SOURCE}$ ).

The acquisition time of a SAR ADC (such as the ADS7056) can be increased by reducing throughput in the following ways:

1. Reducing the SCLK frequency to reduce the throughput, or
2. Keeping the SCLK fixed at the highest permissible value (that is, 60 MHz for the device) and increasing the CS high time.

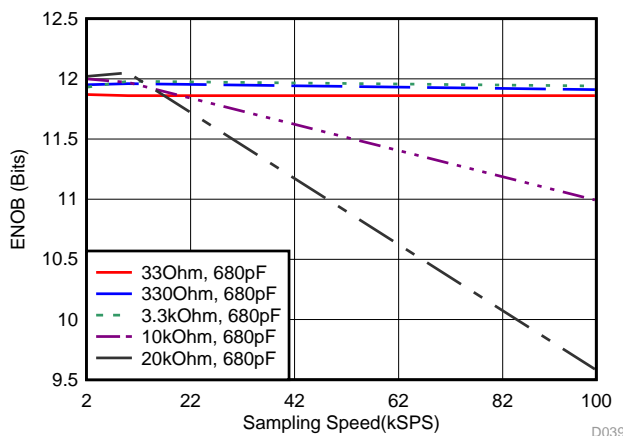
Table 5 lists the acquisition time for the above two cases for a throughput of 10 kSPS. Clearly, case 2 provides more acquisition time for the input signal to settle.

**Table 5. Acquisition Time with Different SCLK Frequencies**

CASE	SCLK	t <sub>cycle</sub>	CONVERSION TIME (= 18 × t <sub>SCLK</sub> )	ACQUISITION TIME (= t <sub>cycle</sub> – t <sub>conv</sub> )
1	0.24 MHz	100 μs	75 μs	25 μs
2	60 MHz	100 μs	0.3 μs	99.7 μs

**9.2.3.3 Application Curve**

When the output impedance of the sensor increases, the time required for the input signal to settle increases and the performance of the SAR ADC starts degrading if the input signal does not settle within the acquisition time of the ADC. The performance of the SAR ADC can be improved by reducing the throughput to provide enough time for the input signal to settle. Figure 51 provides the results for ENOB achieved from the ADS7056 for case 2 at different throughputs with different input impedances at the device input.



**Figure 51. Effective Number of Bits (ENOB) Achieved From the ADS7056 at Different Throughputs**

Table 6 shows the results and performance summary for this 14-bit, 10-kSPS DAQ circuit application.

**Table 6. Results and Performance Summary for a 14-Bit, 10-kSPS DAQ Circuit for DC Sensor Measurements**

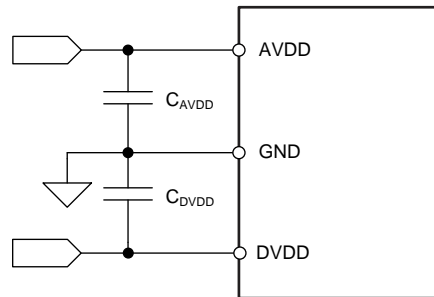
DESIGN PARAMETER	GOAL VALUE	ACHIEVED RESULT
Throughput	10 kSPS	10 kSPS
SNR at 100 Hz	74 dB	75 dB
THD at 100 Hz	-85 dB	-89 dB
SINAD at 100 Hz	73 dB	74.3 dB
ENOB	12	12.05
Power	20 μW	17 μW

## 10 Power Supply Recommendations

### 10.1 AVDD and DVDD Supply Recommendations

The device has two separate power supplies: AVDD and DVDD. AVDD powers the analog blocks and is also used as the reference voltage for the analog-to-digital conversion. Always set the AVDD supply to be greater than or equal to the maximum input signal to avoid saturation of codes. Decouple the AVDD pin to the GND pin with a 3.3- $\mu\text{F}$  ceramic decoupling capacitor.

DVDD is used for the interface circuits. Decouple the DVDD pin to the GND pin with a 1- $\mu\text{F}$  ceramic decoupling capacitor. [Figure 52](#) shows the decoupling recommendations.



**Figure 52. Power-Supply Decoupling**

### 10.2 Optimizing Power Consumed by the Device

- Keep the analog supply voltage (AVDD) in the specified operating range and equal to the maximum analog input voltage.
- Keep the digital supply voltage (DVDD) in the specified operating range and at the lowest value supported by the host controller.
- Reduce the load capacitance on the SDO output.
- Run the device at the optimum throughput. Power consumption reduces proportionally with the throughput.

#### 10.2.1 Estimating Digital Power Consumption

The current consumption from the DVDD supply depends on the DVDD voltage, the load capacitance on the SDO pin ( $C_{\text{LOAD-SDO}}$ ), and the output code, and can be calculated as:

$$I_{\text{DVDD}} = C_{\text{LOAD-SDO}} \times V \times f$$

where:

- $C_{\text{LOAD-SDO}}$  = Load capacitance on the SDO pin
  - $V$  = DVDD supply voltage
  - $f$  = frequency of transitions on the SDO output
- (4)

The number of transitions on the SDO output depends on the output code, and thus changes with the analog input. The maximum value of  $f$  occurs when data output on the SDO change on every SCLK (that is, for output codes of 2AAAh or 1555h). With an output code of 2AAAh,  $f = 17.5$  MHz and when  $C_{\text{LOAD-SDO}} = 20$  pF and DVDD = 1.8 V,  $I_{\text{DVDD}} = 630$   $\mu\text{A}$ .

## 11 Layout

### 11.1 Layout Guidelines

Figure 53 shows a board layout example for the device. The key considerations for layout are:

- Use a solid ground plane underneath the device and partition the PCB into analog and digital sections
- Avoid crossing digital lines with the analog signal path and keep the analog input signals and the reference input signals away from noise sources.
- The power sources to the device must be clean and well-bypassed. Use  $C_{AVDD}$  decoupling capacitors in close proximity to the analog (AVDD) power supply pin.
- Use a  $C_{DVDD}$  decoupling capacitor close to the digital (DVDD) power-supply pin.
- Avoid placing vias between the AVDD and DVDD pins and the bypass capacitors.
- Connect the ground pin to the ground plane using a short, low-impedance path.
- Place the charge kickback filter components close to the device.

Among ceramic surface-mount capacitors, COG (NPO) ceramic capacitors are recommended because these components provide the most stable electrical properties over voltage, frequency, and temperature changes.

### 11.2 Layout Example

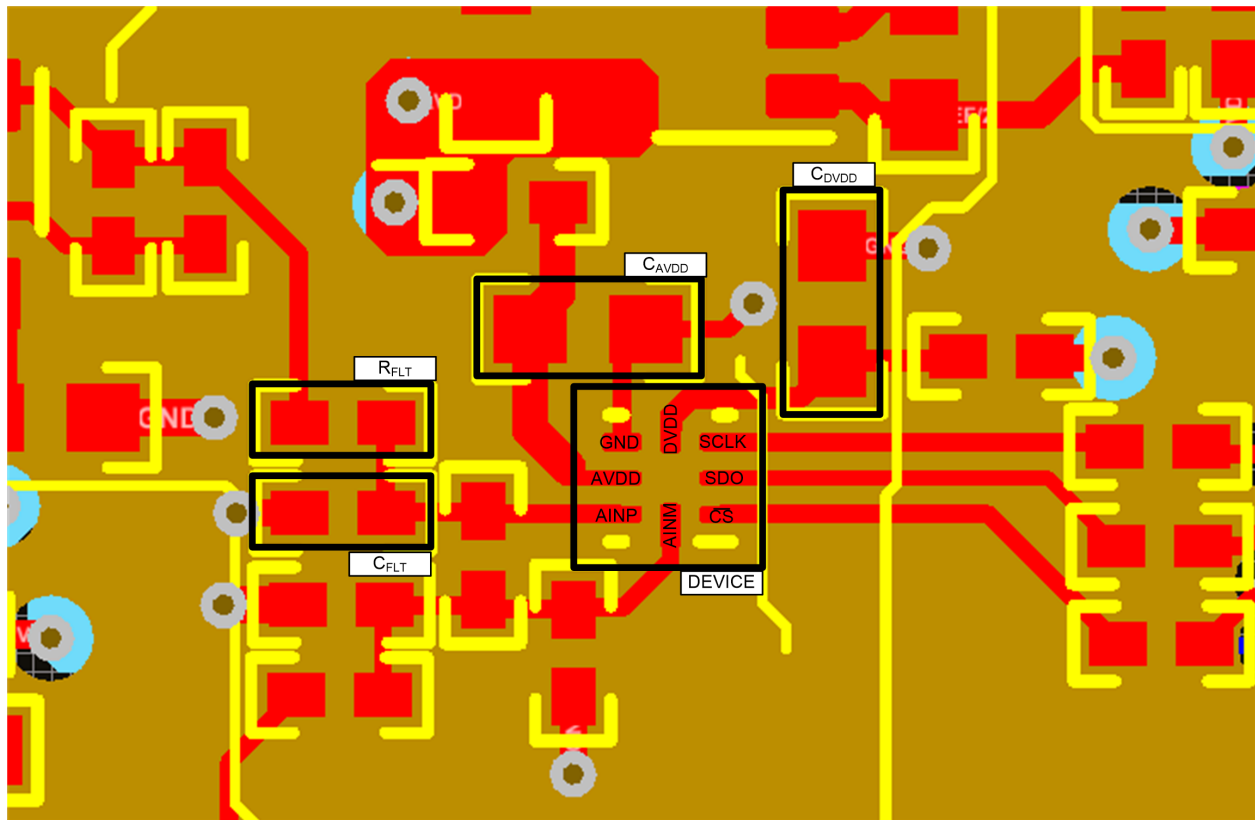


Figure 53. Example Layout

## 12 器件和文档支持

### 12.1 文档支持

#### 12.1.1 相关文档

相关文档请参阅以下部分：

- 《[OPAx836 极低功耗、轨至轨输出、负轨输入、电压反馈运算放大器](#)》
- 《[REF19xx 低漂移、低功率、双路输出、 \$V\_{REF}\$  和  \$V\_{REF}/2\$  电压基准](#)》
- 《[OPAx365 50MHz、零交叉、低失真、高 CMRR、RRIO、单电源运算放大器](#)》
- 《[具有集成 ADC 驱动器缓冲器的 REF61xx 高精度电压基准](#)》
- 《[THS4281 极低功耗、高速、轨至轨输入和输出电压反馈运算放大器](#)》
- 《[ADS7042 超低功耗、超小尺寸、12 位、1MSPS、SAR ADC](#)》
- 《[ADS7049-Q1 小型低功耗 12 位、2MSPS SAR ADC](#)》

#### 12.2 接收文档更新通知

如需接收文档更新通知，请访问 [www.ti.com.cn](http://www.ti.com.cn) 网站上的器件产品文件夹。点击右上角的提醒我 (Alert me) 注册后，即可每周定期收到已更改的产品信息。有关更改的详细信息，请查阅已修订文档中包含的修订历史记录。

#### 12.3 社区资源

The following links connect to TI community resources. Linked contents are provided "AS IS" by the respective contributors. They do not constitute TI specifications and do not necessarily reflect TI's views; see TI's [Terms of Use](#).

**TI E2E™ Online Community** *TI's Engineer-to-Engineer (E2E) Community*. Created to foster collaboration among engineers. At [e2e.ti.com](http://e2e.ti.com), you can ask questions, share knowledge, explore ideas and help solve problems with fellow engineers.

**Design Support** *TI's Design Support* Quickly find helpful E2E forums along with design support tools and contact information for technical support.

#### 12.4 商标

E2E is a trademark of Texas Instruments.

All other trademarks are the property of their respective owners.

#### 12.5 静电放电警告



ESD 可能会损坏该集成电路。德州仪器 (TI) 建议通过适当的预防措施处理所有集成电路。如果不遵守正确的处理措施和安装程序，可能会损坏集成电路。

ESD 的损坏小至导致微小的性能降级，大至整个器件故障。精密的集成电路可能更容易受到损坏，这是因为非常细微的参数更改都可能会导致器件与其发布的规格不相符。

#### 12.6 Glossary

**SLYZ022** — *TI Glossary*.

This glossary lists and explains terms, acronyms, and definitions.



### 13 机械、封装和可订购信息

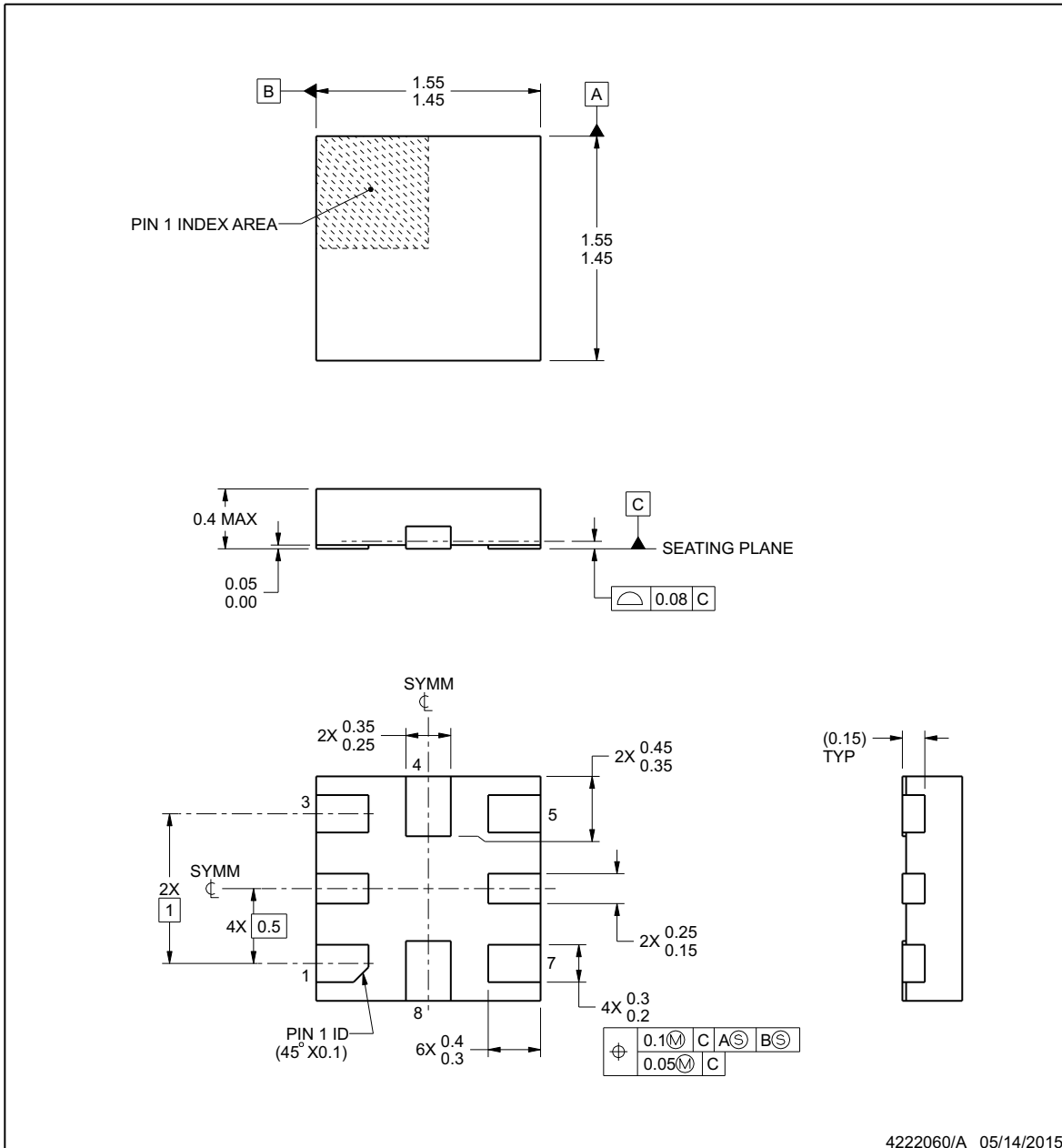
以下页中包括机械、封装和可订购信息。这些信息是针对指定器件可提供的最新数据。这些数据会在无通知且不对本文档进行修订的情况下发生改变。欲获得该数据表的浏览器版本，请查阅左侧的导航栏。



**RUG0008A**

**PACKAGE OUTLINE**  
**X2QFN - 0.4 mm max height**

PLASTIC QUAD FLATPACK - NO LEAD



**NOTES:**

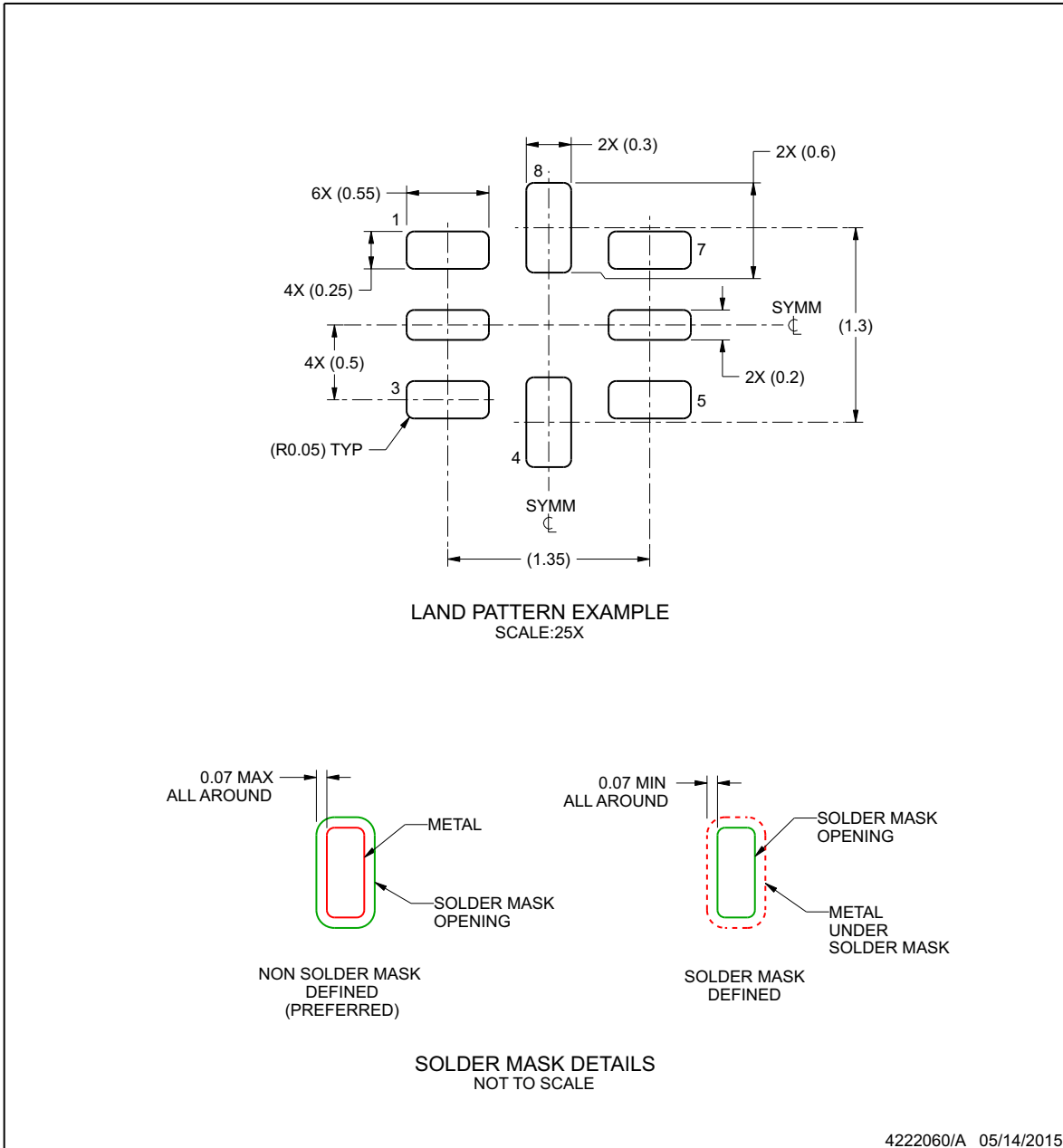
1. All linear dimensions are in millimeters. Any dimensions in parenthesis are for reference only. Dimensioning and tolerancing per ASME Y14.5M.
2. This drawing is subject to change without notice.

EXAMPLE BOARD LAYOUT

RUG0008A

X2QFN - 0.4 mm max height

PLASTIC QUAD FLATPACK - NO LEAD



4222060/A 05/14/2015

NOTES: (continued)

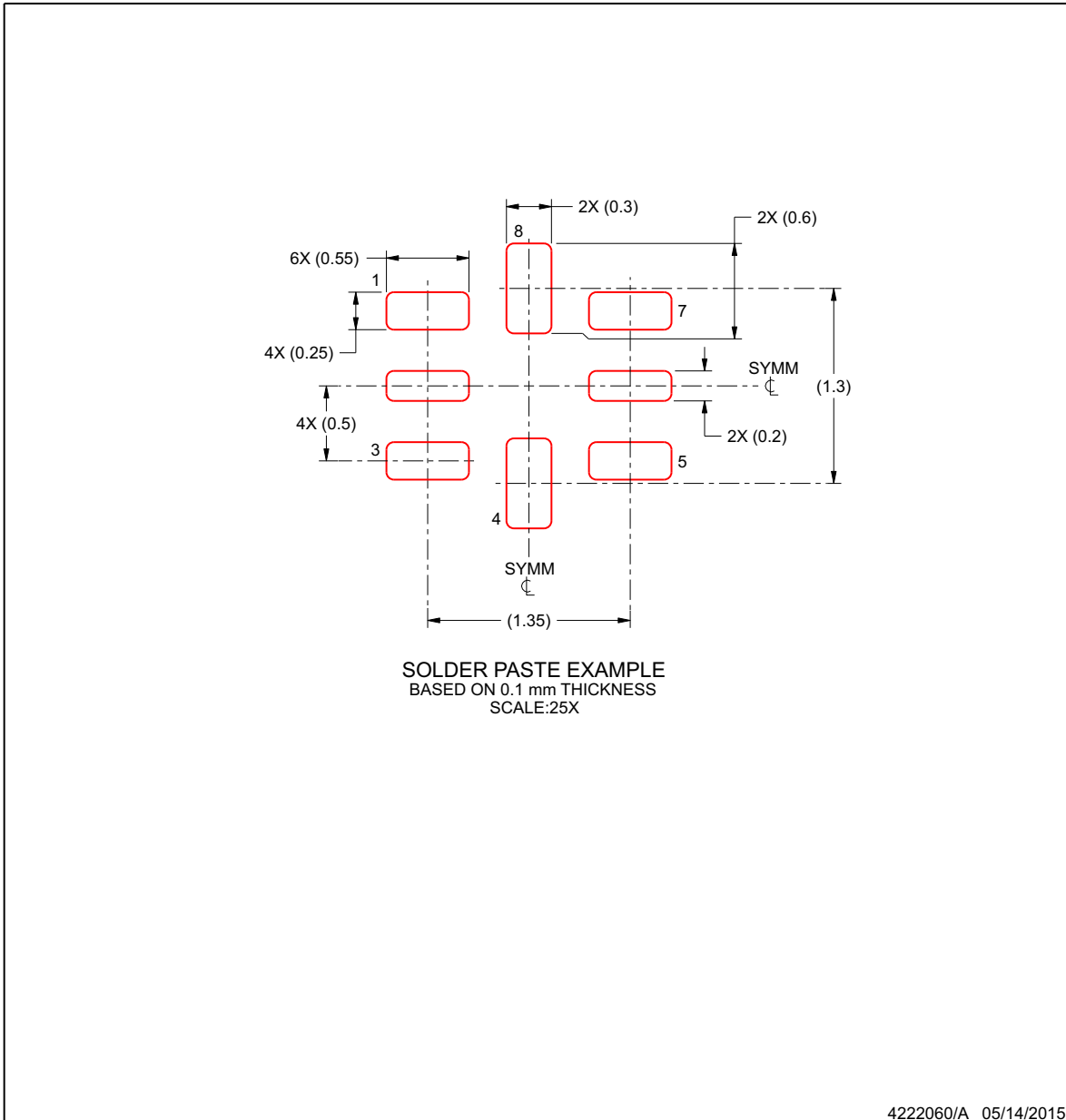
3. For more information, see Texas Instruments literature number SLUA271 ([www.ti.com/lit/slua271](http://www.ti.com/lit/slua271)).

**EXAMPLE STENCIL DESIGN**

**RUG0008A**

**X2QFN - 0.4 mm max height**

PLASTIC QUAD FLATPACK - NO LEAD



NOTES: (continued)

4. Laser cutting apertures with trapezoidal walls and rounded corners may offer better paste release. IPC-7525 may have alternate design recommendations.

**PACKAGING INFORMATION**

Orderable Device	Status (1)	Package Type	Package Drawing	Pins	Package Qty	Eco Plan (2)	Lead finish/ Ball material (6)	MSL Peak Temp (3)	Op Temp (°C)	Device Marking (4/5)	Samples
ADS7056IRUGR	ACTIVE	X2QFN	RUG	8	3000	RoHS & Green	NIPDAUAG	Level-1-260C-UNLIM	-40 to 125	5I	<b>Samples</b>

(1) The marketing status values are defined as follows:

**ACTIVE:** Product device recommended for new designs.

**LIFEBUY:** TI has announced that the device will be discontinued, and a lifetime-buy period is in effect.

**NRND:** Not recommended for new designs. Device is in production to support existing customers, but TI does not recommend using this part in a new design.

**PREVIEW:** Device has been announced but is not in production. Samples may or may not be available.

**OBSOLETE:** TI has discontinued the production of the device.

(2) **RoHS:** TI defines "RoHS" to mean semiconductor products that are compliant with the current EU RoHS requirements for all 10 RoHS substances, including the requirement that RoHS substance do not exceed 0.1% by weight in homogeneous materials. Where designed to be soldered at high temperatures, "RoHS" products are suitable for use in specified lead-free processes. TI may reference these types of products as "Pb-Free".

**RoHS Exempt:** TI defines "RoHS Exempt" to mean products that contain lead but are compliant with EU RoHS pursuant to a specific EU RoHS exemption.

**Green:** TI defines "Green" to mean the content of Chlorine (Cl) and Bromine (Br) based flame retardants meet JS709B low halogen requirements of <=1000ppm threshold. Antimony trioxide based flame retardants must also meet the <=1000ppm threshold requirement.

(3) MSL, Peak Temp. - The Moisture Sensitivity Level rating according to the JEDEC industry standard classifications, and peak solder temperature.

(4) There may be additional marking, which relates to the logo, the lot trace code information, or the environmental category on the device.

(5) Multiple Device Markings will be inside parentheses. Only one Device Marking contained in parentheses and separated by a "-" will appear on a device. If a line is indented then it is a continuation of the previous line and the two combined represent the entire Device Marking for that device.

(6) Lead finish/Ball material - Orderable Devices may have multiple material finish options. Finish options are separated by a vertical ruled line. Lead finish/Ball material values may wrap to two lines if the finish value exceeds the maximum column width.

**Important Information and Disclaimer:**The information provided on this page represents TI's knowledge and belief as of the date that it is provided. TI bases its knowledge and belief on information provided by third parties, and makes no representation or warranty as to the accuracy of such information. Efforts are underway to better integrate information from third parties. TI has taken and continues to take reasonable steps to provide representative and accurate information but may not have conducted destructive testing or chemical analysis on incoming materials and chemicals. TI and TI suppliers consider certain information to be proprietary, and thus CAS numbers and other limited information may not be available for release.

In no event shall TI's liability arising out of such information exceed the total purchase price of the TI part(s) at issue in this document sold by TI to Customer on an annual basis.

## 重要声明和免责声明

TI 均以“原样”提供技术性 & 可靠性数据（包括数据表）、设计资源（包括参考设计）、应用或其他设计建议、网络工具、安全信息和其他资源，不保证其中不含任何瑕疵，且不做任何明示或暗示的担保，包括但不限于对适销性、适合某特定用途或不侵犯任何第三方知识产权的暗示担保。

所述资源可供专业开发人员应用 TI 产品进行设计使用。您将对以下行为独自承担全部责任：(1) 针对您的应用选择合适的 TI 产品；(2) 设计、验证并测试您的应用；(3) 确保您的应用满足相应标准以及任何其他安全、安保或其他要求。所述资源如有变更，恕不另行通知。TI 对您使用所述资源的授权仅限于开发资源所涉及 TI 产品的相关应用。除此之外不得复制或展示所述资源，也不提供其它 TI 或任何第三方的知识产权授权许可。如因使用所述资源而产生任何索赔、赔偿、成本、损失及债务等，TI 对此概不负责，并且您须赔偿由此对 TI 及其代表造成的损害。

TI 所提供产品均受 TI 的销售条款 (<http://www.ti.com.cn/zh-cn/legal/termsofsale.html>) 以及 [ti.com.cn](http://www.ti.com.cn) 上或随附 TI 产品提供的其他可适用条款的约束。TI 提供所述资源并不扩展或以其他方式更改 TI 针对 TI 产品所发布的可适用的担保范围或担保免责声明。

邮寄地址：上海市浦东新区世纪大道 1568 号中建大厦 32 楼，邮政编码：200122  
Copyright © 2020 德州仪器半导体技术（上海）有限公司

## X-ON Electronics

Largest Supplier of Electrical and Electronic Components

*Click to view similar products for [Analog to Digital Converters - ADC category](#):*

*Click to view products by [Texas Instruments manufacturer](#):*

Other Similar products are found below :

[MCP37211-200I/TE](#) [AD9235BCPZRL7-40](#) [HT7316ARQZ](#) [ADS1100A3IDBVR](#) [HI1175JCB](#) [HI3-574AJN-5](#) [HI5714/4CB](#) [HI5746KCA](#)  
[HI5766KCAZ](#) [HI5766KCBZ](#) [ISOSD61TR](#) [ES7201](#) [AD7266BSUZ-REEL](#) [AD7708BRZ-REEL7](#) [CLM2543IDW](#) [CLM2543CDW](#)  
[MCP3004T-I/SL](#) [ADS7853IPWR](#) [GP9301BXI-F10K-D1V10-SH](#) [GP9301BXI-F10K-N-SH](#) [GP9101-F50-C1H1-SW](#) [GP9301BXI-F5K-N-SW](#)  
[GP9101-F10K-N-SW](#) [GP9301BXI-F4K-D1V10-SH](#) [GP9301BXI-F1K-L5H2-SH](#) [LTC2484IDD#TRPBF](#) [AD9245BCPZRL7-20](#) [SSP1120](#)  
[ADS8332IBRGER](#) [ADS8168IRHBR](#) [HT7705ARWZ](#) [ADS9224RIRHBR](#) [ADC101S051CIMF](#) [AD7779ACPZ-RL](#) [AD7714YRUZ-REEL](#)  
[AD7608BSTZ-RL](#) [LTC2447IUHF#PBF](#) [AD9235BRUZRL7-20](#) [AD7888ARUZ-REEL](#) [AD7606BBSTZ-RL](#) [AD7998BRUZ-1REEL](#)  
[AD7276ARMZ-REEL](#) [AD7712ARZ-REEL](#) [AD7997BRUZ-1REEL](#) [LTC2348ILX-16#PBF](#) [AD2S1210BSTZ-RL7](#) [AD7711ARZ-REEL7](#)  
[AD7865ASZ-1REEL](#) [AD7923BRUZ-REEL](#) [AD7495ARZ-REEL7](#)