

适用于快充/闪充式单节锂离子电池和锂聚合物电池且具有集成式高侧 NFET 驱动器的 BQ298xyz 电压、电流、温度保护器

1 特性

- 电压保护：
 - 过压 (OV) : $\pm 10\text{mV}$
 - 欠压 (UV) : $\pm 20\text{mV}$
- 电流保护：
 - 充电过流 (OCC) : $\pm 1\text{mV}$
 - 放电过流 (OCD) : $\pm 1\text{mV}$
 - 放电短路 (SCD) : $\pm 5\text{mV}$
- 温度保护：
 - 过热 (OT)
- 其他特性：
 - 支持低至 $1\text{m}\Omega$ 的检测电阻器 (R_{SNS})
 - 高侧保护
 - 高 V_{GS} FET 驱动器
 - 0V 充电 (仅限 BQ2980)
 - CTR 引脚实现对系统复位/关断的 FET 超驰控制
 - 通过外部 PTC 热敏电阻对 CTR 配置二次过热保护
- 电流消耗：
 - 正常模式 : $4\mu\text{A}$
 - 关断模式 : $0.1\mu\text{A}$ (最大值)
- 封装：
 - 8 引脚 X2QFN : $1.50 \times 1.50 \times 0.37\text{mm}$

2 应用

- 智能手机
- 平板电脑
- 移动电源
- 可穿戴设备

3 说明

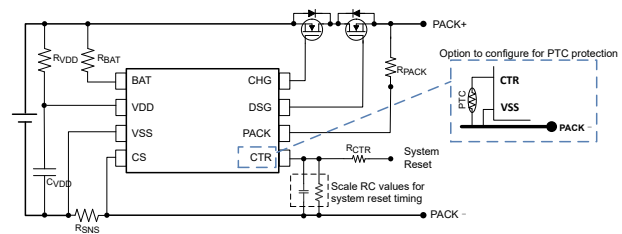
BQ298xyz 系列器件配备集成电荷泵 FET 驱动器，为 1 节锂离子电池和锂聚合物电池提供高侧初级电池保护，实现所有电池电压的 R_{dson} 一致性。为了获得更佳系统热性能，BQ298x 器件具有高精度，可使用低至 $1\text{m}\Omega$ 的感应电阻器。

通过主机控制对 BQ298x 器件中的 CTR 引脚进行配置，以覆盖 FET 驱动器，从而创建系统复位或关断功能。或者，也可以将 CTR 引脚配置为与外部正温度系数 (PTC) 热敏电阻连接，与内部模温传感器共同实现 FET 过热保护。BQ2980xy 器件支持零伏 (0V) 充电，而 BQ2982xy 器件禁用此功能。

器件信息

器件型号 ⁽¹⁾	封装	封装尺寸 (标称值)
BQ2980xy	X2QFN	$1.50\text{mm} \times 1.50\text{mm} \times 0.37\text{mm}$
BQ2982xy	X2QFN	$1.50\text{mm} \times 1.50\text{mm} \times 0.37\text{mm}$

(1) 如需了解所有可用封装，请参阅可订购产品附录和 [器件比较表](#)。



简化版原理图



Table of Contents

1 特性	1	8.4 Device Functional Modes.....	13
2 应用	1	9 Application and Implementation	14
3 说明	1	9.1 Application Information.....	14
4 Revision History	2	9.2 Typical Applications.....	17
5 Device Comparison Table	3	10 Power Supply Recommendations	20
6 Pin Configuration and Functions	3	11 Layout	20
7 Specifications	4	11.1 Layout Guidelines.....	20
7.1 Absolute Maximum Ratings.....	4	11.2 Layout Example.....	21
7.2 ESD Ratings.....	4	12 Device and Documentation Support	22
7.3 Recommended Operating Conditions.....	4	12.1 第三方产品免责声明.....	22
7.4 Thermal Information.....	4	12.2 接收文档更新通知.....	22
7.5 Electrical Characteristics.....	5	12.3 支持资源.....	22
7.6 Typical Characteristics.....	8	12.4 Trademarks.....	22
8 Detailed Description	9	12.5 Electrostatic Discharge Caution.....	22
8.1 Overview.....	9	12.6 术语表.....	22
8.2 Functional Block Diagram.....	10	13 Mechanical, Packaging, and Orderable Information	22
8.3 Feature Description.....	10		

4 Revision History

注：以前版本的页码可能与当前版本的页码不同

Changes from Revision I (November 2021) to Revision J (December 2022)	Page
• Added the BQ298217 device to the Device Comparison Table	3

Changes from Revision H (July 2021) to Revision I (November 2021)	Page
• Changed the Device Comparison Table	3

Changes from Revision G (May 2021) to Revision H (July 2021)	Page
• Changed the BQ298019 device from PRODUCT PREVIEW to Production Data in the Device Comparison Table	3

Changes from Revision F (December 2020) to Revision G (May 2021)	Page
• 删除了 说明 中 BQ2982 的“产品预发布”脚注.....	1
• Changed the Device Comparison Table	3
• Removed PRODUCT PREVIEW footnote from BQ2982xy in Thermal Information	4
• Clarified CHG driver at low VDD in Electrical Characteristics	5
• Clarified VDD condition in Charge and Discharge Driver	11
• Clarified ZVCHG in ZVCHG (0-V Charging)	13

5 Device Comparison Table

BQ298xyz Device Family (BQ2980xy with ZVCHG [0-V Charging] Enabled, BQ2982xy with ZVCHG Disabled)													
PART NUMBER	OVP (V)	OVP DELAY (s)	UVP (V)	UVP DELAY (ms)	OCC (mV)	OCC DELAY (ms)	OCD (mV)	OCD DELAY (ms)	SCD (mV)	SCD DELAY (µs)	OT (°C)	CTR/PTC Config	UV_Shut
BQ298000	4.475	1.25	2.600	144	- 8	8	8	8	20	250 Fixed	85	CTR	Enabled
BQ298006	4.475	1.00	2.500	20	- 12	16	14	16	40	250 Fixed	75	CTR	Enabled
BQ298009	4.500	1.00	2.900	20	- 18	8	30	16	40	250 Fixed	Disable	CTR	Enabled
BQ298010	4.500	1.00	2.900	20	- 10	8	20	16	30	250 Fixed	Disable	CTR	Enabled
BQ298012	4.300	1.00	2.750	144	- 4	8	14	20	30	250 Fixed	Disable	CTR	Enabled
BQ298015	4.440	1.25	2.800	144	- 8	8	8	8	20	250 Fixed	85	CTR	Enabled
BQ298018	4.400	1.00	2.700	144	- 8	8	20	48	60	250 Fixed	85	CTR	Enabled
BQ298019	4.425	1.25	2.800	144	- 30	48	8	48	40	250 Fixed	85	CTR	Enabled
BQ298215	4.440	1.25	2.800	144	- 8	8	8	8	20	250 Fixed	85	CTR	Enabled
BQ298216	4.300	1.00	2.500	144	- 4	8	14	20	30	250 Fixed	Disabled	CTR	Enabled
BQ298217	4.250	1.25	2.600	125	-36	8	60	16	200	250 Fixed	Disabled	CTR	Enabled

6 Pin Configuration and Functions

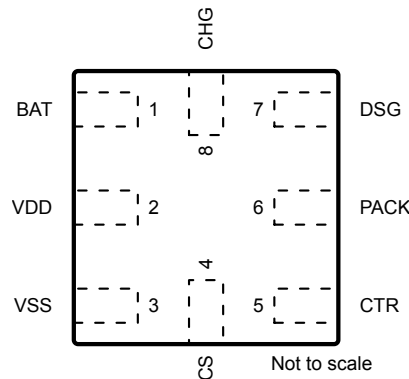


图 6-1. RUG Package 8-Pin X2QFN Top View

表 6-1. Pin Functions

NUMBER	NAME	TYPE	DESCRIPTION
1	BAT	I ⁽¹⁾	BAT voltage sensing input (connected to the battery side)
2	VDD	P	Supply voltage
3	VSS	—	Device ground
4	CS	I	Current sensing input (connect to PACK - side of the sense resistor)
5	CTR	I	Active high control pin to open FET drivers and shut down the device. It can be configured to enable an internal pull-up and connect the CTR pin to an external PTC for OT protection.
6	PACK	I	Pack voltage sensing pin (connected to the charger side, typically referred to as PACK+ and PACK -)
7	DSG	O	DSG FET driver
8	CHG	O	CHG FET driver

(1) I = input, O = output, P = power

7 Specifications

7.1 Absolute Maximum Ratings

over operating free-air temperature range (unless otherwise noted)⁽¹⁾

		MIN	MAX	UNIT
Supply voltage	VDD	- 0.3	6	V
Input voltage	PACK	- 0.3	24	V
	BAT	- 0.3	6	
	CS	- 0.3	0.3	
	CTR	- 0.3	5	
Output voltage	CHG	- 0.3	20	V
	DSG	- 0.3	20	
Storage temperature, T _{stg}		- 55	150	°C

- (1) Operation outside the Absolute Maximum Ratings may cause permanent device damage. Absolute Maximum Ratings do not imply functional operation of the device at these or any other conditions beyond those listed under Recommended Operating Conditions. If outside the Recommended Operating Conditions but within the Absolute Maximum Ratings, the device may not be fully functional, and this may affect device reliability, functionality, performance, and shorten the device lifetime.

7.2 ESD Ratings

		VALUE	UNIT
V _(ESD) Electrostatic discharge	Human-body model (HBM), per ANSI/ESDA/JEDEC JS-001 ⁽¹⁾	±1000	V
	Charged-device model (CDM), per JEDEC specification JESD22-C101 ⁽²⁾	±250	

- (1) JEDEC document JEP155 states that 500-V HBM allows safe manufacturing with a standard ESD control process.

- (2) JEDEC document JEP157 states that 250-V CDM allows safe manufacturing with a standard ESD control process.

7.3 Recommended Operating Conditions

over operating free-air temperature range (unless otherwise noted)

		MIN	MAX	UNIT
Supply voltage	VDD	1.5	5.5	V
Input voltage	PACK	0	20	V
	BAT	1.5	5.5	
	CS	- 0.25	0.25	
	CTR	0	5	
Output voltage	CHG	V _{SS}	VDD + VDD × A _{FETON}	V
	DSG	V _{SS}	VDD + VDD × A _{FETON}	
Operating temperature, T _A		- 40	85	°C

7.4 Thermal Information

THERMAL METRIC ⁽¹⁾		BQ2980xy/BQ2982xy	UNIT
		RUG (X2QFN)	
		8 PINS	
R _{θJA}	Junction-to-ambient thermal resistance	171.8	°C/W
R _{θJC(top)}	Junction-to-case (top) thermal resistance	75	°C/W
R _{θJB}	Junction-to-board thermal resistance	94.7	°C/W
ψ _{JT}	Junction-to-top characterization parameter	2.5	°C/W
ψ _{JB}	Junction-to-board characterization parameter	94.9	°C/W

- (1) For more information about traditional and new thermal metrics, see the [Semiconductor and IC Package Thermal Metrics](#) application report.

7.5 Electrical Characteristics

Typical values stated at $T_A = 25^\circ\text{C}$ and $V_{DD} = 3.6\text{ V}$. MIN/MAX values stated with $T_A = -40^\circ\text{C}$ to $+85^\circ\text{C}$ and $V_{DD} = 3$ to 5 V unless otherwise noted.

PARAMETER		TEST CONDITIONS	MIN	TYP	MAX	UNIT
SUPPLY CURRENT CONSUMPTION						
I_{NORMAL}	Normal mode supply current	V_{CHG} and $V_{\text{DSG}} > 5\text{ V}$, $C_{\text{LOAD}} = 8\text{ nF}$ (typical $20\text{ nA}^{(1)}$), $V_{\text{DD}} > 4.0\text{ V}$		5	8	μA
		V_{CHG} and $V_{\text{DSG}} > 5\text{ V}$, $C_{\text{LOAD}} = 8\text{ nF}$ (typical $20\text{ nA}^{(1)}$), $\text{UVP} < V_{\text{DD}} < 3.9\text{ V}$		4	6	μA
I_{FETOFF}	Supply current with both FET drivers off	$V_{\text{CHG}} = V_{\text{DSG}} \leq 0.2\text{ V}$		2	4	μA
I_{SHUT}	Shutdown current	$V_{\text{PACK}} < V_{\text{BAT}}$, $V_{\text{DD}} = 1.5\text{ V}$			0.1	μA
N-CH FET DRIVER, CHG and DSG						
A_{FETON}	FET driver gain factor, the V_{gs} voltage to FET	V_{CHG} or $V_{\text{DSG}} = V_{\text{DD}} + V_{\text{DD}} \times A_{\text{FETON}}$ $\text{UVP} < V_{\text{DD}} < 3.9\text{ V}$ $C_{\text{LOAD}} = 8\text{ nF}$	1.65	1.75	1.81	V/V
		V_{CHG} or $V_{\text{DSG}} = V_{\text{DD}} + V_{\text{DD}} \times A_{\text{FETON}}$ $V_{\text{DD}} > 4.0\text{ V}$ $C_{\text{LOAD}} = 8\text{ nF}$	1.45	1.55	1.68	V/V
V_{FETOFF}	FET driver off output voltage	$V_{\text{FETOFF}} = V_{\text{CHG}} - V_{\text{SS}}$ or $V_{\text{DSG}} - V_{\text{SS}}$ $C_{\text{LOAD}} = 8\text{ nF}$			0.2	V
$V_{\text{DRIVER_SHUT}}$	FET driver charge pump shut down voltage	Charge pump enabled when V_{DD} rises to $V_{\text{DRIVER_SHUT}}$	1.95	2	2.1	V
$V_{\text{DRIVER_SHUT_HYS}}$	FET driver charge pump shut down voltage hysteresis	Charge pump disabled when V_{DD} falls to $V_{\text{DRIVER_SHUT}} - V_{\text{DRIVER_SHUT_HYS}}$		50		mV
$t_{\text{rise}}^{(2)}$	FET driver rise time	$C_{\text{LOAD}} = 8\text{ nF}$, V_{CHG} or V_{DSG} rises from V_{DD} to $(2 \times V_{\text{DD}})$		400	800	μs
t_{fall}	FET driver fall time	$C_{\text{LOAD}} = 8\text{ nF}$, V_{CHG} or V_{DSG} fall to V_{FETOFF}		50	200	μs
I_{LOAD}	FET driver maximum loading				10	μA
VOLTAGE PROTECTION						
V_{OVP}	Overvoltage detection range	Factory configured, 50-mV step	3750		5200	mV
$V_{\text{OVP_ACC}}$	Overvoltage detection accuracy	$T_A = 25^\circ\text{C}$, $\text{CHG/DSG } C_{\text{LOAD}} < 1\text{ }\mu\text{A}$	- 10		10	mV
		$T_A = 0^\circ\text{C}$ to 60°C , $\text{CHG/DSG } C_{\text{LOAD}} < 1\text{ }\mu\text{A}$	- 15		15	
		$T_A = -40^\circ\text{C}$ to $+85^\circ\text{C}$, $\text{CHG/DSG } C_{\text{LOAD}} < 1\text{ }\mu\text{A}$	- 25		25	
$V_{\text{OVP_HYS}}$	Overvoltage release hysteresis voltage	Fixed at 200 mV	150	200	250	mV
V_{UVP}	Undervoltage detection range	Factory configured, 50-mV step	2200		3000	mV
$V_{\text{UVP_ACC}}$	Undervoltage detection accuracy	$T_A = 25^\circ\text{C}$	- 20		20	mV
		$T_A = 0^\circ\text{C}$ to 60°C	- 30		30	
		$T_A = -40^\circ\text{C}$ to $+85^\circ\text{C}$	- 50		50	
$V_{\text{UVP_HYS}}$	Undervoltage release hysteresis voltage	Fixed at 200 mV	150	200	250	mV
$R_{\text{PACK-VSS}}$	Resistance between PACK and VSS during UV fault		100	300	550	$\text{k}\Omega$
CURRENT PROTECTION						
V_{OC}	Overcurrent in charge (OCC) and discharge (OCD) range	Factory configured, 2-mV step. For OCC, the range is negative (min = - 64, max = - 4).	4		64	mV

7.5 Electrical Characteristics (continued)

Typical values stated at $T_A = 25^\circ\text{C}$ and $V_{DD} = 3.6\text{ V}$. MIN/MAX values stated with $T_A = -40^\circ\text{C}$ to $+85^\circ\text{C}$ and $V_{DD} = 3$ to 5 V unless otherwise noted.

PARAMETER		TEST CONDITIONS	MIN	TYP	MAX	UNIT	
V_{SCD}	Short circuit in discharge threshold	Factory configured		10		mV	
				20			
				30			
				40			
				60			
				120			
				200			
V_{OC_ACC}	Overcurrent (OCC, OCD1, OCD2, SCD) detection accuracy	< 20 mV	- 1		1	mV	
		20 to approximately 55 mV	- 3	2	3		
		56 to approximately 100 mV	- 5		5		
		> 100 mV	- 12		12		
$I_{PACK-VDD}$	Current sink between PACK and VDD during current fault. Used for load removal detection		8		24	μA	
I_{OCD_REC}	OCD, SCD recovery detection current	Sum of current from VDD and BAT during OCD or SCD fault			55	μA	
V_{OC_REL}	OCC fault release threshold	$(V_{BAT} - V_{PACK})$		100		mV	
	OCD, SCD fault release threshold	$(V_{PACK} - V_{BAT})$		- 400		mV	
OVERTEMPERATURE PROTECTION⁽²⁾							
T_{OT}	Internal overtemperature threshold	Factory configured		75		$^\circ\text{C}$	
				85			
T_{OT_ACC}	Internal overtemperature detection accuracy		- 10		10	$^\circ\text{C}$	
T_{OT_HYS}	Internal overtemperature hysteresis		8	15	22	$^\circ\text{C}$	
PROTECTION DELAY⁽²⁾							
t_{OVP}	Overvoltage detection delay	Factory configured		0.2	0.25	0.3	s
				0.8	1	1.2	
				1	1.25	1.5	
				3.6	4.5	5.4	
t_{UVP}	Undervoltage detection delay	Factory configured		16	20	24	ms
				76.8	96	115.2	
				100	125	150	
				115.2	144	172.8	
t_{OC}	Overcurrent (OCC, OCD) detection delay	Factory configured		5.6	8	10.5	ms
				12.4	16	19.6	
				16	20	24	
				38.4	48	57.6	
t_{SCD}	Short circuit discharge detection delay	Fixed configuration	125	250	375	μs	
t_{OT}	Overtemperature detection delay	Fixed configuration	3.6	4.5	5.4	s	
FET OVERRIDE/DEVICE SHUTDOWN CONTROL, CTR							
V_{IH}	High-level input		1			V	

7.5 Electrical Characteristics (continued)

Typical values stated at $T_A = 25^\circ\text{C}$ and $V_{DD} = 3.6\text{ V}$. MIN/MAX values stated with $T_A = -40^\circ\text{C}$ to $+85^\circ\text{C}$ and $V_{DD} = 3$ to 5 V unless otherwise noted.

PARAMETER		TEST CONDITIONS	MIN	TYP	MAX	UNIT
V_{IL}	Low-level input				0.4	V
V_{HYS}	Hysteresis for V_{IH} and V_{IL}		200			mV
R_{PULL_UP}	Effective Internal pull-up resistance (to use with external PTC)	Factory configured if enabled		1.5		M Ω
				5		
				8		
ZVCHG (0-V Charging)						
V_{0CHGR}	Charger voltage requires to start 0-V charging	BQ2980xy only (ZVCHG is disabled in BQ2982xy). The CHG driver becomes high impedance when $V_{DD} < V_{0INH}$.	2			V
V_{0INH}	Battery voltage that inhibits 0-V charging				1	V

- (1) I_{NORMAL} is impacted by the efficiency of the charge pump driving the CHG and DSG FETs. An ultra-low-gate-leakage FET may be required. I_{NORMAL} can be significantly higher with FETs with typical I_{GSS} values of $10\ \mu\text{A}$. See [Selection of Power FET](#) for more details.
- (2) Specified by design.

7.6 Typical Characteristics

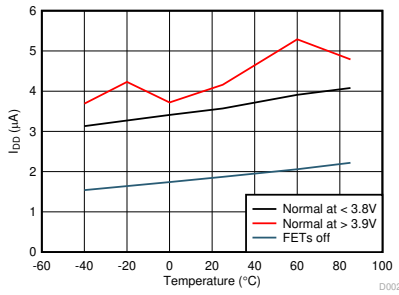


图 7-1. Normal and FET Off Current Across Temperature

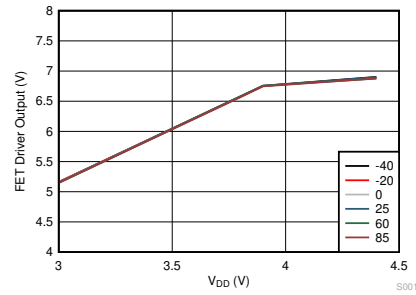


图 7-2. CHG and DSG Output (Loading with an 8-nF Capacitor on CHG and DSG) Across VDD

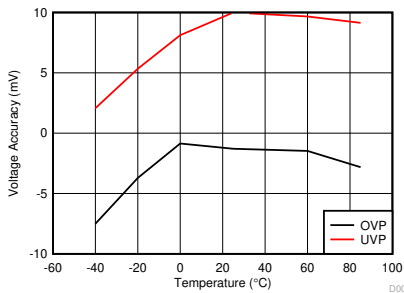


图 7-3. Overvoltage and Undervoltage Accuracy Across Temperature

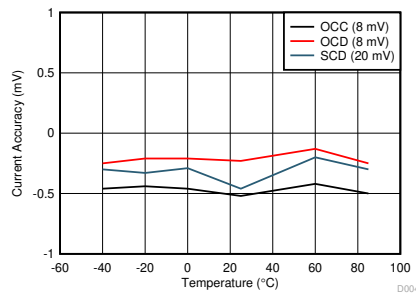


图 7-4. Overcurrent Accuracy Across Temperature

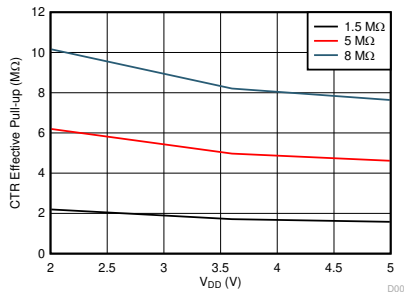


图 7-5. CTR Internal Pull-Up Resistor (if Configured) Across VDD

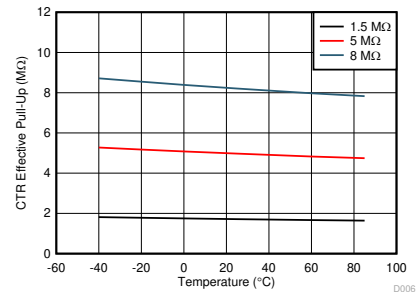


图 7-6. CTR Internal Pull-Up Resistor (if Configured) Across Temperature (VDD at 3.6 V)

8 Detailed Description

8.1 Overview

The BQ298xyz devices are high-side single-cell protectors designed to improve thermal performance by reducing power dissipation across the protection FETs. This is achieved with high-side protection with a built-in charge pump to provide higher V_{GS} to the FET gate voltage to reduce FET $R_{DS(on)}$. Additionally, the device supports as low as a 1-m Ω sense resistor with ± 1 -mV accuracy, resulting in lower heat dissipation at the sense resistor without compromising current accuracy.

The BQ298x device implements a CTR pin that allows external control to open the power FETs, as well as shut down the device for low power storage. Optionally, the CTR pin can be configured to connect to a PTC and be used for overtemperature protection.

8.1.1 Device Configurability

表 8-1 provides guidance on possible configurations of the BQ2980 and BQ2982 devices.

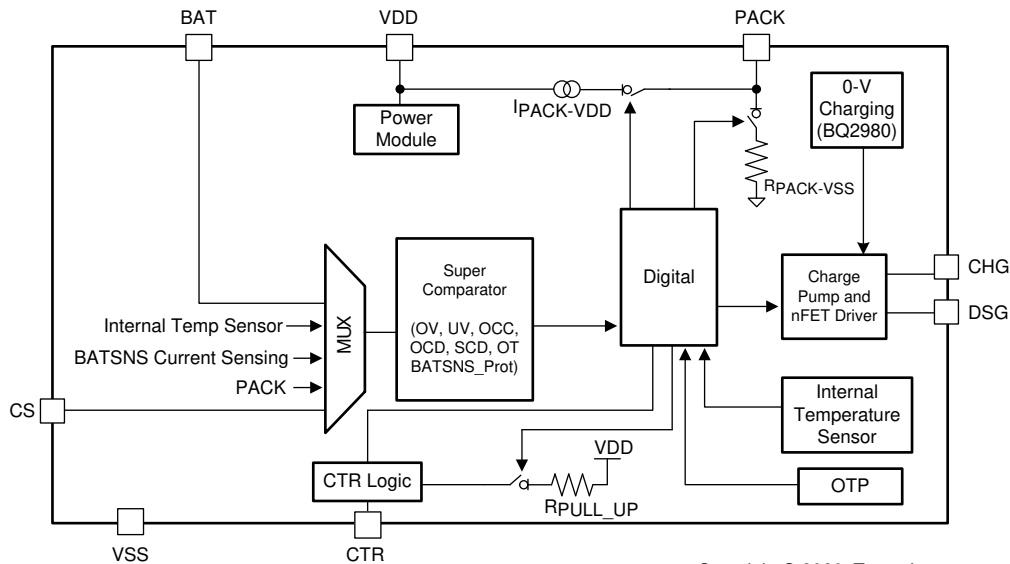
备注

Texas Instruments preprograms devices: Devices are not intended to be further customized by the customer.

表 8-1. Device Configuration Range

FAULT	RANGE	STEP SIZE	UNIT	DELAY SELECTION	CHG, DSG STATUS	RECOVERY DESCRIPTION (Non-Configurable)
OV Overvoltage	3750 - 5200	50	mV	0.25, 1, 1.25, 4.5 s	CHG OFF	(200-mV hysteresis AND charger removal) OR (below OV threshold AND discharge load is detected)
UV Undervoltage	2200 - 3000	50	mV	20, 96, 125, 144 ms	Option 1: UV_SHUT enable The device goes into SHUTDOWN.	(200-mV hysteresis AND discharge load is removed before device shuts down) OR (above UV threshold AND charger connection)
					Option 2: UV_SHUT disable DSG off, power consumption drops to I_{FETOFF} , and the device does not shut down.	(200-mV hysteresis) OR (above UV threshold AND charger connection)
OCC Overcurrent in Charge	-64 - -4	2	mV	8, 16, 20, 48 ms	CHG OFF	Detect a charger removal ($V_{BAT} - V_{PACK}$) > 100-mV typical
OCD Overcurrent in Discharge	4 - 64	2	mV		DSG OFF	Detect a discharge load removal ($V_{BAT} - V_{PACK}$) < 400-mV typical
SCD Short circuit in discharge	10, 20, 30, 40, 60, 120, 200	—	mV	Fixed 250 μ s		
OT Overtemperature (through internal temperature sensor)	75, 85	—	$^{\circ}$ C	Fixed 4.5 s	CHG and DSG OFF	Fixed 15 $^{\circ}$ C hysteresis
OT (PTC) Internal pull-up resistor for OT with PTC (through external PTC on CTR pin)	1.5, 5, 8	—	M Ω	—	CHG and DSG OFF	Voltage on CTR pin drops below CTR V_{IL} level

8.2 Functional Block Diagram



Copyright © 2020, Texas Instruments Incorporated

8.3 Feature Description

8.3.1 Overvoltage (OV) Status

The device detects an OV fault when $V_{BAT} > V_{OVP}$ (OV threshold) during charging. If this condition exists for longer than the OV delay (t_{OVP}), the CHG output is driven to V_{FETOFF} to turn off the CHG FET.

The OV status is released and the CHG output rises to HIGH, that is, $V_{CHG} = VDD \times (1 + A_{FETON})$, if one of the following conditions occurs:

- When V_{BAT} is $< (V_{OVP} - V_{OVP_HYS})$ and the charger is removed or
- When V_{BAT} is $< V_{OVP}$ and a discharge load is detected.

The device detects the charger is removed if $(V_{PACK} - V_{BAT}) < 100\text{-mV}$ typical. To detect if a load is attached, the device checks if $(V_{BAT} - V_{PACK}) > 400\text{-mV}$ typical.

8.3.2 Undervoltage (UV) Status

The device detects a UV fault when the battery voltage measured is below the UV threshold (V_{UVP}). If this condition exists for longer than the UV delay (t_{UVP}), the DSG output is driven to V_{FETOFF} to turn off the DSG FET.

The device includes a UV_SHUT option which may be enabled during factory configuration. If this option is enabled, during the UV fault state the device goes into SHUTDOWN mode to preserve the battery. In SHUTDOWN mode, the BQ2980 will drive the CHG output to the PACK voltage, putting the device into ZVCHG mode (the BQ2982 does not enable this ZVCHG mode). That means, the CHG FET can be turned on if a charger is connected and both VDD and PACK meet the ZVCHG turn-on conditions (see [§ 8.3.9](#) for more details). The PACK pin is internally pulled to VSS through $R_{PACK-VSS}$. This is to determine if the charger is disconnected on the PACK+ terminal before shutting down the device. It is also to ensure the device does not falsely wake up from SHUTDOWN mode due to noise.

The UV status is released and the DSG output rises to HIGH, that is, $V_{DSG} = VDD \times (1 + A_{FETON})$, if one of the following conditions occurs:

- When V_{BAT} is $> (V_{UVP} + V_{UVP_HYS})$ and the discharge load is removed or
- When V_{BAT} is $> V_{UVP}$ and a charger is connected.

The device detects that the charger is attached if $(V_{PACK} - V_{BAT}) > 700\text{-mV}$ typical. To detect for load removal, the device checks if $(V_{BAT} - V_{PACK}) < 400\text{-mV}$ typical.

If the UV_SHUT option is disabled, during a UV fault DSG is turned off and the device does not go into SHUTDOWN. The power consumption is reduced to I_{FETOFF} . The PACK pin is still internally pulled to VSS through $R_{PACK-VSS}$. To recover UV with this option, one of the following conditions must occur:

- When V_{BAT} is $> (V_{UVP} + V_{UVP_HYS})$ or
- When V_{BAT} is $> V_{UVP}$ and a charger is connected.

8.3.3 Overcurrent in Charge (OCC) Status

The BQ298xyz device detects a current fault by monitoring the voltage drop across an external sense resistor (R_{SNS}) between the CS and VSS pins. The device detects an OCC fault when $(V_{CS} - VSS) < OCC$ threshold ($-V_{OC}$). If this condition exists for longer than the OCC delay (t_{OC}), the CHG output is driven to V_{FETOFF} to turn off the CHG FET.

The OCC status is released and the CHG output rises to HIGH, that is $V_{CHG} = VDD \times (1 + A_{FETON})$, if $(V_{BAT} - V_{PACK}) > 100$ mV, indicating a charger is removed.

8.3.4 Overcurrent in Discharge (OCD) and Short Circuit in Discharge (SCD) Status

The BQ298xyz device detects a current fault by monitoring the voltage drop across an external sense resistor (R_{SNS}) between the CS and VSS pins. The device applies the same method to detect OCD and SCD faults and applies the same recovery scheme to release the OCD and SCD faults.

The device detects an OCD fault when $(V_{CS} - VSS) > OCD$ threshold ($+V_{OC}$). If this condition exists for longer than the OCD delay (t_{OC}), the DSG output is driven to V_{FETOFF} to turn off the DSG FET. The SCD detection is similar to OCD, but uses the SCD threshold (V_{SCD}) and SCD delay (t_{SCD}) time.

During an OCD or SCD state, the device turns on the recovery detection circuit. An internal current sink ($I_{PACK - VDD}$) is connected between the PACK and VDD pins, and the device consumes I_{OC_REC} during the OCD and SCD fault until recovery is detected.

The OCD or SCD status is released and the DSG output rises to HIGH, that is $V_{DSG} = VDD \times (1 + A_{FETON})$, if $(V_{BAT} - V_{PACK}) < 400$ mV, indicating a discharge load is removed.

8.3.5 Overtemperature (OT) Status

The device has a built-in internal temperature sensor for OT protection. The sensor detects OT when the internal temperature measurement is above the internal overtemperature threshold (T_{OT}). If this condition exists for longer than the OT delay (t_{OT}), both CHG and DSG outputs are driven to V_{FETOFF} to turn off the CHG and DSG FETs.

The OT state is released and the CHG and DSG outputs rise to HIGH, that is V_{CHG} and $V_{DSG} = VDD \times (1 + A_{FETON})$, if the internal temperature measurement falls below $(T_{OT} - T_{OT_HYS})$.

8.3.6 Charge and Discharge Driver

The device has a built-in charge pump to support high-side protection using an NFET. When the drivers are on, the CHG and DSG pins are driven to the $VDD \times (1 + A_{FETON})$ voltage level. This means the V_{GS} across the CHG or DSG FET is about $(VDD \times A_{FETON})$. When the drivers are turned off and $VDD \geq V_{0INH}$, the CHG and/or DSG output is driven to V_{FETOFF} .

The charge pump requires $VDD > V_{DRIVER_SHUT}$ to operate. When VDD falls below $V_{DRIVER_SHUT} - V_{DRIVER_SHUT_HYS}$, the DSG output is off. The CHG output can be turned on in BQ2980 if the ZVCHG charging condition is met. See [# 8.3.9](#) for more details.

8.3.7 CTR for FET Override and Device Shutdown

The CTR pin is an active-high input pin, which can be controlled by the host system to turn off both CHG and DSG outputs momentarily to reset the system, shut down the system for low-power storage, or as a necessary shutdown if the host detects a critical system error.

The CTR pin uses a 4.5-s timer (same specification tolerance as the t_{OVP} delay 4.5-s option) to differentiate a reset and shutdown signal. CHG and DSG are off when $V_{CTR} > CTR$ V_{IH} for > 200 μ s. Counting from the start of

$V_{CTR} > V_{IH}$, if V_{CTR} drops below V_{IL} within 3.6 s, CHG and DSG simply turn back on. If CTR remains HIGH for > 5.4 s, the device enters SHUTDOWN mode.

With this timing control, the system designer can use an RC circuit to implement either a host-controlled power-on-reset or a system shutdown.

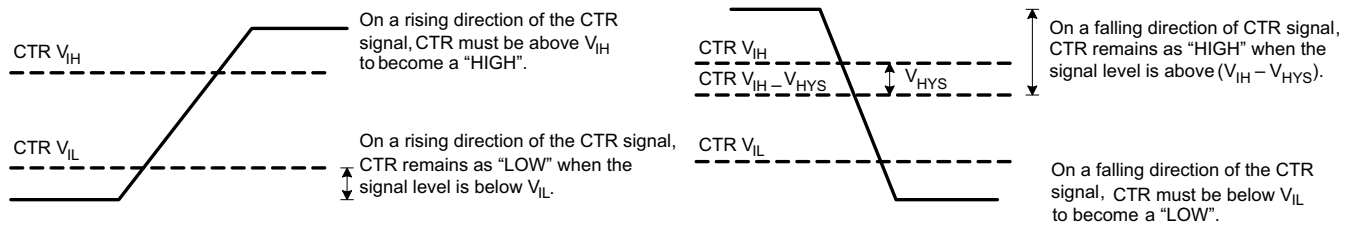


图 8-1. CTR Level in Rising and Falling Direction

备注

- CTR shuts down the device only when V_{CTR} is HIGH for > 5.4 s AND when there is no OV or OT fault present.
- The CTR V_{IH} level is the voltage level at which the CTR pin is considered HIGH in the positive direction as voltage increases. There is a minimum hysteresis designed into the logic level; therefore, as voltage decreases, CTR is considered HIGH at the $(V_{IH} - V_{HYS})$ level.
- The FET override and the shutdown functions are not available if the CTR pull-up is enabled. See 节 8.3.8 for details.

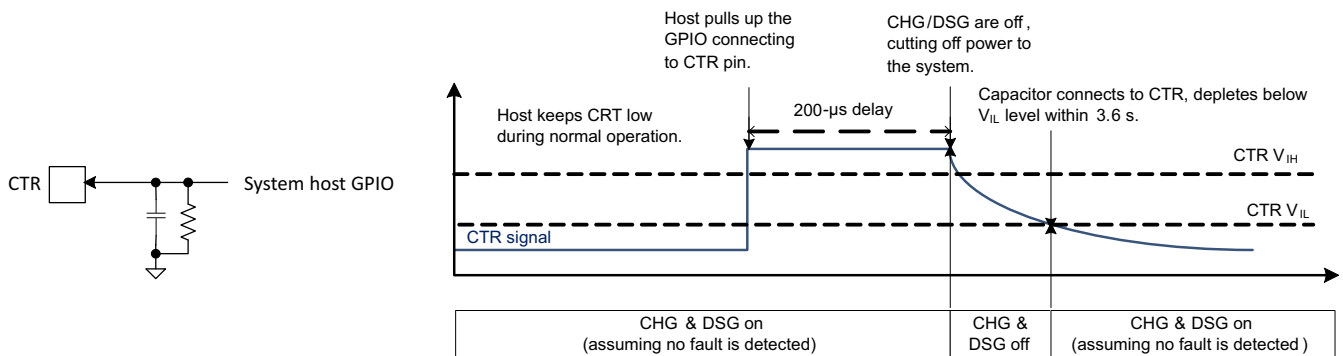


图 8-2. System Reset Function Implementation

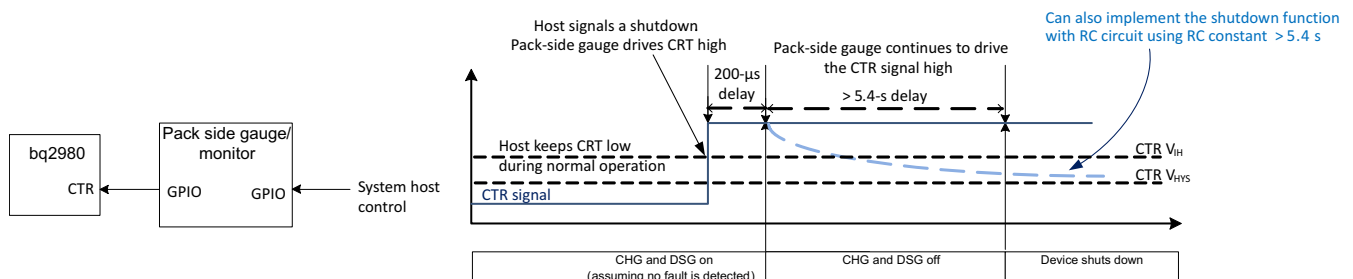
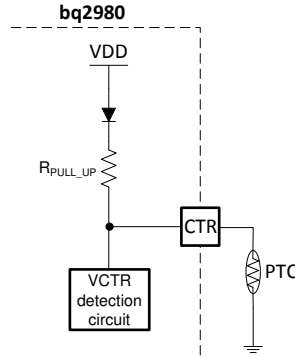


图 8-3. Potential System- Controlled Shutdown Implementation

8.3.8 CTR for PTC Connection

If any of the CTR pull-up resistors are selected, the device assumes a PTC is connected to the CTR pin. There are three internal pull-up options: 1.5 MΩ, 5 MΩ, or 8 MΩ. The internal pull-up allows a PTC to be connected between the CTR pin and VSS. This turns the CTR pin to detect an overtemperature fault through an external PTC, as shown in 图 8-4.



Copyright © 2017, Texas Instruments Incorporated

图 8-4. Connecting PTC to CTR Pin for Overtemperature Protection

When any of the CTR internal pull-up resistors are selected (factory configured), an active-high signal ($V_{CTR} > CTR V_{IH}$) on CTR turns off both CHG and DSG outputs, but it does not shut down the device.

As temperature goes up, the PTC resistance increases and when the voltage divided by the internal R_{PULL_UP} and the R_{PTC} is $> CTR V_{IH}$, the CHG and DSG outputs are turned off. As temperature falls and the PTC resistance decreases, the CHG and DSG outputs turn back on when ($V_{CTR} < CTR V_{IL}$).

8.3.9 ZVCHG (0-V Charging)

ZVCHG (0-V charging) is a special function that allows charging a severely depleted battery that is below the FET driver charge pump shutdown voltage (V_{DRIVER_SHUT}). The BQ2980 has ZVCHG enabled, while the BQ2982 device has it disabled.

In BQ2980, if $V_{BAT} > V_{0INH}$ and $VDD < V_{DRIVER_SHUT} - V_{DRIVER_SHUT_HYS}$ and the charger voltage at PACK+ is $> V_{0CHGR}$, then the CHG output will be driven to the voltage of the PACK pin, allowing charging. ZVCHG mode in the BQ2980 is exited when $V_{BAT} > V_{DRIVER_SHUT}$, at which point the charge pump is enabled, and CHG transitions to being driven by the charge pump. In the BQ2982, ZVCHG is entirely disabled, so charging is disabled whenever $VDD < V_{DRIVER_SHUT} - V_{DRIVER_SHUT_HYS}$.

For BQ2980 and BQ2982, when the voltage on VDD is below V_{0INH} , the CHG output becomes high impedance, and any leakage current flowing through the CHG FET may cause this voltage to rise and reenabling charging. If this is undesired, a high impedance resistor can be included between the CHG FET gate and source to overcome any leakage and ensure the FET remains disabled in this case. This resistance should be as high as possible while still ensuring the FET is disabled, since it will increase the device operating current when the CHG driver is enabled. Because gate leakage is typically extremely low, a gate-source resistance of $50\text{ M}\Omega$ to $100\text{ M}\Omega$ may be sufficient to overcome the leakage.

8.4 Device Functional Modes

8.4.1 Power Modes

8.4.1.1 Power-On-Reset (POR)

The device powers up in SHUTDOWN mode, assuming a UV fault. To enter NORMAL mode, both V_{BAT} and V_{PACK} must meet the UV recovery requirement. In summary, if UV_SHUT is enabled, ($V_{BAT} > V_{UVVP}$) and V_{PACK} detecting a charger connection are required to enter NORMAL mode. If UV_SHUT is disabled, ($V_{BAT} > V_{UVVP}$) and ($V_{PACK} >$ the minimum value of VDD) are required to enter NORMAL mode. See [§ 8.4.1.4](#) for more details.

During the ZVCHG operation mode (only available in BQ2980), the CHG pin is internally connected to PACK when the device is in SHUTDOWN mode. If both V_{BAT} and V_{PACK} meet the ZVCHG condition (see [§ 8.3.9](#) for details), CHG is on, even if UV recovery conditions are not met.

8.4.1.2 NORMAL Mode

In NORMAL mode, all configured protections are active. No fault is detected, and both CHG and DSG drivers are enabled. For the BQ298x device, if none of the internal CTR pull-up resistor options is selected, V_{CTR} must be $< CTR V_{IL}$ for CHG and DSG to be on.

8.4.1.3 FAULT Mode

If a protection fault is detected, the device enters FAULT mode. In this mode, the CHG or DSG driver is pulled to V_{FETOFF} to turn off the CHG or DSG FETs.

8.4.1.4 SHUTDOWN Mode

This mode is the lowest power-consumption state of the device, with both CHG and DSG turned off.

The two conditions to enter SHUTDOWN mode are as follows:

- Undervoltage (UV): If the device is configured with UV_SHUT enabled, when UV protection is triggered, the device enters SHUTDOWN mode. See [§ 8.3.2](#) for details.
- CTR control: When CTR is HIGH for > 5.4 s, the device enters SHUTDOWN mode. See [§ 8.3.7](#) for details.

备注

If the internal CTR pull-up is enabled, a HIGH at CTR does not activate the shutdown process. This is because when the internal pull-up is enabled, the CTR pin is configured for use with an external PTC for overtemperature protection, and the CTR functionality is disabled.

9 Application and Implementation

Application Information Disclaimer

备注

Information in the following applications sections is not part of the TI component specification, and TI does not warrant its accuracy or completeness. TI's customers are responsible for determining suitability of components for their purposes, as well as validating and testing their design implementation to confirm system functionality.

9.1 Application Information

9.1.1 Test Circuits for Device Evaluation

1. Test Power Consumption (Test Circuit 1)

This setup is suitable to test for device power consumption at different power modes. VS1 is a voltage source that simulates a battery cell. VS2 is used to simulate a charger and load under different power mode conditions.

I1 is a current meter that monitors the device power consumption at different modes. I2 is a current meter that monitors the PACK pin current. The I_{PACK} current is insignificant in most operation modes. If a charger is connected (VS2 has a positive voltage), but the device is still in SHUTDOWN mode, I2 reflects the I_{PACK} current drawing from the charger due to the internal $R_{PACK-VSS}$ resistor.

2. Test CHG and DSG Voltage and Status (Test Circuit 2)

This setup is suitable to test V_{CHG} and V_{DSG} levels or monitor the CHG and DSG status at different operation modes. It is not suitable to measure power consumption of the device, because the meters (or scope probes) connected to CHG and/or DSG increase the charge pump loading beyond the normal application condition. Therefore, the current consumption of the device under this setup is greatly increased.

3. Test for Fault Protection (Test Circuit 3)

This setup is suitable to test OV, UV, OCD, OCD, and SCD protections.

Voltage protection:

Adjust VS1 to simulation OV and UV. TI recommends having 0 V on VS3 during the voltage test to avoid generating multiple faults. Adjust VS2 to simulate the charger/load connection or disconnection. Combine with test circuit 1 to monitor power consumption, or combine with test circuit 2 to monitor CHG and DSG status.

Test example for OV fault and OV recovery by charger removal:

- a. Adjust both VS1 and VS2 > OVP threshold.
- b. As the device triggers for OVP and CHG is open, VS2 can be set to a maximum expected charger voltage as if in an actual application when CHG is open, and charger voltage may regulate to the maximum setting.
- c. To test for OV recovery, adjust VS1 below ($V_{OVP} - V_{OVP_Hys}$). Reduce the VS2 voltage so that $(VS2 - VS1) < 100\text{ mV}$ (to emulate removal of a charger).

Current protection:

Similar to the voltage protection test, adjust VS3 to simulate OCC, OCD, and SCD thresholds. Use VS2 to simulate a charger/load status. TI recommends setting VS1 to the normal level to avoid triggering multiple faults.

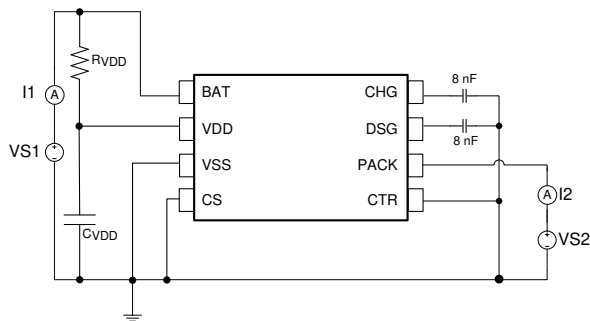
备注

It is normal to observe CHG or DSG flipping on and off if VS2 is not set up properly to simulate a charger or load connection/disconnection, especially when the voltage source is used to simulate fault conditions. It is because an improper VS2 setting may mislead the device to sense a recovery condition immediately after a fault protection is triggered.

4. Test for CTR Control (Test Circuit 4)

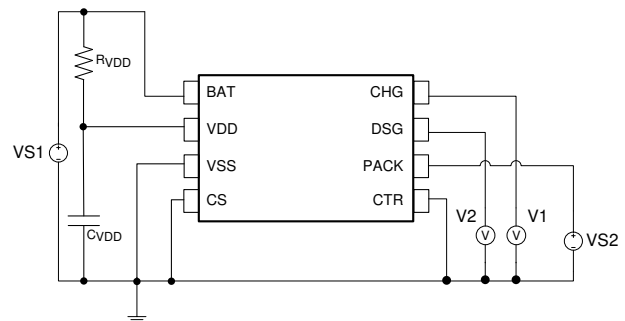
This setup is suitable to test for CTR control. Adjust VS4 above or below the CTR V_{IH} or V_{IL} level. Combine with test circuit 1 to observe the power consumption, or combine with test circuit 2 to observe the CHG and DSG status.

9.1.2 Test Circuit Diagrams



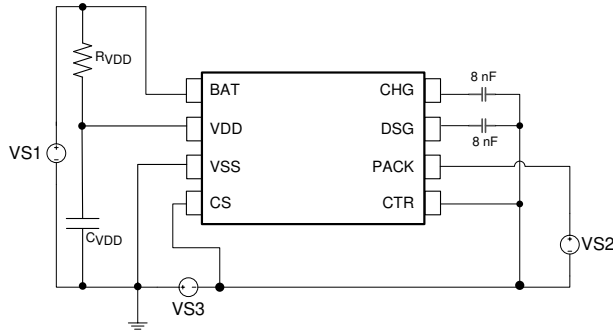
Copyright © 2017, Texas Instruments Incorporated

图 9-1. Test Circuit 1



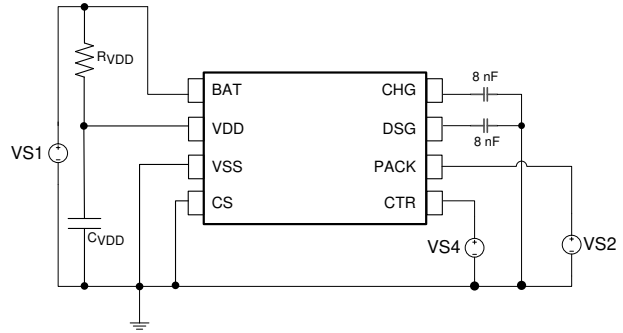
Copyright © 2017, Texas Instruments Incorporated

图 9-2. Test Circuit 2



Copyright © 2017, Texas Instruments Incorporated

图 9-3. Test Circuit 3



Copyright © 2017, Texas Instruments Incorporated

图 9-4. Test Circuit 4

9.1.3 Using CTR as FET Driver On/Off Control

Normally, CTR is not designed as a purely on/off control of the FET drivers, because there is a timing constriction on the pin. The following is a list of workarounds to implement the CTR as an on/off switch to the FET drivers.

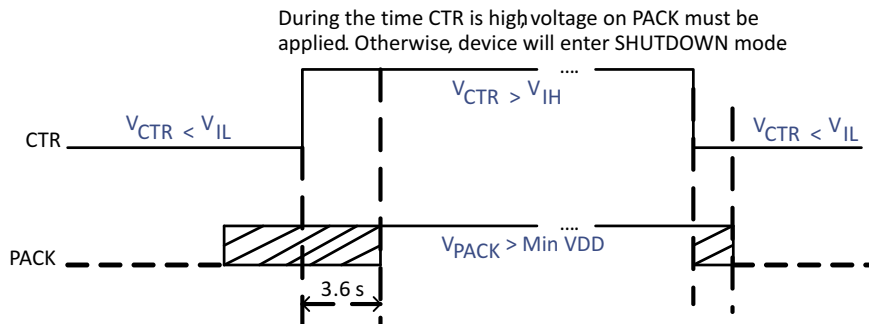
1. *Switching CTR from high to low with less than 3.6 s:*

If the application only requires turning off the FET drivers in < 3.6 s, then the CTR pin can simply be viewed as an on/off switch of the FET drivers. That means, after the CTR pin is pulled high, the application will pull the CTR pin back low in < 3.6 s.

2. *Applying a voltage on PACK to prevent the device from entering SHUTDOWN mode:*

When the CTR pin is pulled high for > 3.6 s, there is a chance the device may go into SHUTDOWN mode. If the CTR pin is high for > 5.4 s, the device will be in SHUTDOWN mode. For applications that may use the CTR to keep the FET drivers off for > 3.6 s, the workaround is to keep V_{PACK} within the VDD recommended operating range while the CTR is pulled high to prevent the device from entering SHUTDOWN mode. The device is forced to stay in NORMAL mode with this method.

Because the PACK pin is also connected to the PACK terminal, the system designer should have a blocking diode to protect the GPIO (that controls the CTR pin) from high voltage.



When CTR is pulled high (FETs off), the system ensures:

1. Voltage on PACK is applied before pulling CTR high or
2. Voltage on PACK is applied within 3.6 s after CTR is pulled high.

When CTR is pulled low (FET on), the system ensures:

1. Voltage on PACK is still applied before pulling CTR low.

Copyright © 2017, Texas Instruments Incorporated

图 9-5. PACK Voltage Timing with Switching CTR as On/Off Control of FET Drivers

9.2 Typical Applications

9.2.1 BQ298x Configuration 1: System-Controlled Reset/Shutdown Function

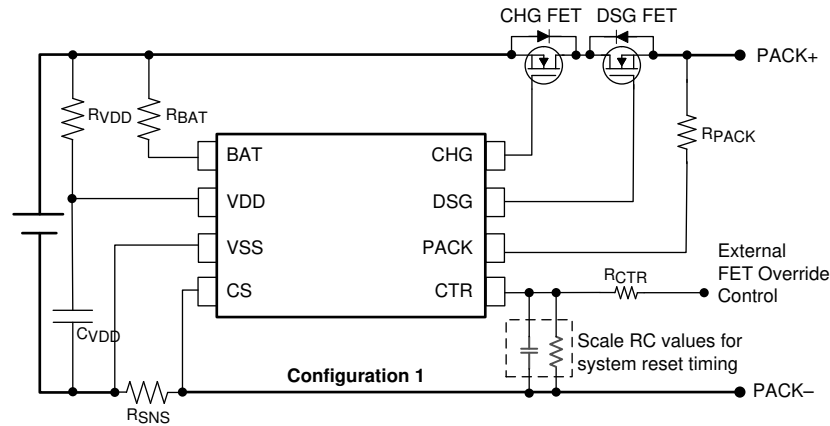


图 9-6. BQ298x Reference Schematic Configuration 1

9.2.1.1 Design Requirements

For this design example, use the parameters listed 表 9-1.

表 9-1. Recommended Component Selection

PARAMETER	TYP	MAX	UNIT	COMMENT
R _{PACK} PACK resistor	—	2	k Ω	This resistor is used to protect the PACK pin from a reserve charging current condition.
R _{VDD} VDD filter resistor	—	300	Ω	
C _{VDD} VDD filter capacitor	0.1	1	μ F	
R _{BAT} BAT resistor (for safety. To limit current if BAT pin is shorted internally)	20	—	Ω	This resistor limits current if the BAT pin is shorted to ground internally. BAT is used for voltage measurement for OV and UV. A larger resistor value can impact the voltage measurement accuracy.
R _{CTR} CTR resistor (optional for ESD)	100	—	Ω	This is optional for ESD protection and is highly dependent on the PCB layout.

9.2.1.2 Detailed Design Procedure

- Determine if a CTR for FET override or an improved voltage measurement function is required in the battery pack design.
- See 图 9-6 for the schematic design.
- Check the cell specification and system requirement to determine OV and UV levels.
- Define the sense resistor value and system requirement to determine OCC, OCD, and SCD levels. For example, with a 1-m Ω sense resistor and OCC, OCD, and SCD, the requirement is 6 A, 8 A, and 20 A, respectively. The OCC threshold should be set to 6 mV, the OCD threshold should be at 8 mV, and the SCD threshold should be at 20 mV.
- Determine the required OT protection threshold. The OT fault turns off the CHG and the DSG, so the threshold must account for the highest allowable charge and discharge temperature range.
- When a decision is made on the various thresholds, search for whether a device configuration is available or contact the local sales office for more information.

9.2.1.3 Selection of Power FET

The high-side driver of the BQ298x device limits the V_{gs} below 8 V with a 4.4-V battery cell. This means the device can work with a power FET with an absolute maximum rating as low as ± 8 V V_{gs}, which is common in smartphone applications.

Additionally, TI highly recommends using a low gate leakage FET around 6-V to 7-V V_{gs} range. The power FET on the BQ298x evaluation module has the following typical gate leakage. TI recommends selecting a similar gate leakage FET for the design.

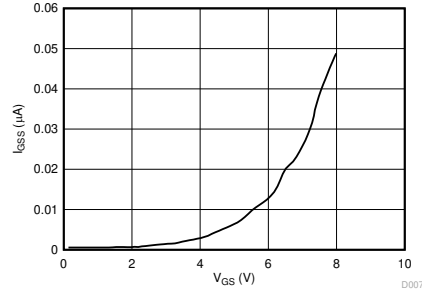


图 9-7. Power FET (on BQ2980 EVM) Gate Leakage Versus V_{gs}

9.2.1.4 Application Curves

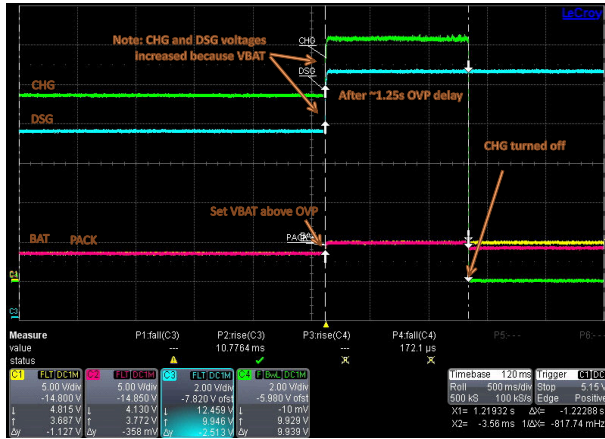


图 9-8. Overvoltage (OV) Protection

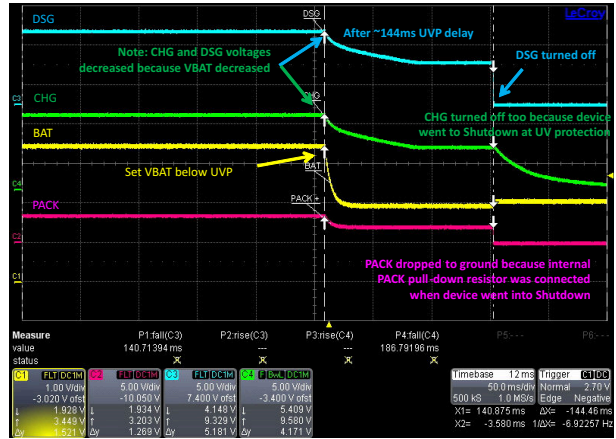


图 9-9. Undervoltage (UV) Protection

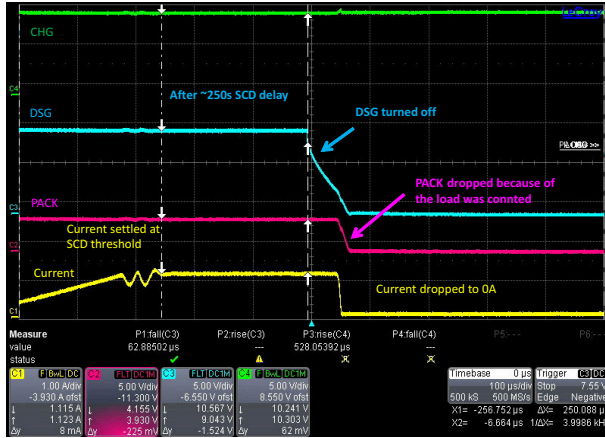
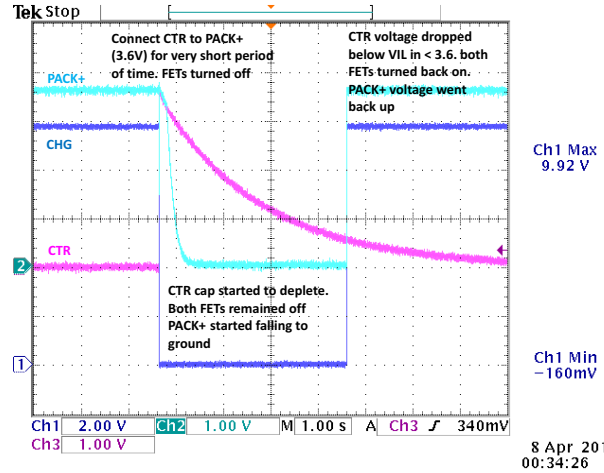
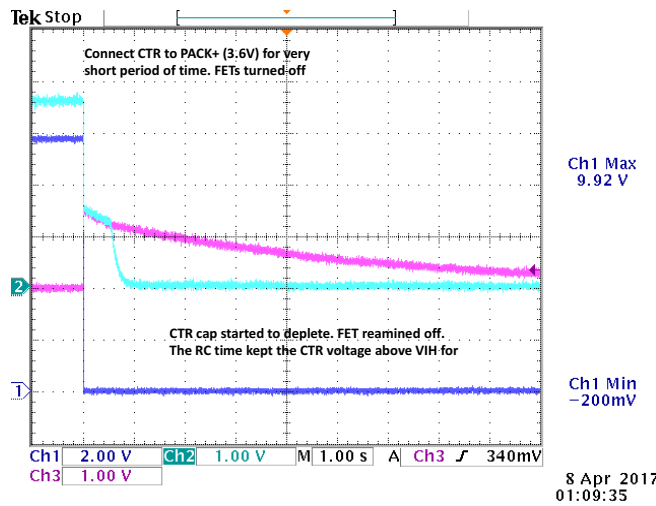


图 9-10. Short Circuit (SCD) Protection



The RC values used in this example are for reference only. System designers should depend on their pull-up voltage and RC tolerance to add any additional margin. TI also recommends users keep the delay time below 3.6 s, if possible, for the reset function.

图 9-11. Setup CTR for System Reset (Using 5 MΩ and 1 μF RC)



The RC values used in this example are for reference only. System designers should depend on their pull-up voltage and RC tolerance to add any additional margin. TI also recommends users keep the delay time below 5.4 s, if possible, for the shutdown function.

图 9-12. Setup CTR for System Shutdown (Using 5 MΩ and 1 μF RC)

9.2.2 BQ298x Configuration 2: CTR Function Disabled

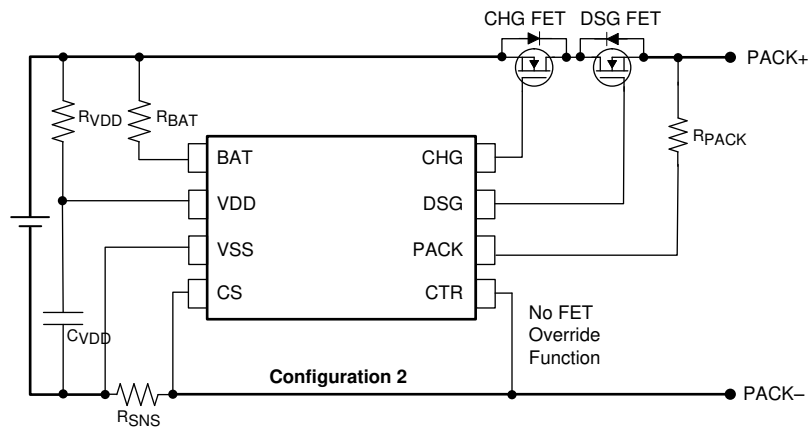


图 9-13. BQ298x Reference Schematic Configuration 2

9.2.3 BQ298x Configuration 3: PTC Thermistor Protection

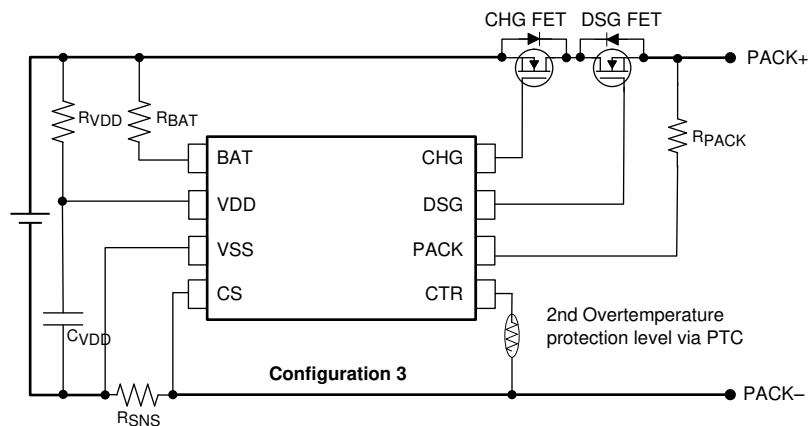


图 9-14. BQ298x Reference Schematic Configuration 3

10 Power Supply Recommendations

The device supports single-cell li-ion and li-polymer batteries of various chemistries with a maximum VDD below 5.5 V.

11 Layout

11.1 Layout Guidelines

1. Place the components to optimize the layout. For example, group the high-power components like cell pads, PACK+ and PACK - pads, power FETs, and R_{SNS} together, allowing the layout to optimize the power traces for the best thermal heat spreading.
2. Separate the device's VSS and low-power components to a low-current ground plane. Both grounds can meet at R_{SNS} .
3. Place the VDD RC filter close to the device's VDD pin.

11.2 Layout Example

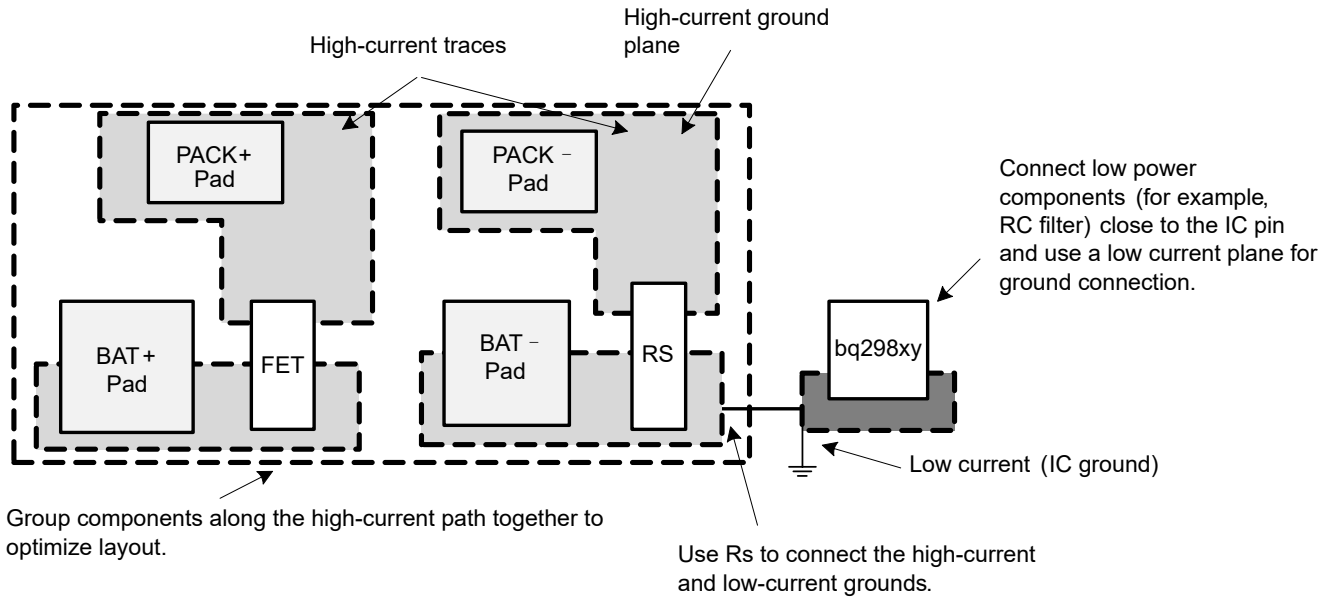


图 11-1. Component Placement and Grounding Pattern Example

12 Device and Documentation Support

12.1 第三方产品免责声明

TI 发布的与第三方产品或服务有关的信息，不能构成与此类产品或服务或保修的适用性有关的认可，不能构成此类产品或服务单独或与任何 TI 产品或服务一起的表示或认可。

12.2 接收文档更新通知

要接收文档更新通知，请导航至 ti.com 上的器件产品文件夹。点击 [订阅更新](#) 进行注册，即可每周接收产品信息更改摘要。有关更改的详细信息，请查看任何已修订文档中包含的修订历史记录。

12.3 支持资源

[TI E2E™ 支持论坛](#) 是工程师的重要参考资料，可直接从专家获得快速、经过验证的解答和设计帮助。搜索现有解答或提出自己的问题可获得所需的快速设计帮助。

链接的内容由各个贡献者“按原样”提供。这些内容并不构成 TI 技术规范，并且不一定反映 TI 的观点；请参阅 TI 的《[使用条款](#)》。

12.4 Trademarks

TI E2E™ is a trademark of Texas Instruments.

所有商标均为其各自所有者的财产。

12.5 Electrostatic Discharge Caution



This integrated circuit can be damaged by ESD. Texas Instruments recommends that all integrated circuits be handled with appropriate precautions. Failure to observe proper handling and installation procedures can cause damage.

ESD damage can range from subtle performance degradation to complete device failure. Precision integrated circuits may be more susceptible to damage because very small parametric changes could cause the device not to meet its published specifications.

12.6 术语表

[TI 术语表](#) 本术语表列出并解释了术语、首字母缩略词和定义。

13 Mechanical, Packaging, and Orderable Information

The following pages include mechanical, packaging, and orderable information. This information is the most current data available for the designated devices. This data is subject to change without notice and revision of this document. For browser-based versions of this data sheet, refer to the left-hand navigation.

PACKAGING INFORMATION

Orderable Device	Status (1)	Package Type	Package Drawing	Pins	Package Qty	Eco Plan (2)	Lead finish/ Ball material (6)	MSL Peak Temp (3)	Op Temp (°C)	Device Marking (4/5)	Samples
BQ298000RUGR	ACTIVE	X2QFN	RUG	8	3000	RoHS & Green	NIPDAU	Level-1-260C-UNLIM	-40 to 85	51	Samples
BQ298000RUGT	ACTIVE	X2QFN	RUG	8	250	RoHS & Green	NIPDAU	Level-1-260C-UNLIM	-40 to 85	51	Samples
BQ298006RUGR	ACTIVE	X2QFN	RUG	8	3000	RoHS & Green	NIPDAU	Level-1-260C-UNLIM	-40 to 85	51 06	Samples
BQ298006RUGT	ACTIVE	X2QFN	RUG	8	250	RoHS & Green	NIPDAU	Level-1-260C-UNLIM	-40 to 85	51 06	Samples
BQ298009RUGR	ACTIVE	X2QFN	RUG	8	3000	RoHS & Green	NIPDAU	Level-1-260C-UNLIM	-40 to 85	51 09	Samples
BQ298009RUGT	ACTIVE	X2QFN	RUG	8	250	RoHS & Green	NIPDAU	Level-1-260C-UNLIM	-40 to 85	51 09	Samples
BQ298010RUGR	ACTIVE	X2QFN	RUG	8	3000	RoHS & Green	NIPDAU	Level-1-260C-UNLIM	-40 to 85	51 10	Samples
BQ298010RUGT	ACTIVE	X2QFN	RUG	8	250	RoHS & Green	NIPDAU	Level-1-260C-UNLIM	-40 to 85	51 10	Samples
BQ298012RUGR	ACTIVE	X2QFN	RUG	8	3000	RoHS & Green	NIPDAU	Level-1-260C-UNLIM	-40 to 85	51 12	Samples
BQ298012RUGT	ACTIVE	X2QFN	RUG	8	250	RoHS & Green	NIPDAU	Level-1-260C-UNLIM	-40 to 85	51 12	Samples
BQ298015RUGR	ACTIVE	X2QFN	RUG	8	3000	RoHS & Green	NIPDAU	Level-1-260C-UNLIM	-40 to 85	51 15	Samples
BQ298015RUGT	ACTIVE	X2QFN	RUG	8	250	RoHS & Green	NIPDAU	Level-1-260C-UNLIM	-40 to 85	51 15	Samples
BQ298018RUGR	ACTIVE	X2QFN	RUG	8	3000	RoHS & Green	NIPDAU	Level-1-260C-UNLIM	-40 to 85	51 18	Samples
BQ298019RUGR	ACTIVE	X2QFN	RUG	8	3000	RoHS & Green	NIPDAU	Level-1-260C-UNLIM	-40 to 85	51 19	Samples
BQ298215RUGR	ACTIVE	X2QFN	RUG	8	3000	RoHS & Green	NIPDAU	Level-1-260C-UNLIM	-40 to 85	82 15	Samples
BQ298216RUGR	ACTIVE	X2QFN	RUG	8	3000	RoHS & Green	NIPDAU	Level-1-260C-UNLIM	-40 to 85	82 16	Samples
BQ298217RUGR	ACTIVE	X2QFN	RUG	8	3000	RoHS & Green	NIPDAU	Level-1-260C-UNLIM	-40 to 85	82 17	Samples

(1) The marketing status values are defined as follows:

ACTIVE: Product device recommended for new designs.

LIFEBUY: TI has announced that the device will be discontinued, and a lifetime-buy period is in effect.

NRND: Not recommended for new designs. Device is in production to support existing customers, but TI does not recommend using this part in a new design.

PREVIEW: Device has been announced but is not in production. Samples may or may not be available.

OBSOLETE: TI has discontinued the production of the device.

(2) **RoHS:** TI defines "RoHS" to mean semiconductor products that are compliant with the current EU RoHS requirements for all 10 RoHS substances, including the requirement that RoHS substance do not exceed 0.1% by weight in homogeneous materials. Where designed to be soldered at high temperatures, "RoHS" products are suitable for use in specified lead-free processes. TI may reference these types of products as "Pb-Free".

RoHS Exempt: TI defines "RoHS Exempt" to mean products that contain lead but are compliant with EU RoHS pursuant to a specific EU RoHS exemption.

Green: TI defines "Green" to mean the content of Chlorine (Cl) and Bromine (Br) based flame retardants meet JS709B low halogen requirements of ≤ 1000 ppm threshold. Antimony trioxide based flame retardants must also meet the ≤ 1000 ppm threshold requirement.

(3) MSL, Peak Temp. - The Moisture Sensitivity Level rating according to the JEDEC industry standard classifications, and peak solder temperature.

(4) There may be additional marking, which relates to the logo, the lot trace code information, or the environmental category on the device.

(5) Multiple Device Markings will be inside parentheses. Only one Device Marking contained in parentheses and separated by a "~" will appear on a device. If a line is indented then it is a continuation of the previous line and the two combined represent the entire Device Marking for that device.

(6) Lead finish/Ball material - Orderable Devices may have multiple material finish options. Finish options are separated by a vertical ruled line. Lead finish/Ball material values may wrap to two lines if the finish value exceeds the maximum column width.

Important Information and Disclaimer: The information provided on this page represents TI's knowledge and belief as of the date that it is provided. TI bases its knowledge and belief on information provided by third parties, and makes no representation or warranty as to the accuracy of such information. Efforts are underway to better integrate information from third parties. TI has taken and continues to take reasonable steps to provide representative and accurate information but may not have conducted destructive testing or chemical analysis on incoming materials and chemicals. TI and TI suppliers consider certain information to be proprietary, and thus CAS numbers and other limited information may not be available for release.

In no event shall TI's liability arising out of such information exceed the total purchase price of the TI part(s) at issue in this document sold by TI to Customer on an annual basis.

TAPE AND REEL INFORMATION

QUADRANT ASSIGNMENTS FOR PIN 1 ORIENTATION IN TAPE


*All dimensions are nominal

Device	Package Type	Package Drawing	Pins	SPQ	Reel Diameter (mm)	Reel Width W1 (mm)	A0 (mm)	B0 (mm)	K0 (mm)	P1 (mm)	W (mm)	Pin1 Quadrant
BQ298000RUGR	X2QFN	RUG	8	3000	180.0	9.5	1.69	1.69	0.63	4.0	8.0	Q2
BQ298000RUGT	X2QFN	RUG	8	250	180.0	9.5	1.69	1.69	0.63	4.0	8.0	Q2
BQ298006RUGR	X2QFN	RUG	8	3000	180.0	9.5	1.69	1.69	0.63	4.0	8.0	Q2
BQ298006RUGT	X2QFN	RUG	8	250	180.0	9.5	1.69	1.69	0.63	4.0	8.0	Q2
BQ298009RUGR	X2QFN	RUG	8	3000	180.0	9.5	1.69	1.69	0.63	4.0	8.0	Q2
BQ298009RUGT	X2QFN	RUG	8	250	180.0	9.5	1.69	1.69	0.63	4.0	8.0	Q2
BQ298010RUGR	X2QFN	RUG	8	3000	180.0	9.5	1.69	1.69	0.63	4.0	8.0	Q2
BQ298010RUGT	X2QFN	RUG	8	250	180.0	9.5	1.69	1.69	0.63	4.0	8.0	Q2
BQ298012RUGR	X2QFN	RUG	8	3000	180.0	9.5	1.69	1.69	0.63	4.0	8.0	Q2
BQ298012RUGT	X2QFN	RUG	8	250	180.0	9.5	1.69	1.69	0.63	4.0	8.0	Q2
BQ298015RUGR	X2QFN	RUG	8	3000	180.0	9.5	1.69	1.69	0.63	4.0	8.0	Q2
BQ298015RUGT	X2QFN	RUG	8	250	180.0	9.5	1.69	1.69	0.63	4.0	8.0	Q2
BQ298018RUGR	X2QFN	RUG	8	3000	180.0	9.5	1.69	1.69	0.63	4.0	8.0	Q2
BQ298019RUGR	X2QFN	RUG	8	3000	180.0	9.5	1.69	1.69	0.63	4.0	8.0	Q2
BQ298215RUGR	X2QFN	RUG	8	3000	180.0	9.5	1.69	1.69	0.63	4.0	8.0	Q2
BQ298216RUGR	X2QFN	RUG	8	3000	180.0	9.5	1.69	1.69	0.63	4.0	8.0	Q2

Device	Package Type	Package Drawing	Pins	SPQ	Reel Diameter (mm)	Reel Width W1 (mm)	A0 (mm)	B0 (mm)	K0 (mm)	P1 (mm)	W (mm)	Pin1 Quadrant
BQ298217RUGR	X2QFN	RUG	8	3000	180.0	9.5	1.69	1.69	0.63	4.0	8.0	Q2

TAPE AND REEL BOX DIMENSIONS

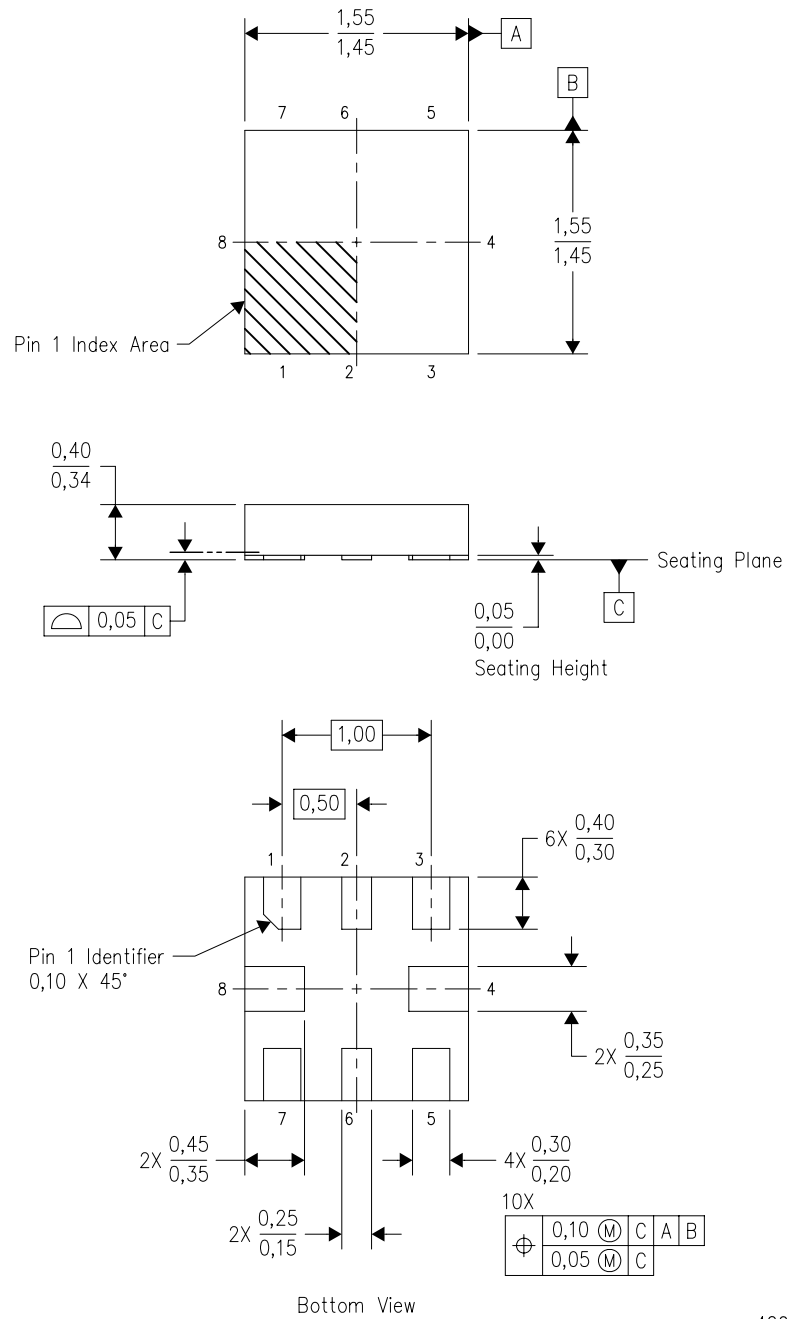


*All dimensions are nominal

Device	Package Type	Package Drawing	Pins	SPQ	Length (mm)	Width (mm)	Height (mm)
BQ298000RUGR	X2QFN	RUG	8	3000	189.0	185.0	36.0
BQ298000RUGT	X2QFN	RUG	8	250	189.0	185.0	36.0
BQ298006RUGR	X2QFN	RUG	8	3000	189.0	185.0	36.0
BQ298006RUGT	X2QFN	RUG	8	250	189.0	185.0	36.0
BQ298009RUGR	X2QFN	RUG	8	3000	189.0	185.0	36.0
BQ298009RUGT	X2QFN	RUG	8	250	189.0	185.0	36.0
BQ298010RUGR	X2QFN	RUG	8	3000	189.0	185.0	36.0
BQ298010RUGT	X2QFN	RUG	8	250	189.0	185.0	36.0
BQ298012RUGR	X2QFN	RUG	8	3000	189.0	185.0	36.0
BQ298012RUGT	X2QFN	RUG	8	250	189.0	185.0	36.0
BQ298015RUGR	X2QFN	RUG	8	3000	189.0	185.0	36.0
BQ298015RUGT	X2QFN	RUG	8	250	189.0	185.0	36.0
BQ298018RUGR	X2QFN	RUG	8	3000	189.0	185.0	36.0
BQ298019RUGR	X2QFN	RUG	8	3000	189.0	185.0	36.0
BQ298215RUGR	X2QFN	RUG	8	3000	189.0	185.0	36.0
BQ298216RUGR	X2QFN	RUG	8	3000	189.0	185.0	36.0
BQ298217RUGR	X2QFN	RUG	8	3000	189.0	185.0	36.0

RUG (S-PQFP-N8)

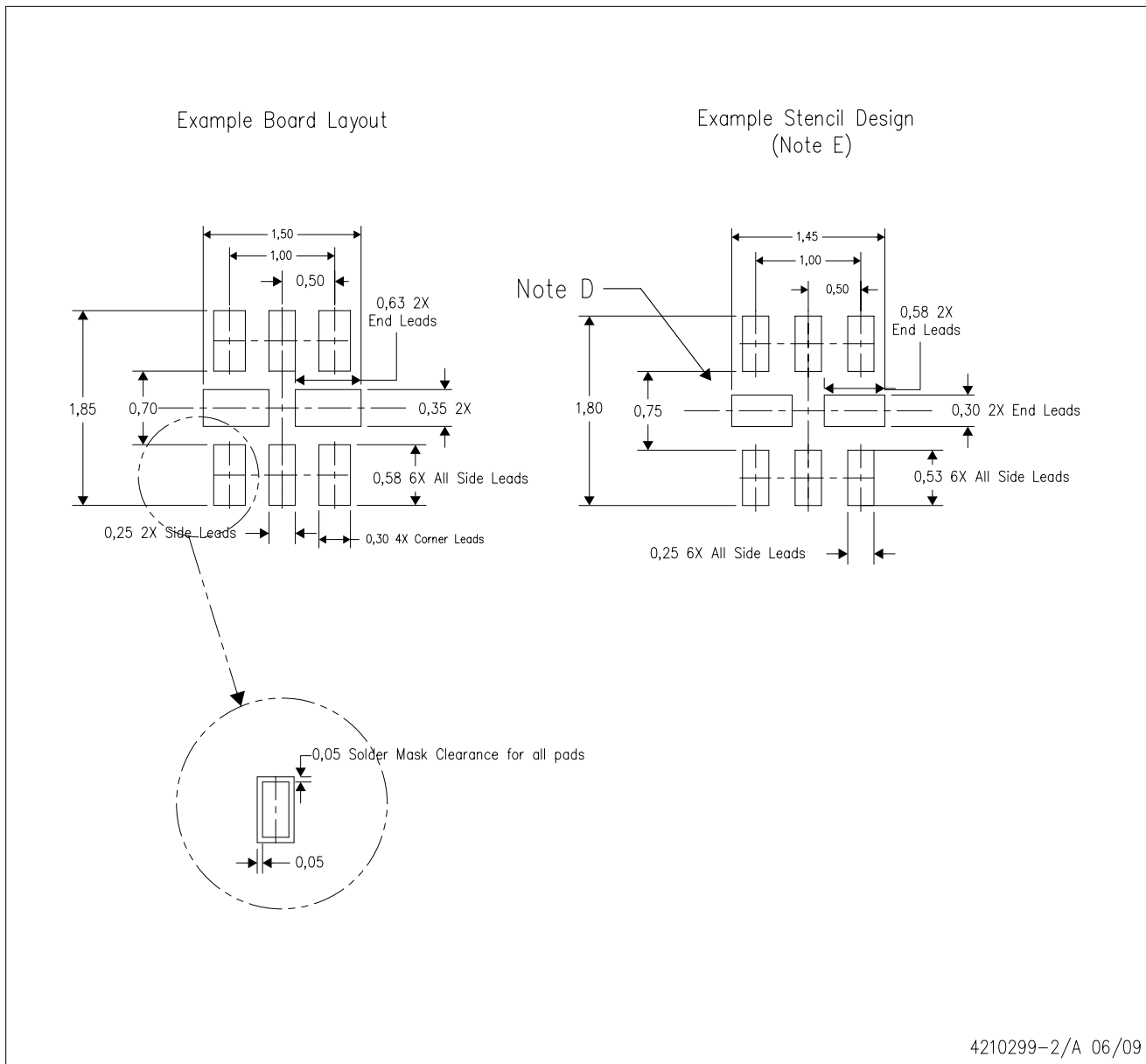
PLASTIC QUAD FLATPACK



4208528-2/B 04/2008

- NOTES:
- All linear dimensions are in millimeters. Dimensioning and tolerancing per ASME Y14.5M-1994.
 - This drawing is subject to change without notice.
 - QFN (Quad Flatpack No-Lead) package configuration.
 - This package complies to JEDEC MO-288 variation X2ECD.

RUG (R-PQFP-N8)



4210299-2/A 06/09

- NOTES:
- A. All linear dimensions are in millimeters.
 - B. This drawing is subject to change without notice.
 - C. Publication IPC-7351 is recommended for alternate designs.
 - D. Customers should contact their board fabrication site for minimum solder mask web tolerances between signal pads.
 - E. Maximum stencil thickness 0,127 mm (5 mils). All linear dimensions are in millimeters.
 - F. Laser cutting apertures with trapezoidal walls and also rounding corners will offer better paste release. Customers should contact their board assembly site for stencil design recommendations. Refer to IPC 7525 for stencil design considerations.
 - G. Side aperture dimensions over-print land for acceptable area ratio > 0.66. Customer may reduce side aperture dimensions if stencil manufacturing process allows for sufficient release at smaller opening.

重要声明和免责声明

TI“按原样”提供技术和可靠性数据（包括数据表）、设计资源（包括参考设计）、应用或其他设计建议、网络工具、安全信息和其他资源，不保证没有瑕疵且不做任何明示或暗示的担保，包括但不限于对适销性、某特定用途方面的适用性或不侵犯任何第三方知识产权的暗示担保。

这些资源可供使用 TI 产品进行设计的熟练开发人员使用。您将自行承担以下全部责任：(1) 针对您的应用选择合适的 TI 产品，(2) 设计、验证并测试您的应用，(3) 确保您的应用满足相应标准以及任何其他功能安全、信息安全、监管或其他要求。

这些资源如有变更，恕不另行通知。TI 授权您仅可将这些资源用于研发本资源所述的 TI 产品的应用。严禁对这些资源进行其他复制或展示。您无权使用任何其他 TI 知识产权或任何第三方知识产权。您应全额赔偿因在这些资源的使用中对 TI 及其代表造成的任何索赔、损害、成本、损失和债务，TI 对此概不负责。

TI 提供的产品受 [TI 的销售条款](#) 或 [ti.com](#) 上其他适用条款/TI 产品随附的其他适用条款的约束。TI 提供这些资源并不会扩展或以其他方式更改 TI 针对 TI 产品发布的适用的担保或担保免责声明。

TI 反对并拒绝您可能提出的任何其他或不同的条款。

邮寄地址：Texas Instruments, Post Office Box 655303, Dallas, Texas 75265

Copyright © 2023，德州仪器 (TI) 公司

X-ON Electronics

Largest Supplier of Electrical and Electronic Components

Click to view similar products for [Battery Management](#) category:

Click to view products by [Texas Instruments](#) manufacturer:

Other Similar products are found below :

[NCP1851BFCCT1G](#) [NCP1855FCCT1G](#) [FAN54063UCX](#) [MP2615GQ-P](#) [LC05132C01NMTTGTG](#) [ISL95522HRZ](#) [BD8665GW-E2](#)
[ISL9538HRTZ](#) [ISL95522AIRZ](#) [S-82D1AAE-A8T2U7](#) [S-82D1AAA-A8T2U7](#) [S-8224ABA-I8T1U](#) [MP2615CGQ-P](#) [ISL6251HRZ](#)
[ISL6253HRZ](#) [ISL6292-2CR3](#) [ISL6292BCRZ-T](#) [ISL6299AIRZ](#) [ISL9211AIRU58XZ-T](#) [ISL9214IRZ](#) [ISL9220IRTZ-T](#) [FAN54161UCX](#)
[SY6982CQDC](#) [IP6566_AC_30W_ZM](#) [WS3221C-6/TR](#) [ADBMS1818ASWAZ-RL](#) [ADBMS6815WCSWZ](#) [ML5245-005AMBZ07CX](#)
[BQ25672RQMR](#) [ADBMS1818ASWZ-R7](#) [KA49503A-BB](#) [SC33771CTA1MAE](#) [BQ24060DRCR](#) [BQ7695202PFBR](#) [BQ771809DPJR](#)
[BQ24179YBGR](#) [BQ7693002DBTR](#) [BQ25170DSGR](#) [TP4586](#) [FM2119L](#) [FM1623A](#) [DW01](#) [BQ25172DSGR](#) [DW01S](#) [TP4054](#) [MP2723GQC-](#)
[0000-Z](#) [MP26124GR-Z](#) [MP2664GG-0000-Z](#) [MP26029GTF-0000-Z](#) [MP2695GQ-0000-Z](#)