

CC3200MOD SimpleLink™ Wi-Fi® 和物联网模块、解决方案、 单芯片无线 MCU

1 特性

- CC3200MOD 是 Wi-Fi® 模块，包含 CC3200R1M2RGC 单芯片无线微控制器 (MCU)
- 完全集成的模块包括所有必需的时钟、SPI 闪存和无源器件
- 模块化 FCC、IC、TELEC 和 CE 认证帮助客户省力、省时、省钱
- Wi-Fi Alliance 成员可以申请 Wi-Fi CERTIFIED™ 模块的证书转让
- 1.27mm 间距 QFM 封装，实现轻松组装和低成本 PCB 设计
- 应用 MCU 子系统：
 - Arm® Cortex®-M4 内核，运行频率 80MHz
 - 嵌入式存储器：
 - 集成式串行闪存
 - RAM (高达 256KB)
 - 采用 ROM 的外设驱动器
 - 实现高级硬件安全的硬件加密引擎，包括：
 - AES、DES 和 3DES
 - SHA 和 MD5
 - CRC 和校验和
 - 8 位并行摄像头
 - 1 个支持 I2S 格式的多通道音频串行端口 (McASP) 接口
 - 1 个 SD (MMC) 接口
 - 32 通道微直接存储器存取 (μ DMA)
 - 2 个通用异步收发传输器 (UART)
 - 2 个串行外设接口 (SPI)
 - 1 个内部集成电路 (I²C)
 - 的通用计时器 (GPT)
 - 16 位脉宽调制 (PWM) 模式
 - 1 个看门狗计时器模块
 - 4 通道、12 位模数转换器 (ADC)
 - 多达 25 个独立可编程的 GPIO 引脚
- Wi-Fi 网络处理器子系统：
 - 802.11 b/g/n 无线电、基带和介质访问控制
 - TCP/IP 堆栈
- 8 个同步 TCP、UDP 或 RAW 套接字
- 2 个同步 TLS v1.2 或 SSL 3.0 套接字
- 支持 ARP、ICMP、DHCP、DNS 和 mDNS
- 包含内置可编程 HTML 页面的 HTTP 服务器，可实现跨网络器件配置
- 强大的加密引擎，采用 256 位加密，可实现快速安全的 WLAN 连接
- 基站、接入点和 Wi-Fi Direct® 模式
- WPA2 个人和企业安全性
- SimpleLink™ 连接管理器 (用于管理 Wi-Fi 安全状态)
- TX 功率：
 - 1 DSSS 时为 17.0dBm
 - 11 CCK 时为 17.25dBm
 - 54 OFDM 时为 13.5dBm
- RX 灵敏度：
 - 1 DSSS 时为 -94.7dBm
 - 11 CCK 时为 -87.0dBm
 - 54 OFDM 时为 -73.0dBm
- 应用吞吐量：
 - UDP : 16Mbps
 - TCP : 13Mbps
- 电源管理子系统：
 - 具有宽电源电压的集成式直流/直流转换器：
 - V_{BAT} : 2.3 至 3.6V
 - 3.6V 时：
 - 实时时钟 (RTC) 休眠：7 μ A
 - 低功耗深度睡眠：<275 μ A
 - RX 流量：54 OFDM 时为 59mA
 - TX 流量：54 OFDM 时为 229mA
 - 封装和工作条件：
 - 1.27mm 间距、63 引脚、20.5mm \times 17.5mm QFM 封装，实现轻松组装和低成本 PCB 设计
 - 工作温度范围：-20°C 至 +70°C
- 其他集成组件：
 - 40.0MHz 晶体
 - 32.768kHz 晶体 (RTC)
 - 8 兆位 SPI 串行闪存



- 射频滤波器和无源器件
 - QFM 封装：
 - 1.27mm 间距、63 引脚、20.5mm × 17.5mm QFM 封装，实现轻松组装和低成本 PCB 设计
 - 运行温度：
 - 环境温度范围：- 40°C 至 +85°C
 - 模块支持 [SimpleLink 开发人员生态系统](#)
- 家用电器
 - 楼宇自动化
 - 安全系统
 - 智能能源
 - 互联网网关
 - 工业控制
 - 智能插座和仪表计量
 - 无线通信
 - 可穿戴产品

2 应用

- [物联网 \(IoT\)](#)

3 说明

使用业界领先的经过 FCC、IC、CE 和 Wi-Fi CERTIFIED™ 认证的可编程无线 MCU 模块开始您的设计，它具有内置 Wi-Fi® 连接。SimpleLink™ CC3200MOD 专为物联网而打造，是一款集成了 Arm® Cortex®-M4 MCU 的无线 MCU 模块，让客户使用单个器件即可开发完整的应用。借助片上 Wi-Fi、互联网和稳固的安全协议，您无需具备 Wi-Fi 先前经验就可以实现更开速的开发。CC3200MOD 在 QFM 封装中集成了所有必需的系统级硬件组件，包括时钟、SPI 闪存、射频开关和无源组件，便于实现轻松组装和低成本 PCB 设计。CC3200MOD 器件是一个完整的平台解决方案，其中包括软件、示例应用、工具、用户和编程指南、参考设计以及 TI {7}E2E{8} 支持社区。

此应用 MCU 子系统包含业界通用的 Arm® Cortex®-M4 内核 (运行频率为 80MHz)。

此器件包含多种外设，如快速并行摄像头接口、I2S、SD/MMC、UART、SPI、I2C 和四通道 ADC。CC3200 系列包含用于处理代码和数据的灵活嵌入式 RAM、带外部串行闪存引导加载程序和外设驱动程序的 ROM，以及用于 Wi-Fi 网络处理器服务包、Wi-Fi 证书和凭据的 SPI 闪存。

Wi-Fi 网络处理器子系统具有一个 Wi-Fi Internet-on-a chip™，以及一个额外的专用 Arm®，此 MCU 可充分减轻应用 MCU 的负载。该子系统包含 802.11 b/g/n 无线电、基带和具有强大加密引擎的 MAC，采用 256 位加密，可实现快速安全的互联网连接。CC3200MOD 支持基站、接入点和 Wi-Fi Direct 模式。此器件还支持 WPA2 个人和企业安全性以及 WPS 2.0。Wi-Fi Internet-on-a-chip 包含嵌入式 TCP/IP 和 TLS/SSL 堆栈、HTTP 服务器和多个互联网协议。电源管理子系统包括支持范围广泛的电源电压的集成式直流/直流转换器。该子系统支持低功耗模式，例如，所需电流低于 7 μA 的 RTC 休眠模式。

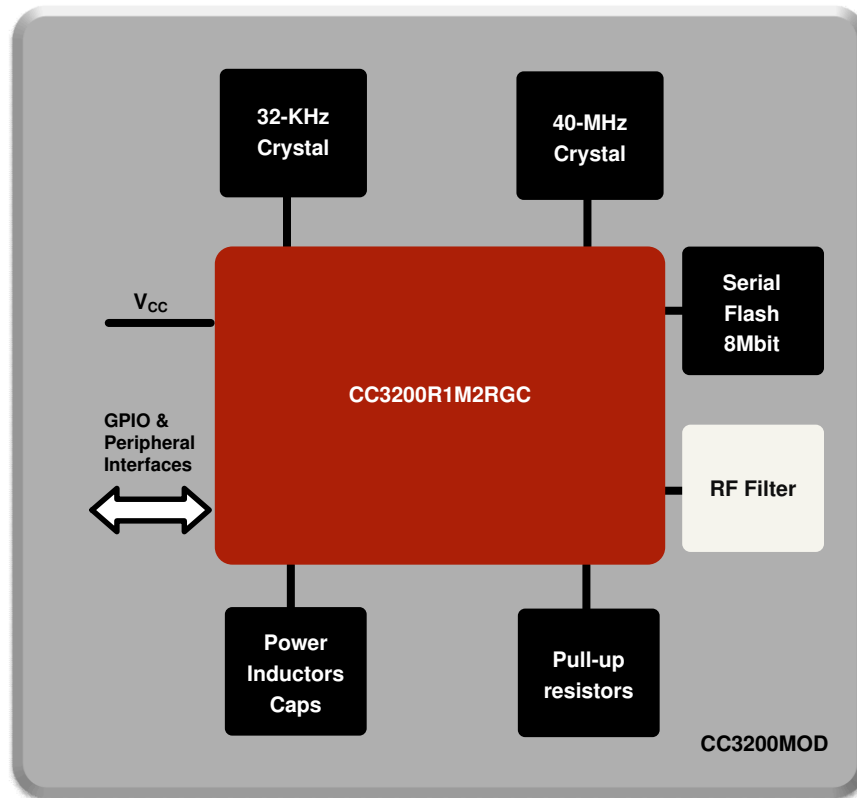
表 3-1. 模块信息 (1)

器件型号	封装	封装尺寸 (标称值)
CC3200MODR1M2AMOB	QFM (63)	20.50mm × 17.50mm

(1) 有关详细信息，请参阅节 13。

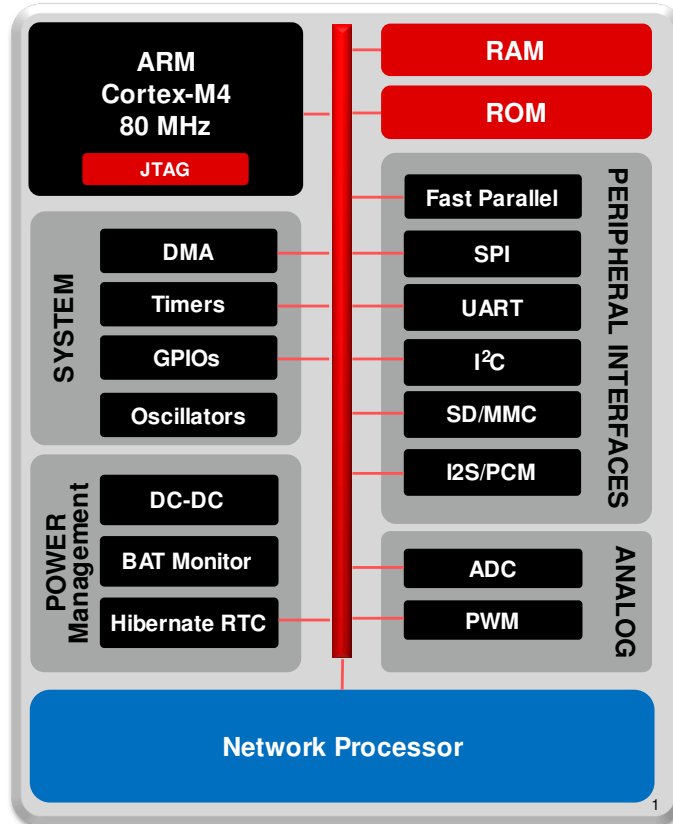
4 Functional Block Diagrams

图 4-1 shows the functional block diagram of the CC3200MOD module.



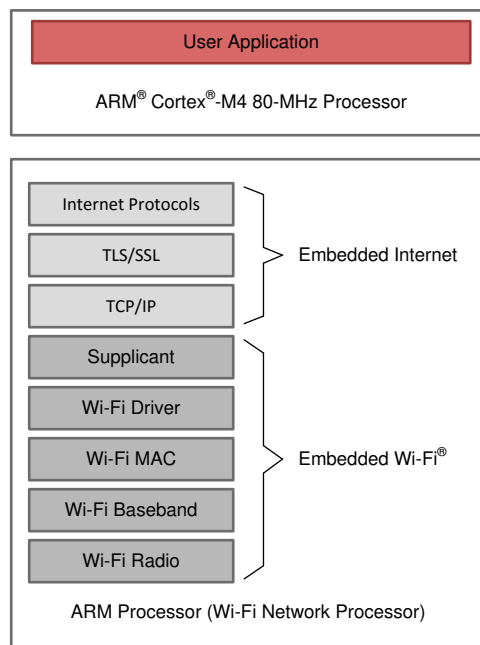
For 3200MOD module pin multiplexing details, see the [CC3200 SimpleLink™ Wi-Fi® Wireless and Internet-of-Things Solution, a Single-Chip Wireless MCU data sheet](#).

图 4-1. CC3200MOD Module Functional Block Diagram



Copyright © 2016, Texas Instruments Incorporated

图 4-2. CC3200 Hardware Overview



Copyright © 2017, Texas Instruments Incorporated

图 4-3. CC3200 Software Overview

Table of Contents

1 特性	1	9.2 Functional Block Diagram.....	31
2 应用	2	9.3 Arm® Cortex®-M4 处理器内核子系统.....	31
3 说明	2	9.4 CC3200 Device Encryption.....	32
4 Functional Block Diagrams	3	9.5 Wi-Fi® Network Processor Subsystem.....	33
5 Revision History	5	9.6 Power-Management Subsystem.....	34
6 Device Comparison	6	9.7 Low-Power Operating Mode.....	34
6.1 Related Products.....	8	9.8 Memory.....	37
7 Terminal Configuration and Functions	9	9.9 Boot Modes.....	40
7.1 CC3200MOD Pin Diagram.....	9	10 Applications, Implementation, and Layout	42
7.2 Pin Attributes.....	10	10.1 Device Connection and Layout Fundamentals.....	42
7.3 Pin Attributes and Pin Multiplexing.....	12	10.2 Reference Schematics.....	43
7.4 Recommended Pin Multiplexing Configurations.....	18	10.3 Design Requirements.....	43
7.5 Drive Strength and Reset States for Analog-Digital Multiplexed Pins.....	20	10.4 Detailed Design Procedure.....	43
7.6 Pad State After Application of Power to Chip, but Before Reset Release.....	20	10.5 Layout Recommendations.....	44
8 Specifications	21	11 Environmental Requirements and Specifications	48
8.1 Absolute Maximum Ratings.....	21	11.1 PCB Bending.....	48
8.2 ESD Ratings.....	21	11.2 Handling Environment.....	48
8.3 Power-On Hours (POH).....	21	11.3 Storage Condition.....	48
8.4 Recommended Operating Conditions.....	21	11.4 Baking Conditions.....	48
8.5 Power Consumption Summary.....	22	11.5 Soldering and Reflow Condition.....	49
8.6 Brownout and Blackout Conditions.....	25	12 Device and Documentation Support	50
8.7 WLAN RF Characteristics.....	27	12.1 Device Support.....	50
8.8 Reset Requirement.....	27	12.2 Device Nomenclature.....	51
8.9 Thermal Resistance Characteristics for MOB and MON Packages.....	28	12.3 Documentation Support.....	52
8.10 Timing and Switching Characteristics.....	28	12.4 Trademarks.....	52
9 Detailed Description	31	13 Mechanical, Packaging, and Orderable Information	53
9.1 Overview.....	31	13.1 Mechanical Drawing.....	53
		13.2 Package Option.....	55

5 Revision History

注：以前版本的页码可能与当前版本的页码不同

Changes from May 5, 2020 to September 22, 2020 (from Revision B (May 2020) to Revision C (September 2020))

	Page
• 更新了整个文档的表、图和交叉参考的编号格式.....	1
• Changed SPQ value for CC3200MODR1M2AMOBR throughout 节 13.2.....	55

6 Device Comparison

表 6-1 shows the features supported across different CC3x20 modules.

表 6-1. Device Features Comparison

FEATURE	DEVICE				
	CC3120MOD	CC3220MODS	CC3220MODSF	CC3220MODAS	CC3220MODASF
On-board chip	CC3120	CC3220S	CC3220SF	CC3220S	CC3220SF
On-board ANT	No	No	No	Yes	Yes
sFlash	32-Mbit	32-Mbit	32-Mbit	32-Mbit	32-Mbit
Regulatory certifications	FCC, IC, CE, MIC, SRRC	FCC, IC, CE, MIC, SRRC	FCC, IC, CE, MIC, SRRC	FCC, IC, CE, MIC, SRRC	FCC, IC, CE, MIC, SRRC
Wi-Fi Alliance® Certification	Yes	Yes	Yes	Yes	Yes
Input voltage	2.3 V to 3.6 V	2.3 V to 3.6 V	2.3 V to 3.6 V	2.3 V to 3.6 V	2.3 V to 3.6 V
Package	17.5 mm × 20.5 mm QFM	17.5 mm × 20.5 mm QFM	17.5 mm × 20.5 mm QFM	25.0 mm × 20.5 mm QFM	25.0 mm × 20.5 mm QFM
Operating temperature range	- 40°C to +85°C	- 40°C to +85°C	- 40°C to +85°C	- 40°C to +85°C	- 40°C to +85°C
Classification	Wi-Fi Network Processor	Wireless Microcontroller	Wireless Microcontroller	Wireless Microcontroller	Wireless Microcontroller
Standard	802.11 b/g/n	802.11 b/g/n	802.11 b/g/n	802.11 b/g/n	802.11 b/g/n
Frequency	2.4 GHz	2.4 GHz	2.4 GHz	2.4 GHz	2.4 GHz
TCP/IP Stack	IPv4, IPv6	IPv4, IPv6	IPv4, IPv6	IPv4, IPv6	IPv4, IPv6
Sockets	16	16	16	16	16
Integrated MCU	-	Arm® Cortex®-M4 at 80 MHz	Arm® Cortex®-M4 at 80 MHz	Arm® Cortex®-M4 at 80 MHz	Arm® Cortex®-M4 at 80 MHz
ON-CHIP APPLICATION MEMORY					
RAM	-	256KB	256KB	256KB	256KB
Flash	-	-	1MB	-	1MB
PERIPHERALS AND INTERFACES					
Universal Asynchronous Receiver/Transmitter (UART)	1	2	2	2	2
Serial Port Interface (SPI)	1	1	1	1	1
Multichannel Audio Serial Port (McASP)- I2S or PCM	-	2-ch	2-ch	2-ch	2-ch
Inter-Integrated Circuit (I ² C)	-	1	1	1	1
Analog-to-digital converter (ADC)	-	4-ch, 12-bit	4-ch, 12-bit	4-ch, 12-bit	4-ch, 12-bit
Parallel interface (8-bit PI)	-	1	1	1	1
General-purpose timers	-	4	4	4	4
Multimedia card (MMC / SD)	-	1	1	1	1

表 6-1. Device Features Comparison (continued)

FEATURE	DEVICE				
	CC3120MOD	CC3220MODS	CC3220MODSF	CC3220MODAS	CC3220MODASF
SECURITY FEATURES					
Wi-Fi level of security	WEP, WPS, WPA / WPA2 PSK WPA2 (802.1x)	WEP, WPS, WPA / WPA2 PSK WPA2 (802.1x)	WEP, WPS, WPA / WPA2 PSK WPA2 (802.1x)	WEP, WPS, WPA / WPA2 PSK WPA2 (802.1x)	WEP, WPS, WPA / WPA2 PSK WPA2 (802.1x)
Secure sockets (SSL v3 or TLS 1.0 / 1.1/ 1.2)	6	6	6	6	6
Additional networking security	Unique Device Identity Trusted Root-Certificate Catalog TI Root-of-Trust Public key	Unique Device Identity Trusted Root-Certificate Catalog TI Root-of-Trust Public key	Unique Device Identity Trusted Root-Certificate Catalog TI Root-of-Trust Public key	Unique Device Identity Trusted Root-Certificate Catalog TI Root-of-Trust Public key	Unique Device Identity Trusted Root-Certificate Catalog TI Root-of-Trust Public key
Hardware acceleration	Hardware Crypto Engines	Hardware Crypto Engines	Hardware Crypto Engines	Hardware Crypto Engines	Hardware Crypto Engines
Secure boot	-	Yes	Yes	Yes	Yes
Enhanced Application Level Security	-	File system security Secure key storage Software tamper detection Cloning protection Initial secure programming	File system security Secure key storage Software tamper detection Cloning protection Initial secure programming	File system security Secure key storage Software tamper detection Cloning protection Initial secure programming	File system security Secure key storage Software tamper detection Cloning protection Initial secure programming

6.1 Related Products

For information about other devices in this family of products or related products see the links below.

The SimpleLink™ MCU Portfolio offers a single development environment that delivers flexible hardware, software and tool options for customers developing wired and wireless applications. With 100 percent code reuse across host MCUs, Wi-Fi®, Bluetooth® low energy, Sub-1GHz devices and more, choose the MCU or connectivity standard that fits your design. A one-time investment with the SimpleLink software development kit (SDK) allows you to reuse often, opening the door to create unlimited applications.

Companion Products Review products that are frequently purchased or used in conjunction with this product.

SimpleLink™ Wi-Fi® Family The SimpleLink Wi-Fi Family offers several Internet-on-a chip solutions, which address the need of battery operated, security enabled products. Texas instruments offers a single chip wireless microcontroller and a wireless network processor which can be paired with any MCU, to allow developers to design new wi-fi products, or upgrade existing products with wi-fi capabilities.

BoosterPack™ Plug-In Modules BoosterPack™ Plug-In Modules extend the functionality of TI LaunchPad Kit. Application specific BoosterPack Plug in modules allow you to explore a broad range of applications, including capacitive touch, wireless sensing, LED Lighting control, and more. Stack multiple BoosterPack modules onto a single LaunchPad kit to further enhance the functionality of your design.

Reference Designs for CC3200 and CC3220 Devices TI Designs Reference Design Library is a robust reference design library spanning analog, embedded processor and connectivity. Created by TI experts to help you jump start your system design, all TI Designs include schematic or block diagrams, BOMs and design files to speed your time to market. Search and download designs at ti.com/tidesigns.

SimpleLink™ Wi-Fi® CC3220 SDK The SimpleLink Wi-Fi CC3220 SDK contains drivers for the CC3220 programmable MCU, sample applications, and documentation required to start development with CC3220 solutions.

7 Terminal Configuration and Functions

7.1 CC3200MOD Pin Diagram

图 7-1 shows the pin diagram for the CC3200MOD module.

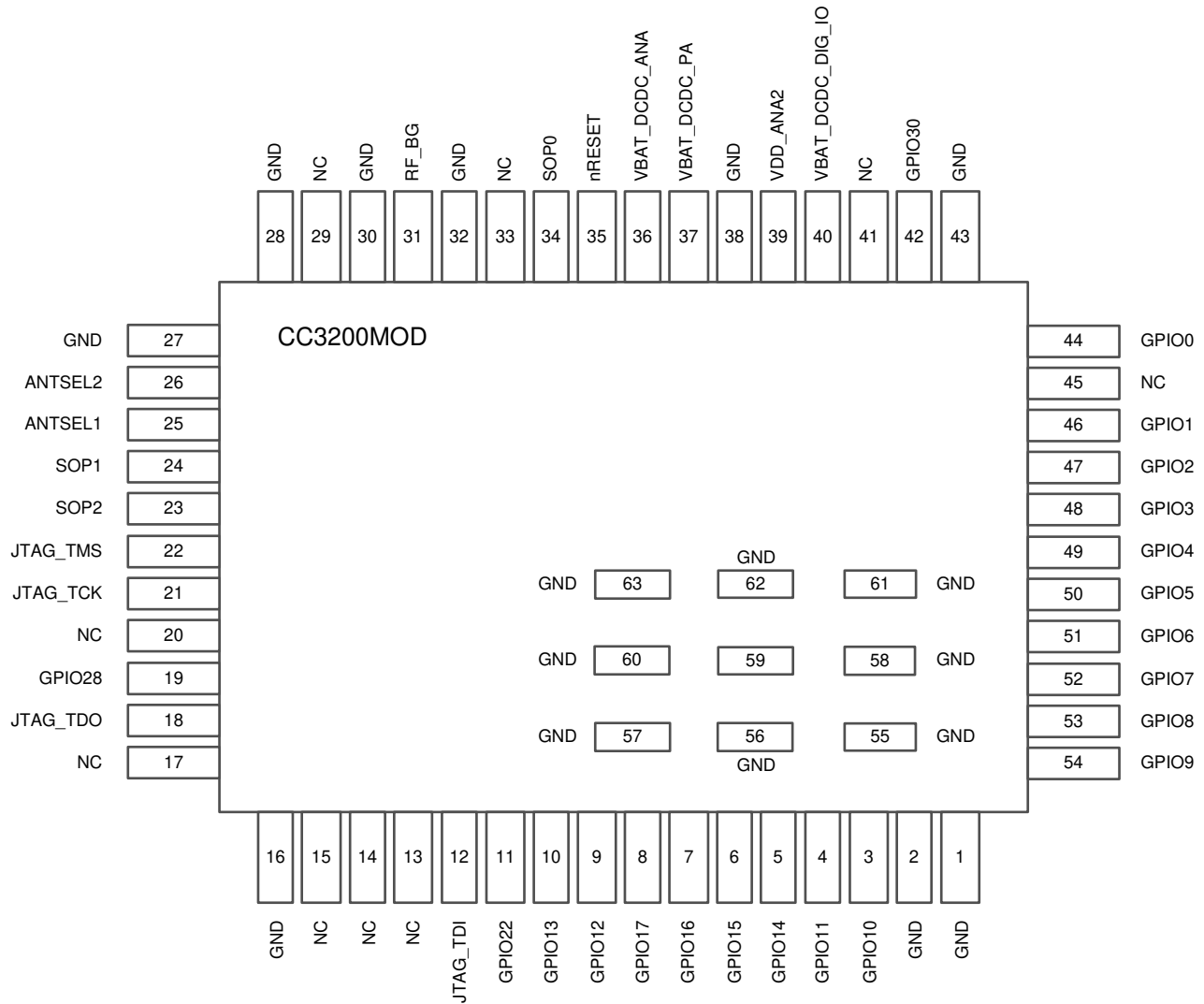


图 7-1 shows the approximate location of pins on the module. For the actual mechanical diagram, see 节 13.

图 7-1. CC3200MOD Pin Diagram Bottom View

7.2 Pin Attributes

节 7.2.1 lists the pin descriptions of the CC3200MOD module. *DEVICE PIN NO.* refers to the pin number of the VQFN device, CC3200, which is stated here because the VQFN pin is referred to in the software design kit (SDK).

7.2.1 Module Pin Attributes

MODULE PIN		TYPE	DEVICE PIN NO.	MODULE PIN DESCRIPTION
NO.	NAME			
1	GND	-	-	Ground
2	GND	-	-	Ground
3	GPIO10	I/O	1	GPIO ⁽¹⁾
4	GPIO11	I/O	2	GPIO ⁽¹⁾
5	GPIO14	I/O	5	GPIO ⁽¹⁾
6	GPIO15	I/O	6	GPIO ⁽¹⁾
7	GPIO16	I/O	7	GPIO ⁽¹⁾
8	GPIO17	I/O	8	GPIO ⁽¹⁾
9	GPIO12	I/O	3	GPIO ⁽¹⁾
10	GPIO13	I/O	4	GPIO ⁽¹⁾
11	GPIO22	I/O	15	GPIO ⁽¹⁾
12	JTAG_TDI	I/O	16	GPIO ⁽¹⁾
13	NC	-	13	Reserved for TI
14	NC	-	14	Reserved for TI
15	NC	-	11	Reserved for TI
16	GND	-	-	Ground
17	NC	-	12	Reserved for TI
18	JTAG_TDO	I/O	17	GPIO ⁽¹⁾
19	GPIO28	I/O	18	GPIO ⁽¹⁾
20	NC	-	23	Unused. Do not connect.
21	JTAG_TCK	I/O	19	JTAG TCK input. Needs 100-k Ω pulldown resistor to ground. Not adding the 100K resistor can cause higher current in LPDS mode. ⁽¹⁾
22	JTAG_TMS	I/O	20	JTAG TMS input. Leave unconnected if not used on product. ⁽¹⁾
23	SOP2	-	21	Add 2.7-k Ω pulldown resistor to ground needed for functional mode. Connect to test point to be pulled high for entering the UART load mode for flashing.
24	SOP1	-	34	Reserved. Do not connect.
25	ANTSEL1	I/O	29	Antenna selection control ⁽¹⁾
26	ANTSEL2	I/O	30	Antenna selection control ⁽¹⁾
27, 28	GND	-	-	Ground
29	NC	-	27, 28	Reserved for TI
30	GND	-	-	Ground
31	RF_BG	I/O	31	2.4-GHz RF input/output
32	GND	-	-	Ground
33	NC	-	38	Reserved for TI
34	SOP0	-	35	Optional 10-k Ω pullup if user chooses to use SWD debug mode instead of 4-wire JTAG
35	nRESET	I	32	Power on reset. Does not require external RC circuit
36	VBAT_DCDC_ANA	-	37	Power supply for the device, can be connected to battery (2.3 V to 3.6 V)

MODULE PIN		TYPE	DEVICE PIN NO.	MODULE PIN DESCRIPTION
NO.	NAME			
37	VBAT_DCDC_PA	-	39	Power supply for the device, can be connected to battery (2.3 V to 3.6 V)
38	GND	-	-	Ground
39	NC	-	47	Leave unconnected
40	VBAT_DCDC_DIG_IO	-	10, 44, 54	Power supply for the device, can be connected to battery (2.3 V to 3.6 V)
41	NC	-	25, 36, 48	Reserved for TI
42	GPIO30	I/O	53	GPIO ⁽¹⁾
43	GND	-	-	Ground
44	GPIO0	I/O	50	GPIO ⁽¹⁾
45	NC	-	51	Reserved for TI
46	GPIO1	I/O	55	GPIO ⁽¹⁾
47	GPIO2	I/O	57	GPIO ⁽¹⁾
48	GPIO3	I/O	58	GPIO ⁽¹⁾
49	GPIO4	I/O	59	GPIO ⁽¹⁾
50	GPIO5	I/O	60	GPIO ⁽¹⁾
51	GPIO6	I/O	61	GPIO ⁽¹⁾
52	GPIO7	I/O	62	GPIO ⁽¹⁾
53	GPIO8	I/O	63	GPIO ⁽¹⁾
54	GPIO9	I/O	64	GPIO ⁽¹⁾
55, 56, 57, 58, 59, 60, 61, 62, 63	GND	-	-	Thermal Ground

(1) For pin multiplexing details, refer to the [CC3200 SimpleLink™ Wi-Fi® Wireless and Internet-of-Things Solution, a Single-Chip Wireless MCU data sheet](#).

7.3 Pin Attributes and Pin Multiplexing

The module makes extensive use of pin multiplexing to accommodate the large number of peripheral functions in the smallest possible package. To achieve this configuration, pin multiplexing is controlled using a combination of hardware configuration (at module reset) and register control.

The board and software designers are responsible for the proper pin multiplexing configuration. Hardware does not ensure that the proper pin multiplexing options are selected for the peripherals or interface mode used. 表 7-1 describes the general pin attributes and presents an overview of pin multiplexing. All pin multiplexing options are configurable using the pin mux registers. The following special considerations apply:

- All I/Os support drive strengths of 2, 4, and 6 mA. Drive strength is individually configurable for each pin.
- All I/Os support 10- μ A pullup and pulldown resistors.
- These pulls are not active and all of the I/Os remain floating while the device is in Hibernate state.
- The VIO and VBAT supply must be tied together at all times.
- All digital I/Os are nonfail-safe.

表 7-1. Pin Multiplexing

GENERAL PIN ATTRIBUTES					FUNCTION					PAD STATES		
PIN ALIAS	USE	SELECT AS WAKEUP SOURCE	CONFIG ADDL ANALOG MUX	MUXED WITH JTAG	DIG. PIN MUX CONFIG REG	DIG. PIN MUX CONFIG MODE VALUE	SIGNAL NAME	SIGNAL DESCRIPTION	SIGNAL DIRECTION	LPDS ⁽¹⁾	HIB ⁽²⁾	nRESET = 0
GPIO10	I/O	No	No	No	GPIO_PAD_CONFIG_10 (0x4402 E0C8)	0	GPIO10	General-Purpose I/O	I/O	Hi-Z	Hi-Z	Hi-Z
						1	I2C_SCL	I2C Clock	O (Open Drain)	Hi-Z		
						3	GT_PWM06	Pulse-Width Modulated O/P	O	Hi-Z		
						7	UART1_TX	UART TX Data	O	1		
						6	SDCARD_CLK	SD Card Clock	O	0		
						12	GT_CCP01	Timer Capture Port	I	Hi-Z		
GPIO11	I/O	Yes	No	No	GPIO_PAD_CONFIG_11 (0x4402 E0CC)	0	GPIO11	General-Purpose I/O	I/O	Hi-Z	Hi-Z	Hi-Z
						1	I2C_SDA	I2C Data	I/O (Open Drain)	Hi-Z		
						3	GT_PWM07	Pulse-Width Modulated O/P	O	Hi-Z		
						4	pXCLK (XVCLK)	Free Clock To Parallel Camera	O	0		
						6	SDCARD_CMD	SD Card Command Line	I/O	Hi-Z		
						7	UART1_RX	UART RX Data	I	Hi-Z		
						12	GT_CCP02	Timer Capture Port	I	Hi-Z		
						13	McAFSX	I2S Audio Port Frame Sync	O	Hi-Z		

表 7-1. Pin Multiplexing (continued)

GENERAL PIN ATTRIBUTES					FUNCTION					PAD STATES		
PIN ALIAS	USE	SELECT AS WAKEUP SOURCE	CONFIG ADDL ANALOG MUX	MUXED WITH JTAG	DIG. PIN MUX CONFIG REG	DIG. PIN MUX CONFIG MODE VALUE	SIGNAL NAME	SIGNAL DESCRIPTION	SIGNAL DIRECTION	LPDS ⁽¹⁾	HIB ⁽²⁾	nRESET = 0
GPIO12	I/O	No	No	No	GPIO_PAD_CONFIG_12 (0x4402 E0D0)	0	GPIO12	General Purpose I/O	I/O	Hi-Z	Hi-Z	Hi-Z
						3	McACLK	I2S Audio Port Clock O	O	Hi-Z		
						4	pVS (VSYNC)	Parallel Camera Vertical Sync	I	Hi-Z		
						5	I2C_SCL	I2C Clock	I/O (Open Drain)	Hi-Z		
						7	UART0_TX	UART0 TX Data	O	1		
						12	GT_CCP03	Timer Capture Port	I	Hi-Z		
GPIO13	I/O	Yes	No	No	GPIO_PAD_CONFIG_13 (0x4402 E0D4)	0	GPIO13	General-Purpose I/O	I/O	Hi-Z	Hi-Z	Hi-Z
						5	I2C_SDA	I2C Data	I/O (Open Drain)			
						4	pHS (HSYNC)	Parallel Camera Horizontal Sync	I			
						7	UART0_RX	UART0 RX Data	I			
						12	GT_CCP04	Timer Capture Port	I			
GPIO14	I/O		No	No	GPIO_PAD_CONFIG_14 (0x4402 E0D8)	0	GPIO14	General-Purpose I/O	I/O	Hi-Z	Hi-Z	Hi-Z
						5	I2C_SCL	I2C Clock	I/O (Open Drain)			
						7	GSPI_CLK	General SPI Clock	I/O			
						4	pDATA8 (CAM_D4)	Parallel Camera Data Bit 4	I			
						12	GT_CCP05	Timer Capture Port	I			
GPIO15	I/O		No	No	GPIO_PAD_CONFIG_15 (0x4402 E0DC)	0	GPIO15	General-Purpose I/O	I/O	Hi-Z	Hi-Z	Hi-Z
						5	I2C_SDA	I2C Data	I/O (Open Drain)			
						7	GSPI_MISO	General SPI MISO	I/O			
						4	pDATA9 (CAM_D5)	Parallel Camera Data Bit 5	I			
						13	GT_CCP06	Timer Capture Port	I			
						8	SDCARD_DATA0	SD Card Data	I/O			
GPIO16	I/O		No	No	GPIO_PAD_CONFIG_16 (0x4402 E0E0)	0	GPIO16	General-Purpose I/O	I/O	Hi-Z	Hi-Z	Hi-Z
										Hi-Z		
										Hi-Z		
						7	GSPI_MOSI	General SPI MOSI	I/O	Hi-Z		
						4	pDATA10 (CAM_D6)	Parallel Camera Data Bit 6	I	Hi-Z		
						5	UART1_TX	UART1 TX Data	O	1		
						13	GT_CCP07	Timer Capture Port	I	Hi-Z		
8	SDCARD_CLK	SD Card Clock	O	O								

表 7-1. Pin Multiplexing (continued)

GENERAL PIN ATTRIBUTES					FUNCTION					PAD STATES		
PIN ALIAS	USE	SELECT AS WAKEUP SOURCE	CONFIG ADDL ANALOG MUX	MUXED WITH JTAG	DIG. PIN MUX CONFIG REG	DIG. PIN MUX CONFIG MODE VALUE	SIGNAL NAME	SIGNAL DESCRIPTION	SIGNAL DIRECTION	LPDS ⁽¹⁾	HIB ⁽²⁾	nRESET = 0
GPIO17	I/O	Wake-Up Source	No	No	GPIO_PAD_CONFIG_17 (0x4402 E0E4)	0	GPIO17	General-Purpose I/O	I/O	Hi-Z	Hi-Z	Hi-Z
						5	UART1_RX	UART1 RX Data	I			
						7	GSPI_CS	General SPI Chip Select	I/O			
						4	pDATA11 (CAM_D7)	Parallel Camera Data Bit 7	I			
						8	SDCARD_CMD	SD Card Command Line	I/O			
GPIO22	I/O	No	No	No	GPIO_PAD_CONFIG_22 (0x4402 E0F8)	0	GPIO22	General-Purpose I/O	I/O	Hi-Z	Hi-Z	Hi-Z
						7	McAFSX	I2S Audio Port Frame Sync	O	Hi-Z		
						5	GT_CCP04	Timer Capture Port	I			
TDI	I/O	No	No	MUXed with JTAG TDI	GPIO_PAD_CONFIG_23 (0x4402 E0FC)	1	TDI	JTAG TDI. Reset Default Pinout.	I	Hi-Z	Hi-Z	Hi-Z
						0	GPIO23	General-Purpose I/O	I/O			
						2	UART1_TX	UART1 TX Data	O	1		
						9	I2C_SCL	I2C Clock	I/O (Open Drain)	Hi-Z		
TDO	I/O	Wake-Up Source	No	MUXed with JTAG TDO	GPIO_PAD_CONFIG_24 (0x4402 E100)	1	TDO	JTAG TDO. Reset Default Pinout.	O	Hi-Z	Hi-Z	Hi-Z
						0	GPIO24	General-Purpose I/O	I/O			
						5	PWM0	Pulse Width Modulated O/P	O			
						2	UART1_RX	UART1 RX Data	I			
						9	I2C_SDA	I2C Data	I/O (Open Drain)			
						4	GT_CCP06	Timer Capture Port	I			
						6	McAFSX	I2S Audio Port Frame Sync	O			
GPIO28	I/O		No		GPIO_PAD_CONFIG_28 (0x4402 E110)	0	GPIO28	General-Purpose I/O	I/O	Hi-Z	Hi-Z	Hi-Z
TCK	I/O	No	No	MUXed with JTAG/SWD-TCK		1	TCK	JTAG/SWD TCK Reset Default Pinout	I	Hi-Z	Hi-Z	Hi-Z
						8	GT_PWM03	Pulse Width Modulated O/P	O			
TMS	I/O	No	No	MUXed with JTAG/SWD-TMSC	GPIO_PAD_CONFIG_29 (0x4402 E114)	1	TMS	JTAG/SWD TMS Reset Default Pinout	I/O	Hi-Z	Hi-Z	Hi-Z
						0	GPIO29	General-Purpose I/O				

表 7-1. Pin Multiplexing (continued)

GENERAL PIN ATTRIBUTES					FUNCTION					PAD STATES		
PIN ALIAS	USE	SELECT AS WAKEUP SOURCE	CONFIG ADDL ANALOG MUX	MUXED WITH JTAG	DIG. PIN MUX CONFIG REG	DIG. PIN MUX CONFIG MODE VALUE	SIGNAL NAME	SIGNAL DESCRIPTION	SIGNAL DIRECTION	LPDS ⁽¹⁾	HIB ⁽²⁾	nRESET = 0
SOP2	O Only	No	No	No	GPIO_PAD_CONFIG_25 (0x4402 E104)	0	GPIO25	General-Purpose I/O	O	Hi-Z	Driven Low	Hi-Z
						9	GT_PWM02	Pulse Width Modulated O/P	O	Hi-Z		
						2	McAFSX	I2S Audio Port Frame Sync	O	Hi-Z		
						See ⁽⁵⁾	SOP2	Sense-On-Power 2	I			
ANTSEL1	O Only	No	User config not required ⁽⁶⁾	No	GPIO_PAD_CONFIG_26 (0x4402 E108)	0	ANTSEL1 ⁽³⁾	Antenna Selection Control	O	Hi-Z	Hi-Z	Hi-Z
ANTSEL2	O Only	No	User config not required ⁽⁶⁾	No	GPIO_PAD_CONFIG_27 (0x4402 E10C)	0	ANTSEL2 ⁽³⁾	Antenna Selection Control	O	Hi-Z	Hi-Z	Hi-Z
SOP1	Config Sense	N/A	N/A	N/A	N/A		SOP1	Sense On Power 1				
SOP0	Config Sense	N/A	N/A	N/A	N/A		SOP0	Sense On Power 0				
GPIO0	I/O	No	User config not required ⁽⁶⁾	No	GPIO_PAD_CONFIG_0 (0x4402 E0A0)	0	GPIO0	General-Purpose I/O	I/O	Hi-Z	Hi-Z	Hi-Z
						12	UART0_CTS	UART0 Clear To Send Input (Active Low)	I	Hi-Z		
						6	McAXR1	I2S Audio Port Data 1 (RX or TX)	I/O	Hi-Z		
						7	GT_CCP00	Timer Capture Port	I	Hi-Z		
						9	GSPI_CS	General SPI Chip Select	I/O	Hi-Z		
						10	UART1_RTS	UART1 Request To Send O (Active Low)	O	1		
						3	UART0_RTS	UART0 Request To Send O (Active Low)	O	1		
4	McAXR0	I2S Audio Port Data 0 (RX or TX)	I/O	Hi-Z								
GPIO30	I/O	No	User config not required ⁽⁶⁾	No	GPIO_PAD_CONFIG_30 (0x4402 E118)	0	GPIO30	General-Purpose I/O	I/O	Hi-Z	Hi-Z	Hi-Z
						9	UART0_TX	UART0 TX Data	O	1		
						2	McACLK	I2S Audio Port Clock O	O	Hi-Z		
						3	McAFSX	I2S Audio Port Frame Sync	O	Hi-Z		
						4	GT_CCP05	Timer Capture Port	I	Hi-Z		
						7	GSPI_MISO	General SPI MISO	I/O	Hi-Z		
GPIO1	I/O	No	No	No	GPIO_PAD_CONFIG_1 (0x4402 E0A4)	0	GPIO1	General-Purpose I/O	I/O	Hi-Z	Hi-Z	Hi-Z
						3	UART0_TX	UART0 TX Data	O	1		
						4	pCLK (PIXCLK)	Pixel Clock From Parallel Camera Sensor	I	Hi-Z		
						6	UART1_TX	UART1 TX Data	O	1		
						7	GT_CCP01	Timer Capture Port	I	Hi-Z		

表 7-1. Pin Multiplexing (continued)

GENERAL PIN ATTRIBUTES					FUNCTION					PAD STATES		
PIN ALIAS	USE	SELECT AS WAKEUP SOURCE	CONFIG ADDL ANALOG MUX	MUXED WITH JTAG	DIG. PIN MUX CONFIG REG	DIG. PIN MUX CONFIG MODE VALUE	SIGNAL NAME	SIGNAL DESCRIPTION	SIGNAL DIRECTION	LPDS ⁽¹⁾	HIB ⁽²⁾	nRESET = 0
GPIO2	Analog Input (up to 1.8 V), Digital I/O	Wake-Up Source	See (7)	No	GPIO_PAD_CONFIG_2 (0x4402 E0A8)	See (4)	ADC_CH0	ADC Channel 0 Input (1.5-V max)	I		Hi-Z	Hi-Z
						0	GPIO2	General-Purpose I/O	I/O	Hi-Z		
						3	UART0_RX	UART0 RX Data	I	Hi-Z		
						6	UART1_RX	UART1 RX Data	I	Hi-Z		
						7	GT_CCP02	Timer Capture Port	I	Hi-Z		
GPIO3	Analog Input (up to 1.8 V), Digital I/O	No	See (7)	No	GPIO_PAD_CONFIG_3 (0x4402 E0AC)	See (4)	ADC_CH1	ADC Channel 1 Input (1.5-V max)	I		Hi-Z	Hi-Z
						0	GPIO3	General-Purpose I/O	I/O	Hi-Z		
						6	UART1_TX	UART1 TX Data	O	1		
						4	pDATA7 (CAM_D3)	Parallel Camera Data Bit 3	I	Hi-Z		
GPIO4	Analog Input (up to 1.8 V), Digital I/O	Wake-up Source	See (7)	No	GPIO_PAD_CONFIG_4 (0x4402 E0B0)	See (4)	ADC_CH2	ADC Channel 2 Input (1.5-V max)	I		Hi-Z	Hi-Z
						0	GPIO4	General-Purpose I/O	I/O	Hi-Z		
						6	UART1_RX	UART1 RX Data	I	Hi-Z		
						4	pDATA6 (CAM_D2)	Parallel Camera Data Bit 2	I	Hi-Z		
GPIO5	Analog Input (up to 1.8 V), Digital I/O	No	See (7)	No	GPIO_PAD_CONFIG_5 (0x4402 E0B4)	See (4)	ADC_CH3	ADC Channel 3 Input (1.5-V max)	I		Hi-Z	Hi-Z
						0	GPIO5	General-Purpose I/O	I/O	Hi-Z		
						4	pDATA5 (CAM_D1)	Parallel Camera Data Bit 1	I	Hi-Z		
						6	McAXR1	I2S Audio Port Data 1 (RX or TX)	I/O	Hi-Z		
						7	GT_CCP05	Timer Capture Port	I	Hi-Z		
GPIO6	No	No	No	No	GPIO_PAD_CONFIG_6 (0x4402 E0B8)	0	GPIO6	General-Purpose I/O	I/O	Hi-Z	Hi-Z	Hi-Z
						5	UART0_RTS	UART0 Request To Send O (Active Low)	O	1		
						4	pDATA4 (CAM_D0)	Parallel Camera Data Bit 0	I	Hi-Z		
						3	UART1_CTS	UART1 Clear To Send Input (Active Low)	I	Hi-Z		
						6	UART0_CTS	UART0 Clear To Send Input (Active Low)	I	Hi-Z		
						7	GT_CCP06	Timer Capture Port	I	Hi-Z		

表 7-1. Pin Multiplexing (continued)

GENERAL PIN ATTRIBUTES					FUNCTION					PAD STATES		
PIN ALIAS	USE	SELECT AS WAKEUP SOURCE	CONFIG ADDL ANALOG MUX	MUXED WITH JTAG	DIG. PIN MUX CONFIG REG	DIG. PIN MUX CONFIG MODE VALUE	SIGNAL NAME	SIGNAL DESCRIPTION	SIGNAL DIRECTION	LPDS ⁽¹⁾	HIB ⁽²⁾	nRESET = 0
GPIO7	I/O	No	No	No	GPIO_PAD_CONFIG_7 (0x4402 E0BC)	0	GPIO7	General-Purpose I/O	I/O	Hi-Z	Hi-Z	Hi-Z
						13	McACLKX	I2S Audio Port Clock O	O	Hi-Z		
						3	UART1_RTS	UART1 Request To Send O (Active Low)	O	1		
						10	UART0_RTS	UART0 Request To Send O (Active Low)	O	1		
						11	UART0_TX	UART0 TX Data	O	1		
GPIO8	I/O	No	No	No	GPIO_PAD_CONFIG_8 (0x4402 E0C0)	0	GPIO8	General-Purpose I/O	I/O	Hi-Z	Hi-Z	Hi-Z
						6	SDCARD_IRQ	Interrupt from SD Card (Future support)	I			
						7	McAFSX	I2S Audio Port Frame Sync	O			
						12	GT_CCP06	Timer Capture Port	I			
GPIO9	I/O	No	No	No	GPIO_PAD_CONFIG_9 (0x4402 E0C4)	0	GPIO9	General-Purpose I/O	I/O	Hi-Z	Hi-Z	Hi-Z
						3	GT_PWM05	Pulse Width Modulated O/P	O			
						6	SDCARD_DATA0	SD Card Data	I/O			
						7	McAXR0	I2S Audio Port Data (Rx or Tx)	I/O			
						12	GT_CCP00	Timer Capture Port	I			

- (1) LPDS state: The state of unused I/Os is Hi-Z. Software may program the I/Os to be input with pull or drive (regardless of active pin configuration), according to the need.
- (2) Hibernate mode: The state of the I/Os is Hi-Z. Software may program the I/Os to be input with pull or drive (regardless of active pin configuration), according to the need.
- (3) To minimize leakage in some serial Flash vendors during LPDS, TI recommends that the user application always enables internal weak pulldowns on FLASH_SPI_DIN, FLASH_SPI_DOUT, and FLASH_SPI_CLK pins.
- (4) For details on proper use, see [Drive Strength and Reset States for Analog-Digital Multiplexed Pins](#).
- (5) Pin is one of three that must have a passive pullup or pulldown resistor onboard to configure the chip hardware power-up mode. For this reason, the pin must be output only when used for digital functions.
- (6) Device firmware automatically enables the digital path during ROM boot.
- (7) Requires user configuration to enable the analog switch of the ADC channel. (Switch is off by default.) The digital I/O is always connected and must be made Hi-Z before enabling the ADC switch.

7.4 Recommended Pin Multiplexing Configurations

表 7-2 lists the recommended pin multiplexing configurations.

表 7-2. Recommended Pin Multiplexing Configurations

CC3220MODx RECOMMENDED PINOUT GROUPING USE - EXAMPLES ⁽¹⁾											
	Home Security High-end Toys	Wi-Fi Audio ++ Industrial	Sensor-Tag	Home Security Toys	Wi-Fi Audio ++ Industrial	Wi-Fi Remote w/ 7x7 keypad and audio	Sensor Door-Lock Fire-Alarm Toys w/o Cam	Industrial Home Appliances	Industrial Home Appliances Smart-Plugs	Industrial Home Appliances	GPIOs
	Cam + I2S (TX or RX) + I2C + SPI + SWD + UART-TX + (App Logger) 2 GPIO + 1 PWM + *4 overlaid wake up from Hib	I2S (TX and RX) + 1-Ch ADC + 1x 4-wire UART + 1x 2-wire UART + 1-bit SD Card + SPI + I2C + SWD + 3 GPIO + 1 PWM + 1 GPIO with Wake-From-Hib	I2S (TX and RX) + 2-Ch ADC + 2-wire UART + SPI + I2C + SWD + 2 PWM + 6 GPIO + 3 GPIO with Wake-From-Hib	Cam + I2S (TX or RX) + I2C + SWD + UART-TX + (App Logger) 4 GPIO + 1 PWM + *4 overlaid wake up from HIB	I2S (TX and RX) + 1 Ch ADC + 2x 2-wire UART + 1-bit SD Card + SPI + I2C + SWD + 4 GPIO + 1 PWM + 1 GPIO with Wake-From-Hib	I2S (TX and RX) + 1-Ch ADC + UART (TX Only) I2C + SWD + 15 GPIO + 1 PWM + 1 GPIO with Wake-From-Hib	I2S (TX or RX) + 2-Ch ADC + 2-wire UART + SPI + I2C + 3 PMW + 3 GPIO with Wake-From-Hib + 5 GPIO SWD +	4-Ch ADC + 1x 4-wire UART + 1x 2-wire UART + SPI + I2C + SWD + 1 PWM + 6 GPIO + 1 GPIO with Wake-From-Hib	3-Ch ADC + 2-wire UART + SPI + I2C + SWD + 3 PWM + 9 GPIO + 2 GPIO with Wake-From-Hib	2-Ch ADC + 2-wire UART + I2C + SWD + 3 PWM + 11 GPIO + 5 GPIO with Wake-From-Hib	
Pin	Pinout 11	Pinout 10	Pinout 9	Pinout 8	Pinout 7	Pinout 6	Pinout 5	Pinout 4	Pinout 3	Pinout 2	Pinout 1
GPIO_30	GSPI-MISO	MCASP-ACLKX	MCASP-ACLKX	GPIO_30	GPIO_30	GPIO_30	GPIO_30	UART0-TX	GPIO_30	UART0-TX	GPIO_30
GPIO_0	GSPI-CS	McASP-D1 (RX)	McASP-D1	McASP-D1	McASP-D1	McASP-D1	McASP-D1	UART0-CTS	GPIO_0	GPIO_0	GPIO_0
GPIO_1	pCLK (PIXCLK)	UART0-TX	UART0-TX	PIXCLK	UART0-TX	UART0-TX	UART0-TX	GPIO-1	UART0-TX	GPIO_1	GPIO_1
GPIO_2	(wake) GPIO2	UART0-RX	UART0-RX	(wake) GPIO2	UART0-RX	GPIO_2	UART0-RX	ADC-0	UART0-RX	(wake) GPIO_2	(wake) GPIO_2
GPIO_3	pDATA7 (D3)	UART1-TX	ADC-CH1	pDATA7 (D3)	UART1-TX	GPIO_3	ADC-1	ADC-1	ADC-1	ADC-1	GPIO_3
GPIO_4	pDATA6 (D2)	UART1-RX	(wake) GPIO_4	pDATA6 (D2)	UART1-RX	GPIO_4	(wake) GPIO_4	ADC-2	ADC-2	(wake) GPIO_4	(wake) GPIO_4
GPIO_5	pDATA5 (D1)	ADC-3	ADC-3	pDATA5 (D1)	ADC-3	ADC-3	ADC-3	ADC-3	ADC-3	ADC-3	GPIO_5
GPIO_6	pDATA4 (D0)	UART1-CTS	GPIO_6	pDATA4 (D0)	GPIO_6	GPIO_6	GPIO_6	UART0-RTS	GPIO_6	GPIO_6	GPIO_6
GPIO_7	McASP-ACLKX	UART1-RTS	GPIO_7	McASP-ACLKX	McASP-ACLKX	McASP-ACLKX	McASP-ACLKX	GPIO_7	GPIO_7	GPIO_7	GPIO_7
GPIO_8	McASP-AFSX	SDCARD-IRQ	McASP-AFSX	McASP-AFSX	SDCARD-IRQ	GPIO_8	GPIO_8	GPIO_8	GPIO_8	GPIO_8	GPIO_8
GPIO_9	McASP-D0	SDCARD-DATA	GT_PWM 5	McASP-D0	SDCARD-DATA	GPIO_9	GT_PWM 5	GT_PWM 5	GT_PWM 5	GT_PWM 5	GPIO_9
GPIO_10	UART1-TX	SDCARD-CLK	GPIO_10	UART1-TX	SDCARD-CLK	GPIO_10	GT_PWM 6	UART1-TX	GT_PWM 6	GPIO_10	GPIO_10
GPIO_11	(wake) pXCLK (XVCLK)	SDCARD-CMD	(wake) GPIO_11	(wake) pXCLK (XVCLK)	SDCARD-CMD	GPIO_11	(wake) GPIO_11	UART1-RX	(wake) GPIO_11	(wake) GPIO_11	(wake) GPIO_11
GPIO_12	pVS (VSYNC)	I2C-SCL	I2C-SCL	pVS (VSYNC)	I2C-SCL	GPIO_12	I2C-SCL	I2C-SCL	I2C-SCL	GPIO_12	GPIO_12

表 7-2. Recommended Pin Multiplexing Configurations (continued)

CC3220MODx RECOMMENDED PINOUT GROUPING USE - EXAMPLES ⁽¹⁾											
GPIO_13	(wake) pHS (HSYNC)	I2C-SDA	I2C-SDA	(wake) pHS (HSYNC)	I2C-SDA	GPIO_13	I2C-SDA	I2C-SDA	I2C-SDA	(wake) GPIO_13	(wake) GPIO_13
GPIO_14	pDATA8 (D4)	GSPI- CLK	GSPI- CLK	pDATA8 (D4)	GSPI- CLK	I2C-SCL	GSPI- CLK	GSPI- CLK	GSPI- CLK	I2C-SCL	GPIO_14
GPIO_15	pDATA9 (D5)	GSPI- MISO	GSPI- MISO	pDATA9 (D5)	GSPI- MISO	I2C-SDA	GSPI- MISO	GSPI- MISO	GSPI- MISO	I2C-SDA	GPIO_15
GPIO_16	pDATA10 (D6)	GSPI- MOSI	GSPI- MOSI	pDATA10 (D6)	GSPI- MOSI	GPIO_16	GSPI- MOSI	GSPI- MOSI	GSPI- MOSI	GPIO_16	GPIO_16
GPIO_17	(wake) pDATA11 (D7)	GSPI-CS	GSPI-CS	(wake) pDATA11 (D7)	GSPI-CS	GPIO_17	GSPI-CS	GSPI-CS	GSPI-CS	(wake) GPIO_17	(wake) GPIO_17
GPIO_22	GPIO_22	GPIO_22	GPIO_22	GPIO_22	GPIO_22	GPIO_22	GPIO_22	GPIO_22	GPIO_22	GPIO_22	GPIO_22
GPIO_23	I2C-SCL	GPIO_23	GPIO_23	I2C-SCL	GPIO_23	GPIO_23	GPIO_23	GPIO_23	GPIO_23	GPIO_23	GPIO_23
GPIO_24	I2C-SDA	(wake) GPIO_24	(wake) GPIO_24	I2C-SDA	(wake) GPIO_24	(wake) GPIO_24	(wake) GPIO_24	(wake) GPIO_24	(wake) GPIO_24	GT- PWM0	(wake) GPIO_24
JTAG_TC K	SWD- TCK	SWD- TCK	SWD- TCK	SWD- TCK	SWD- TCK	SWD- TCK	SWD- TCK	SWD- TCK	SWD- TCK	SWD- TCK	SWD- TCK
JTAG_TM S	SWD- TMS	SWD- TMS	SWD- TMS	SWD- TMS	SWD- TMS	SWD- TMS	SWD- TMS	SWD- TMS	SWD- TMS	SWD- TMS	SWD- TMS
GPIO_28	GPIO_28	GPIO_28	GPIO_28	GPIO_28	GPIO_28	GPIO_28	GPIO_28	GPIO_28	GPIO_28	GPIO_28	GPIO_28
GPIO_25	GT_PWM 2	GT_PWM 2	GT_PWM 2	GT_PWM 2	GT_PWM 2	GT_PWM 2	GT_PWM 2	GT_PWM 2	GT_PWM 2	GT_PWM 2	GPIO_25 out only

- (1) Pins marked *wake* can be configured to wake up the chip from HIBERNATE or LPDS state. In the current silicon revision, any wake pin can trigger wake up from HIBERNATE. The wake-up monitor in the hibernate control module logically ORs these pins applying a selection mask. However, wake up from LPDS state can be triggered only by one of the wake-up pins that can be configured before entering LPDS. The core digital wake-up monitor use a mux to select one of these pins to monitor.

7.4.1 ADC Reference Accuracy Specifications

The ADC accuracy is 1% at room temperature and 2% across temperature.

7.5 Drive Strength and Reset States for Analog-Digital Multiplexed Pins

表 7-3 describes the use, drive strength, and default state of analog- and digital-multiplexed pins at first-time power up and reset (nRESET pulled low).

表 7-3. Drive Strength and Reset States for Analog-Digital Multiplexed Pins

PIN	BOARD LEVEL CONFIGURATION AND USE	DEFAULT STATE AT FIRST POWER UP OR FORCED RESET	STATE AFTER CONFIGURATION OF ANALOG SWITCHES (ACTIVE, LPDS, and HIB POWER MODES)	MAXIMUM EFFECTIVE DRIVE STRENGTH (mA)
25	Connected to the enable pin of the RF switch (ANT_SEL1). Other use is not recommended.	Analog is isolated. The digital I/O cell is also isolated.	Determined by the I/O state, as are other digital I/Os.	4
26	Connected to the enable pin of the RF switch (ANT_SEL2). Other use is not recommended.	Analog is isolated. The digital I/O cell is also isolated.	Determined by the I/O state, as are other digital I/Os.	4
44	Generic I/O	Analog is isolated. The digital I/O cell is also isolated.	Determined by the I/O state, as are other digital I/Os.	4
42	Generic I/O	Analog is isolated. The digital I/O cell is also isolated.	Determined by the I/O state, as are other digital I/Os.	4
47	Analog signal (1.8-V absolute, 1.46-V full scale)	ADC is isolated. The digital I/O cell is also isolated.	Determined by the I/O state, as are other digital I/Os.	4
48	Analog signal (1.8-V absolute, 1.46-V full scale)	ADC is isolated. The digital I/O cell is also isolated.	Determined by the I/O state, as are other digital I/Os.	4
49	Analog signal (1.8-V absolute, 1.46-V full scale)	ADC is isolated. The digital I/O cell is also isolated.	Determined by the I/O state, as are other digital I/Os.	4
50	Analog signal (1.8-V absolute, 1.46-V full scale)	ADC is isolated. The digital I/O cell is also isolated.	Determined by the I/O state, as are other digital I/Os.	4

7.6 Pad State After Application of Power to Chip, but Before Reset Release

When a stable power is applied to the CC3200 device for the first time or when supply voltage is restored to the proper value following a prior period with supply voltage below 1.5 V, the level of the digital pads are undefined in the period starting from the release of nRESET and until the DIG_DCDC of the CC3220x chip powers up. This period is less than approximately 10 ms. During this period, pads can be internally pulled weakly in either direction. If a certain set of pins are required to have a definite value during this pre-reset period, an appropriate pullup or pulldown must be used at the board level. The recommended value of this external pull is 2.7 k Ω .

8 Specifications

8.1 Absolute Maximum Ratings

All measurements are referenced at the module pins unless otherwise indicated. All specifications are over process and voltage unless otherwise indicated.

Over operating free-air temperature range (unless otherwise noted)^{(1) (2)}

	MIN	MAX	UNIT
V _{BAT} and V _{IO}	- 0.5	3.8	V
Digital I/O	- 0.5	V _{BAT} + 0.5	V
RF pin	- 0.5	2.1	V
Analog pins	- 0.5	2.1	V
Operating temperature (T _A)	- 40	85	°C
Storage temperature (T _{stg})	- 40	85	°C

- (1) Stresses beyond those listed under *Absolute Maximum Ratings* may cause permanent damage to the device. These are stress ratings only, and functional operation of the device at these or any other conditions beyond those indicated under *Recommended Operating Conditions* is not implied. Exposure to absolute-maximum-rated conditions for extended periods may affect device reliability.
- (2) All voltage values are with respect to V_{SS}, unless otherwise noted.

8.2 ESD Ratings

		VALUE	UNIT
V _{ESD}	Electrostatic discharge	Human body model (HBM), per ANSI/ESDA/JEDEC JS001 ⁽¹⁾	±1000
		Charged device model (CDM), per JESD22-C101 ⁽²⁾	±250
		All pins	V

- (1) JEDEC document JEP155 states that 500-V HBM allows safe manufacturing with a standard ESD control process.
- (2) JEDEC document JEP157 states that 250-V CDM allows safe manufacturing with a standard ESD control process.

8.3 Power-On Hours (POH)

NOTE: This information is provided solely for your convenience and does not extend or modify the warranty provided under TI's standard terms and conditions for TI semiconductor products.

OPERATING CONDITION	JUNCTION TEMPERATURE (T _J)	POWER-ON HOURS [POH] (hours)
20% active mode 80% sleep mode	T _{Ambient} up to 85°C	87600 ⁽¹⁾

- (1) The CC3200MOD device can be operated reliably for 10 years.

8.4 Recommended Operating Conditions

over operating free-air temperature range (unless otherwise noted)⁽¹⁾

	MIN	TYP	MAX	UNIT
V _{BAT} and V _{IO}	2.3	3.3	3.6	V
Operating temperature	- 20	25	70	°C
Ambient thermal slew	- 20		20	°C/minute

- (1) To ensure WLAN performance, the ripple on the power supply must be less than ±300 mV. The ripple should not cause the supply to fall below the brownout voltage.

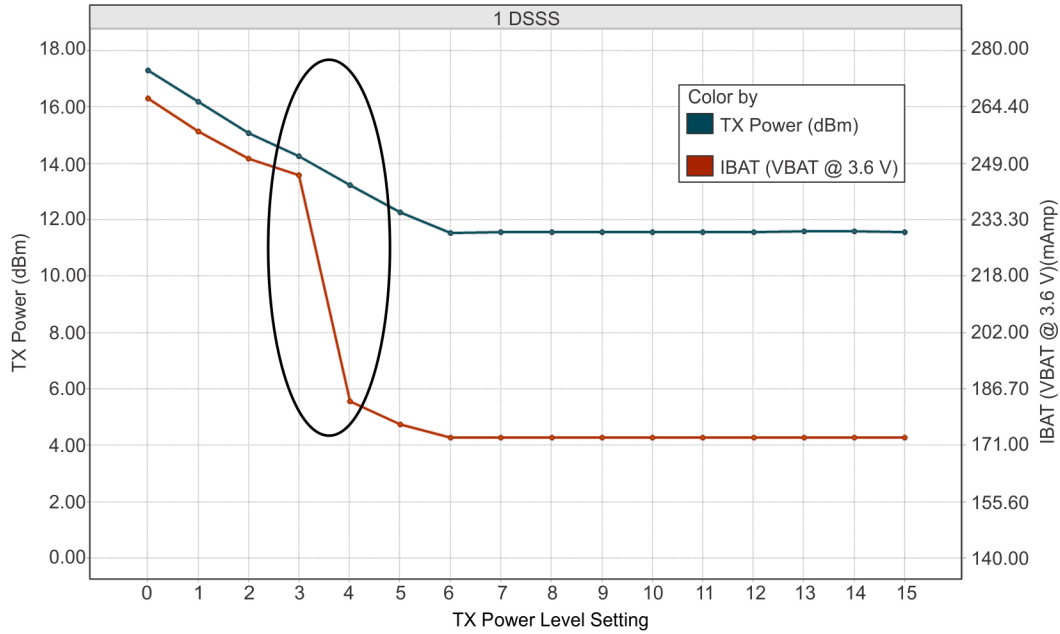
8.5 Power Consumption Summary

8.5.1 Current Consumption

 $T_A = 25\text{ }^\circ\text{C}$, $V_{BAT} = 3.6\text{ V}$

PARAMETER		TEST CONDITIONS ^{(1) (5)}		MIN	TYP	MAX	UNIT
MCU ACTIVE	NWP ACTIVE	TX	1 DSSS	TX power level = 0	278		mA
				TX power level = 4	194		
			6 OFDM	TX power level = 0	254		
				TX power level = 4	185		
			54 OFDM	TX power level = 0	229		
				TX power level = 4	166		
		RX	1 DSSS	59			
			54 OFDM	59			
NWP idle connected ⁽³⁾				15.3			
MCU SLEEP	NWP ACTIVE	TX	1 DSSS	TX power level = 0	275		mA
				TX power level = 4	191		
			6 OFDM	TX power level = 0	251		
				TX power level = 4	182		
			54 OFDM	TX power level = 0	226		
				TX power level = 4	163		
		RX	1 DSSS	56			
			54 OFDM	56			
NWP idle connected ⁽³⁾				12.2			
MCU LPDS	NWP active	TX	1 DSSS	TX power level = 0	272		mA
				TX power level = 4	188		
			6 OFDM	TX power level = 0	248		
				TX power level = 4	179		
			54 OFDM	TX power level = 0	223		
				TX power level = 4	160		
		RX	1 DSSS	53			
			54 OFDM	53			
NWP LPDS ⁽²⁾				0.275			
NWP idle connected ⁽³⁾				0.875			
MCU hibernate	NWP hibernate		7		μA		
Peak calibration current ⁽⁴⁾		$V_{BAT} = 3.3\text{ V}$		450		mA	
		$V_{BAT} = 2.3\text{ V}$		620			

- (1) TX power level = 0 implies maximum power (see [Fig 8-1](#) through [Fig 8-3](#)). TX power level = 4 implies output power backed off approximately 4 dB.
- (2) The LPDS number reported is with retention of 64KB MCU SRAM. The CC3200 device can be configured to retain 0KB, 64KB, 128KB, 192KB or 256KB SRAM in LPDS. Each 64KB retained increases LPDS current by 4 μA.
- (3) DTIM = 1
- (4) The complete calibration can take up to 17 mJ of energy from the battery over a time of 24 ms. Calibration is performed sparingly, typically when coming out of Hibernate and only if temperature has changed by more than 20°C or the time elapsed from prior calibration is greater than 24 hours.
- (5) The CC3200 system is a constant power-source system. The active current numbers scale based on the V_{BAT} voltage supplied.



Note: The area enclosed in the circle represents a significant reduction in current when transitioning from TX power level 3 to 4. In the case of lower range requirements (13-dBm output power), TI recommends using TX power level 4 to reduce the current.

图 8-1. TX Power and IBAT vs TX Power Level Settings (1 DSSS)

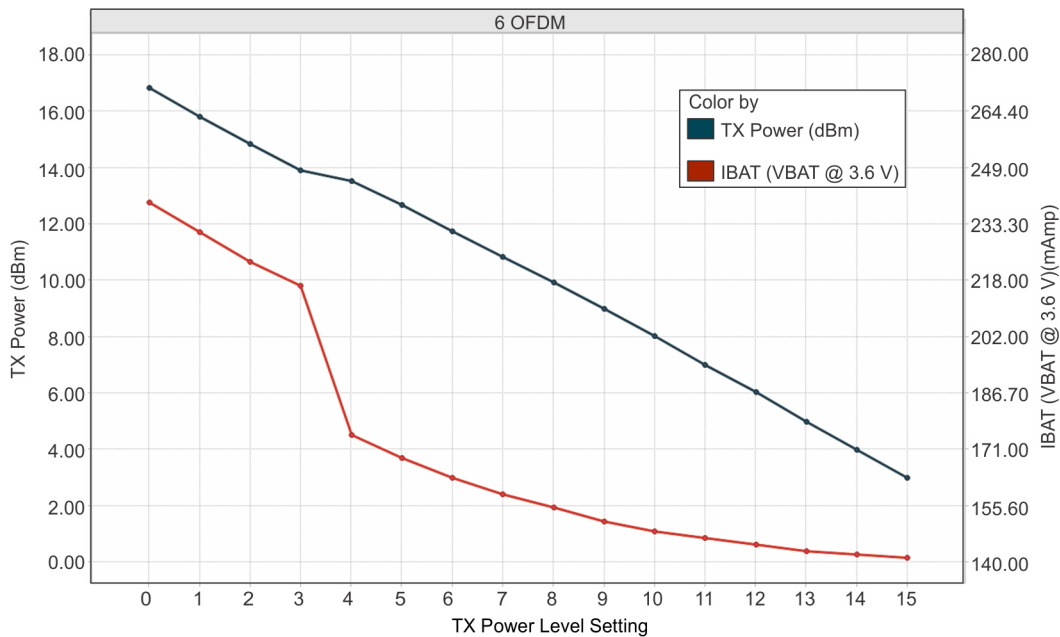


图 8-2. TX Power and IBAT vs TX Power Level Settings (6 OFDM)

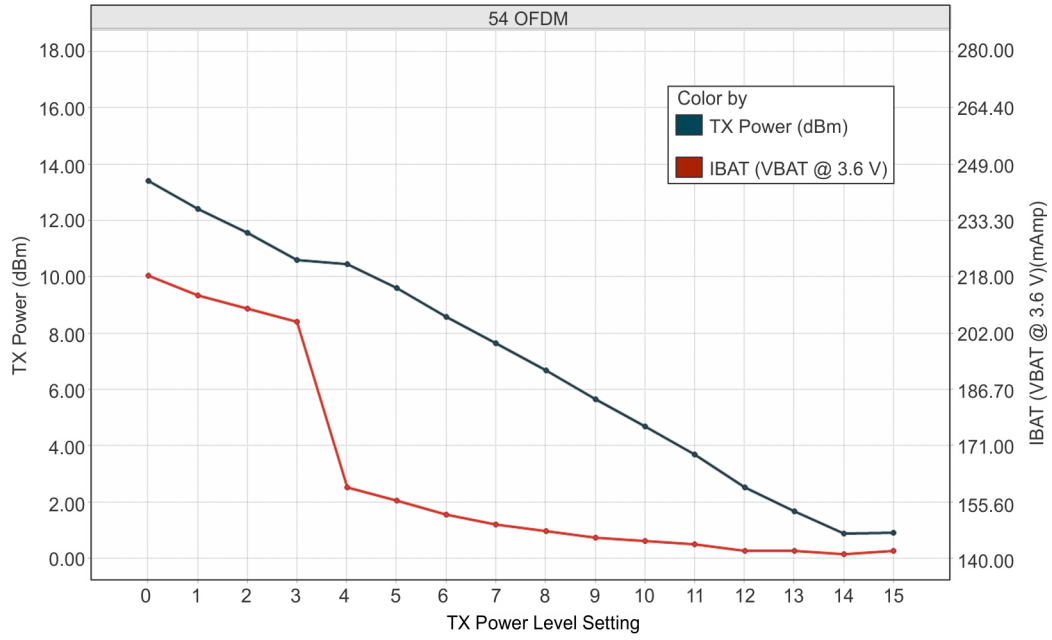


图 8-3. TX Power and IBAT vs TX Power Level Settings (54 OFDM)

8.6 Brownout and Blackout Conditions

The module enters a brownout condition whenever the input voltage dips below V_{BROWNOUT} (see 图 8-4 and 图 8-5). This condition must be considered during design of the power supply routing, especially if operating from a battery. High-current operations, such as a TX packet or any external activity (not necessarily related directly to networking) can cause a drop in the supply voltage, potentially triggering a brownout. The resistance includes the internal resistance of the battery, contact resistance of the battery holder (four contacts for a 2× AA battery), and the wiring and PCB routing resistance.

Note

When the module is in HIBERNATE state, brownout is not detected. Only blackout is in effect during HIBERNATE state.

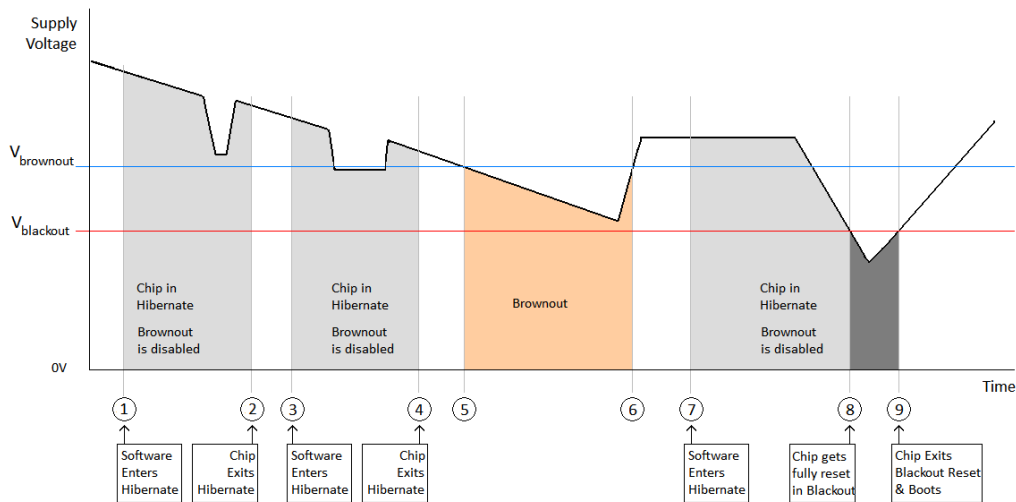


图 8-4. Brownout and Blackout Levels (1 of 2)

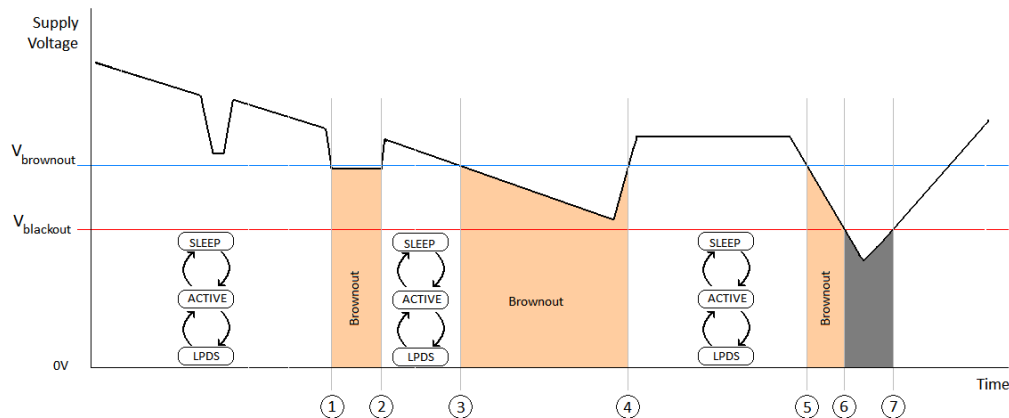


图 8-5. Brownout and Blackout Levels (2 of 2)

In the brownout condition, all sections of the CC3200MOD shut down within the module except for the Hibernate block (including the 32-kHz RTC clock), which remains on. The current in this state can reach approximately 400 μA . The blackout condition is equivalent to a hardware reset event in which all states within the module are lost. $V_{\text{brownout}} = 2.1 \text{ V}$ and $V_{\text{blackout}} = 1.67 \text{ V}$

表 8-1 lists the brownout and blackout voltage levels.

表 8-1. Brownout and Blackout Voltage Levels

CONDITION	VOLTAGE LEVEL	UNIT
V_{brownout}	2.1	V
V_{blackout}	1.67	V

8.7 WLAN RF Characteristics

8.7.1 WLAN Receiver Characteristics

T_A = 25°C, V_{BAT} = 2.3 to 3.6 V. Parameters measured at module pin on channel 7 (2442 MHz).

PARAMETER	RATE	MIN	TYP	MAX	UNIT
Sensitivity (8% PER for 11b rates, 10% PER for 11g or 11n rates) (10% PER) ⁽¹⁾	1 DSSS		- 94.7		dBm
	2 DSSS		- 92.6		
	11 CCK		- 87.0		
	6 OFDM		- 89.0		
	9 OFDM		- 88.0		
	18 OFDM		- 85.0		
	36 OFDM		- 79.5		
	54 OFDM		- 73.0		
	MCS7 (Mixed Mode)		- 69.0		
Maximum input level (10% PER)	802.11b		- 3.0		dBm
	802.11g		- 9.0		

(1) Sensitivity is 1 dB worse on channel 13 (2472 MHz).

8.7.2 WLAN Transmitter Characteristics

T_A = 25°C, V_{BAT} = 2.3 V to 3.6 V. Parameters measured at module pin on channel 7 (2442 MHz).⁽¹⁾

PARAMETER	RATE	MIN	TYP	MAX	UNIT
Max RMS Output Power measured at 1 dB from IEEE spectral mask or EVM	1 DSSS		17.0		dBm
	2 DSSS		17.0		
	11 CCK		17.25		
	6 OFDM		16.25		
	9 OFDM		16.25		
	18 OFDM		16		
	36 OFDM		15		
	54 OFDM		13.5		
	MCS7 (mixed mode)		12		
Transmit center frequency accuracy		- 20		20	ppm

(1) Channel-to-channel variation is up to 2 dB. The edge channels (2412 MHz and 2462 MHz) have reduced TX power to meet FCC emission limits.

8.8 Reset Requirement

PARAMETER	MIN	TYP	MAX	UNIT
V _{IH} Operation mode level		0.65 × V _{BAT}		V
V _{IL} Shutdown mode level ⁽¹⁾	0	0.6		V
Minimum time for nReset low for resetting the module	5			ms
T _r and T _f Rise and fall times		20		µs

(1) The nRESET pin must be held below 0.6 V for the module to register a reset.

8.9 Thermal Resistance Characteristics for MOB and MON Packages

NAME	DESCRIPTION	°C/W ^{(1) (2)}	AIR FLOW (m/s) ⁽³⁾
$R_{\theta_{JC}}$	Junction-to-case	9.08	0.00
$R_{\theta_{JB}}$	Junction-to-board	10.34	0.00
$R_{\theta_{JA}}$	Junction-to-free air	11.60	0.00
Ψ_{siJT}	Junction-to-package top	9.08	0.00
Ψ_{siJB}	Junction-to-board	10.19	0.00

(1) °C/W = degrees Celsius per watt.

(2) These values are based on a JEDEC-defined 2S2P system (with the exception of the Theta JC [$R_{\theta_{JC}}$] value, which is based on a JEDEC-defined 1S0P system) and will change based on environment as well as application. For more information, see these EIA/JEDEC standards:

- JESD51-2, *Integrated Circuits Thermal Test Method Environmental Conditions - Natural Convection (Still Air)*
- JESD51-3, *Low Effective Thermal Conductivity Test Board for Leaded Surface Mount Packages*
- JESD51-7, *High Effective Thermal Conductivity Test Board for Leaded Surface Mount Packages*
- JESD51-9, *Test Boards for Area Array Surface Mount Package Thermal Measurements*

Power dissipation of 2 W and an ambient temperature of 70°C is assumed.

(3) m/s = meters per second.

8.10 Timing and Switching Characteristics

8.10.1 nRESET

图 8-6 shows the reset timing diagram for the 32K crystal first-time power-up and reset.

表 8-2 describes the timing requirements for the first-time power-up and reset removal.

表 8-2. First-Time Power-Up and Reset Removal Timing Requirements

ITEM	NAME	DESCRIPTION	MIN	TYP	MAX	UNIT
T1	Supply settling time	The time for which the nRESET pin must be held low after supply stabilizes		3		ms
T2	Hardware wake-up time	Time taken by the hardware to initialize		25		ms
T3	Firmware initiation time	Time taken by the ROM firmware to initialize the hardware (Includes 32-KHz oscillator wake-up time)		1.1		s
T4	Code download time	Time taken to download the code from the serial Flash to on-chip RAM	Image size (KB) × 0.75 ms			

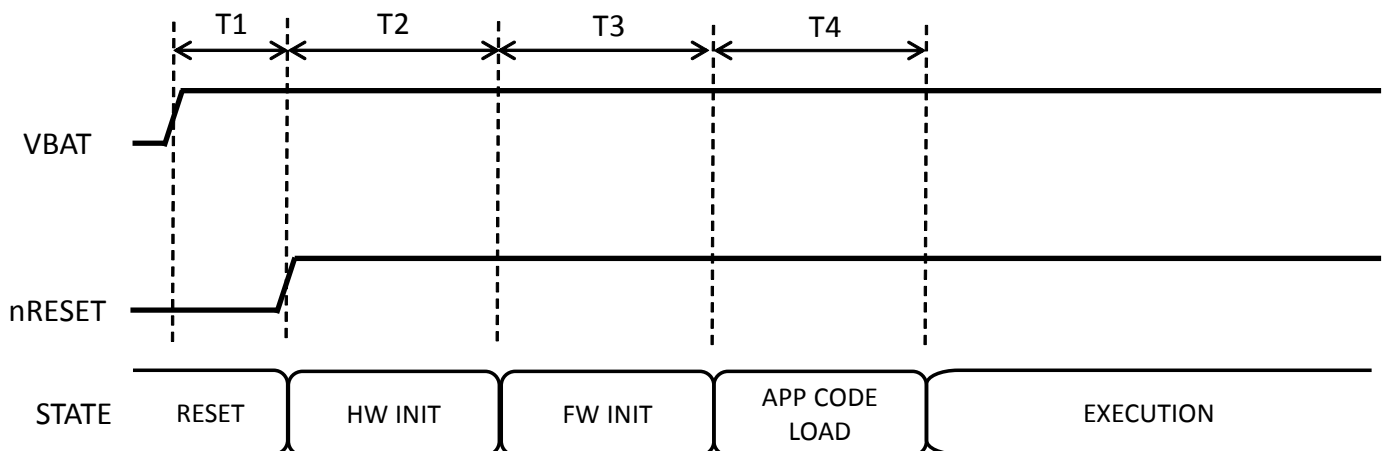


图 8-6. First-Time Power-Up and Reset Removal Timing Diagram

8.10.2 Wake Up From Hibernate Timing

表 8-3 lists the software hibernate timing requirements.

Note

The 32.768-kHz crystal is kept enabled by default when the module goes to hibernate.

表 8-3. Software Hibernate Timing Requirements

ITEM	NAME	DESCRIPTION	MIN	TYP	MAX	UNIT
T _{HIB_MIN}	Minimum hibernate time	The time for which the device must be held in hibernate mode		10		ms
T2	Hardware wake-up time	Time taken by the hardware to initialize		25		ms
T3	Firmware initiation time	Time taken by the ROM firmware to initialize the hardware		3		ms
T4	Code download time	Time taken to download the code from the serial flash to on-chip RAM	Image size (KB) × 0.75 ms			

图 8-7 shows the timing diagram for wake up from the hibernate state.

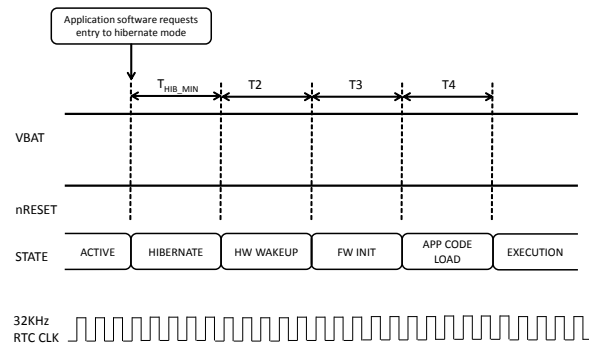


图 8-7. Wake Up From Hibernate Timing Diagram

9 Detailed Description

9.1 Overview

The CC3200MOD is a Wi-Fi[®] internet-on-a chip module that consists of an Arm[®] Cortex[®]-M4 processor with a rich set of peripherals for diverse application requirements, a Wi-Fi network processor, and power-management subsystems. The device optimizes bus matrix and memory management to provide an advantage to the application developer.

9.2 Functional Block Diagram

图 9-1 shows the functional block diagram of the CC3200MOD SimpleLink[™] Wi-Fi[®] solution.

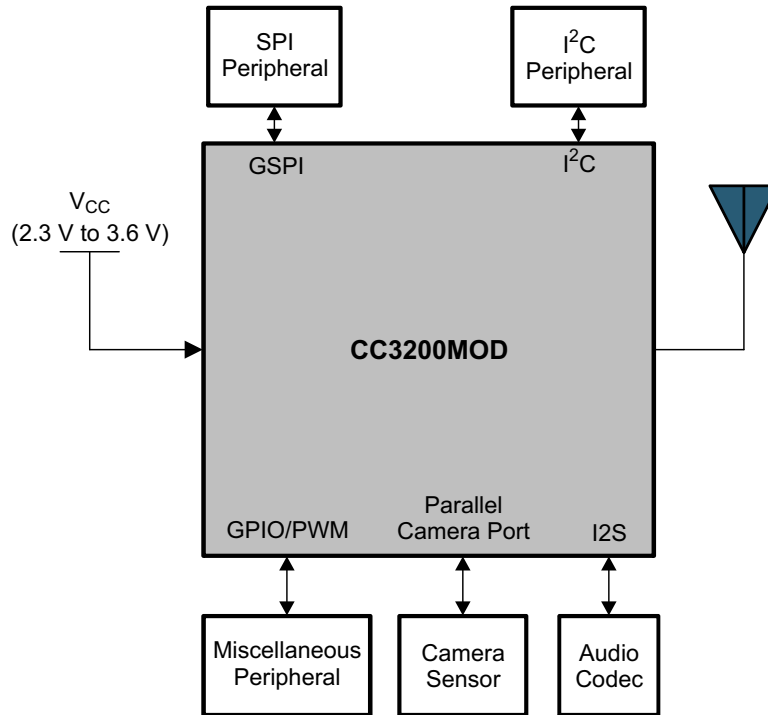


图 9-1. Functional Block Diagram

9.3 Arm[®] Cortex[®]-M4 处理器内核子系统

高性能 Arm[®] Cortex[®]-M4 处理器是一个低成本平台，可满足减少存储器和引脚数以及降低功耗的需求，同时提供出色的计算性能和系统中断响应能力。

- Cortex[®]-M4 内核的低延迟中断处理具有以下特性：
 - 32 位 Arm[®] Thumb[®] 指令集针对嵌入式应用进行了优化
 - 处理程序和线程模式
 - 在进入和退出期间处理器状态自动保存和恢复，实现低延迟中断处理
 - 支持 ARMv6 未对齐的访问
- 嵌套矢量中断控制器 (NVIC) 与处理器内核紧密集成，可实现低延迟中断处理。NVIC 包含以下特性：
 - 可配置的优先级位 (从 3 到 8)
 - 动态重设中断优先级
 - 优先级分组，支持选择优先中断级别和非优先中断级别
 - 支持尾链和中断延迟到达，执行背对背中断处理时，两次中断之间无状态保存和恢复开销
 - 中断到达时自动保存处理器状态，中断退出时恢复，无指令开销

- 唤醒中断控制器 (WIC) 提供超低功耗睡眠模式支持
- 总线接口：
 - 先进的高性能总线 (AHB-Lite) 接口：系统总线接口
 - 对存储器和部分外设的位段支持，包含原子位段写入和读取操作
- 低成本调试解决方案的特性：
 - 对系统中所有存储器和寄存器进行调试访问，包括对存储器映射器件的访问，内核暂停时对内部内核寄存器的访问和在 SYSRESETn 置位时对调试控制寄存器的访问
 - 串行线调试端口 (SW-DP) 或串行线 JTAG 调试端口 (SWJ-DP) 调试访问
 - 闪存补丁和断点 (FPB) 单元，可实施断点和代码补丁

9.4 CC3200 Device Encryption

图 9-2 shows a standard MCU for the CC3200 device. Application image and user data files are not encrypted. Network certificates are encrypted using a device-specific key.

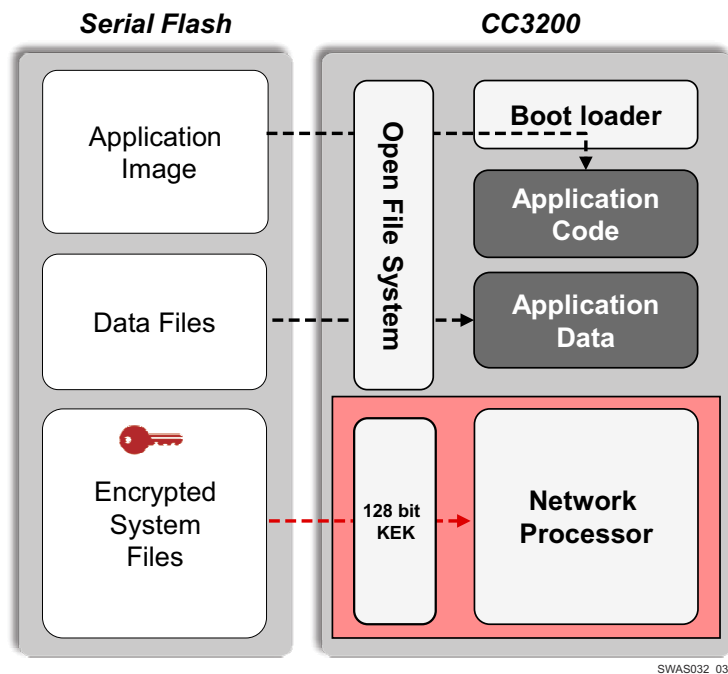


图 9-2. CC3200 Standard MCU

9.5 Wi-Fi® Network Processor Subsystem

The Wi-Fi network processor subsystem includes a dedicated Arm® MCU to completely offload the host MCU along with an 802.11 b/g/n radio, baseband, and MAC with a powerful crypto engine for a fast, secure WLAN and Internet connections with 256-bit encryption. The CC3200 device supports station, AP, and Wi-Fi Direct modes. The device also supports WPA2 personal and enterprise security in addition to WPS 2.0. The Wi-Fi network processor includes an embedded IPv4 TCP/IP stack.

表 9-1 summarizes the NWP features.

表 9-1. Summary of Features Supported by the NWP Subsystem

ITEM	DOMAIN	CATEGORY	FEATURE	DETAILS
1	TCP/IP	Network Stack	IPv4	Baseline IPv4 stack
2	TCP/IP	Network Stack	TCP/UDP	Base protocols
3	TCP/IP	Protocols	DHCP	Client and server mode
4	TCP/IP	Protocols	ARP	Support ARP protocol
5	TCP/IP	Protocols	DNS/mDNS	DNS Address resolution and local server
6	TCP/IP	Protocols	IGMP	Up to IGMPv3 for multicast management
7	TCP/IP	Applications	mDNS	Support multicast DNS for service publishing over IP
8	TCP/IP	Applications	mDNS-SD	Service discovery protocol over IP in local network
9	TCP/IP	Applications	Web Server/HTTP Server	URL static and dynamic response with template
10	TCP/IP	Security	TLS/SSL	TLS v1.2 (client/server) / SSL v3.0
11	TCP/IP	Security	TLS/SSL	For the supported Cipher Suite, go to SimpleLink Wi-Fi CC3200 SDK .
12	TCP/IP	Sockets	RAW Sockets	User-defined encapsulation at WLAN MAC/PHY or IP layers
13	WLAN	Connection	Policies	Allows management of connection and reconnection policy
14	WLAN	MAC	Promiscuous mode	Filter-based Promiscuous mode frame receiver
15	WLAN	Performance	Initialization time	From enable to first connection to open AP less than 50 ms
16	WLAN	Performance	Throughput	UDP = 16 Mbps
17	WLAN	Performance	Throughput	TCP = 13 Mbps
18	WLAN	Provisioning	WPS2	Enrollee using push button or PIN method.
19	WLAN	Provisioning	AP Config	AP mode for initial product configuration (with configurable Web page and beacon Info element)
20	WLAN	Provisioning	SmartConfig	Alternate method for initial product configuration
21	WLAN	Role	Station	802.11 b/g/n Station with legacy 802.11 power save
22	WLAN	Role	Soft AP	802.11 b/g single station with legacy 802.11 power save
23	WLAN	Role	P2P	P2P operation as GO
24	WLAN	Role	P2P	P2P operation as CLIENT
25	WLAN	Security	STA-Personal	WPA2 personal security
26	WLAN	Security	STA-Enterprise	WPA2 enterprise security
27	WLAN	Security	STA-Enterprise	EAP-TLS
28	WLAN	Security	STA-Enterprise	EAP-PEAPv0/TLS
29	WLAN	Security	STA-Enterprise	EAP-PEAPv1/TLS
30	WLAN	Security	STA-Enterprise	EAP-PEAPv0/MSCHAPv2
31	WLAN	Security	STA-Enterprise	EAP-PEAPv1/MSCHAPv2
32	WLAN	Security	STA-Enterprise	EAP-TTLS/EAP-TLS
33	WLAN	Security	STA-Enterprise	EAP-TTLS/MSCHAPv2

表 9-1. Summary of Features Supported by the NWP Subsystem (continued)

ITEM	DOMAIN	CATEGORY	FEATURE	DETAILS
34	WLAN	Security	AP-Personal	WPA2 personal security

9.6 Power-Management Subsystem

The CC3220MODx and CC3220MODAx power-management subsystems contain DC/DC converters to accommodate the differing voltage or current requirements of the system.

The CC3220MODx is a fully integrated module-based WLAN radio solution used on an embedded system with a wide-voltage supply range. The internal power management, including DC/DC converters and LDOs, generates all of the voltages required for the module to operate from a wide variety of input sources. For maximum flexibility, the module can operate in the modes described in the following sections.

The CC3200 power-management subsystem contains DC/DC converters to accommodate the differing voltage or current requirements of the system. The module can operate from an input voltage ranging from 2.3 V to 3.6 V and can be directly connected to 2× AA Alkaline batteries.

The CC3200MOD is a fully integrated module-based WLAN radio solution used on an embedded system with a wide-voltage supply range. The internal power management, including DC/DC converters and LDOs, generates all of the voltages required for the module to operate from a wide variety of input sources. For maximum flexibility, the module can operate in the modes described in the following sections.

9.6.1 VBAT Wide-Voltage Connection

In the wide-voltage battery connection, the module can be directly connected to two AA alkaline batteries. All other voltages required to operate the module are generated internally by the DC/DC converters. This scheme is the most common mode for the module because it supports wide-voltage operation from 2.3 to 3.6 V.

In the wide-voltage battery connection, the module is powered directly by the battery or preregulated 3.3-V supply. All other voltages required to operate the device are generated internally by the DC/DC converters. This scheme is the most common mode for the device because it supports wide-voltage operation from 2.3 to 3.6 V.

9.7 Low-Power Operating Mode

From a power-management perspective, the CC3220MODx and CC3220MODAx module comprise the following two independent subsystems:

- Arm® Cortex®-M4 application processor subsystem
- Networking subsystem

Each subsystem operates in one of several power states.

The Arm® Cortex®-M4 application processor runs the user application loaded from an external serial Flash, or internal Flash (in CC3220MODSF). The networking subsystem runs preprogrammed TCP/IP and Wi-Fi data link layer functions.

The user program controls the power state of the application processor subsystem and can be in one of the five modes described in [表 9-2](#).

表 9-2. User Program Modes

APPLICATION PROCESSOR (MCU) MODE ⁽¹⁾	DESCRIPTION
MCU active mode	MCU executing code at 80-MHz state rate
MCU sleep mode	The MCU clocks are gated off in sleep mode and the entire state of the device is retained. Sleep mode offers instant wakeup. The MCU can be configured to wake up by an internal fast timer or by activity from any GPIO line or peripheral.
MCU LPDS mode	State information is lost and only certain MCU-specific register configurations are retained. The MCU can wake up from external events or by using an internal timer. (The wake-up time is less than 3 ms.) Certain parts of memory can be retained while the MCU is in LPDS mode. The amount of memory retained is configurable. Users can choose to preserve code and the MCU-specific setting. The MCU can be configured to wake up using the RTC timer or by an external event on specific GPIOs as the wake-up source.
MCU hibernate mode	The lowest power mode in which all digital logic is power-gated. Only a small section of the logic directly powered by the input supply is retained. The RTC keeps running and the MCU supports wakeup from an external event or from an RTC timer expiry. Wake-up time is longer than LPDS mode at about 15 ms plus the time to load the application from serial Flash, which varies according to code size. In this mode, the MCU can be configured to wake up using the RTC timer or external event on a GPIO (GPIO0 to GPIO6).
MCU shutdown mode	The lowest power mode system-wise. All device logics are off, including the RTC. The wake-up time in this mode is longer than hibernate at about 1.1 s. To enter or exit the shutdown mode, the state of the nRESET line is changed (low to shut down, high to turn on).

(1) Modes are listed in order of power consumption, with highest power modes listed first.

The NWP can be active or in LPDS mode and takes care of its own mode transitions. When there is no network activity, the NWP sleeps most of the time and wakes up only for beacon reception (see [表 9-3](#)).

表 9-3. Networking Subsystem Modes

NETWORK PROCESSOR MODE	DESCRIPTION
Network active mode (processing layer 3, 2, and 1)	Transmitting or receiving IP protocol packets
Network active mode (processing layer 2 and 1)	Transmitting or receiving MAC management frames; IP processing not required.
Network active listen mode	Special power optimized active mode for receiving beacon frames (no other frames supported)
Network connected Idle	A composite mode that implements 802.11 infrastructure power save operation. The CC3220MODx and CC3220MODAx NWPs automatically goes into LPDS mode between beacons and then wakes to active listen mode to receive a beacon and determine if there is pending traffic at the AP. If not, the NWP returns to LPDS mode and the cycle repeats.
Network LPDS mode	Low-power state between beacons in which the state is retained by the NWP, allowing for a rapid wake up.
Network disabled	The network is disabled

The operation of the application and network processor ensures that the module remains in the lowest power mode most of the time to preserve battery life.

The following examples show the use of the power modes in applications:

- A product that is continuously connected to the network in the 802.11 infrastructure power-save mode but sends and receives little data spends most of the time in connected idle, which is a composite of receiving a beacon frame and waiting for the next beacon.

- A product that is not continuously connected to the network but instead wakes up periodically (for example, every 10 minutes) to send data, spends most of the time in hibernate mode, jumping briefly to active mode to transmit data.

9.8 Memory

9.8.1 External Memory Requirements

The CC3200 device maintains a proprietary file system on the SFLASH. The CC3200 file system stores the service pack file, system files, configuration files, certificate files, web page files, and user files. By using a format command through the API, users can provide the total size allocated for the file system. The starting address of the file system cannot be set and is always located at the beginning of the SFLASH. The applications microcontroller must access the SFLASH memory area allocated to the file system directly through the CC3200 file system. The applications microcontroller must not access the SFLASH memory area directly.

The file system manages the allocation of SFLASH blocks for stored files according to download order, which means that the location of a specific file is not fixed in all systems. Files are stored on SFLASH using human-readable file names rather than file IDs. The file system API works using plain text, and file encryption and decryption is invisible to the user. Encrypted files can be accessed only through the file system (see [Figure 9-2](#)).

All file types can have a maximum of 128 supported files in the file system. All files are stored in blocks of 4KB and thus use a minimum of 4KB of flash space. Encrypted files with fail-safe support and optional security are twice the original size and use a minimum of 8KB. Encrypted files are counted as fail safe in terms of space. The maximum file size is 16MB.

表 9-4. CC3200 SFLASH Size Recommendations

ITEM	TYPICAL FAIL-SAFE	TYPICAL NONFAIL-SAFE
File system	20KB	20KB
Service pack	224KB	112KB
System and configuration files	216KB	108KB
MCU code	512KB	256KB
Total	4Mb	2Mb
Recommended	16Mb	8Mb

The CC3200 device supports JEDEC specification SFDP (serial flash device parameters). The following SFLASH devices are verified for functionality with the CC3200 device in addition to the ones in the reference design:

- Micron (N25Q128-A13BSE40): 128 Mb
- Spansion (S25FL208K): 8 Mb
- Winbond (W25Q16V): 16 Mb
- Adesto (AT25DF081A): 8 Mb
- Macronix (MX25L12835F-M2): 128 Mb

For compatibility with the CC3200 device, the SFLASH device must support the following commands:

- Command 0x9F (read the device ID [JEDEC]). Procedure: SEND 0x9F, READ 3 bytes.
- Command 0x05 (read the status of the SFLASH). Procedure: SEND 0x05, READ 1 byte. Assume bit 0 is busy and bit 1 is write enable.
- Command 0x06 (set write enable). Procedure: SEND 0x06, read status until write-enable bit is set.
- Command 0xC7 (chip erase). Procedure: SEND 0xC7, read status until busy bit is cleared.
- Command 0x03 (read data). Procedure: SEND 0x03, SEND 24-bit address, read n bytes.
- Command 0x02 (write page). Procedure: SEND 0x02, SEND 24-bit address, write n bytes ($0 < n < 256$).
- Command 0x20 (sector erase). Procedure: SEND 0x20, SEND 24-bit address, read status until busy bit is cleared. Sector size is always assumed to be 4K.

9.8.2 Internal Memory

The CC3200 device includes on-chip SRAM to which application programs are downloaded and executed. The application developer must share the SRAM for code and data. To select the appropriate SRAM configuration,

see the device variants listed in the orderable addendum at the end of this datasheet. The micro direct memory access (μ DMA) controller can transfer data to and from SRAM and various peripherals. The CC3200 ROM holds the rich set of peripheral drivers, which saves SRAM space. For more information on drivers, see the CC3200 API list in [# 12.3](#).

9.8.2.1 SRAM

The CC3200 family provides up to 256KB of zero-wait-state, on-chip SRAM. Internal RAM is capable of selective retention during LPDS mode. This internal SRAM is located at offset 0x2000 0000 of the device memory map.

Use the μ DMA controller to transfer data to and from the SRAM.

When the device enters low-power mode, the application developer can choose to retain a section of memory based on need. Retaining the memory during low-power mode provides a faster wakeup. The application developer can choose the amount of memory to retain in multiples of 64KB. For more information, see the API guide in [# 12.3](#).

9.8.2.2 ROM

The internal zero-wait-state ROM of the CC3200 module is at address 0x0000 0000 of the device memory and is programmed with the following components:

- Bootloader
- Peripheral driver library (DriverLib) release for product-specific peripherals and interfaces

The bootloader is used as an initial program loader (when the serial Flash memory is empty). The DriverLib software library of the CC3200 controls on-chip peripherals with a bootloader capability. The library performs peripheral initialization and control functions, with a choice of polled or interrupt-driven peripheral support. The DriverLib APIs in ROM can be called by applications to reduce Flash memory requirements and free the Flash memory to be used for other purposes.

9.8.2.3 Memory Map

[表 9-5](#) describes the various MCU peripherals and how they are mapped to the processor memory. For more information on peripherals, see the API document in [# 12.3](#).

表 9-5. Memory Map

START ADDRESS	END ADDRESS	DESCRIPTION	COMMENT
0x0000 0000	0x0007 FFFF	On-chip ROM (Bootloader + DriverLib)	
0x2000 0000	0x2003 FFFF	Bit-banded on-chip SRAM	
0x2200 0000	0x23FF FFFF	Bit-band alias of 0x2000 0000 through 0x200F FFFF	
0x4000 0000	0x4000 0FFF	Watchdog timer A0	
0x4000 4000	0x4000 4FFF	GPIO port A0	
0x4000 5000	0x4000 5FFF	GPIO port A1	
0x4000 6000	0x4000 6FFF	GPIO port A2	
0x4000 7000	0x4000 7FFF	GPIO port A3	
0x4000 C000	0x4000 CFFF	UART A0	
0x4000 D000	0x4000 DFFF	UART A1	
0x4002 0000	0x4002 07FF	I ² C A0 (Master)	
0x4002 0800	0x4002 0FFF	I ² C A0 (Slave)	
0x4003 0000	0x4003 0FFF	General-purpose timer A0	
0x4003 1000	0x4003 1FFF	General-purpose timer A1	
0x4003 2000	0x4003 2FFF	General-purpose timer A2	
0x4003 3000	0x4003 3FFF	General-purpose timer A3	
0x400F 7000	0x400F 7FFF	Configuration registers	
0x400F E000	0x400F EFFF	System control	

表 9-5. Memory Map (continued)

START ADDRESS	END ADDRESS	DESCRIPTION	COMMENT
0x400F F000	0x400F FFFF	μDMA	
0x4200 0000	0x43FF FFFF	Bit band alias of 0x4000.0000 through 0x400F.FFFF	
0x4401 C000	0x4401 EFFF	McASP	
0x4402 0000	0x4402 0FFF	SSPI	Used for external serial flash
0x4402 1000	0x4402 2FFF	GSPI	Used by application processor
0x4402 5000	0x4402 5FFF	MCU reset clock manager	
0x4402 6000	0x4402 6FFF	MCU configuration space	
0x4402 D000	0x4402 DFFF	Global power, reset, and clock manager (GPRCM)	
0x4402 E000	0x4402 EFFF	MCU shared configuration	
0x4402 F000	0x4402 FFFF	Hibernate configuration	
0x4403 0000	0x4403 FFFF	Crypto range (includes apertures for all crypto-related blocks as follows) ⁽¹⁾	
0x4403 0000	0x4403 0FFF	DTHE registers and TCP checksum ⁽¹⁾	
0x4403 5000	0x4403 5FFF	MD5/SHA ⁽¹⁾	
0x4403 7000	0x4403 7FFF	AES ⁽¹⁾	
0x4403 9000	0x4403 9FFF	DES ⁽¹⁾	
0xE000 0000	0xE000 0FFF	Instrumentation trace Macrocell™	
0xE000 1000	0xE000 1FFF	Data watchpoint and trace (DWT)	
0xE000 2000	0xE000 2FFF	Flash patch and breakpoint (FPB)	
0xE000 E000	0xE000 EFFF	Nested vectored interrupt controller (NVIC)	
0xE004 0000	0xE004 0FFF	Trace port interface unit (TPIU)	
0xE004 1000	0xE004 1FFF	Reserved for embedded trace macrocell (ETM)	
0xE004 2000	0xE00F FFFF	Reserved	

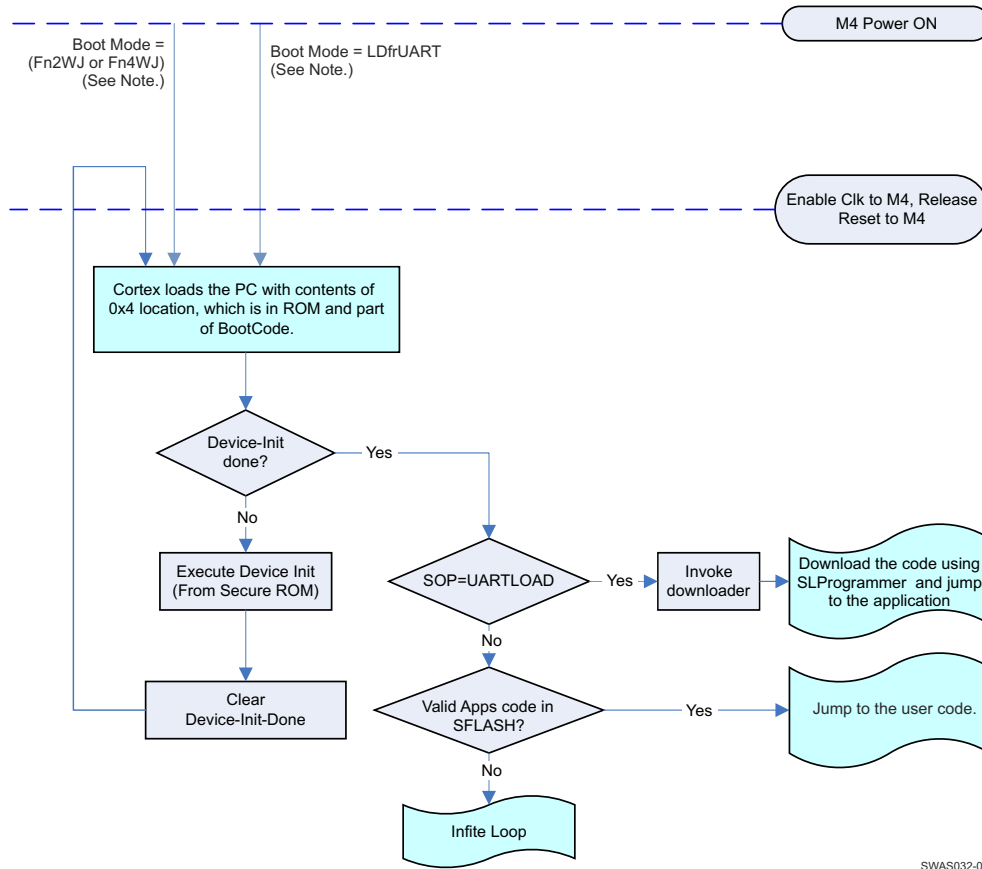
(1) Available with CC3200R1-S2RTD[T/R] part number

9.9 Boot Modes

9.9.1 Overview

The boot process of the application processor includes two phases. The first phase consists of unrestricted access to all register space and configuration of the specific device setting. In the second phase, the application processor executes user-specific code.

图 9-3 shows the bootloader flow chart.



Note: For definitions of the SoP mode functional configurations, see 表 9-6.

图 9-3. Bootloader Flow Chart

9.9.2 Invocation Sequence and Boot Mode Selection

The following sequence of events occurs during the Cortex® processor boot:

1. After power-on-reset (POR), the processor starts execution.
2. The processor jumps to the first few lines (FFL) of code in the ROM to determine if the current boot is the first device-init boot or the second MCU boot. The determination is based on the Device-Init flag in a secure register. The Device-Init flag is set while out of POR. The registers in the secure region are accessible only in the device-init mode.
3. If the current boot is the first boot, the processor executes the device-init code from ROM.
4. At the end of the boot, the processor clears the Device-Init flag and changes the master ID of the processor and the DMA. These registers are part of the secure region.
5. The processor resets itself, initiating a second boot.
6. During the second boot, the processor rereads the Device-Init flag, the bit is cleared, and the processor obtains a different master ID.
7. After executing FFL and the unsecure boot code, the processor jumps to the developer code (application).
8. For the rest of the operation (until the next power cycle), the Cortex® mode is designated the MCU. During this phase, access to the secure region is restricted.

9.9.3 Boot Mode List

The CC3200 device implements a sense-on-power (SoP) scheme to determine the device operation mode. The device can be configured to power up in one of the three following modes:

- Fn4WJ: Functional mode with a 4-wire JTAG mapped to fixed pins
- Fn2WJ: Functional mode with a 2-wire SWD mapped to fixed pins
- LDfrUART: UART load mode to Flash the system during development and in OEM assembly line (for example, serial Flash connected to the CC3200R device)

SoP values are sensed from the device pin during power up. This encoding determines the boot flow. Before the device is taken out of reset, the SoP values are copied to a register and then determine the device operation mode while powering up. These values determine the boot flow as well as the default mapping for some of the pins (JTAG, SWD, UART0) 表 9-6 provides the pull configurations.

表 9-6. CC32x0 Functional Configurations

NAME	SOP2	SOP1	SOP0	SOP MODE	COMMENT
UARTLOAD	Pullup	Pulldown	Pulldown	LDfrUART	Factory/Lab Flash/SRAM load through UART. Device waits indefinitely for UART to load code. The SOP bits then must be toggled to configure the device in functional mode. Also puts JTAG in 4-wire mode.
FUNCTIONAL_2WJ	Pulldown	Pulldown	Pullup	Fn2WJ	Functional development mode. In this mode, 2-pin SWD is available to the developer. TMS and TCK are available for debugger connection.
FUNCTIONAL_4WJ	Pulldown	Pulldown	Pulldown	Fn4WJ	Functional development mode. In this mode, 4-pin JTAG is available to the developer. TDI, TMS, TCK, and TDO are available for debugger connection.

There is an internal pull resistor for SOP0 and SOP1 with value of 100 kΩ. There is no need for any external pulls. TI recommends a 2.7-kΩ pull resistor for SOP2. SOP2 can be used by the application for other functions after chip power-up is complete. However, to avoid spurious SOP values from being sensed at power-up, TI strongly recommends that the SOP2 pin be used only for output signals. On the other hand, the SOP0 and SOP1 pins are multiplexed with WLAN analog test pins and are not available for other functions.

10 Applications, Implementation, and Layout

Note

Information in the following applications sections is not part of the TI component specification, and TI does not warrant its accuracy or completeness. TI's customers are responsible for determining suitability of components for their purposes. Customers should validate and test their design implementation to confirm system functionality.

10.1 Device Connection and Layout Fundamentals

10.1.1 Power Supply Decoupling and Bulk Capacitors

Depending upon routing resistors and battery type, TI recommends adding two 100- μ F ceramic capacitors to help provide the peak current drawn by the CC3200 module.

10.1.2 Reset

The module features an internal RC circuit to reset the module during power ON. An external circuit is not required unless an external MCU controls the CC3200 module. The nRESET pin must be held below 0.6 V for at least 5 ms for the module to successfully reset.

10.1.3 Unused Pins

All unused pins can be left unconnected without any concern to leakage current.

10.1.4 General Layout Recommendations

1. Have a solid ground plane and ground vias under the module for stable system and thermal dissipation.
2. Do **not** run signal traces underneath the module on a layer where the module is mounted.
3. RF traces must have 50- Ω impedance.
4. RF trace bends must be made with gradual curves, and 90 degree bends must be avoided.
5. RF traces must **not** have sharp corners.
6. There must be no traces or ground under the antenna section.
7. RF traces must have via stitching on the ground plane beside the RF trace on both sides.
8. RF traces must be as short as possible. The antenna, RF traces, and the module must be on the edge of the PCB product in consideration of the product enclosure material and proximity.

10.1.5 Do's and Don'ts

Note

If an external device drives a positive voltage to the signal pads and the CC3200MOD is not powered, DC current is drawn from the other device. If the drive strength of the external device is adequate, an unintentional wakeup and boot of the CC3200MOD can occur. To prevent current draw, TI recommends any one of the following:

- All devices interfaced to the CC3200MOD must be powered from the same power rail as the chip.
 - Use level-shifters between the module and any external devices fed from other independent rails.
 - The nRESET pin of the CC3200MOD must be held low until the VBAT supply to the module is driven and stable. This is automatically done within the module if this pin is left unconnected.
-

10.2 Reference Schematics

图 10-1 shows the reference schematic for the CC3200MOD module.

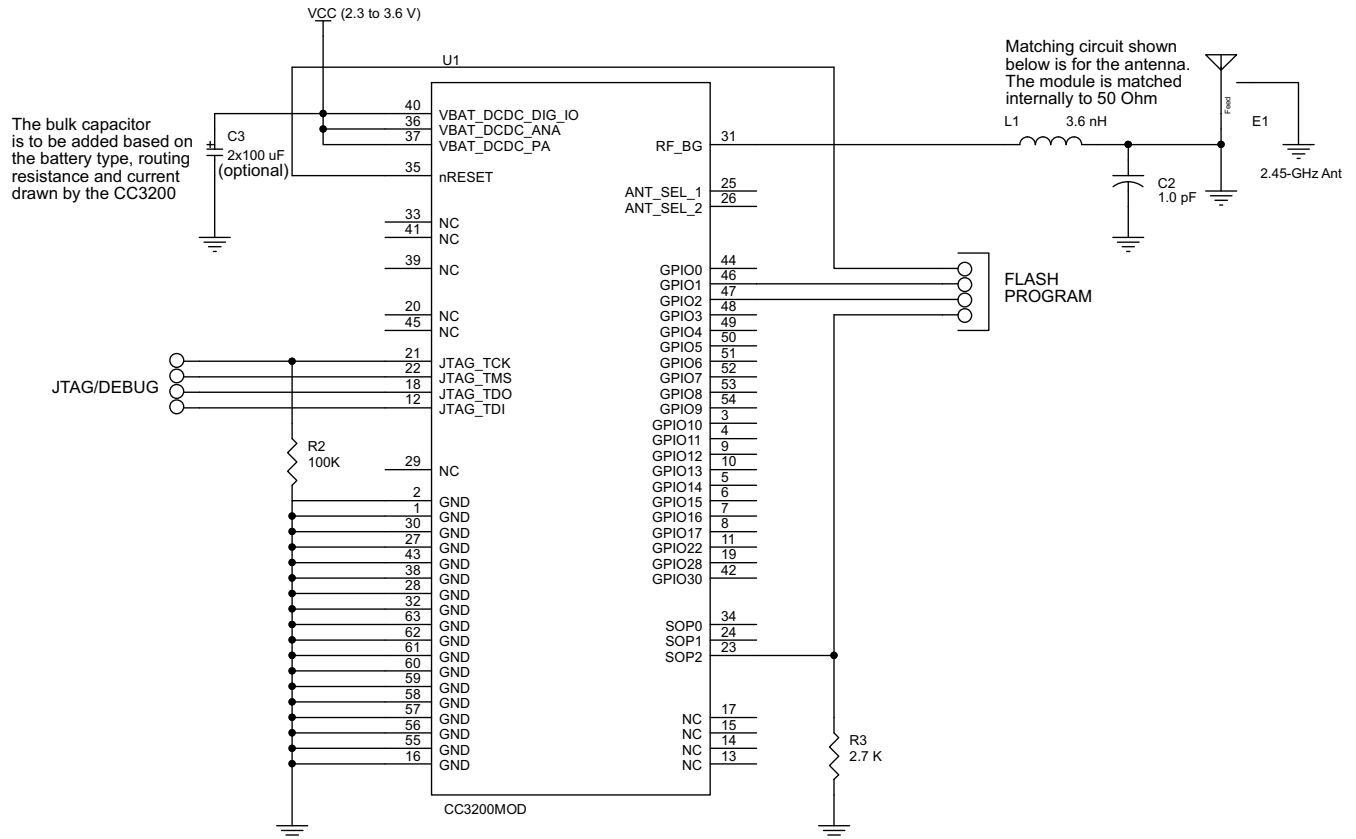


图 10-1. CC3200MOD Module Reference Schematic

10.3 Design Requirements

表 10-1 provides the bill of materials.

表 10-1. Bill of Materials ⁽¹⁾

QTY	PART REFERENCE	VALUE	MANUFACTURER	PART NUMBER	DESCRIPTION
1	U1	CC3200MOD	Texas Instruments	CC3200MODR1M2AMOB	SimpleLink™ Wi-Fi® and Internet-of-Things Module Solution, a Single-Chip Wireless MCU, MOB0063A (SIP MODULE-63)
1	E1	2.45-GHz Ant	Taiyo Yuden	AH316M245001-T	Antenna Bluetooth WLAN ZigBee® WIMAX
1	C2	1.0 pF	Murata Electronics North America	GJM1555C1H1R0BB01D	CAP CER 1 pF 50 V NP0 0402
1	L1	3.6 nH	Murata Electronics North America	LQP15MN3N6B02D	INDUCTOR 3.6 NH 0.1 NH 0402

(1) Resistors are not shown here. Any resistor of 5% tolerance can be used.

10.4 Detailed Design Procedure

The design procedure considerations follow:

- The bulk capacitor is to be added based on the battery type, routing resistance and current drawn by the CC3200
- For more details on brownout consideration, see 节 8.6. The module enters a brownout condition whenever the input voltage dips below $V_{BROWNOUT}$ (see 图 8-4 and 图 8-5). This condition must be considered during design of the power supply routing, specifically if operating from a battery.

10.5 Layout Recommendations

10.5.1 RF Section (Placement and Routing)

图 10-2 shows the RF sectional layout.

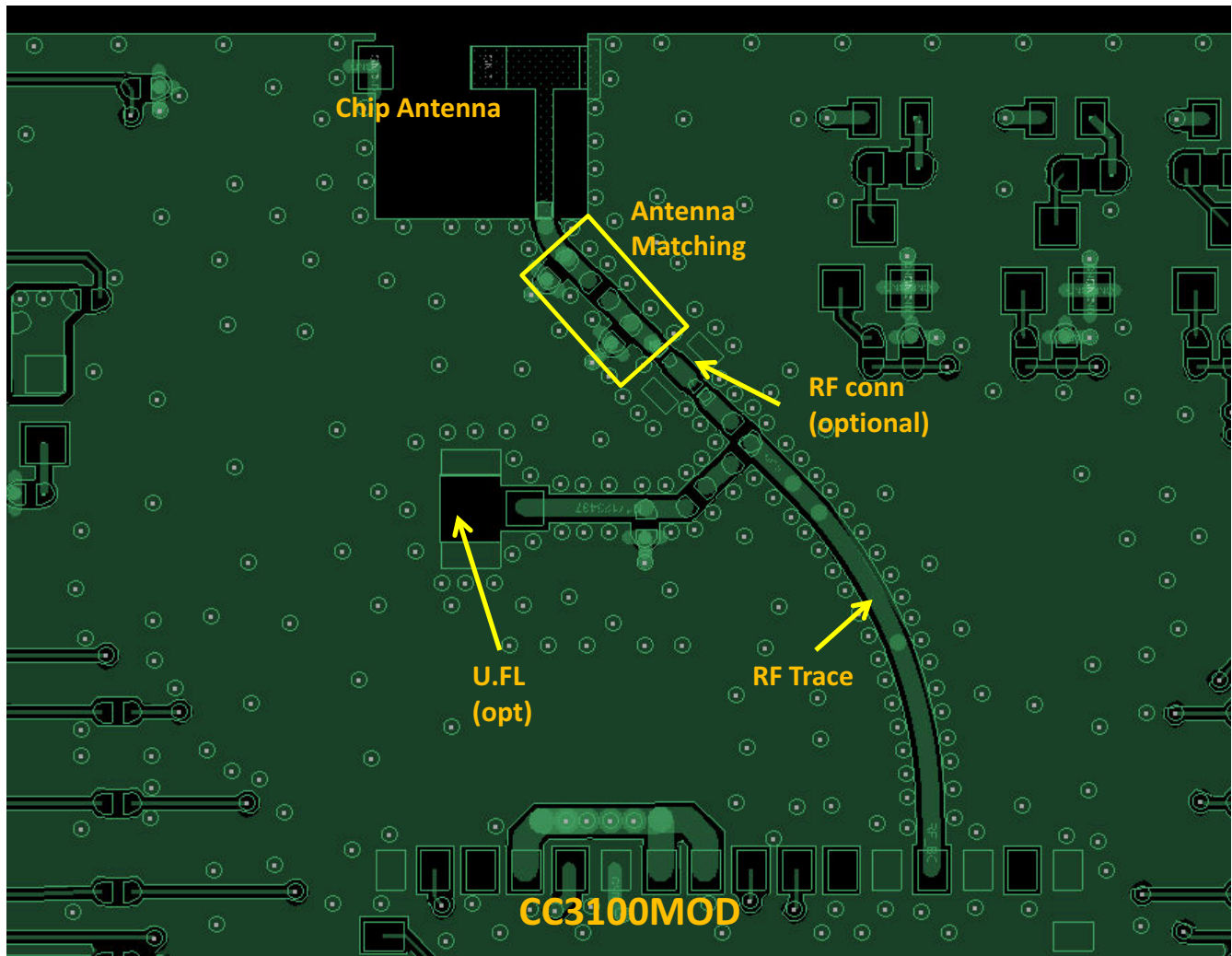


图 10-2. RF Section Layout

The RF section of this wireless device gets top priority in terms of layout. The RF section must be laid out correctly to ensure optimum performance from the device. A poor layout can cause low-output power, EVM degradation, sensitivity degradation, and mask violations.

10.5.2 Antenna Placement and Routing

The antenna is the element used to convert the guided waves on the PCB traces to the free space electromagnetic radiation. The placement and layout of the antenna are the keys to increased range and data rates.

The points listed in [表 10-2](#) must be observed for the antenna.

表 10-2. Antenna Guidelines

SR NO.	GUIDELINES
1	Place the antenna on an edge or corner of the PCB.
2	Ensure that no signals are routed across the antenna elements on all the layers of the PCB.
3	Most antennas, including the chip antenna used on the booster pack, require ground clearance on all the layers of the PCB. Ensure that the ground is cleared on inner layers as well.
4	Ensure that there is provision to place matching components for the antenna. These must be tuned for best return loss when the complete board is assembled. Any plastics or casing must also be mounted while tuning the antenna because this can impact the impedance.
5	Ensure that the antenna impedance is 50 Ω because the device is rated to work only with a 50- Ω system.
6	In case of printed antenna, ensure that the simulation is performed with the solder mask in consideration.
7	Ensure that the antenna has a near omnidirectional pattern.
8	The feed point of the antenna is required to be grounded. This is only for the antenna type used on the CC3200MOD Launchpad. See the specific antenna data sheets for the recommendations.
9	To use the FCC certification of the module, refer to CC31xx & CC32xx Radio Certifications wiki page on CC3200 Radio certification

表 10-3. Recommended Components

CHOICE	PART NUMBER	MANUFACTURER	NOTES
1	AH316M245001-T	Taiyo Yuden	Can be placed on edge of the PCB and uses much less PCB space

10.5.3 Transmission Line

The RF signal from the device is routed to the antenna using a Coplanar Waveguide with ground (CPW-G) structure. The CPW-G structure offers the maximum isolation across filter gap and the best possible shielding to the RF lines. In addition to the ground on the L1 layer, placing GND vias along the line also provides additional shielding.

图 10-3 shows the coplanar waveguide.

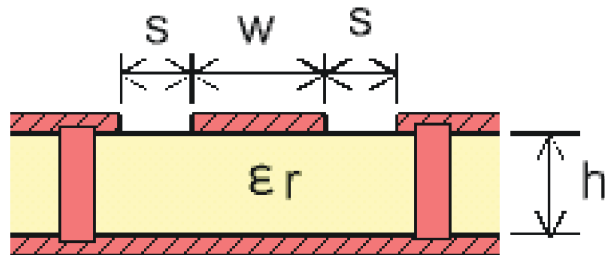


图 10-3. Coplanar Waveguide (Cross Section) With GND and Via Stitching

图 10-4 shows the top view of the CPW with GND.

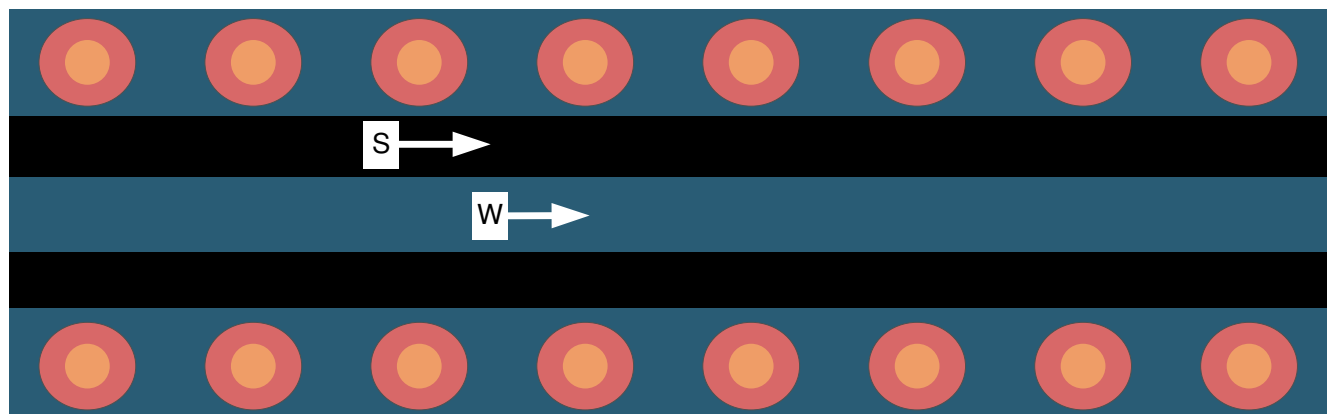


图 10-4. CPW With GND (Top View)

表 10-4 和 表 10-5 提供 2 层板和 4 层板的推荐值，分别。

表 10-4. Recommended PCB Values for 2-Layer Boards (L1 to L2 = 40 mils) ⁽¹⁾

PARAMETER	VALUE	UNIT
W	35	mils
S	6	mils
H	40	mils
Er (FR-4 substrate)	3.9	

- (1) The CC3200MOD Launchpad uses a 4 layer stack-up to route other components on the board. Customer can choose a two-layer stack-up based on the values shown here.

表 10-5. Recommended PCB Values for 4-Layer Boards (L1 to L2 = 10 mils)

PARAMETER	VALUE	UNITS
W	20	mils
S	18	mils
H	10	mils
Er (FR-4 substrate)	4	

11 Environmental Requirements and Specifications

11.1 PCB Bending

The PCB bending specification will maintain planeness at a thickness of less than 0.1 mm.

11.2 Handling Environment

11.2.1 Terminals

The product is mounted with motherboard through land-grid array (LGA). To prevent poor soldering, do not make skin contact with the LGA portion.

11.2.2 Falling

The mounted components will be damaged if the product falls or is dropped. Such damage may cause the product to malfunction.

11.3 Storage Condition

11.3.1 Moisture Barrier Bag Before Opened

A moisture barrier bag must be stored in a temperature of less than 30°C with humidity under 85% RH. The calculated shelf life for the dry-packed product will be 12 months from the date the bag is sealed.

11.3.2 Moisture Barrier Bag Open

Humidity indicator cards must be blue, < 30%.

11.4 Baking Conditions

Products require baking before mounting if:

- Humidity indicator cards read > 30%
- Temp < 30°C, humidity < 70% RH, over 96 hours

Baking condition: 90°C, 12 to 24 hours

Baking times: 1 time

11.5 Soldering and Reflow Condition

- Heating method: Conventional convection or IR convection
- Temperature measurement: Thermocouple $d = 0.1\text{ mm}$ to 0.2 mm CA (K) or CC (T) at soldering portion or equivalent method
- Solder paste composition: Sn/3.0 Ag/0.5 Cu
- Allowable reflow soldering times: 2 times based on the reflow soldering profile (see [图 11-1](#))
- Temperature profile: Reflow soldering will be done according to the temperature profile (see [图 11-1](#))
- Peak temperature: 245°C

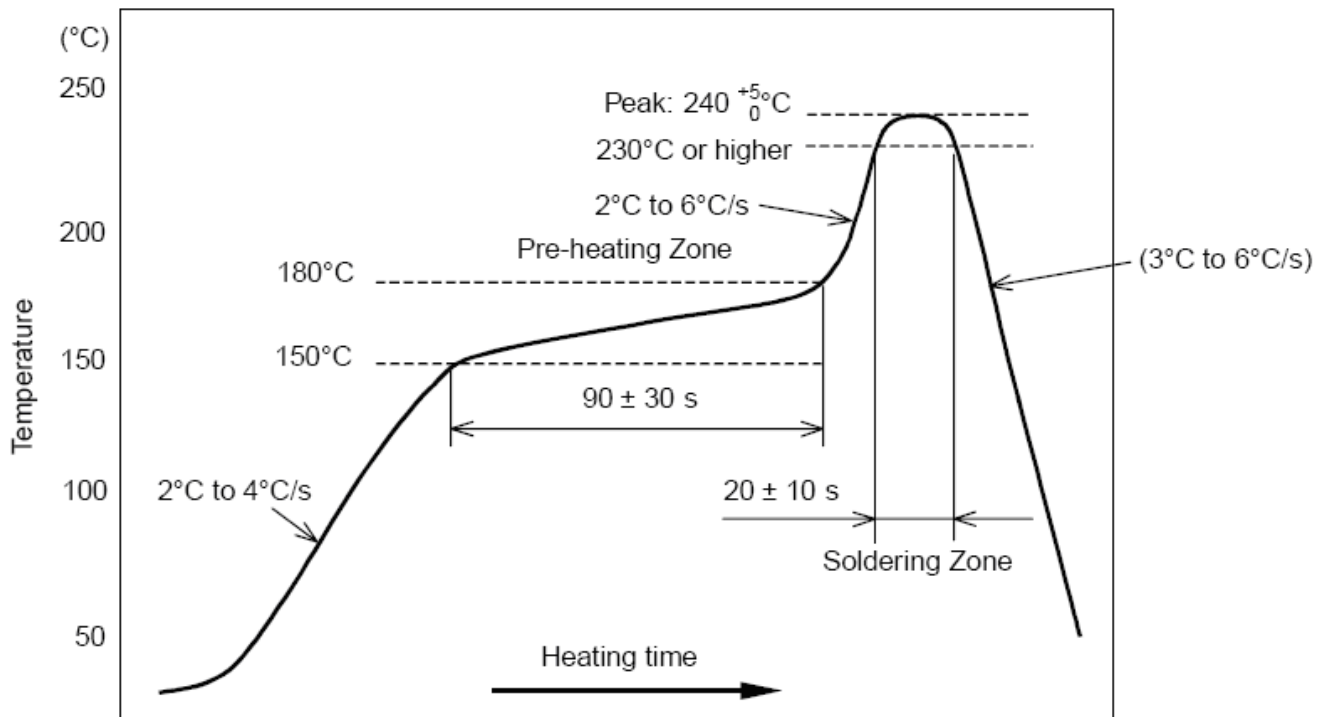


图 11-1. Temperature Profile for Evaluation of Solder Heat Resistance of a Component (at Solder Joint)

Note

TI does not recommend the use of conformal coating or similar material on the SimpleLink™ module. This coating can lead to localized stress on the solder connections inside the module and impact the module reliability. Use caution during the module assembly process to the final PCB to avoid the presence of foreign material inside the module.

12 Device and Documentation Support

12.1 Device Support

12.1.1 Development Support

TI offers an extensive line of development tools, including tools to evaluate the performance of the processors, generate code, develop algorithm implementations, and fully integrate and debug software and hardware modules. The tool's support documentation is electronically available within the Code Composer Studio™ Integrated Development Environment (IDE).

The following products support development of the CC3200MOD applications:

Software Development Tools: Code Composer Studio Integrated Development Environment (IDE): including Editor C/C++/Assembly Code Generation, and Debug plus additional development tools Scalable, Real-Time Foundation Software (DSP/BIOS™), which provides the basic run-time target software needed to support any CC3200MOD application.

Hardware Development Tools: Extended Development System (XDS™) Emulator

For a complete listing of development-support tools for the CC3200MOD platform, visit the Texas Instruments website at www.ti.com. For information on pricing and availability, contact the nearest TI field sales office or authorized distributor.

TI Designs and Reference Designs

The [TI Designs Reference Design Library](#) is a robust reference design library spanning analog, embedded processor, and connectivity. Created by TI experts to help you jumpstart your system design, all TI Designs include schematic or block diagrams, BOMs, and design files to speed your time to market.

12.1.2 Firmware Updates

TI updates features in the service pack for this module with no published schedule. Due to the ongoing changes, TI recommends that the user has the latest service pack in his or her module for production. To stay informed, sign up for the SDK Alert Me button on the tools page or www.ti.com/tool/cc3200sdk .

12.2 Device Nomenclature

To designate the stages in the product development cycle, TI assigns prefixes to the part numbers of the CC3200MOD and support tools (see [Figure 12-1](#)).

To designate the stages in the product development cycle, TI assigns prefixes to the part numbers of all microprocessors (MPUs) and support tools. Each device has one of three prefixes: X, P, or null (no prefix) (for example, *CC3200MOD*). Texas Instruments recommends two of three possible prefix designators for its support tools: TMDX and TMDS. These prefixes represent evolutionary stages of product development from engineering prototypes (TMDX) through fully qualified production devices and tools (TMDS).

Device development evolutionary flow:

- X** Experimental device that is not necessarily representative of the final device's electrical specifications and may not use production assembly flow.
- P** Prototype device that is not necessarily the final silicon die and may not necessarily meet final electrical specifications.
- null** Production version of the silicon die that is fully qualified.

Support tool development evolutionary flow:

- TMDX** Development-support product that has not yet completed Texas Instruments internal qualification testing.
- TMDS** Fully-qualified development-support product.

X and P devices and TMDX development-support tools are shipped against the following disclaimer:

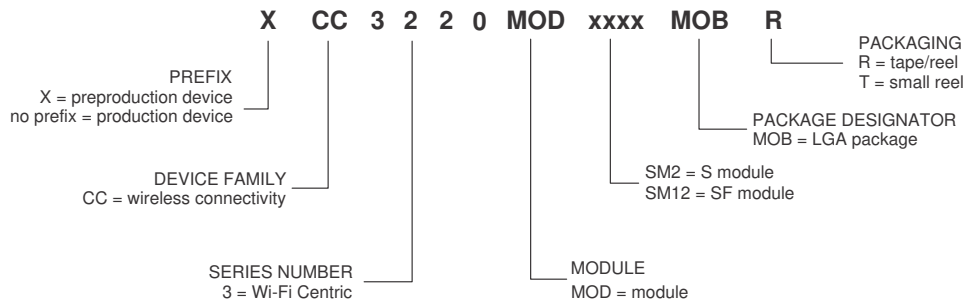


图 12-1. CC3200MOD Module Nomenclature

For orderable part numbers of CC3200MOD devices in the QFM package type, see [Section 13.2](#), see ti.com, or contact your TI sales representative.

12.3 Documentation Support

The following documents describe the CC3200MOD processor and MPU. These documents are available online at www.ti.com.

[SimpleLink™ Wi-Fi® CC3200 and Internet-of-Things Solution, a Single Chip Wireless MCU Technical Reference Manual](#)

[CC3200 Peripheral Driver Library User's Guide Documentation](#)

12.4 Trademarks

Wi-Fi CERTIFIED™ is a trademark of Wi-Fi Alliance.

SimpleLink™ and Internet-on-a chip™ are trademarks of TI.

BoosterPack™ is a trademark of Texas Instruments.

Macrocell™ is a trademark of Kappa Global Inc.

Code Composer Studio™, DSP/BIOS™, and XDS™ are trademarks of Texas Instruments.

Wi-Fi® and Wi-Fi Direct® are registered trademarks of Wi-Fi Alliance.

Thumb® is a registered trademark of Arm Limited.

ZigBee® is a registered trademark of ZigBee Alliance.

所有商标均为其各自所有者的财产。

13 Mechanical, Packaging, and Orderable Information

The following pages include mechanical, packaging, and orderable information. This information is the most current data available for the designated devices. This data is subject to change without notice and revision of this document.

13.1 Mechanical Drawing

Note

Maximum height of the module is 2.45 mm, because it includes a paper label on the top side.
 [1.5 + 0.88 + 0.07].

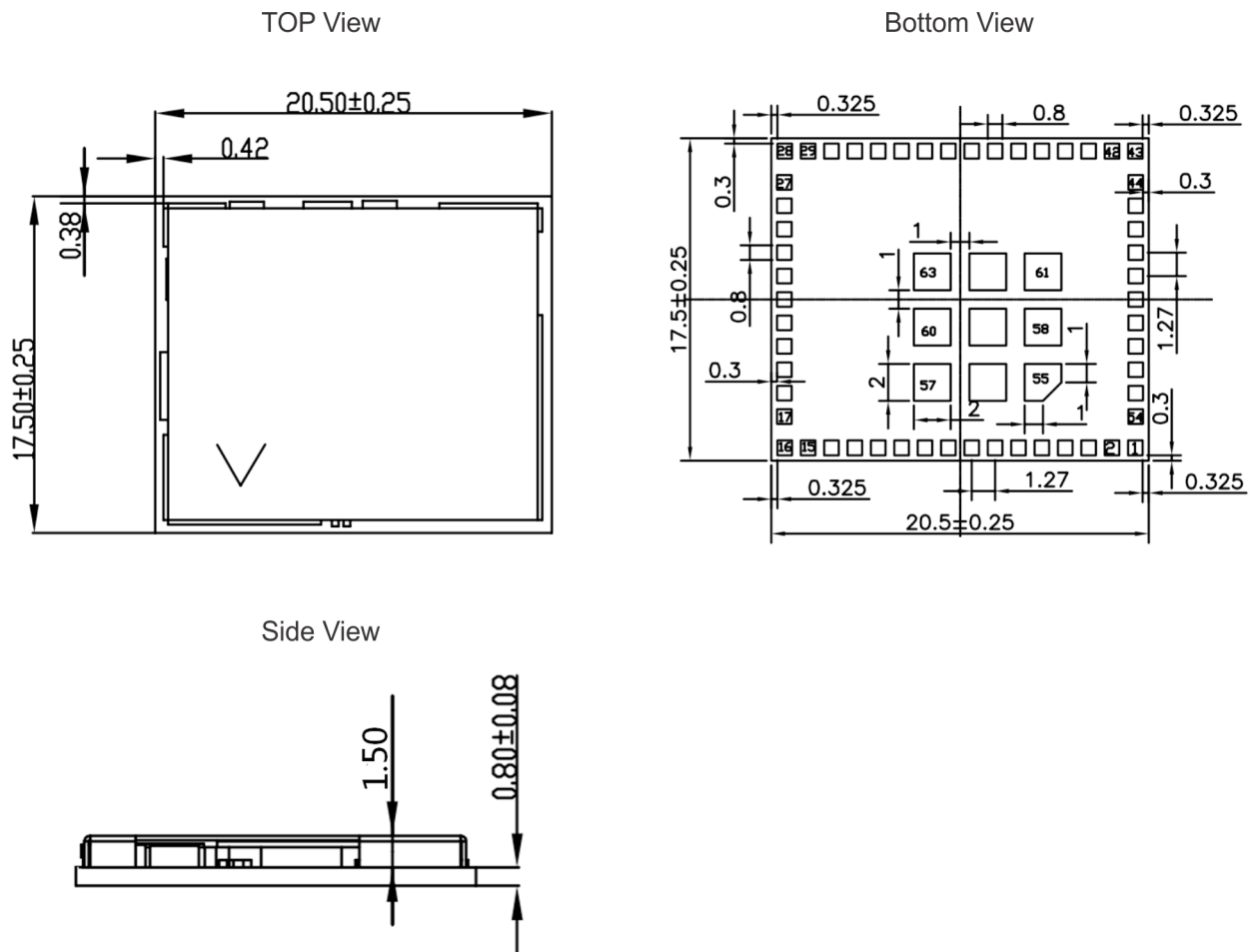


图 13-1. Mechanical Drawing

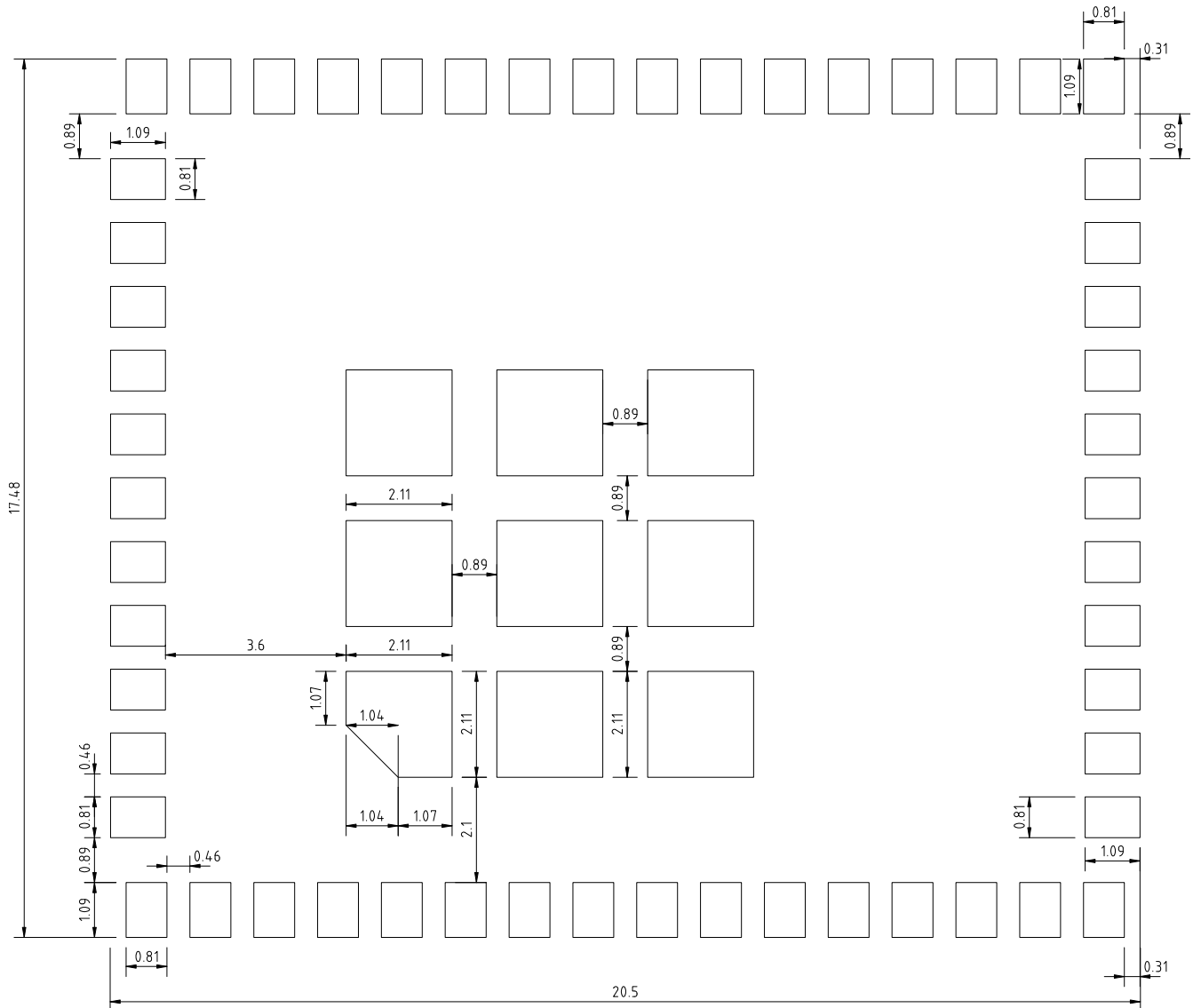


图 13-2. Land Pattern Drawing

Note

1. All dimensions are in mm.
2. Solder mask should be the same or 5% larger than the dimension of the pad
3. Solder paste must be the same as the pin for all peripheral pads. For ground pins, make the solder paste 20% smaller than the pad.

13.2 Package Option

We offer two reel size options for flexibility: a 750-unit reel and a 250-unit reel.

13.2.1 Packaging Information

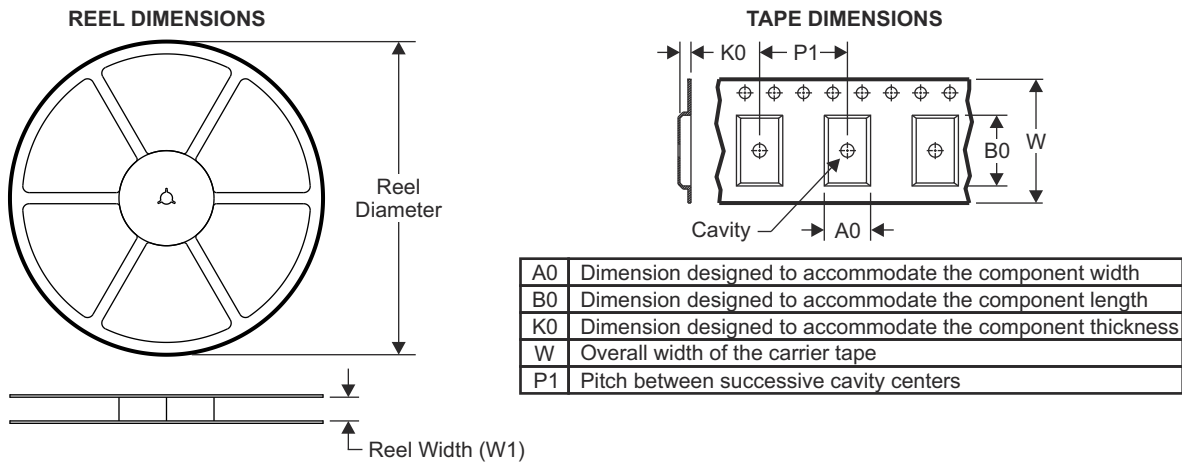
Orderable Device	Status (1)	Package Drawing	Pins	Package Qty	Eco Plan (2)	Lead/Ball Finish	MSL, Peak Temp (3)	Op Temp (°C)	Device Marking(4) (5)
CC3200MODR1M2AMOBR	ACTIVE	MOB	63	750	RoHS Exempt	Ni Au	3, 250°C	- 20 to 70	CC3200MODR1M2AMOB
CC3200MODR1M2AMOBT	ACTIVE	MOB	63	250	RoHS Exempt	Ni Au	3, 250°C	- 20 to 70	CC3200MODR1M2AMOB

- (1) The marketing status values are defined as follows:
ACTIVE: Product device recommended for new designs.
LIFEBUY: TI has announced that the device will be discontinued, and a lifetime-buy period is in effect.
NRND: Not recommended for new designs. Device is in production to support existing customers, but TI does not recommend using this part in a new design.
PRE_PROD Unannounced device, not in production, not available for mass market, nor on the web, samples not available.
PREVIEW: Device has been announced but is not in production. Samples may or may not be available.
OBSOLETE: TI has discontinued the production of the device.
- (2) Eco Plan - The planned eco-friendly classification: Pb-Free (RoHS), Pb-Free (RoHS Exempt), or Green (RoHS & no Sb/Br) - please check <http://www.ti.com/productcontent> for the latest availability information and additional product content details.
Pb-Free (RoHS): TI's terms "Lead-Free" or "Pb-Free" mean semiconductor products that are compatible with the current RoHS requirements for all 6 substances, including the requirement that lead not exceed 0.1% by weight in homogeneous materials. Where designed to be soldered at high temperatures, TI Pb-Free products are suitable for use in specified lead-free processes.
Pb-Free (RoHS Exempt): This component has a RoHS exemption for either 1) lead-based flip-chip solder bumps used between the die and package, or 2) lead-based die adhesive used between the die and leadframe. The component is otherwise considered Pb-Free (RoHS compatible) as defined above.
Green (RoHS & no Sb/Br): TI defines "Green" to mean Pb-Free (RoHS compatible), and free of Bromine (Br) and Antimony (Sb) based flame retardants (Br or Sb do not exceed 0.1% by weight in homogeneous material)
- (3) MSL, Peak Temp. -- The Moisture Sensitivity Level rating according to the JEDEC industry standard classifications, and peak solder temperature.
- (4) There may be additional marking, which relates to the logo, the lot trace code information, or the environmental category on the device
- (5) Multiple Device markings will be inside parentheses. Only on Device Marking contained in parentheses and separated by a "~" will appear on a device. If a line is indented then it is a continuation of the previous line and the two combined represent the entire Device Marking for that device.

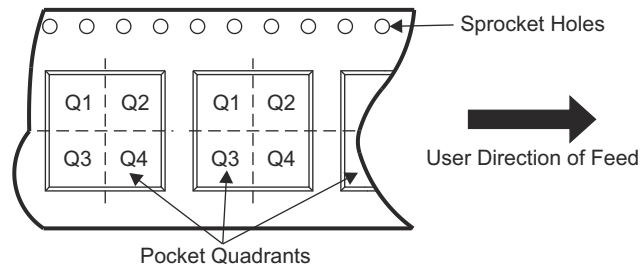
Important Information and Disclaimer: The information provided on this page represents TI's knowledge and belief as of the date that it is provided. TI bases its knowledge and belief on information provided by third parties, and makes no representation or warranty as to the accuracy of such information. Efforts are underway to better integrate information from third parties. TI has taken and continues to take reasonable steps to provide representative and accurate information but may not have conducted destructive testing or chemical analysis on incoming materials and chemicals. TI and TI suppliers consider certain information to be proprietary, and thus CAS numbers and other limited information may not be available for release.

In no event shall TI's liability arising out of such information exceed the total purchase price of the TI part(s) at issue in this document sold by TI to Customer on an annual basis.

13.2.2 Tape and Reel Information

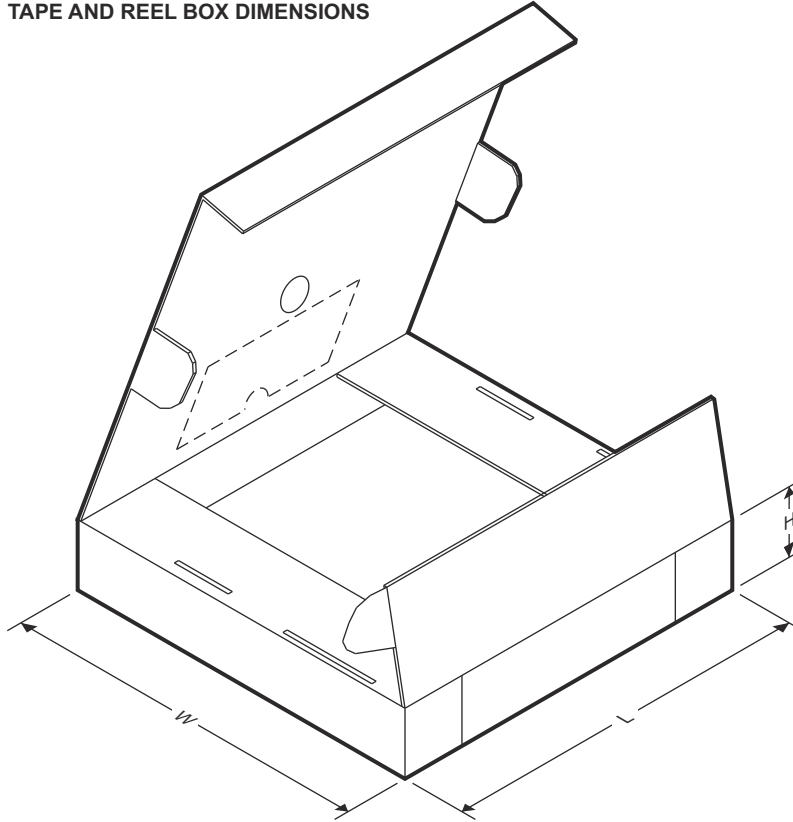


QUADRANT ASSIGNMENTS FOR PIN 1 ORIENTATION IN TAPE



Device	Package Drawing	Pins	SPQ	Reel Diameter (mm)	Reel Width W1 (mm)	A0 (mm)	B0 (mm)	K0 (mm)	P1 (mm)	W (mm)	Pin1 Quadrant
CC3200MODR1M2AMOB R	MOB	63	750	330.0±2.0	44.0	17.85±0.10	20.85±0.10	2.50±0.10	24.00±0.10	44.00±0.30	Q1
CC3200MODR1M2AMOB T	MOB	63	250	330.0±2.0	44.0	17.85±0.10	20.85±0.10	2.50±0.10	24.00±0.10	44.00±0.30	Q1

TAPE AND REEL BOX DIMENSIONS



Device	Package Drawing	Pins	SPQ	Length (mm)	Width (mm)	Height (mm)
CC3200MODR1M2AMOBR	MOB	63	750	354.0	354.0	55.0
CC3200MODR1M2AMOBT	MOB	63	250	354.0	354.0	55.0

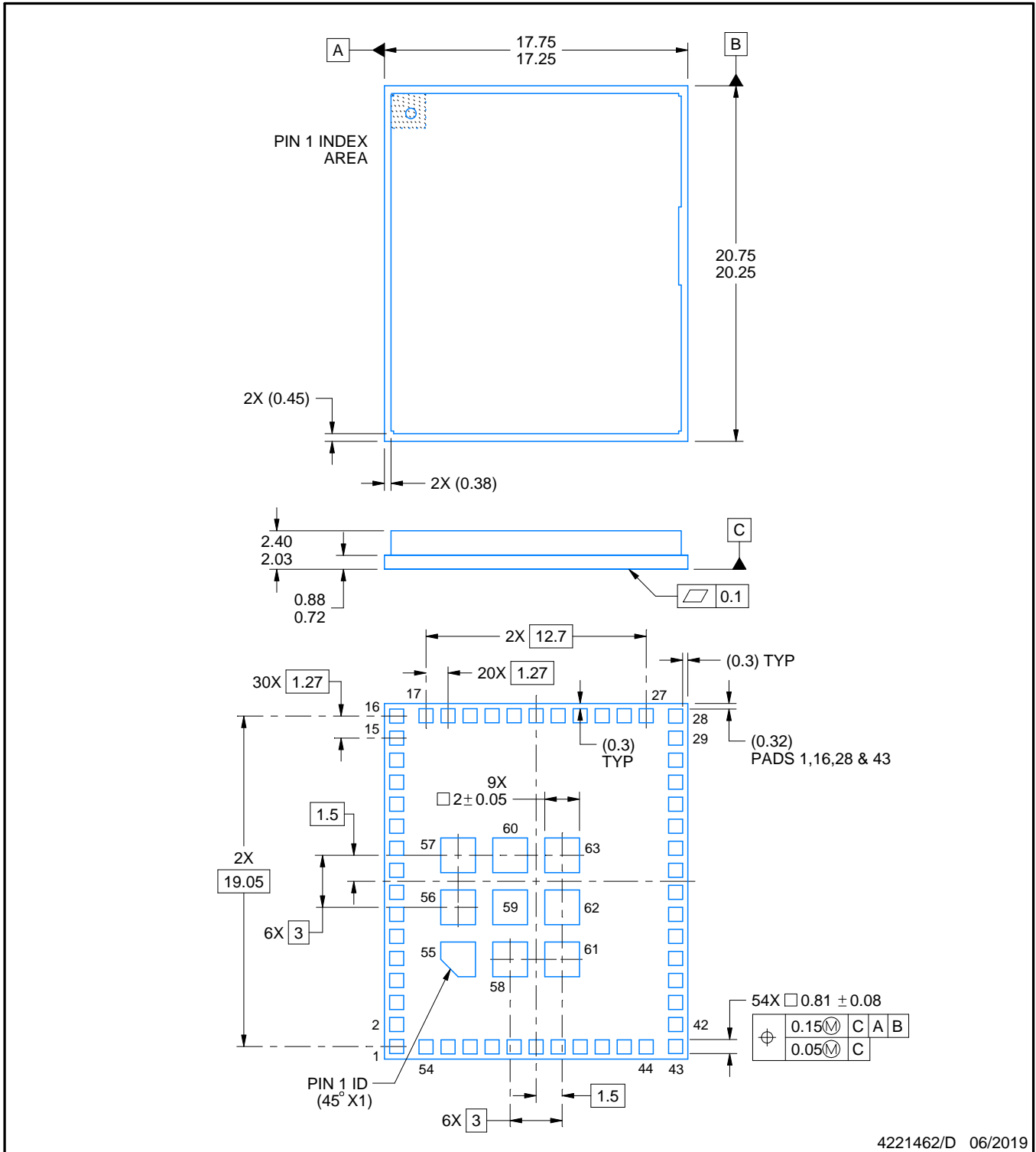
重要声明和免责声明

TI 提供技术和可靠性数据 (包括数据表)、设计资源 (包括参考设计)、应用或其他设计建议、网络工具、安全信息和其他资源, 不保证没有瑕疵且不做任何明示或暗示的担保, 包括但不限于对适销性、某特定用途方面的适用性或不侵犯任何第三方知识产权的暗示担保。

这些资源可供使用 TI 产品进行设计的熟练开发人员使用。您将独自承担以下全部责任: (1) 针对您的应用选择合适的 TI 产品, (2) 设计、验证并测试您的应用, (3) 确保您的应用满足相应标准以及任何其他安全、安保或其他要求。这些资源如有变更, 恕不另行通知。TI 授权您仅可将这些资源用于研发本资源所述的 TI 产品的应用。严禁对这些资源进行其他复制或展示。您无权使用任何其他 TI 知识产权或任何第三方知识产权。您应全额赔偿因在这些资源的使用中对 TI 及其代表造成的任何索赔、损害、成本、损失和债务, TI 对此概不负责。

TI 提供的产品受 TI 的销售条款 () 或 Ti.com.cn 上其他适用条款/TI 产品随附的其他适用条款的约束。TI 提供这些资源并不会扩展或以其他方式更改 TI 针对 TI 产品发布的适用的担保或担保免责声明。

邮寄地址: Texas Instruments, Post Office Box 655303, Dallas, Texas 75265
Copyright © 2020, 德州仪器 (TI) 公司



4221462/D 06/2019

NOTES:

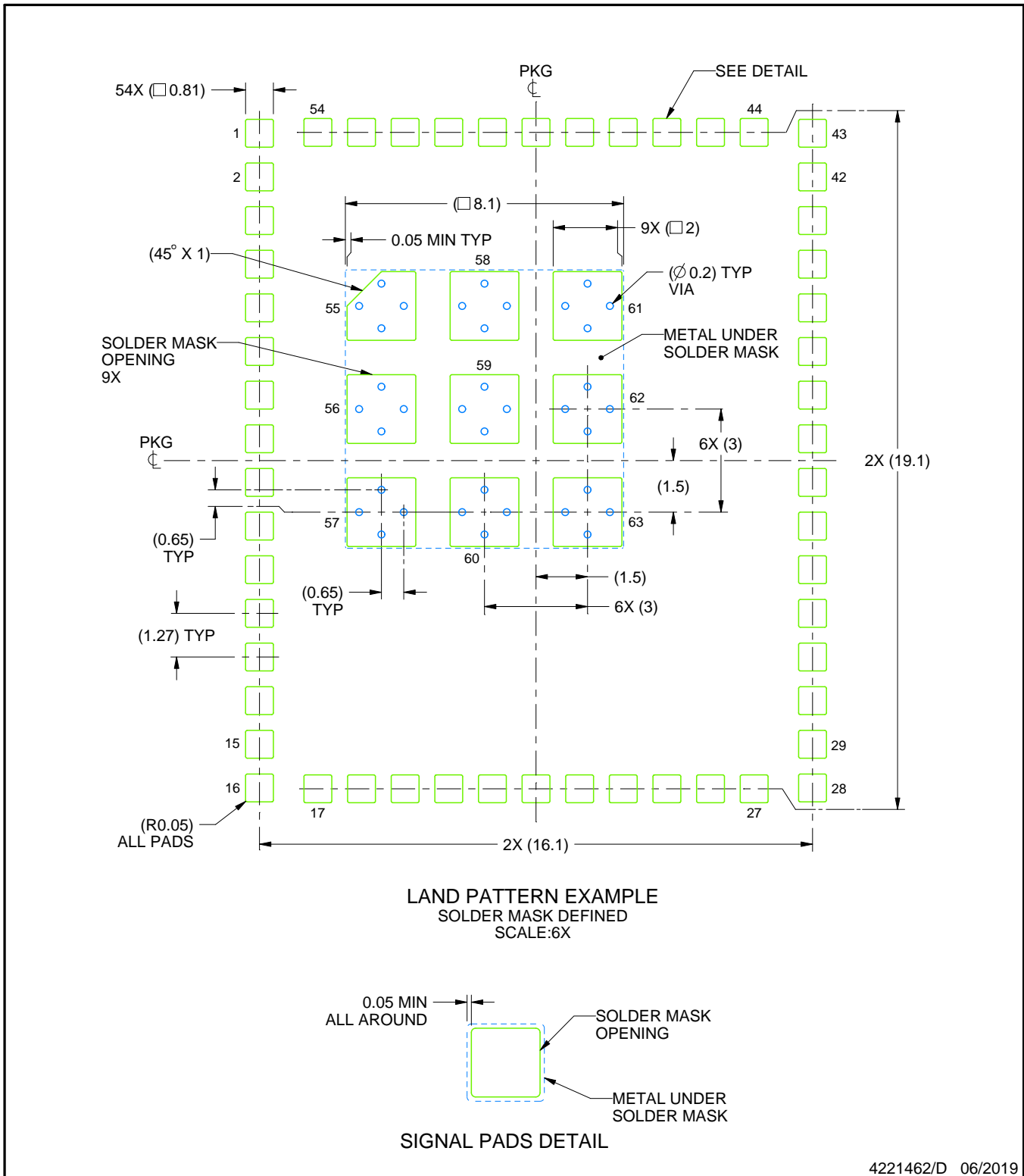
1. All linear dimensions are in millimeters. Any dimensions in parenthesis are for reference only. Dimensioning and tolerancing per ASME Y14.5M.
2. This drawing is subject to change without notice.

EXAMPLE BOARD LAYOUT

MOB0063A

QFM - 2.4 mm max height

QUAD FLAT MODULE



4221462/D 06/2019

NOTES: (continued)

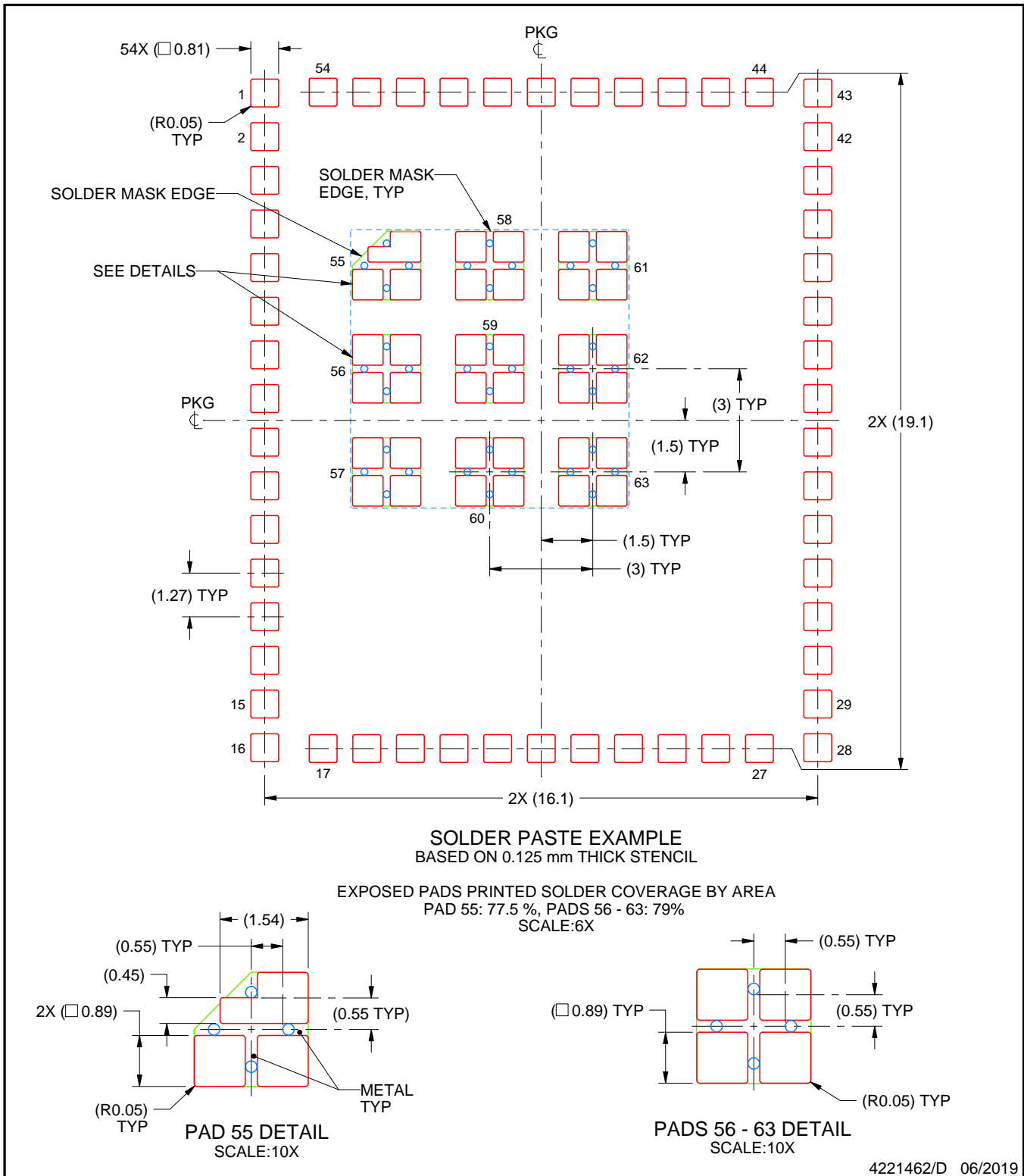
3. This package is designed to be soldered to a thermal pad on the board. For more information, see Texas Instruments literature number SLUA271 (www.ti.com/lit/slua271).

EXAMPLE STENCIL DESIGN

MOB0063A

QFM - 2.4 mm max height

QUAD FLAT MODULE



NOTES: (continued)

4. Laser cutting apertures with trapezoidal walls and rounded corners may offer better paste release. IPC-7525 may have alternate design recommendations.

重要声明和免责声明

TI 提供技术和可靠性数据（包括数据表）、设计资源（包括参考设计）、应用或其他设计建议、网络工具、安全信息和其他资源，不保证没有瑕疵且不做任何明示或暗示的担保，包括但不限于对适销性、某特定用途方面的适用性或不侵犯任何第三方知识产权的暗示担保。

这些资源可供使用 TI 产品进行设计的熟练开发人员使用。您将自行承担以下全部责任：(1) 针对您的应用选择合适的 TI 产品，(2) 设计、验证并测试您的应用，(3) 确保您的应用满足相应标准以及任何其他安全、安保或其他要求。这些资源如有变更，恕不另行通知。TI 授权您仅可将这些资源用于研发本资源所述的 TI 产品的应用。严禁对这些资源进行其他复制或展示。您无权使用任何其他 TI 知识产权或任何第三方知识产权。您应全额赔偿因在这些资源的使用中对 TI 及其代表造成的任何索赔、损害、成本、损失和债务，TI 对此概不负责。

TI 提供的产品受 TI 的销售条款 (<https://www.ti.com.cn/zh-cn/legal/termsofsale.html>) 或 [ti.com.cn](https://www.ti.com.cn) 上其他适用条款/TI 产品随附的其他适用条款的约束。TI 提供这些资源并不会扩展或以其他方式更改 TI 针对 TI 产品发布的适用的担保或担保免责声明。

邮寄地址：上海市浦东新区世纪大道 1568 号中建大厦 32 楼，邮政编码：200122
Copyright © 2021 德州仪器半导体技术（上海）有限公司